



US00D512980S

(12) **United States Design Patent**  
**Zuehlsdorff et al.**

(10) **Patent No.:** **US D512,980 S**  
(45) **Date of Patent:** **\*\* Dec. 20, 2005**

(54) **SATELLITE RADIO**

D500,303 S \* 12/2004 Riede et al. .... D14/188  
D504,881 S \* 5/2005 Kangasmaa .... D14/188

(75) Inventors: **Sven Zuehlsdorff**, Hannover (DE);  
**Dallas Wilson**, Crest Hill, IL (US)

\* cited by examiner

(73) Assignee: **Robert Bosch Corporation**,  
Broadview, IL (US)

*Primary Examiner*—Prabhakar Deshmukh  
(74) *Attorney, Agent, or Firm*—Victor A. Henzi

(\*\*) Term: **14 Years**

(57) **CLAIM**

(21) Appl. No.: **29/213,988**

The ornamental design for a satellite radio, as shown and described.

(22) Filed: **Sep. 24, 2004**

**DESCRIPTION**

(51) **LOC (6) Cl.** ..... **14-03**

(52) **U.S. Cl.** ..... **D14/188**

(58) **Field of Search** ..... D14/188, 217,  
D14/168–172, 155, 137, 192–198; 455/344–351

FIG. 1 is a front left perspective view of the present new design for a satellite radio;  
FIG. 2 is a front elevational view thereof;  
FIG. 3 is a left elevational view thereof, the right elevational view being a mirror image thereof;  
FIG. 4 is a top plan view thereof; and,  
FIG. 5 is a bottom plan view thereof.

(56) **References Cited**

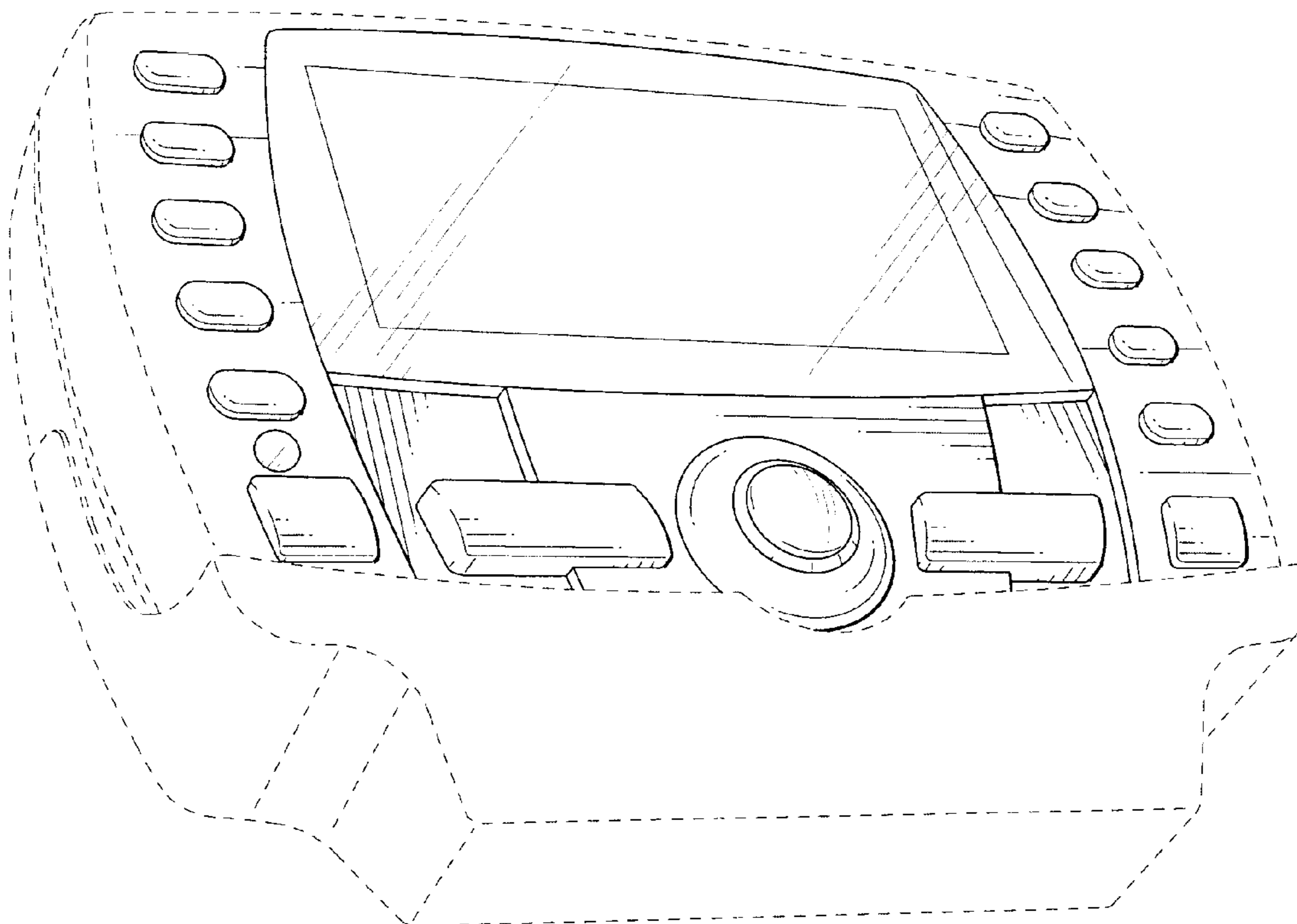
**U.S. PATENT DOCUMENTS**

5,862,468 A \* 1/1999 Kim ..... 455/321  
D416,904 S \* 11/1999 Rabbani ..... D14/188  
6,049,290 A \* 4/2000 Halstead ..... 340/7.63  
6,134,192 A \* 10/2000 Gorzelski et al. .... 369/2  
D489,354 S \* 5/2004 Esslinger et al. .... D14/188  
D492,278 S \* 6/2004 Tsuchiya ..... D14/188

The broken lines showing various features of a satellite radio are for illustrative purposes only and form no part of the claimed design.

The broken lines that define the bounds of the claimed design form no part thereof.

**1 Claim, 5 Drawing Sheets**



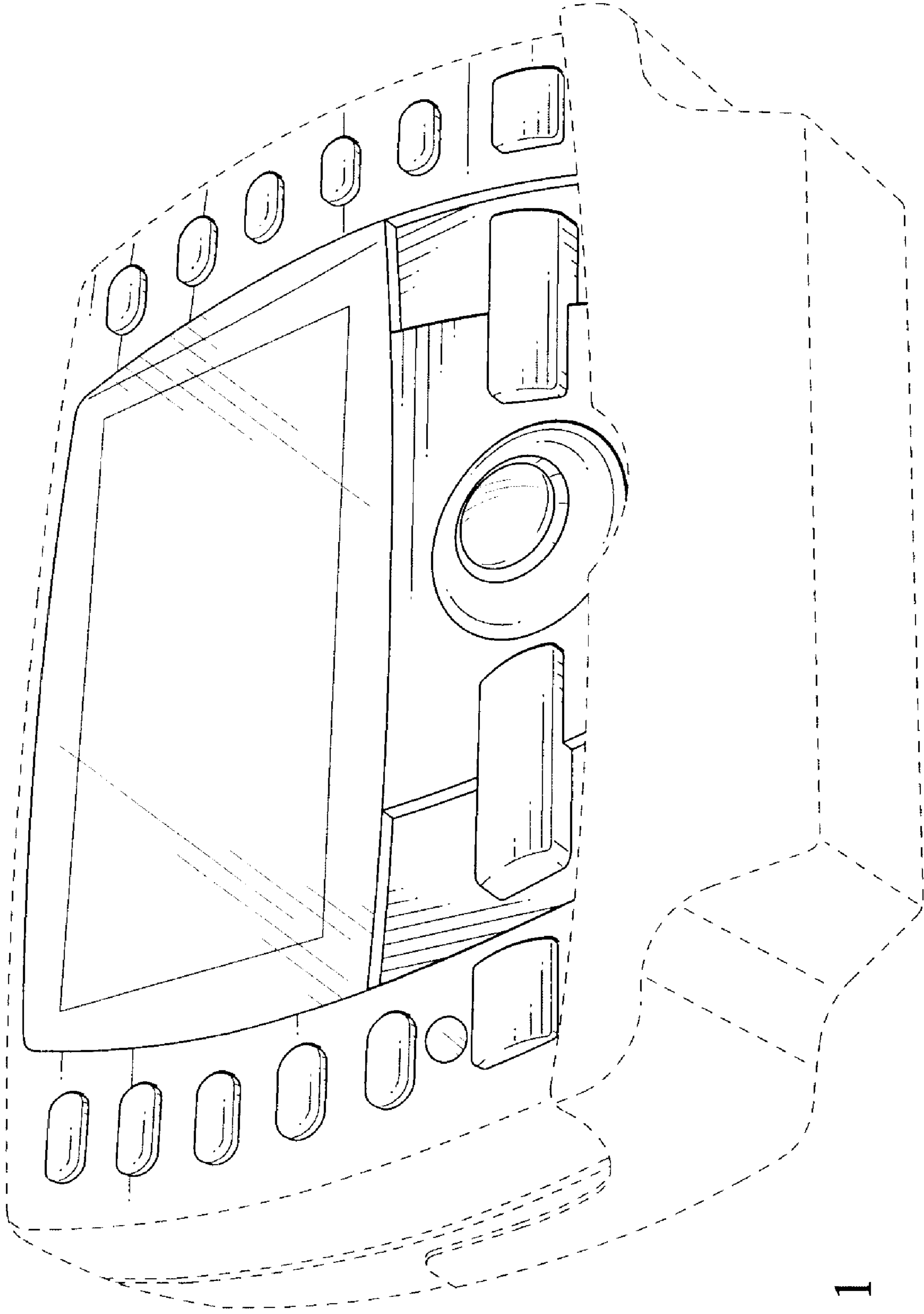


FIG. 1

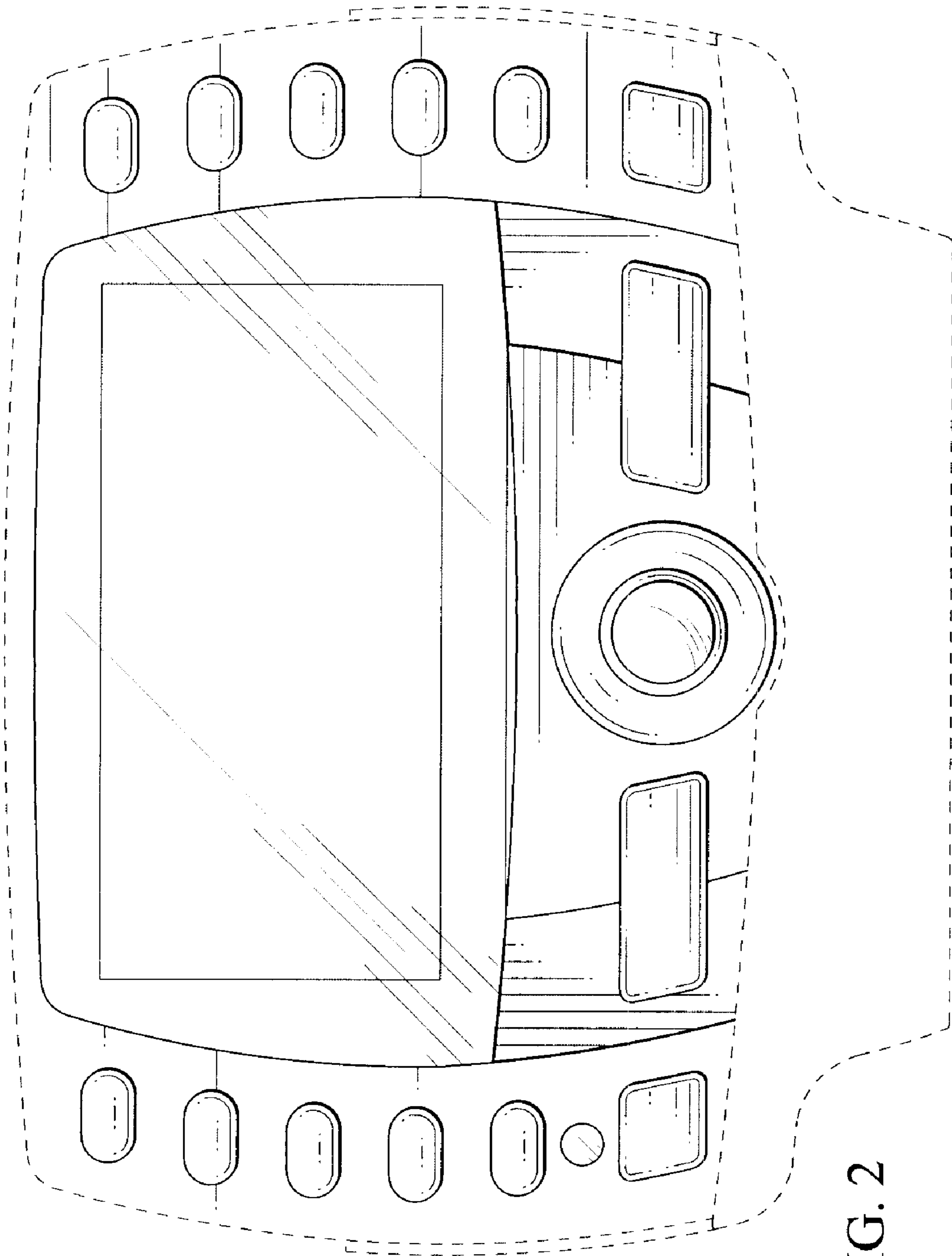


FIG. 2



FIG. 3

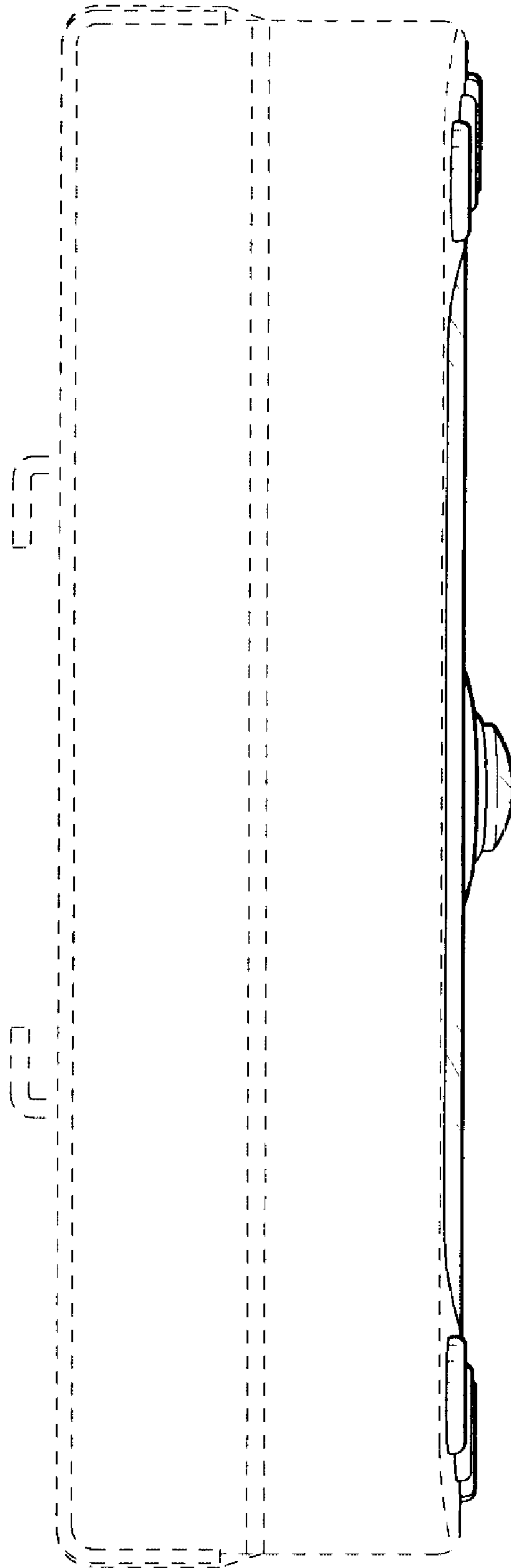


FIG. 4

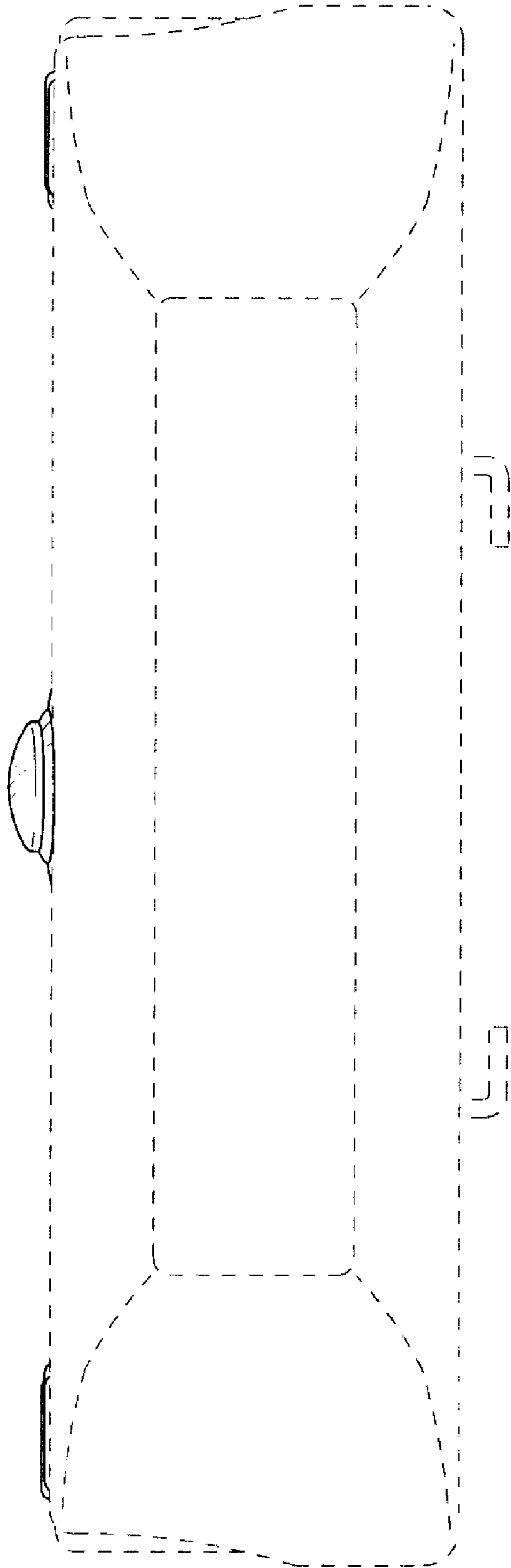


FIG. 5