



US00D512978S

(12) **United States Design Patent**
Ueda et al.

(10) **Patent No.:** **US D512,978 S**
(45) **Date of Patent:** **** Dec. 20, 2005**

(54) **COMBINED DISC PLAYER, RADIO RECEIVER AND TAPE RECORDER**

D482,015 S * 11/2003 Ng D14/168

(75) Inventors: **Arinobu Ueda**, Tokyo (JP); **Koichi Maruta**, Saitama (JP)

(73) Assignee: **Sony Corporation**, Tokyo (JP)

(**) Term: **14 Years**

(21) Appl. No.: **29/197,402**

(22) Filed: **Jan. 15, 2004**

(51) **LOC (6) Cl.** **14-01**

(52) **U.S. Cl.** **D14/168**

(58) **Field of Search** D14/135-136,
D14/160-168, 188, 195-198, 156-157,
189; 455/100, 344, 346-351; 369/75.1,
75.2, 77.2

(56) **References Cited**

U.S. PATENT DOCUMENTS

D348,461 S	*	7/1994	Peersmann	D14/195
D395,047 S	*	6/1998	Segan et al.	D14/168
D410,649 S		6/1999	Kobayashi		
D442,936 S	*	5/2001	Chan	D14/162
D469,077 S	*	1/2003	Jerome	D14/168
D475,360 S		6/2003	Yoneda et al.		

OTHER PUBLICATIONS

Web page "CFD-G70", 1 sheet, Sony (2000).
Web page "CFD-EX35", 1 sheet, Sony (2002).
Web page "CSD-A778S" www.yodobashi.com, 1 sheet,
Yodobashi Camera (Nov. 2003).

* cited by examiner

Primary Examiner—Nanda Bondade
(74) *Attorney, Agent, or Firm*—Rader, Fishman & Grauer
PLLC

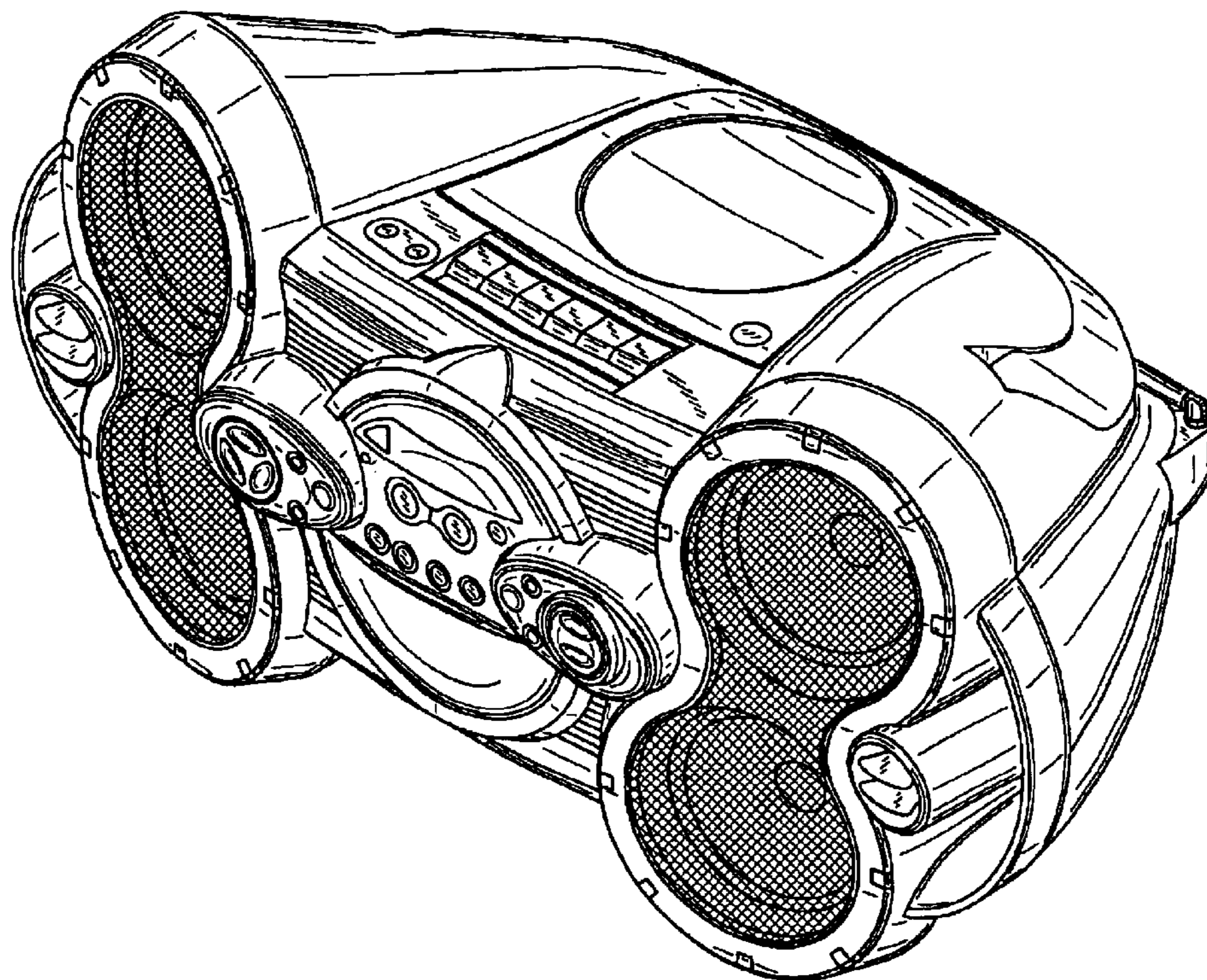
(57) **CLAIM**

The ornamental design for a combined disc player, radio receiver and tape recorder, as shown.

DESCRIPTION

FIG. 1 is a perspective view of a combined disc player, radio receiver and tape recorder showing our new design; FIG. 2 is a front elevational view thereof; FIG. 3 is a rear elevational view thereof; FIG. 4 is a left side elevational view thereof; FIG. 5 is a right side elevational view thereof; FIG. 6 is a top plan view thereof; and, FIG. 7 is a bottom plan view thereof.

1 Claim, 4 Drawing Sheets



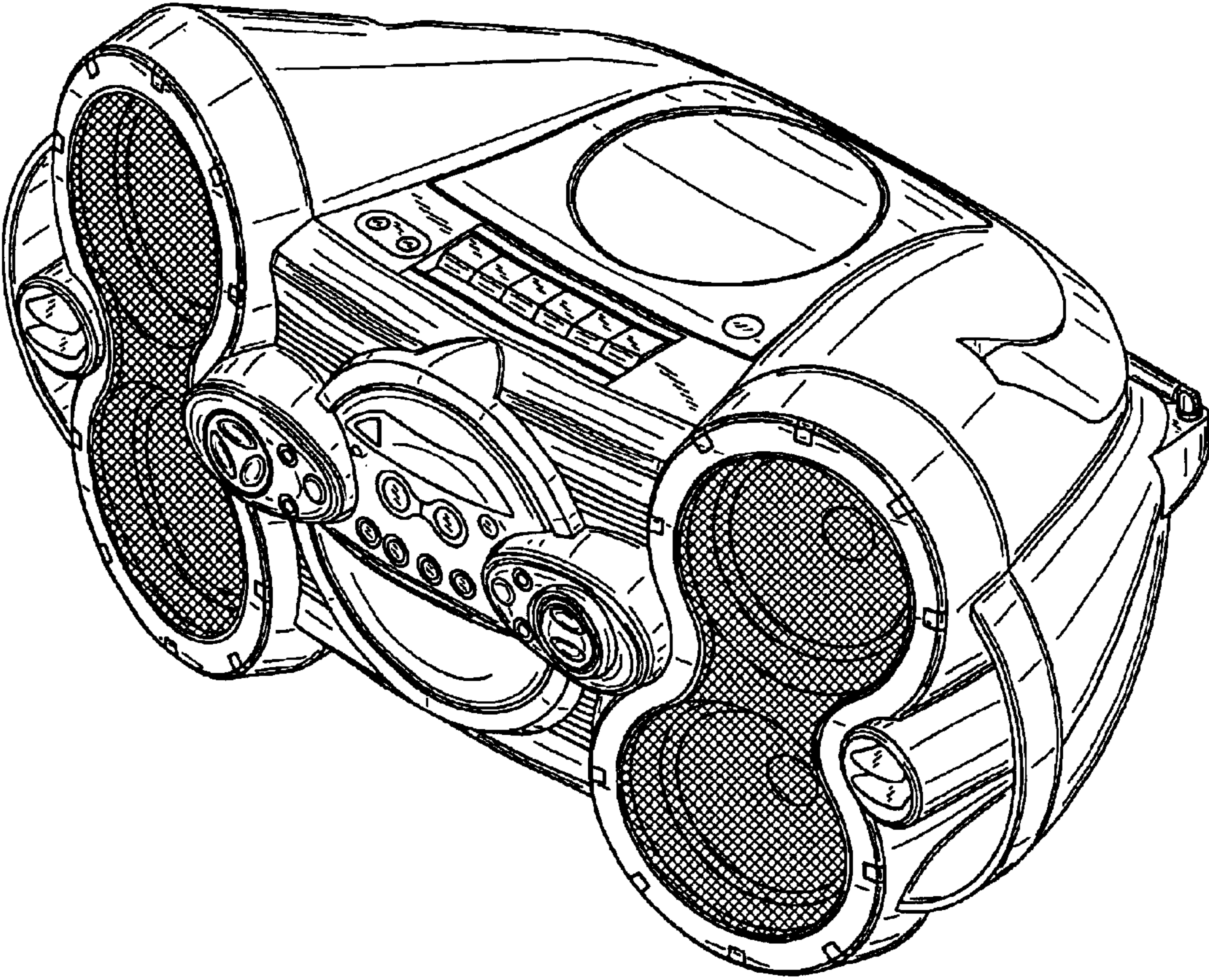


FIG. 1

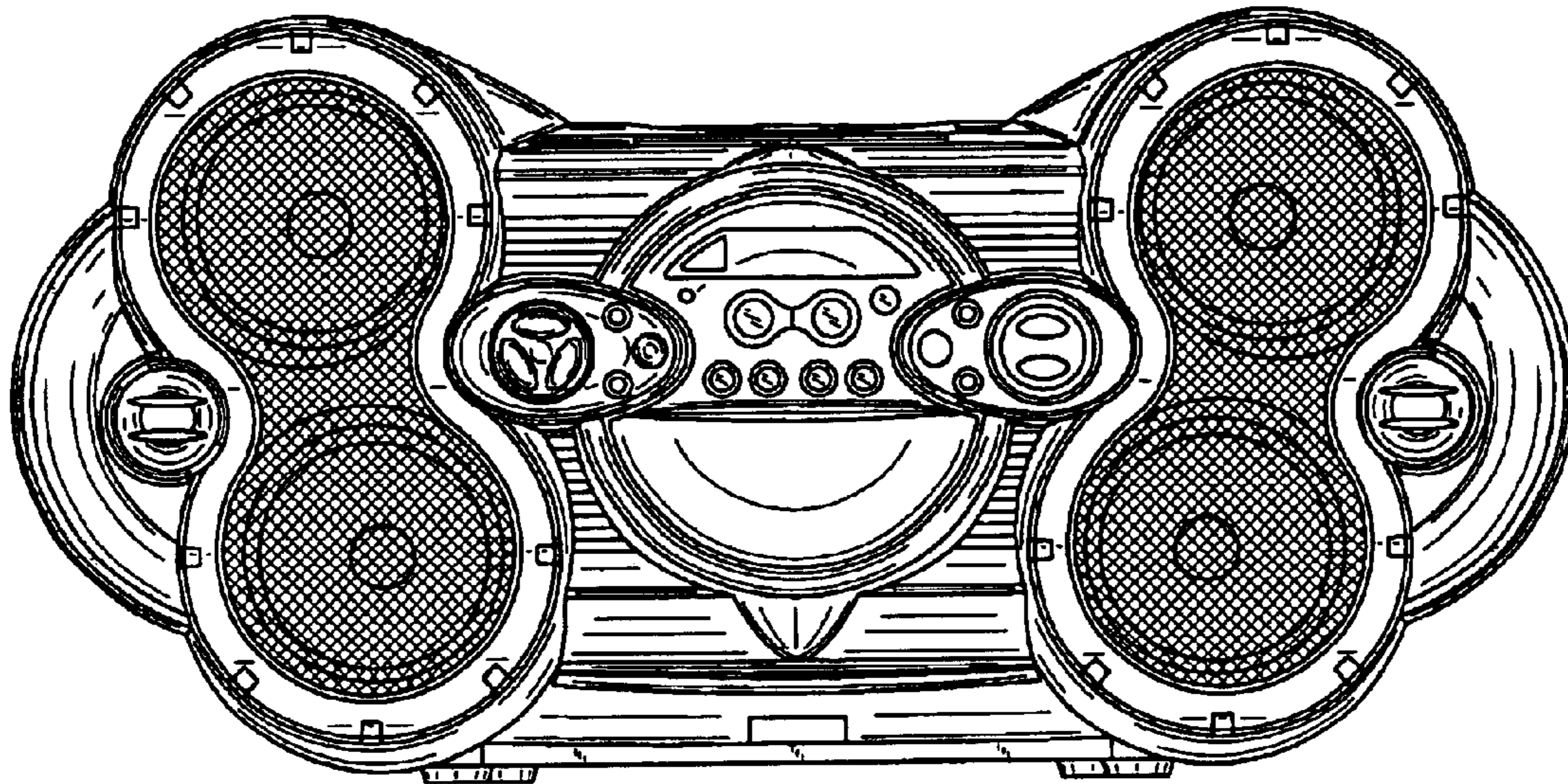


FIG. 2

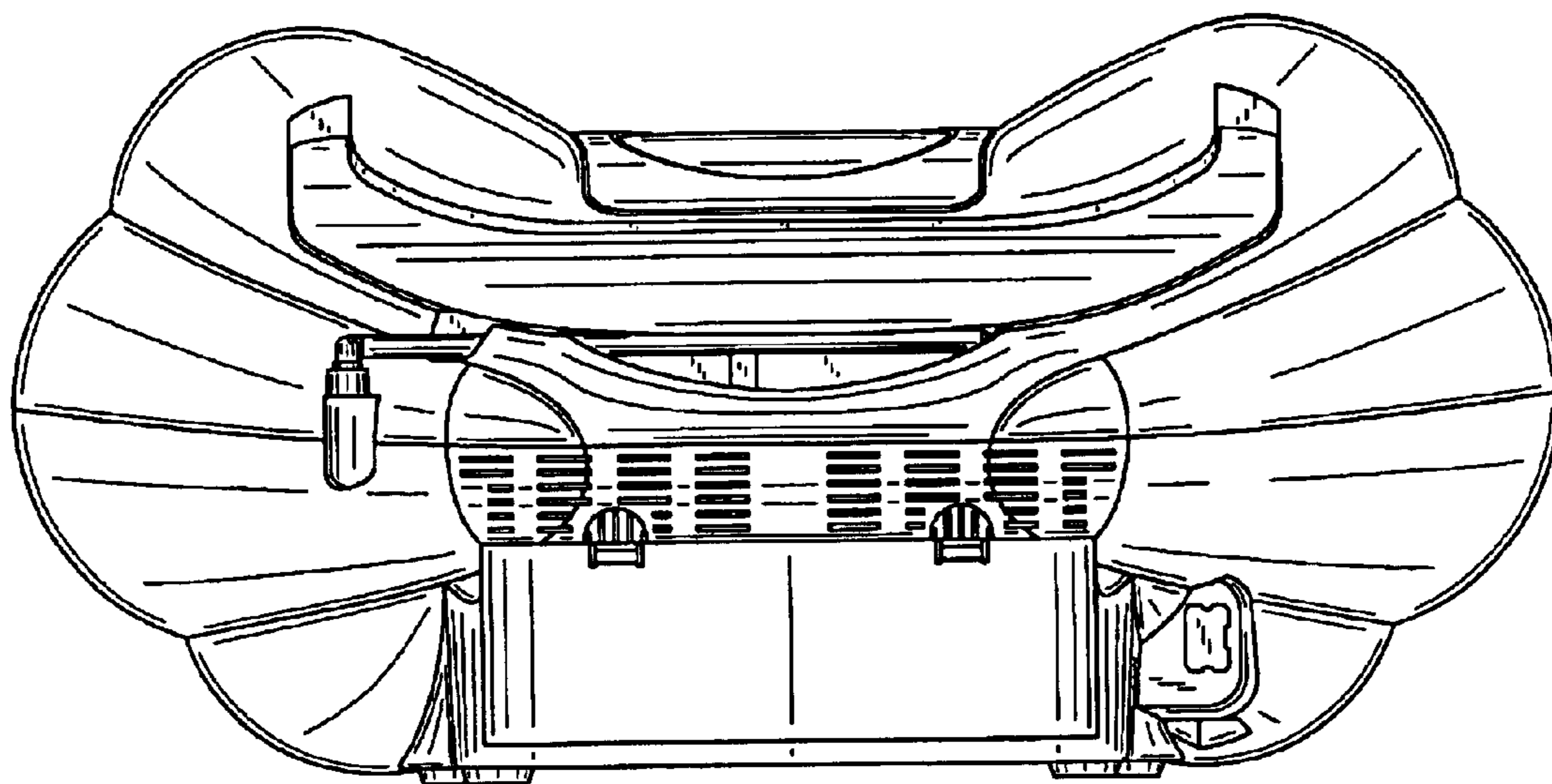


FIG. 3

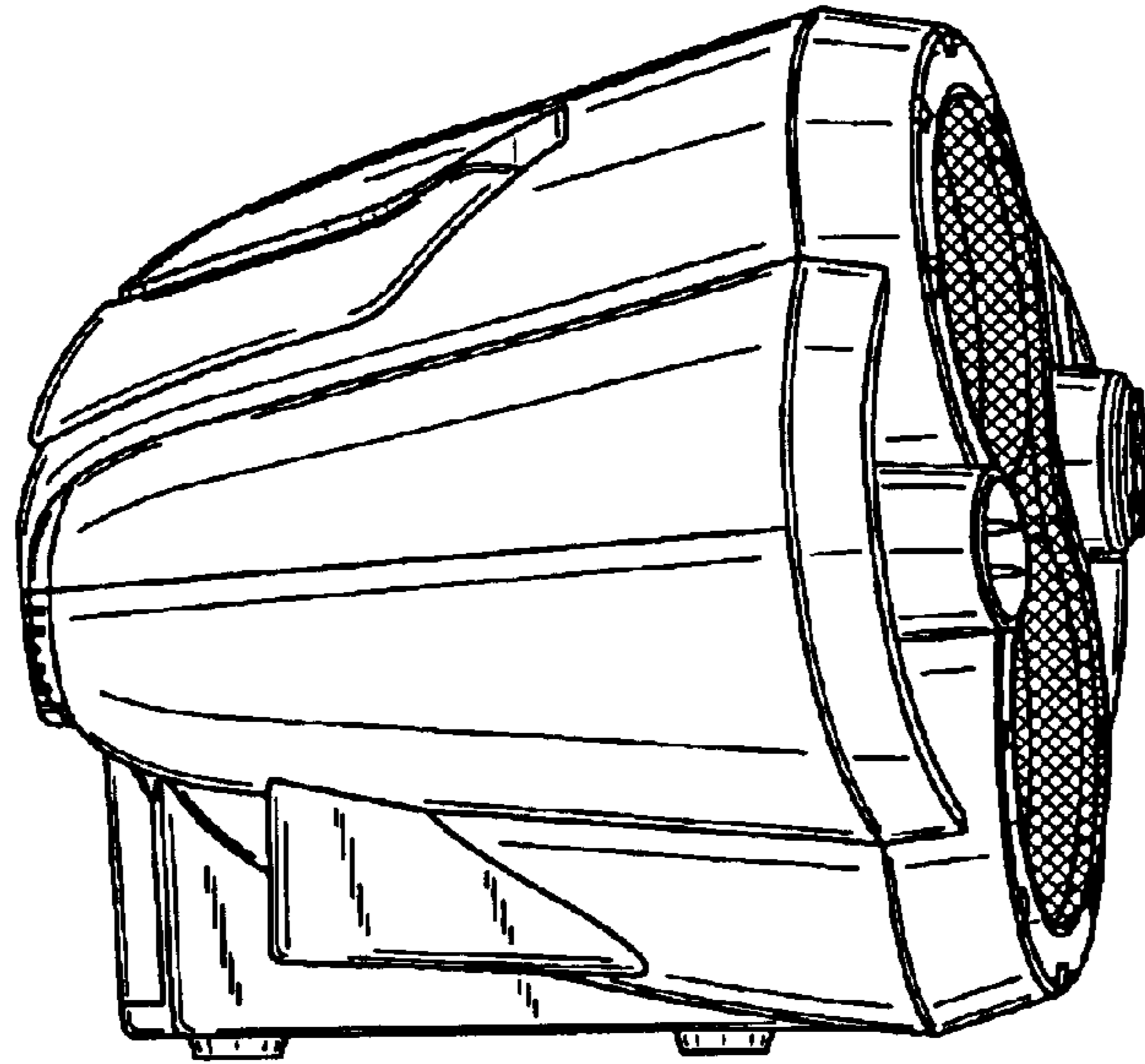


FIG. 4

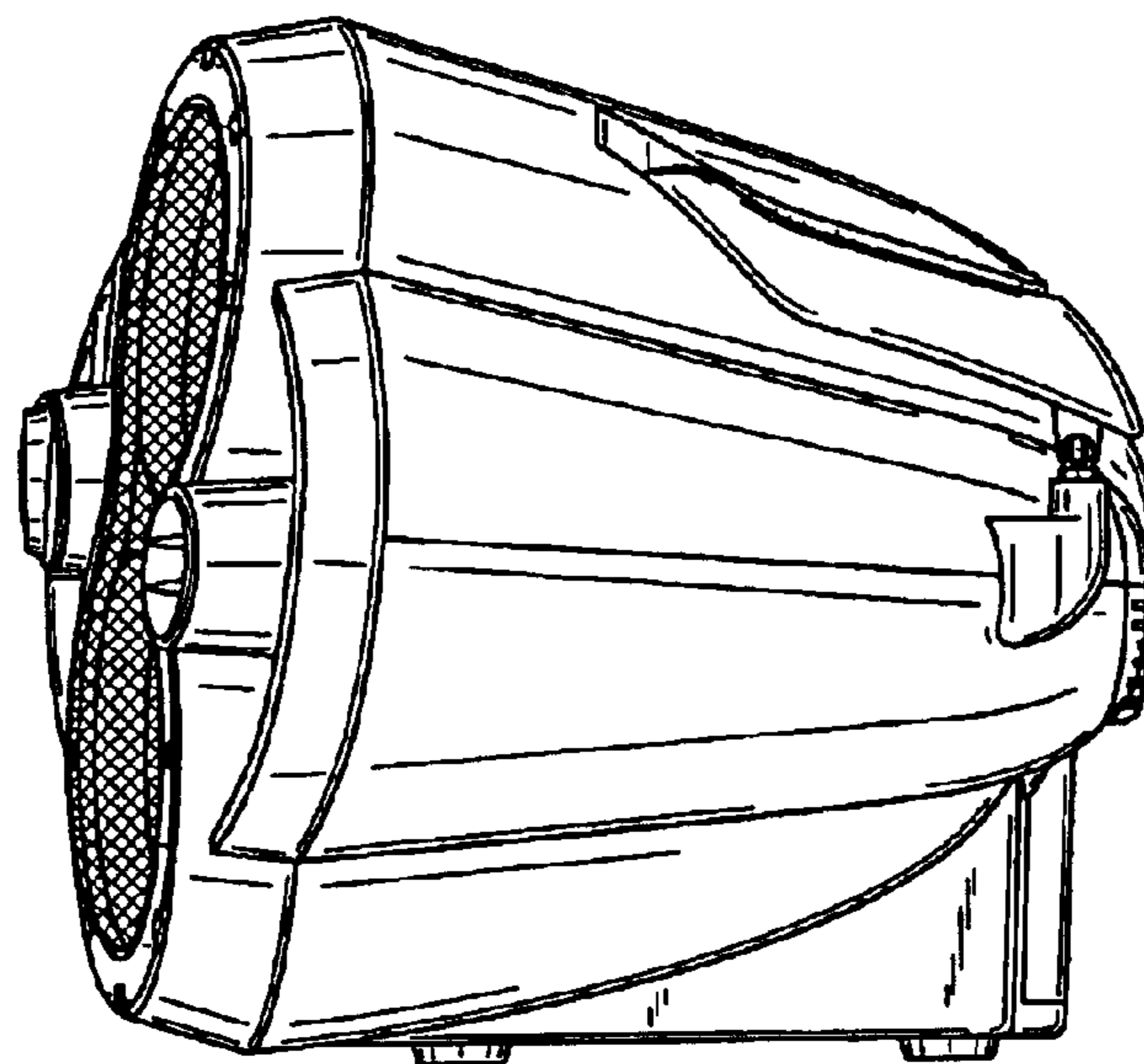


FIG. 5

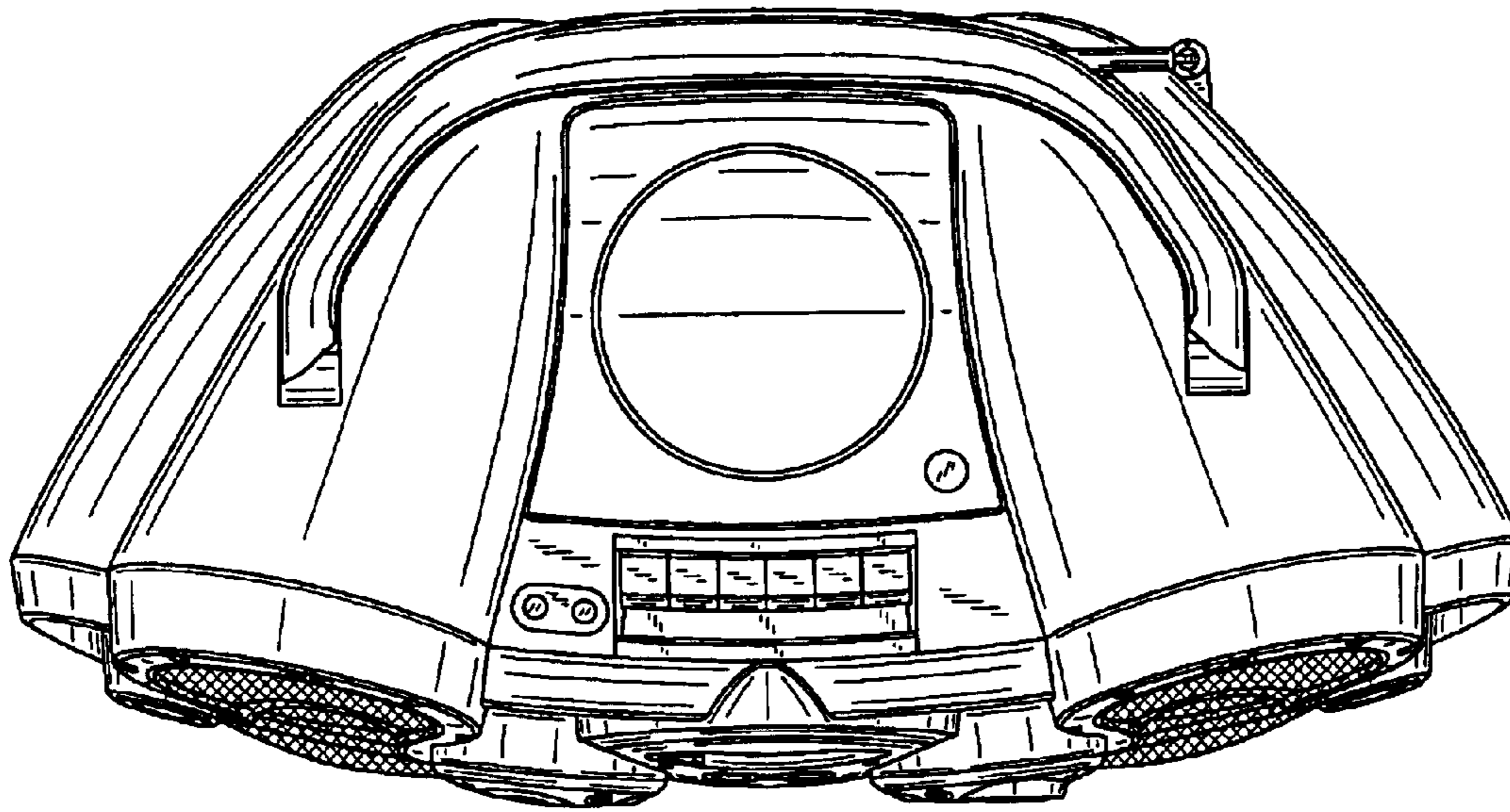


FIG. 6

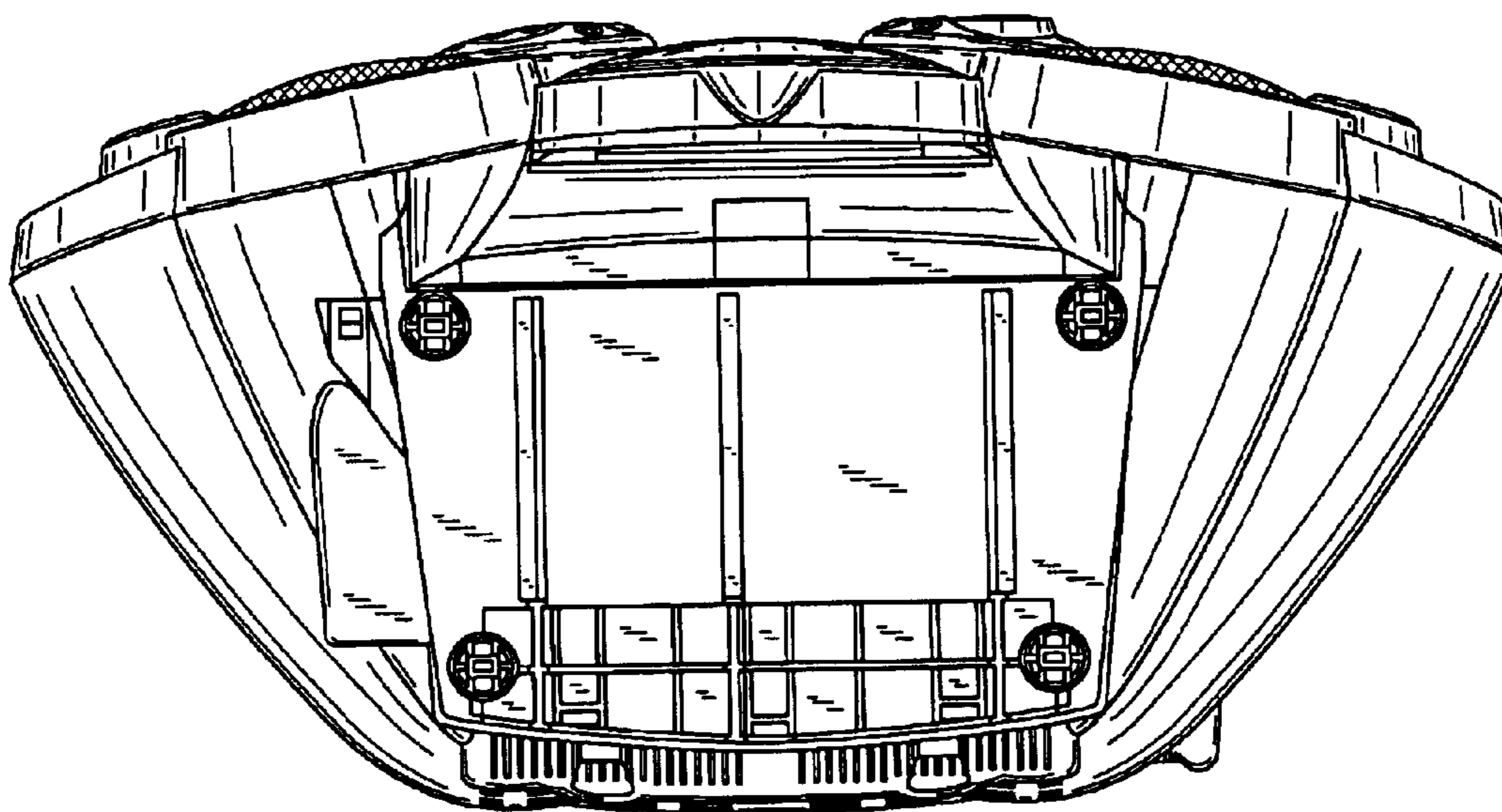


FIG. 7