

US00D512977S

(12) **United States Design Patent**
Chan

(10) **Patent No.:** **US D512,977 S**
(45) **Date of Patent:** **** Dec. 20, 2005**

(54) **DISC PLAYER**

(75) **Inventor:** **Raymond Chan, Hong Kong (HK)**

(73) **Assignee:** **IDT Sonicvision Limited, Kowloon (CN)**

(**) **Term:** **14 Years**

(21) **Appl. No.:** **29/207,982**

(22) **Filed:** **Jun. 22, 2004**

(30) **Foreign Application Priority Data**

Apr. 19, 2004 (HK) 0410809

(51) **LOC (6) Cl.** **14-01**

(52) **U.S. Cl.** **D14/156**

(58) **Field of Search** D14/135-136,
D14/156-157, 160-165, 167-168, 192-198,
188, 217, 257, 258, 445; 360/99.02, 99.07;
369/75.11, 75.21, 77.21, 77.11; 720/612,
619, 647, 655; 455/344, 347-351

(56) **References Cited**

U.S. PATENT DOCUMENTS

D244,053 S * 4/1977 Van De Poel D14/136

D408,408 S * 4/1999 Ito et al. D14/156
D415,757 S * 10/1999 Takahashi et al. D14/156
D480,372 S * 10/2003 Chen et al. D14/136
D486,813 S * 2/2004 Chun D14/156
D489,052 S * 4/2004 Shiraki et al. D14/156

* cited by examiner

Primary Examiner—Nanda Bondade

(74) *Attorney, Agent, or Firm*—Alix, Yale & Ristas, LLP

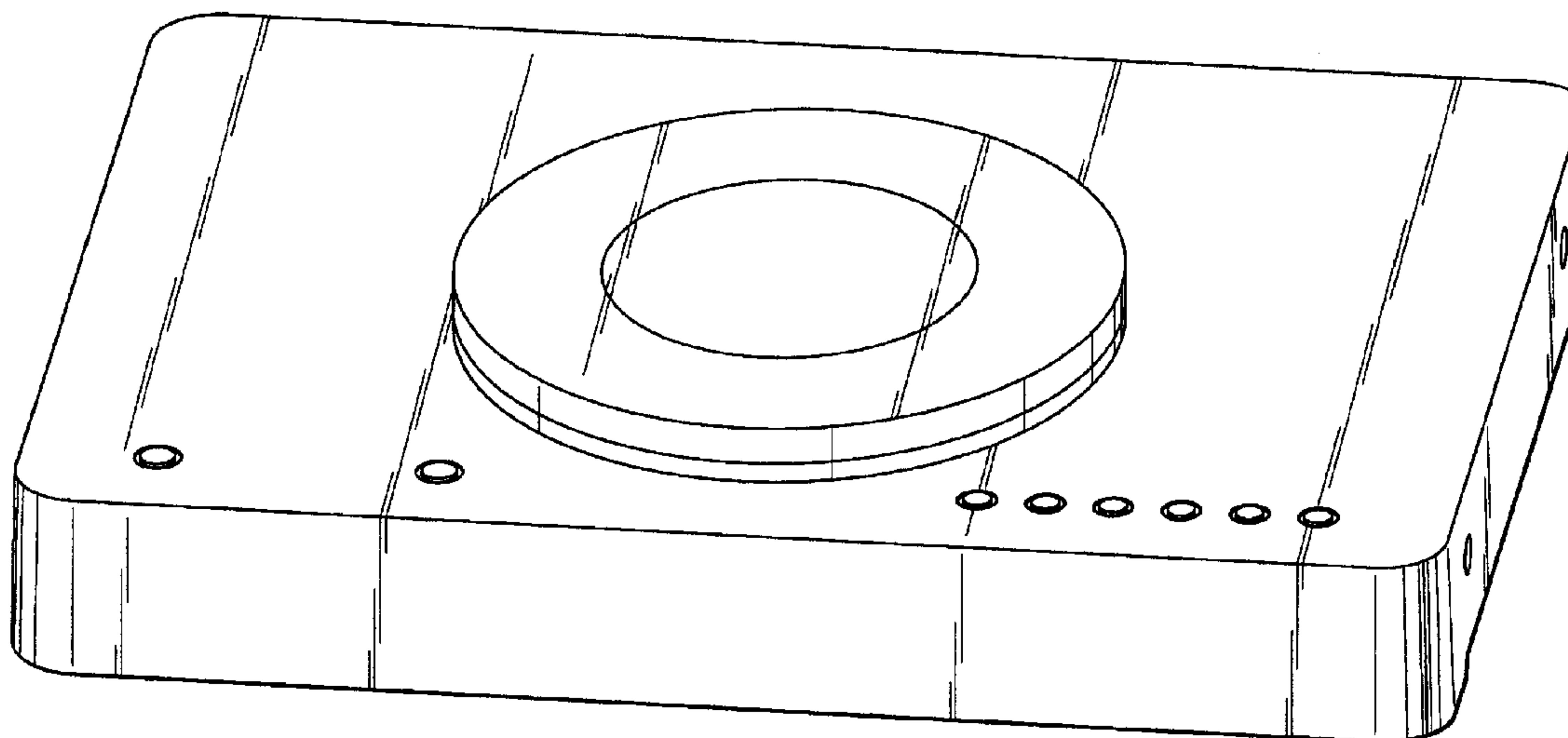
(57) **CLAIM**

The ornamental design for a disc player, as shown and described.

DESCRIPTION

FIG. 1 is a front perspective view of a disc player showing my new design;
FIG. 2 is a rear perspective view thereof;
FIG. 3 is a top plan view thereof;
FIG. 4 is a bottom plan view thereof;
FIG. 5 is a left side elevational view thereof;
FIG. 6 is a right side elevational view thereof;
FIG. 7 is a front elevational view thereof; and,
FIG. 8 is a rear elevational view thereof.

1 Claim, 6 Drawing Sheets



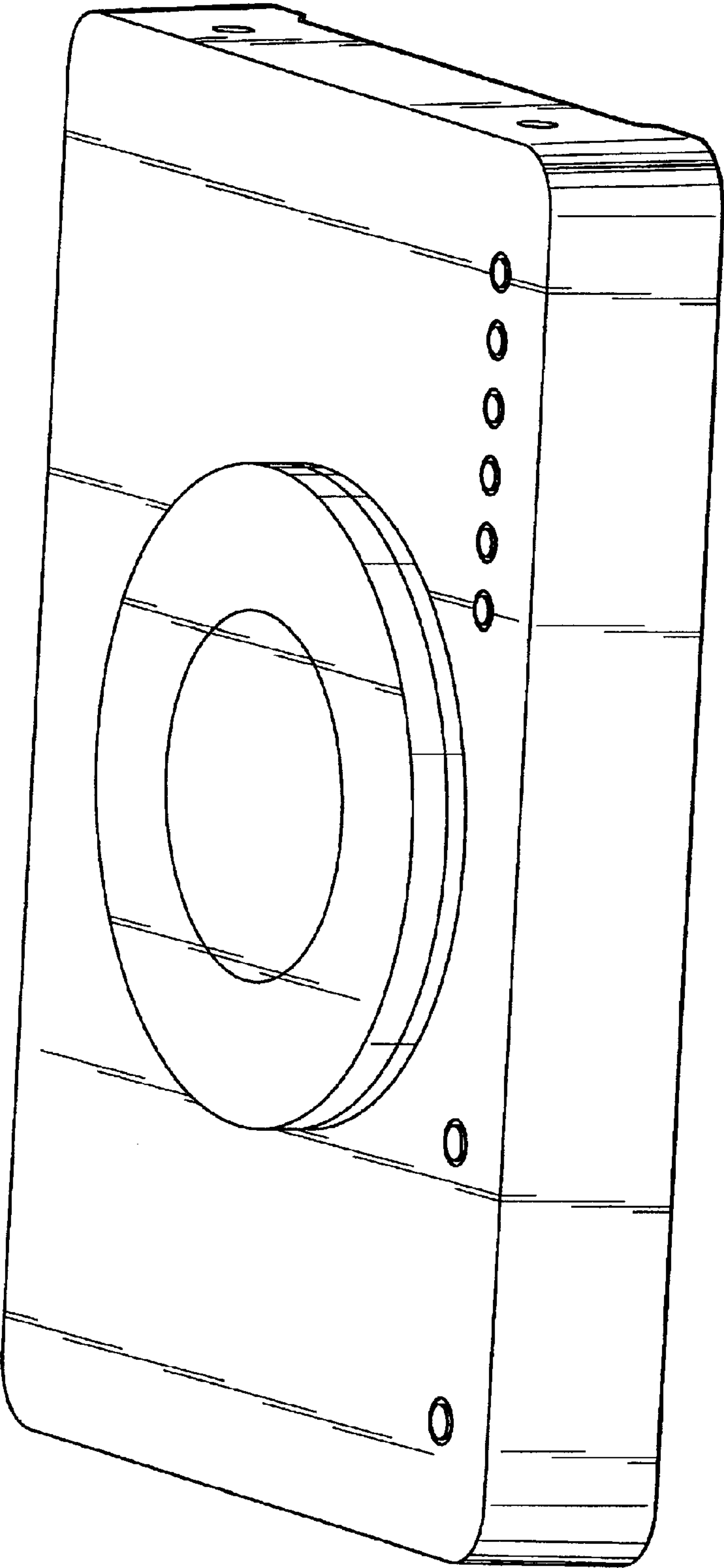


FIG. 1

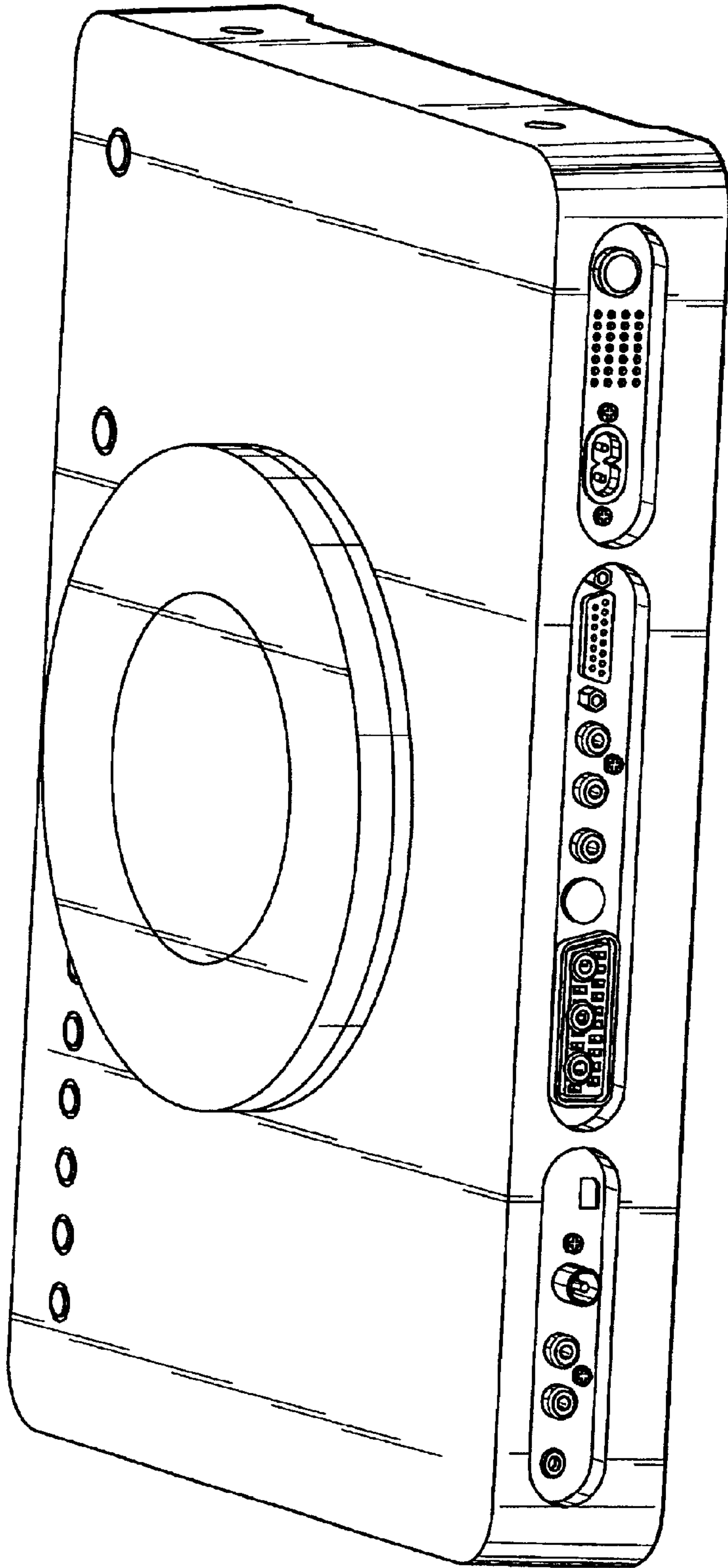


FIG. 2

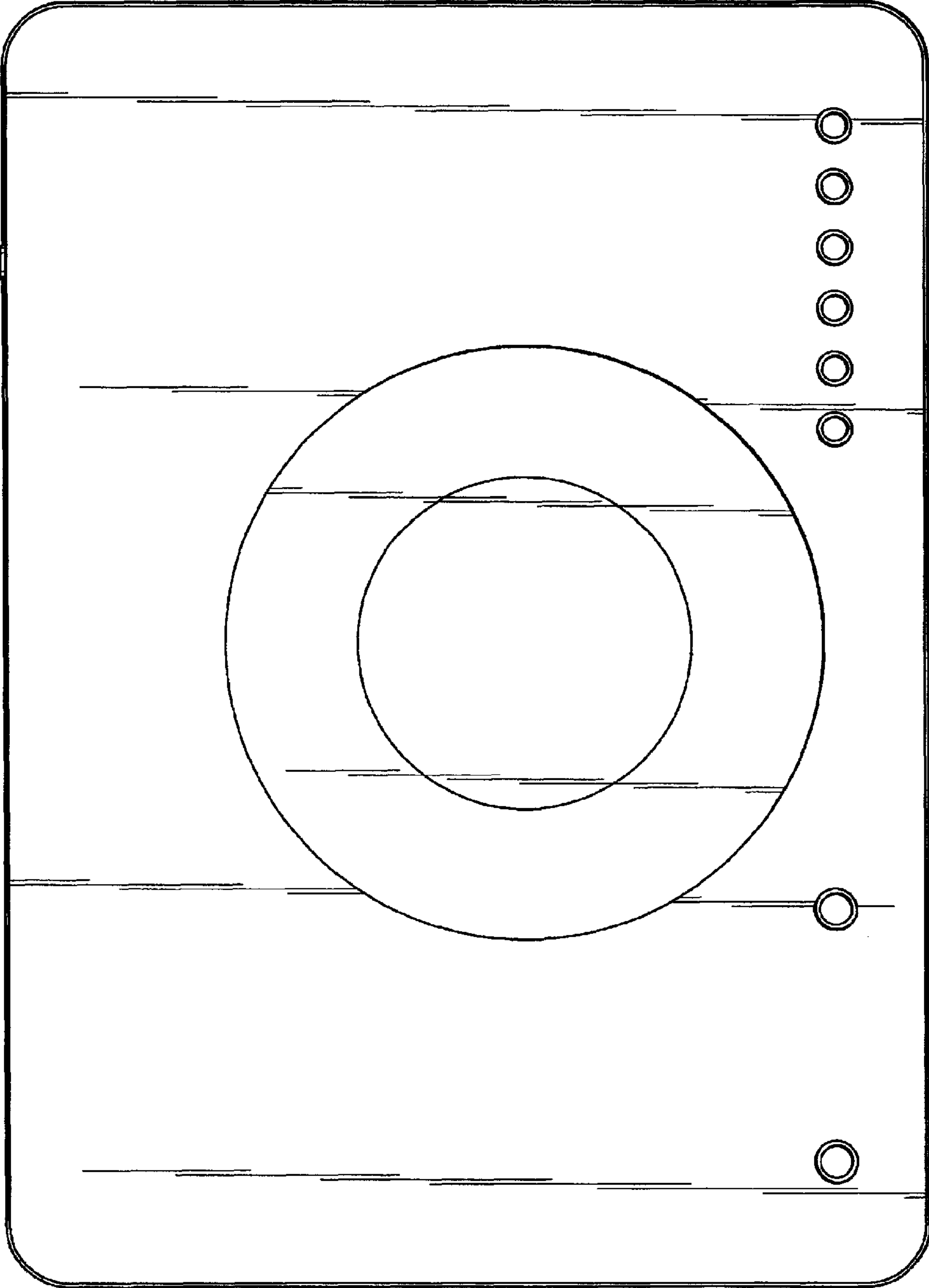


FIG. 3

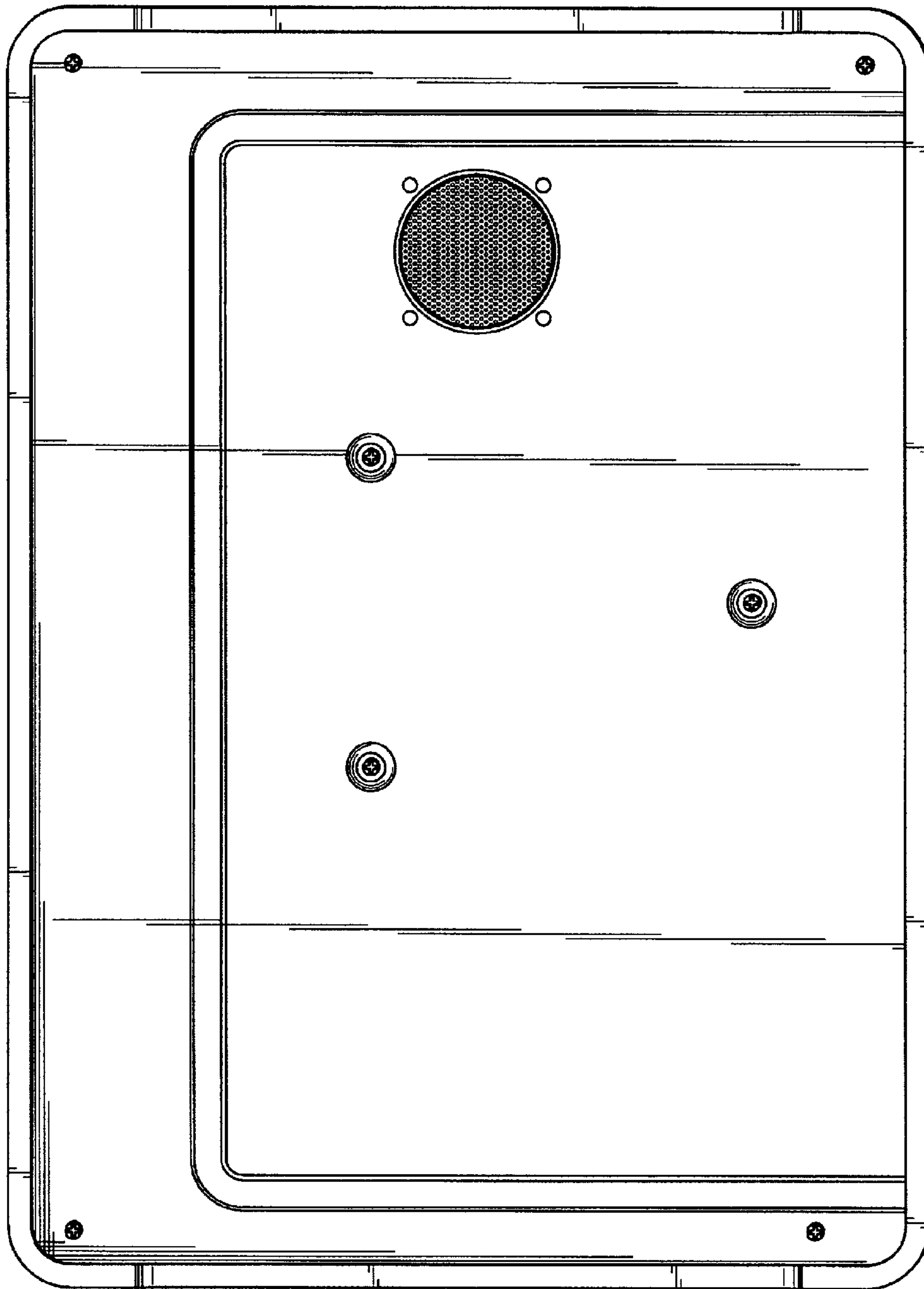


FIG. 4

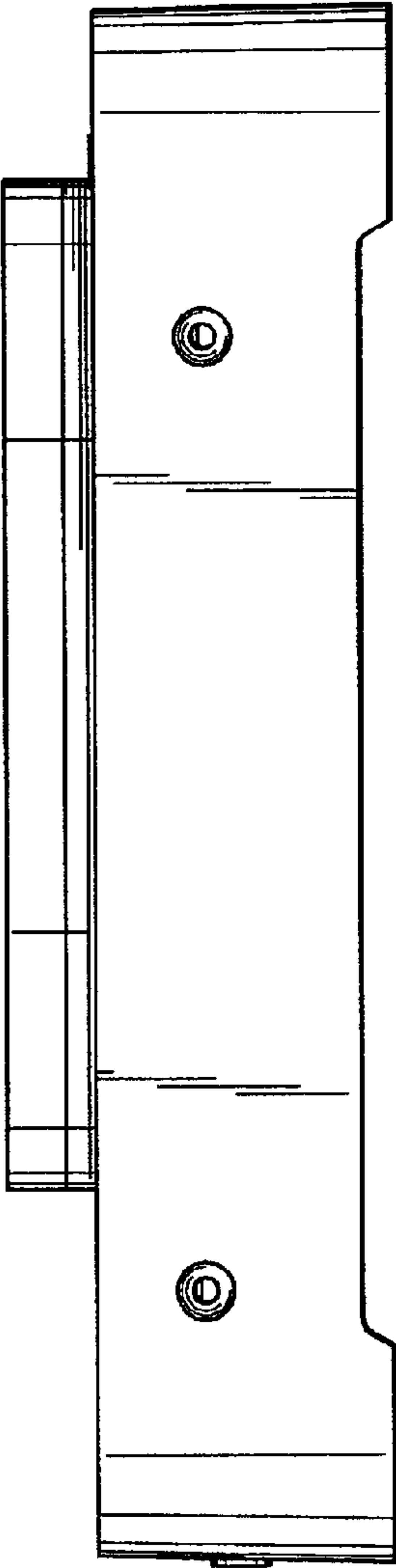


FIG. 5

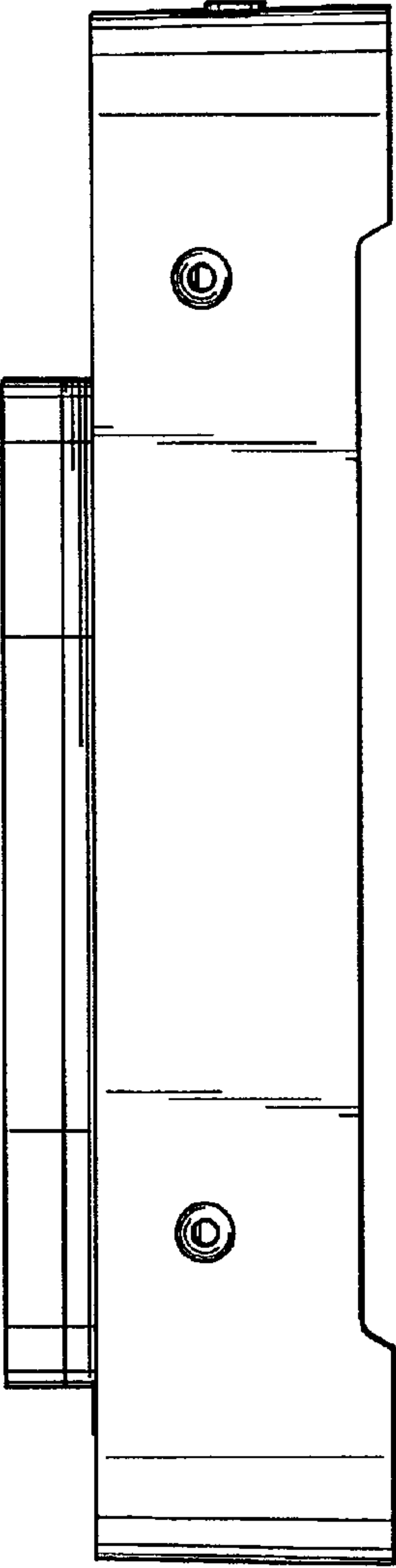


FIG. 6

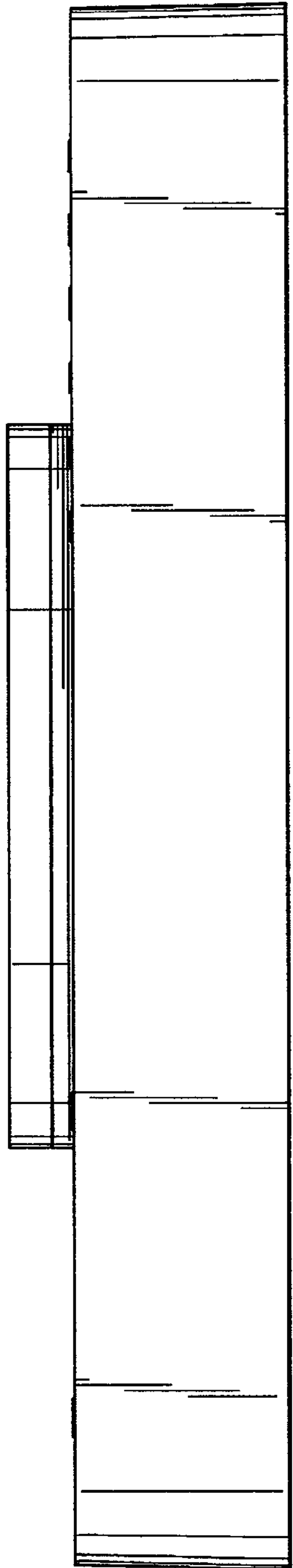


FIG. 7

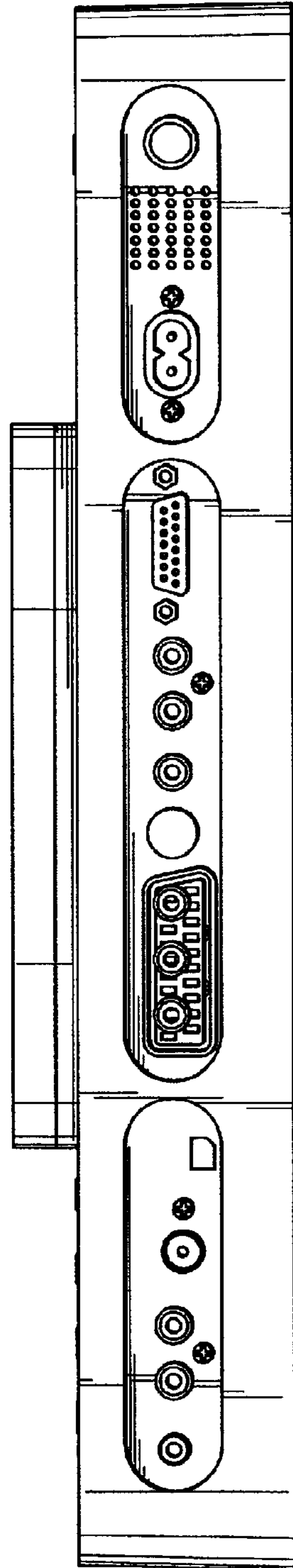


FIG. 8