



US00D512973S

(12) **United States Design Patent** (10) **Patent No.:** **US D512,973 S**
Schedivy (45) **Date of Patent:** **** Dec. 20, 2005**

(54) **RAIL SYSTEM OVERHEAD VIDEO DISPLAY CONSOLE**

(75) Inventor: **George C. Schedivy**, Aquebogue, NY (US)

(73) Assignee: **Audiovox Corporation**, Hauppauge, NY (US)

(**) Term: **14 Years**

(21) Appl. No.: **29/209,837**

(22) Filed: **Jul. 22, 2004**

(51) **LOC (6) Cl.** **14-03**

(52) **U.S. Cl.** **D14/132**

(58) **Field of Search** D14/125–136, D14/239, 371, 374–376; 312/7.2; 348/836–838, 180, 184, 325, 739, 61; 341/12; 248/917–924; 345/104, 133, 156, 168, 87, 173; 353/74; 340/700; D12/415–418, 345; D21/329, 515; 296/37.7

(56) **References Cited**

U.S. PATENT DOCUMENTS

4,824,159 A	4/1989	Fluharty et al.	
5,040,990 A	8/1991	Suman et al.	
D320,587 S	10/1991	Kapp et al.	
D339,780 S	9/1993	Burdick	
D340,016 S	10/1993	Falcoff	
D340,017 S	10/1993	Falcoff	
D340,215 S	10/1993	Falcoff	
5,469,298 A	11/1995	Suman et al.	
D391,926 S	3/1998	Brunner et al.	
D394,432 S	5/1998	Rosen	
5,775,762 A	7/1998	Vitito	
D399,200 S	10/1998	Rosen	
D399,503 S	10/1998	Rosen	
5,822,023 A	10/1998	Suman et al.	
5,927,784 A	7/1999	Vitito	
5,940,120 A	8/1999	Frankhouse et al.	
5,946,055 A	8/1999	Rosen	
D413,856 S	* 9/1999	Scribner D12/418
6,059,255 A	5/2000	Rosen et al.	
D430,545 S	9/2000	Rosen	

6,125,030 A	9/2000	Mola et al.	
6,186,459 B1	2/2001	Ma	
D451,895 S	12/2001	Lavelle et al.	
D453,325 S	2/2002	Okada et al.	
D454,121 S	3/2002	Lavelle et al.	
D455,130 S	4/2002	Skaff et al.	
D462,670 S	9/2002	Kasuga et al.	
D467,562 S	12/2002	Chang	
D468,711 S	1/2003	Chang	
6,669,260 B2	12/2003	Clark et al.	
D489,044 S	4/2004	Bremenkamp et al.	
2001/0005083 A1	6/2001	Serizawa et al.	
2002/0113451 A1	8/2002	Chang	
2002/0149708 A1	* 10/2002	Nagata et al. 348/837
2002/0163219 A1	11/2002	Clark et al.	
2003/0075955 A1	4/2003	Tiesler et al.	
2003/0168875 A1	9/2003	Anderson et al.	
2004/0061358 A1	4/2004	Vishey et al.	

* cited by examiner

Primary Examiner—Raphael Barkai
(74) *Attorney, Agent, or Firm*—F. Chau & Associates LLC

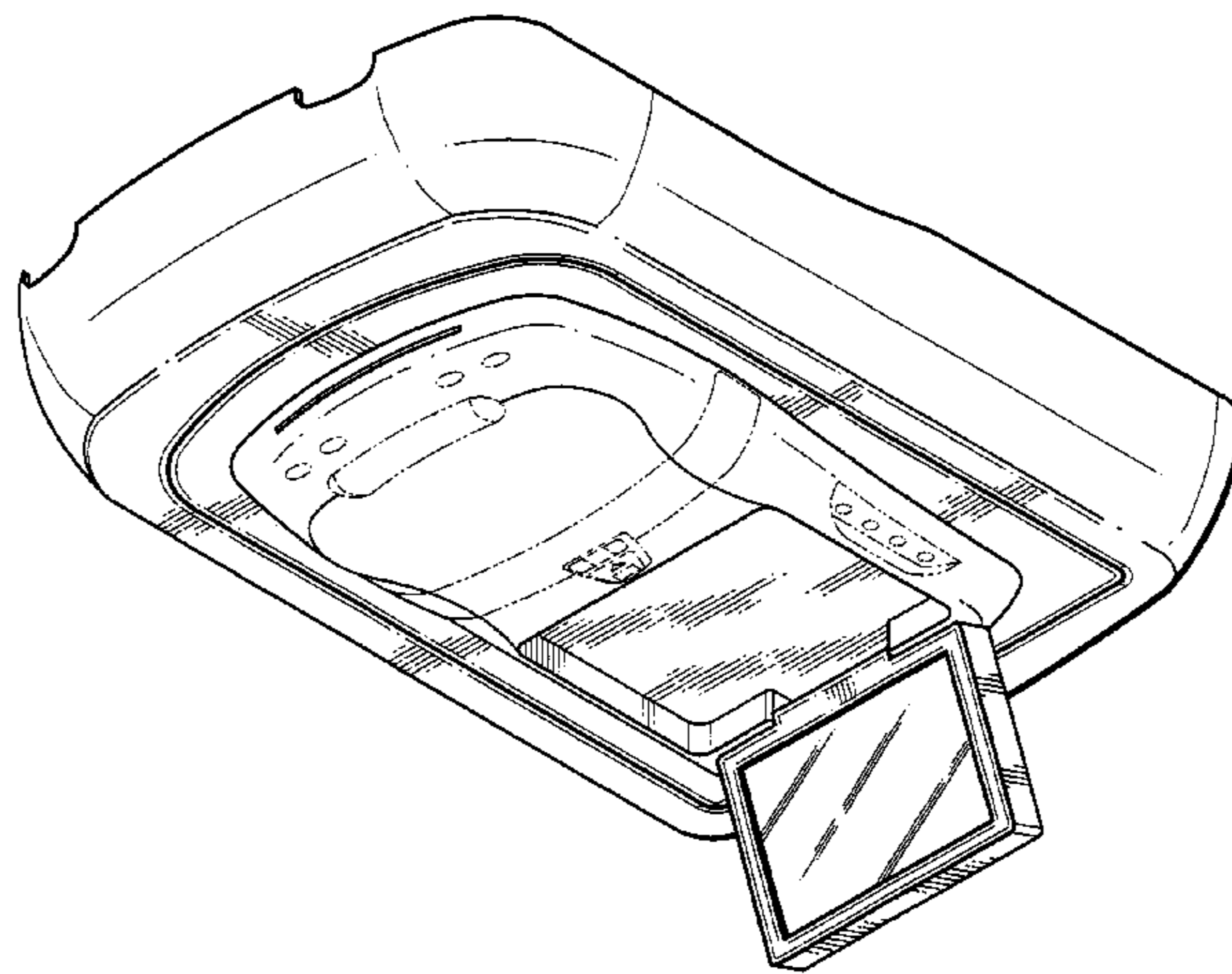
(57) **CLAIM**

The ornamental design for a rail system overhead video display console, substantially as shown and described.

DESCRIPTION

FIG. 1 is a perspective view of the rail system overhead video display console in accordance with the present invention, with the display being depicted in a stowed orientation; FIG. 2 is a top view thereof with the display in the stowed orientation; FIG. 3 is a right-side view thereof with the display in the stowed orientation; FIG. 4 is a front view thereof with the display in the stowed orientation; FIG. 5 is a rear view thereof with the display in the stowed orientation; and, FIG. 6 is a perspective view thereof with the display in a deployed orientation. The broken lines shown in FIGS. 1–6 are for illustrative purposes as an environment and form no part of the claimed design.

1 Claim, 4 Drawing Sheets



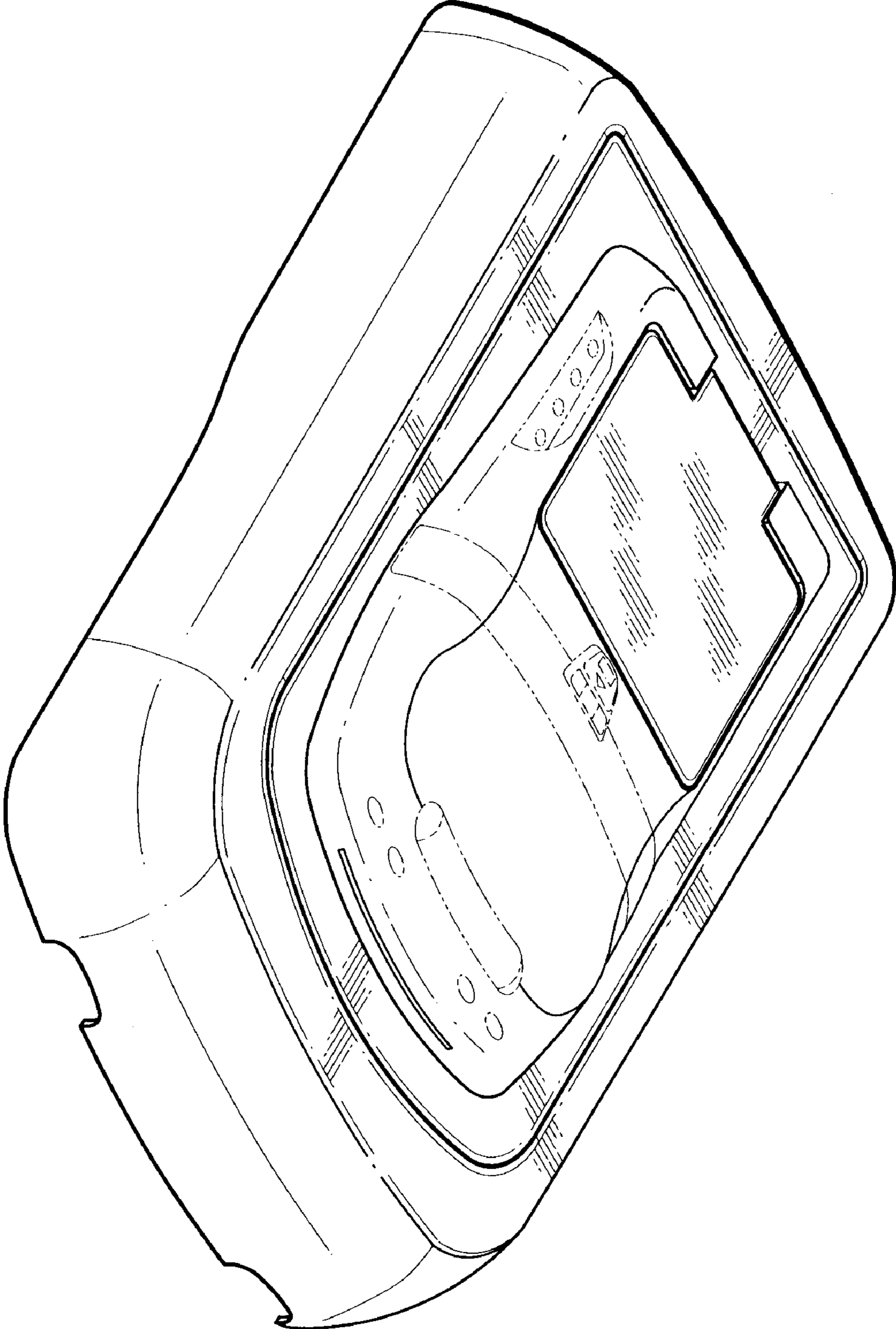


FIG. 1

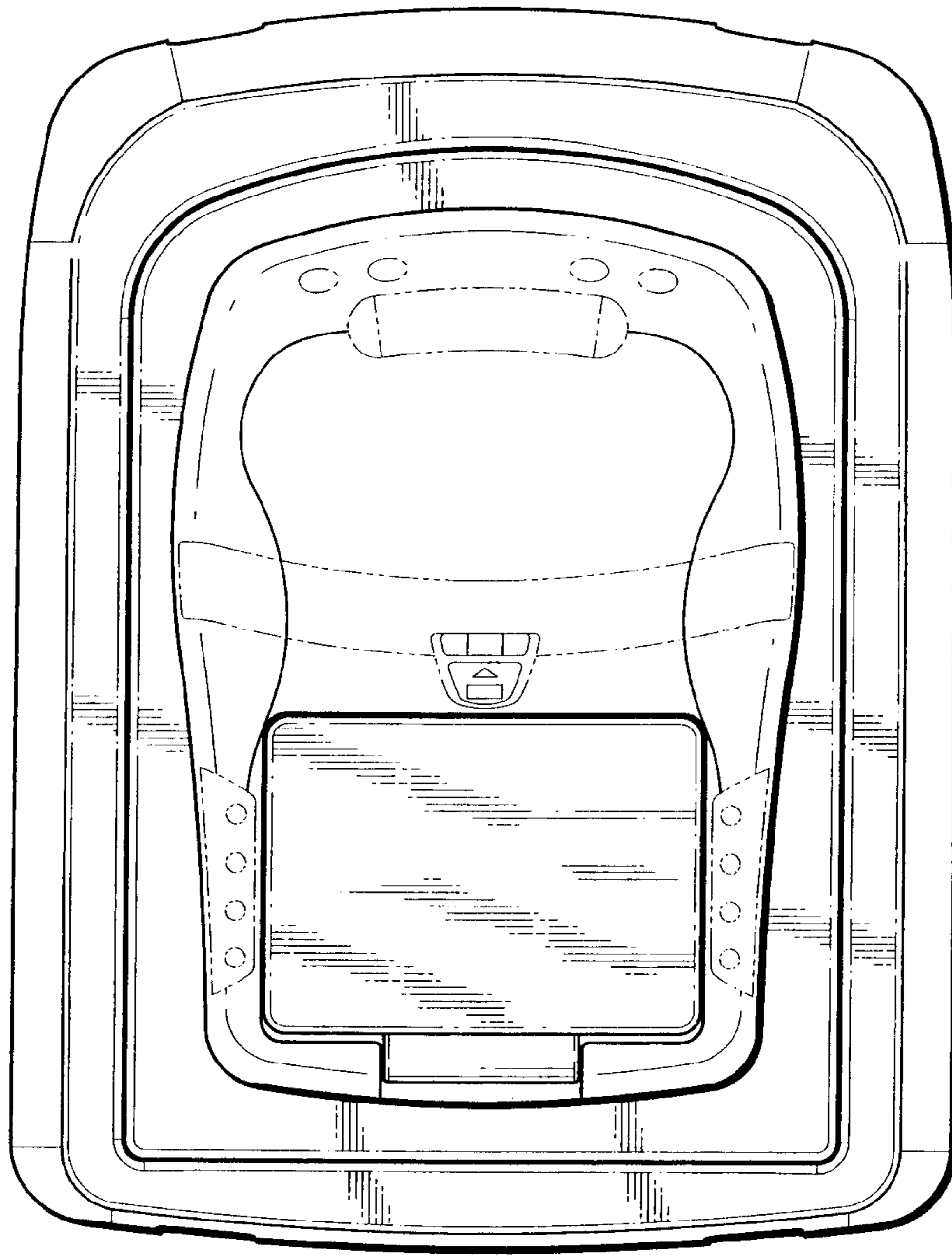


FIG. 2

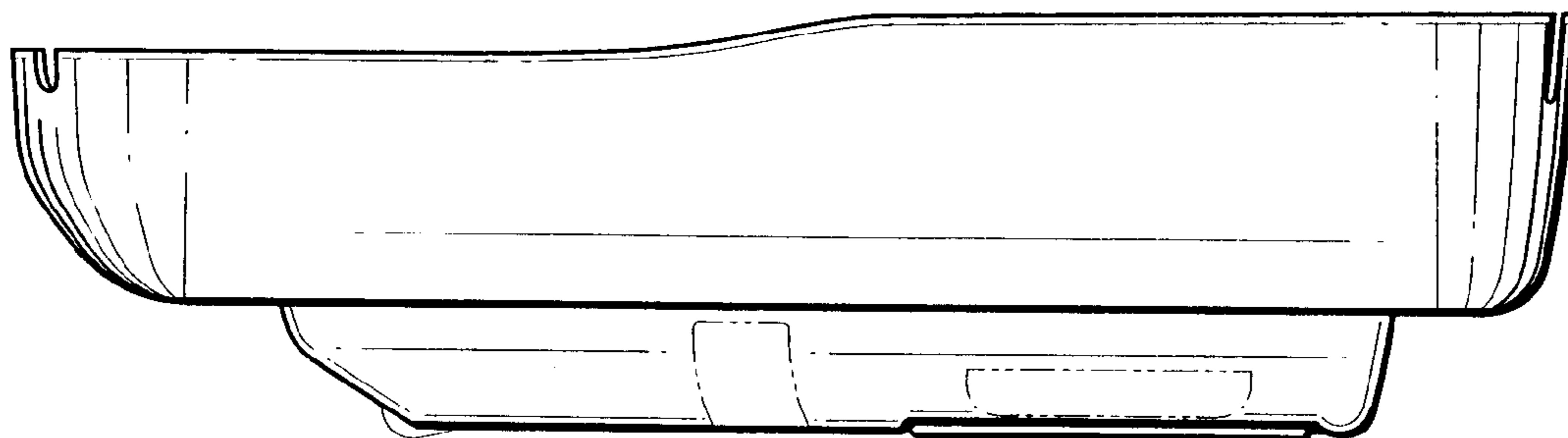


FIG. 3

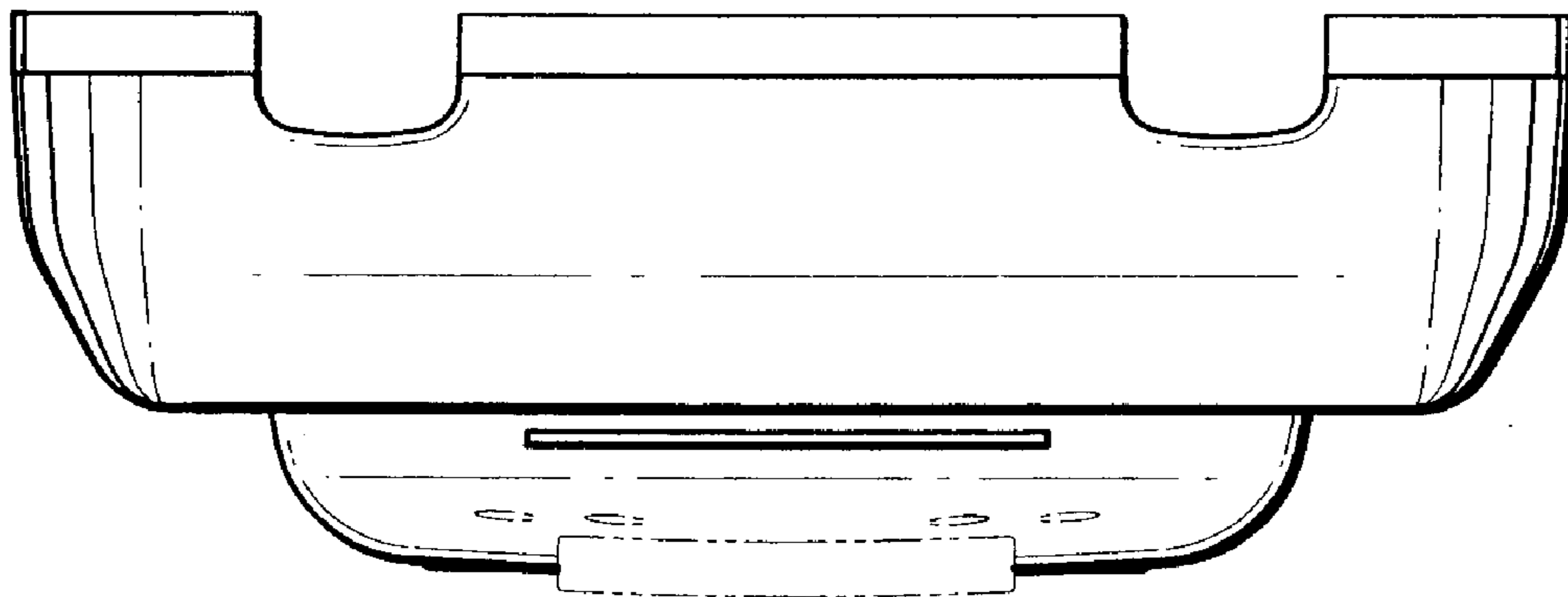


FIG. 4

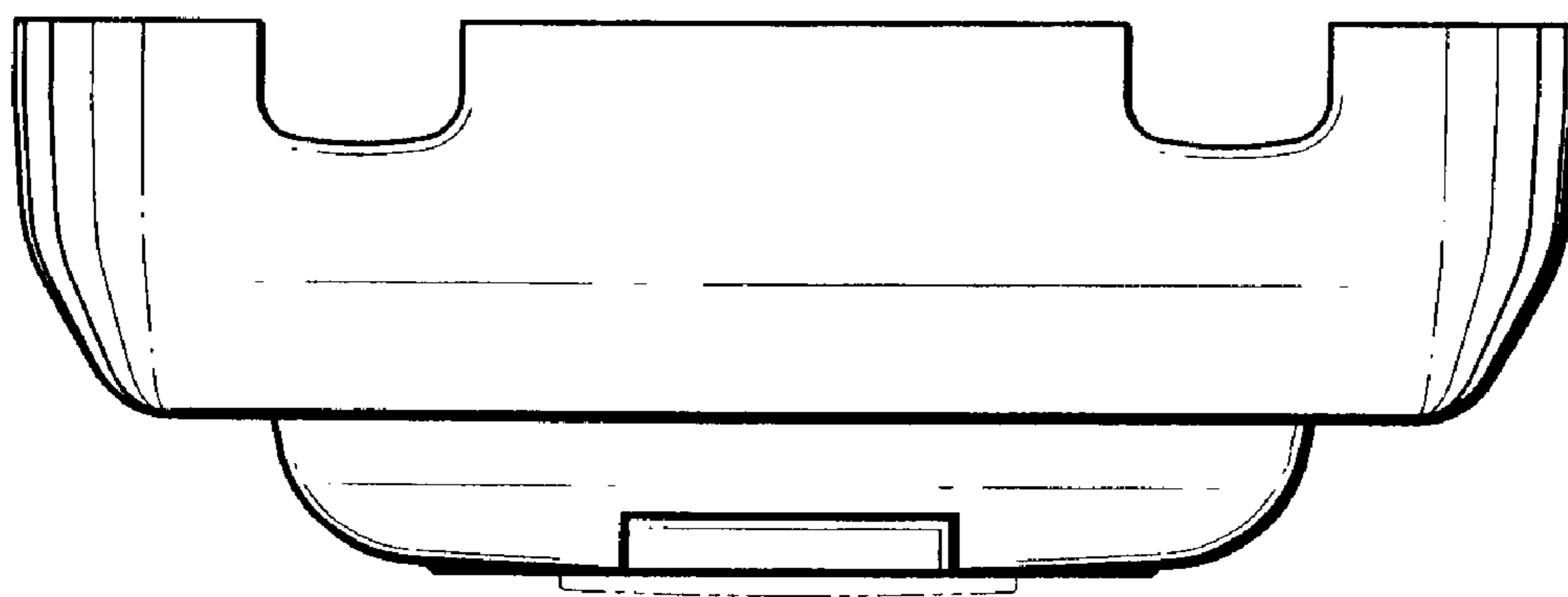


FIG. 5

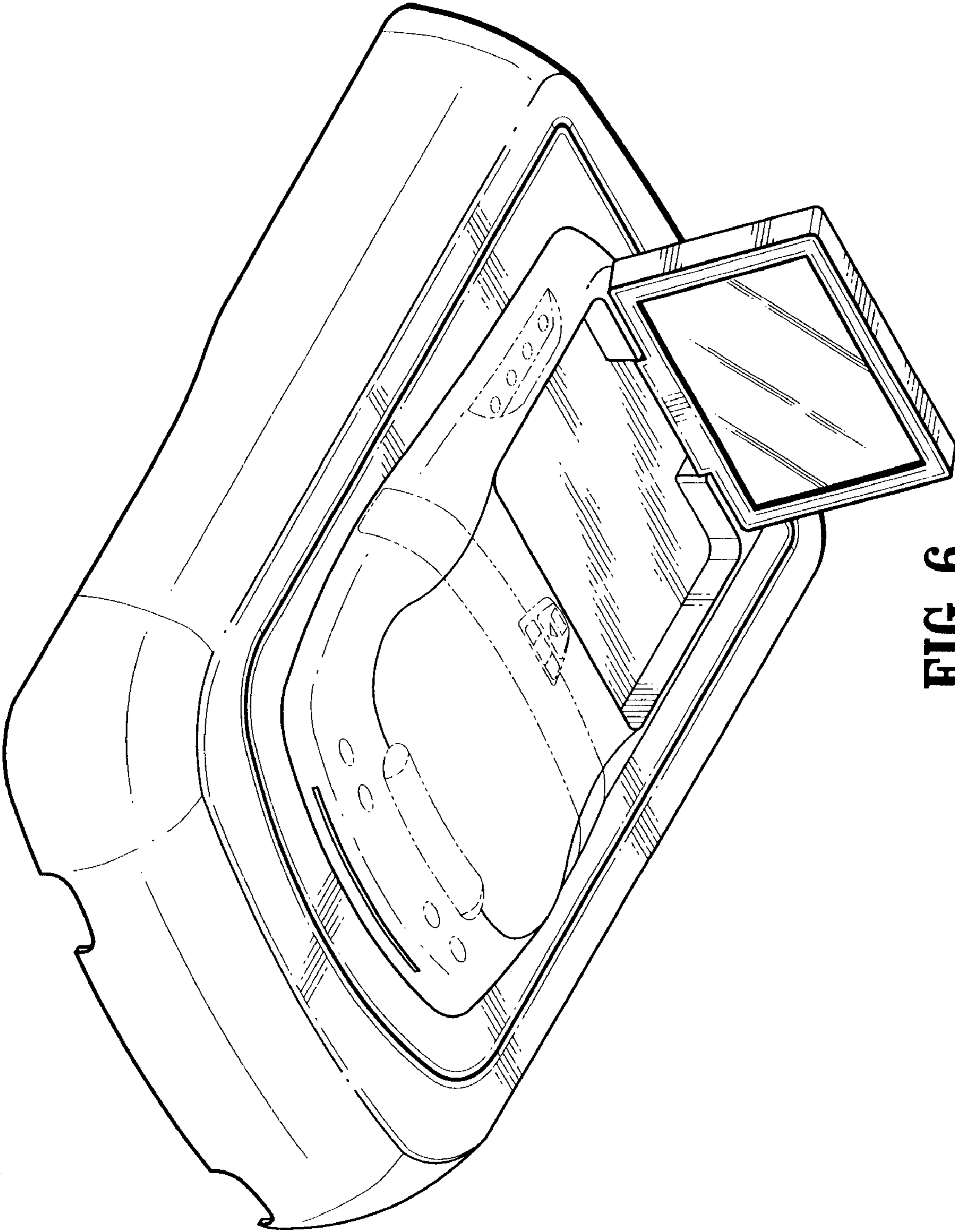


FIG. 6