



US00D512966S

(12) **United States Design Patent**
Cook et al.

(10) **Patent No.: US D512,966 S**
(45) **Date of Patent: ** Dec. 20, 2005**

(54) **CONTROLLER EXPANSION MODULE**

(75) Inventors: **Steve B. Cook**, Oceanside, CA (US);
Sergio R. Perez, San Diego, CA (US);
Roger S. Neitzel, Escondido, CA (US);
Ken R. Venegas, San Diego, CA (US)

(73) Assignee: **Rain Bird Corporation**, Glendora, CA (US)

(**) Term: **14 Years**

(21) Appl. No.: **29/193,704**

(22) Filed: **Nov. 12, 2003**

(51) **LOC (6) Cl.** **13-03**

(52) **U.S. Cl.** **D13/162**

(58) **Field of Search** D13/162; 312/223.1,
312/223.2; 340/825.22, 825.24; 361/600;
700/17, 18, 19, 284

(56) **References Cited**

U.S. PATENT DOCUMENTS

5,610,493 A * 3/1997 Wieloch 318/801
6,459,959 B1 * 10/2002 Williams et al. 700/284
6,721,630 B1 * 4/2004 Woytowicz 700/284

6,772,050 B2 * 8/2004 Williams et al. 700/284
6,842,667 B2 * 1/2005 Beutler et al. 700/284
2005/0038529 A1 * 2/2005 Perez et al. 700/19

* cited by examiner

Primary Examiner—Stella Reid
Assistant Examiner—Selina Sikder

(74) *Attorney, Agent, or Firm*—Fitch, Even, Tabin & Flannery

(57) **CLAIM**

The ornamental design for a controller expansion module, as shown and described.

DESCRIPTION

FIG. 1 is a perspective view taken from the top, front left side of a controller expansion module embodying our new design;

FIG. 2 is a rear end elevational view thereof;

FIG. 3 is a front end elevational view thereof;

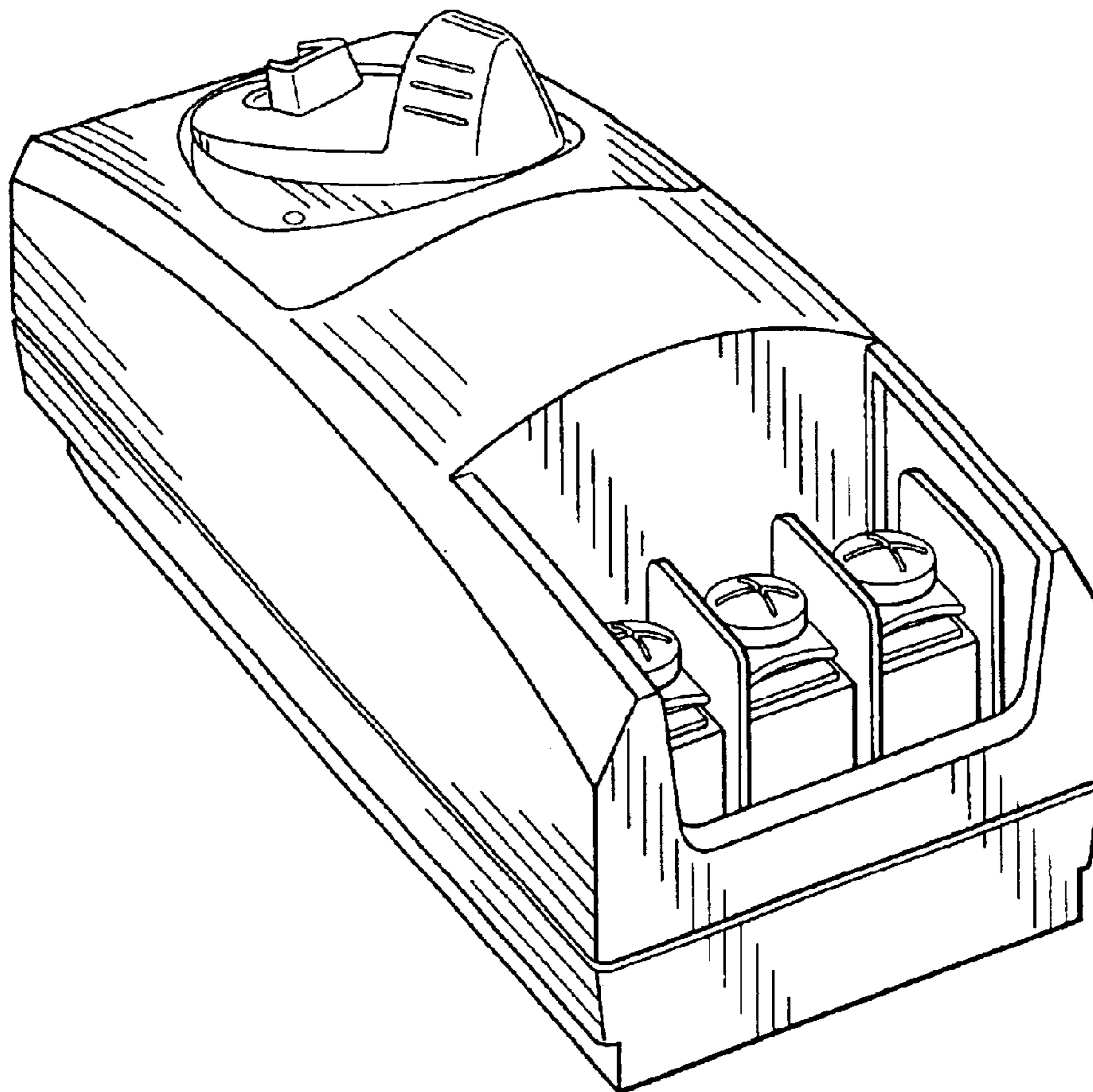
FIG. 4 is a right side elevational view thereof;

FIG. 5 is a left side elevational view thereof;

FIG. 6 is a top plan view thereof; and,

FIG. 7 is a bottom plan view thereof.

1 Claim, 3 Drawing Sheets



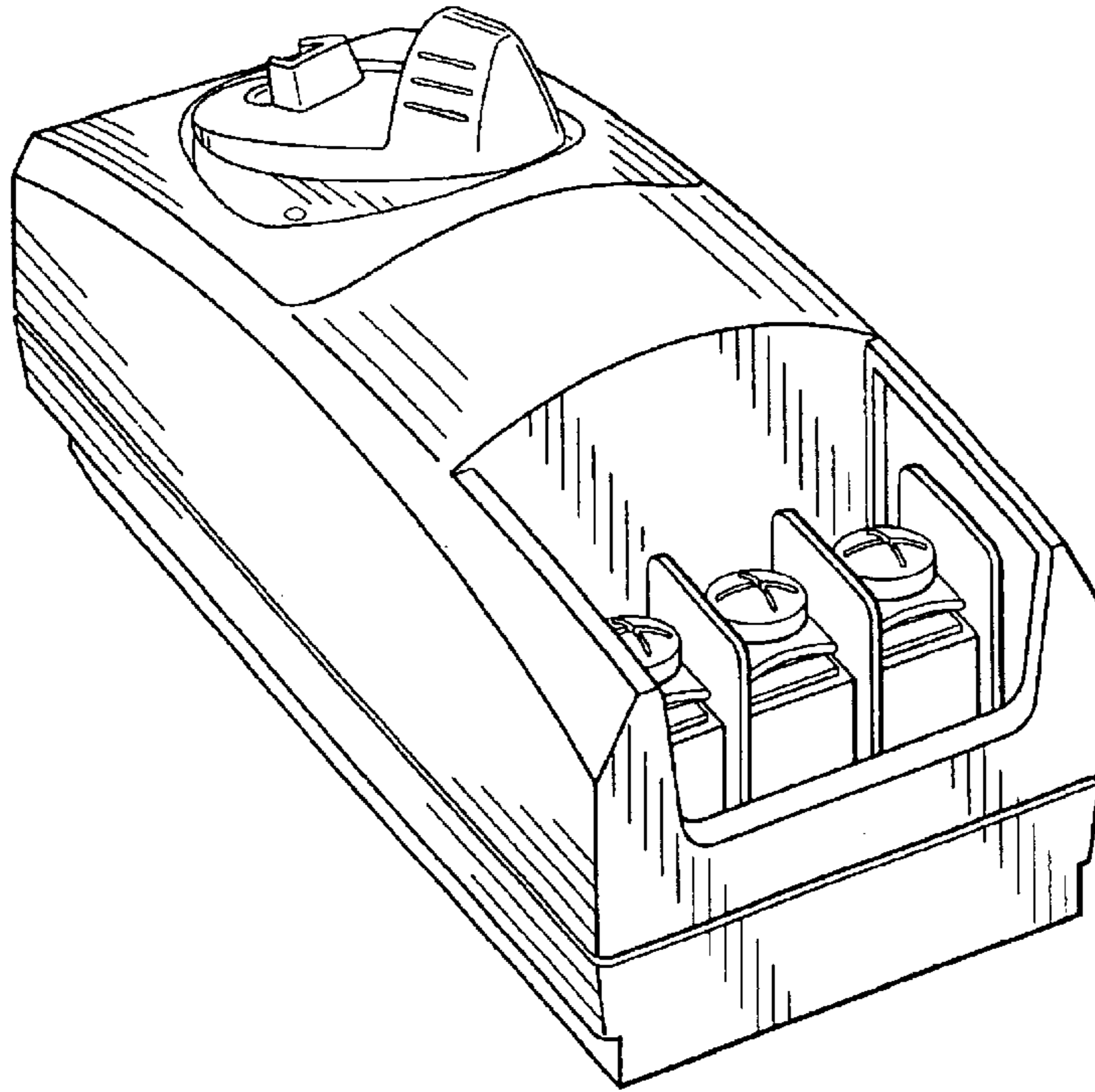


FIG. 1

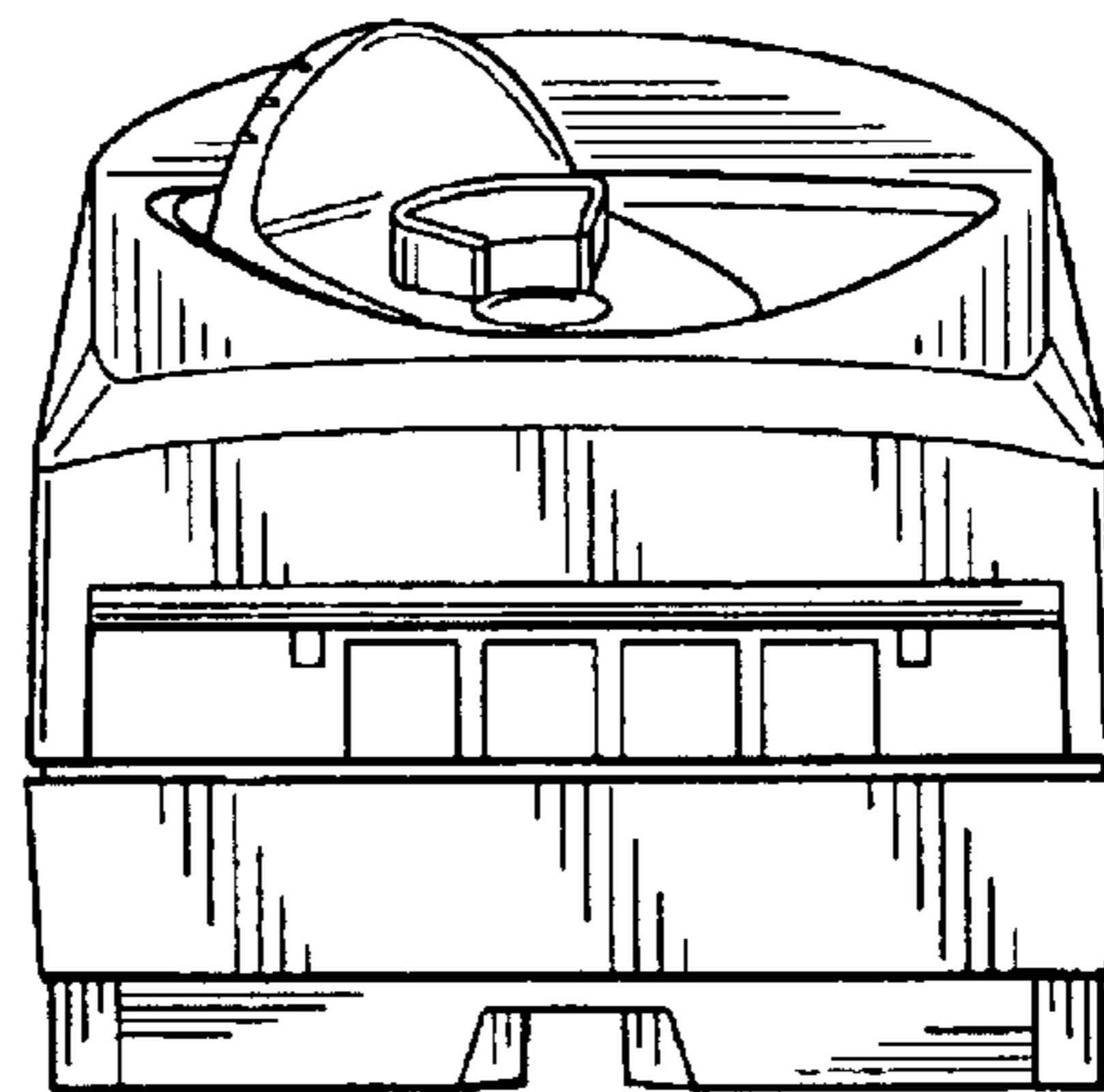


FIG. 2

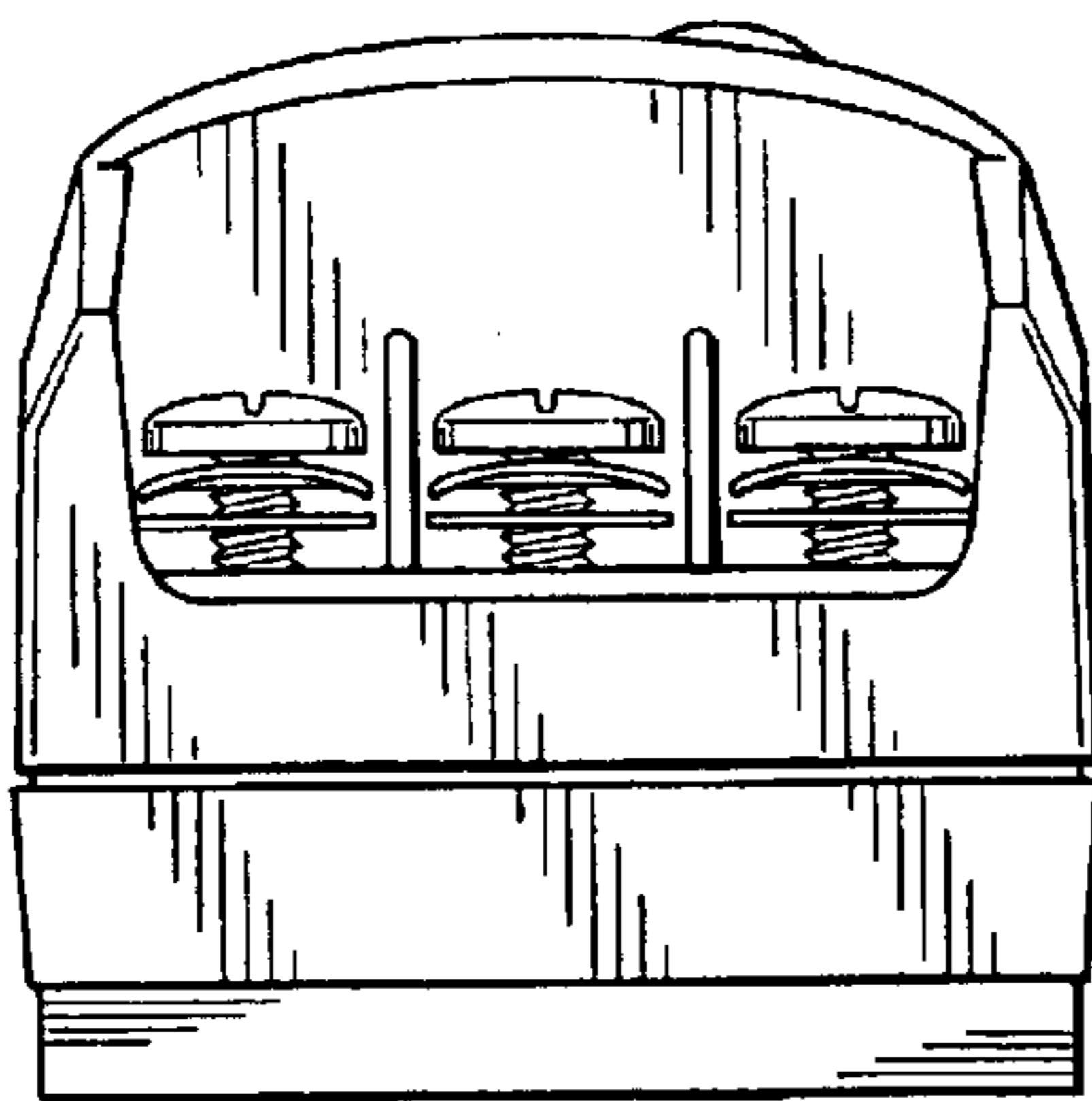


FIG. 3

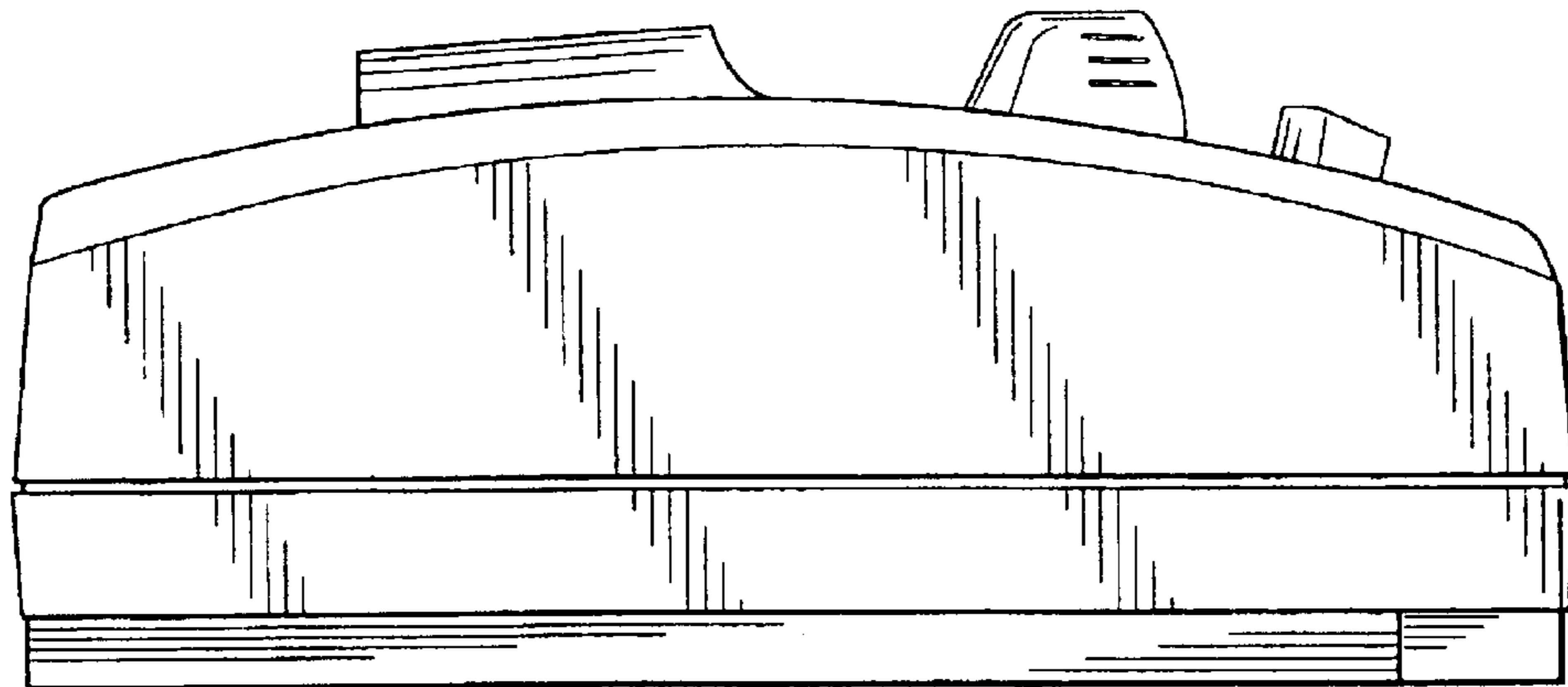


FIG. 4

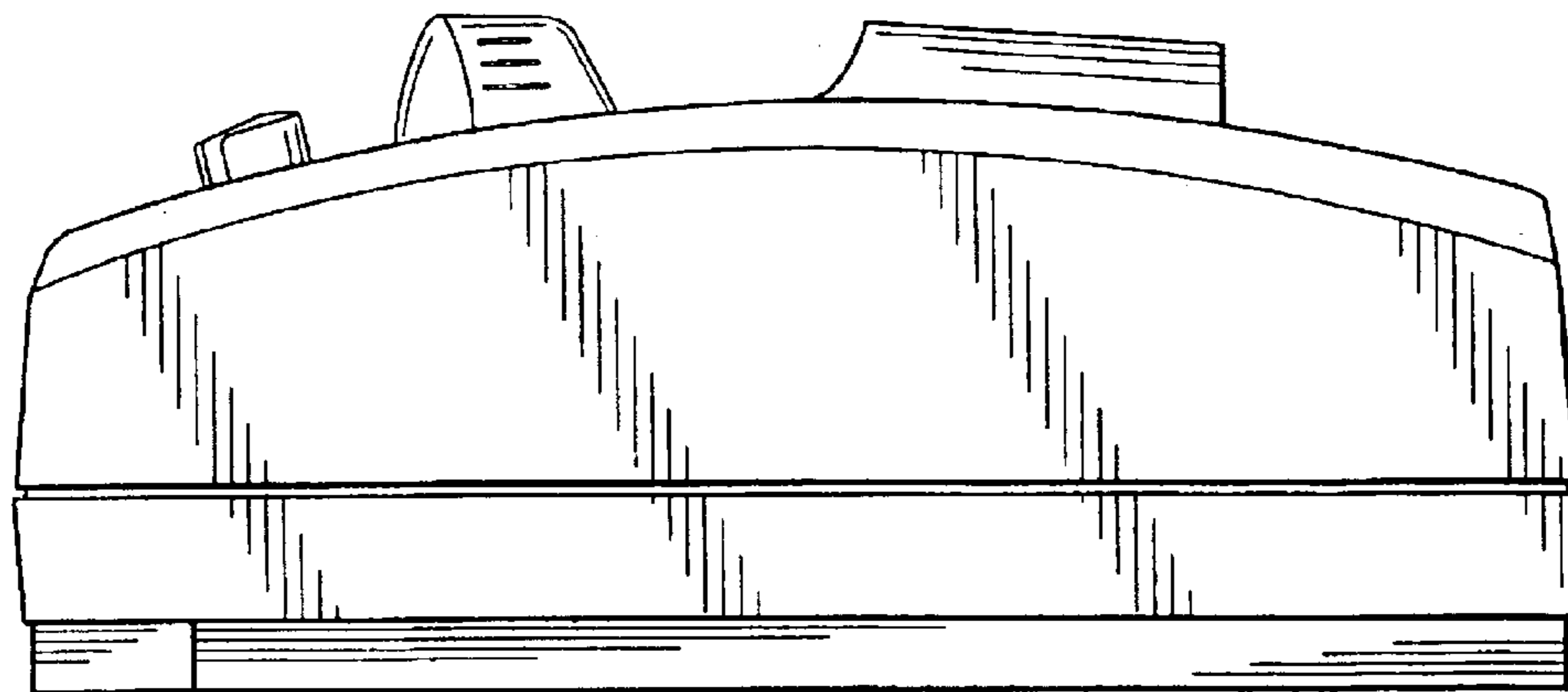


FIG. 5

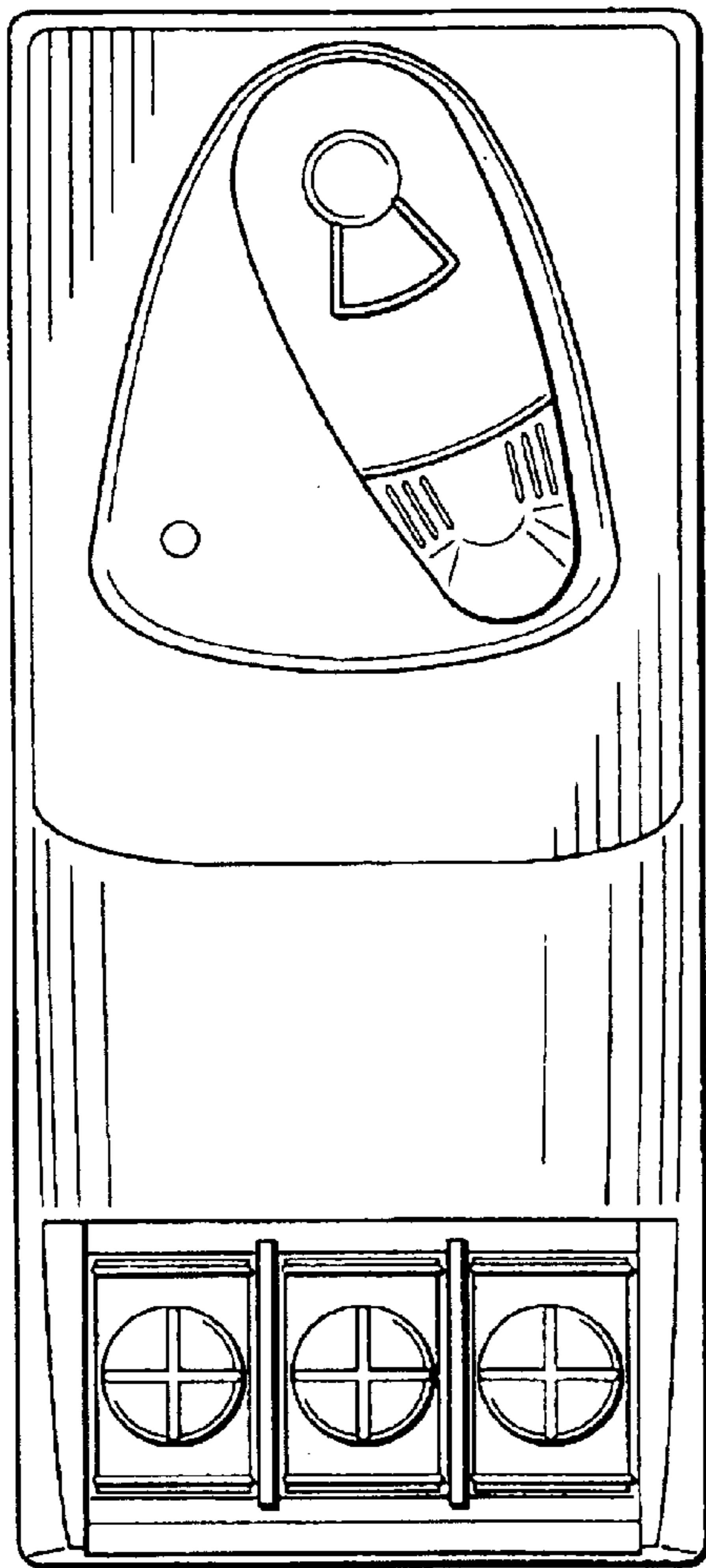


FIG. 6

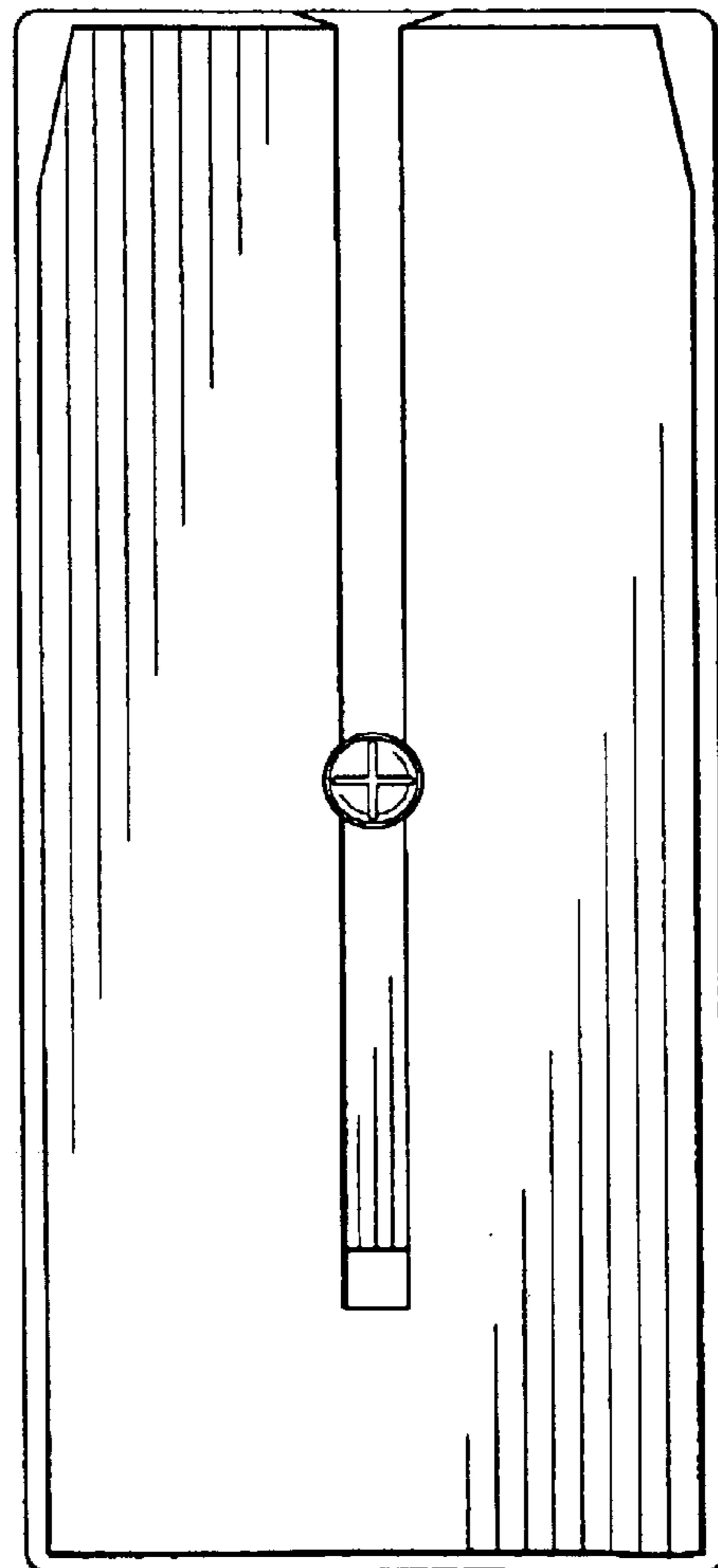


FIG. 7