

US00D512964S

(12) **United States Design Patent** (10) **Patent No.:** **US D512,964 S**
Kissinger et al. (45) **Date of Patent:** **** Dec. 20, 2005**

(54) **RETRACTABLE AND INTERCHANGEABLE CONTROL PANEL FOR ELECTRONIC OR LIKE DEVICES**

D473,525 S * 4/2003 Pincek et al. D13/162
D475,016 S * 5/2003 Gershfeld D13/139.4

OTHER PUBLICATIONS

(75) Inventors: **John Kissinger**, Placentia, CA (US);
David Pincek, Huntington Beach, CA (US)

Product Catalog, Electri-Cable Assemblies, Inc., 2000.
T3U Table Box, FSR Metal Products Group, 2001.
Product Catalog, Spider Manufacturing, Inc., Apr. 1998.

(73) Assignee: **RGB Systems, Inc.**, Anaheim, CA (US)

* cited by examiner

(**) Term: **14 Years**

Primary Examiner—Alan P. Douglas
Assistant Examiner—Rosemary Tarca

(21) Appl. No.: **29/180,094**

(74) *Attorney, Agent, or Firm*—The Hecker Law Group, PLC

(22) Filed: **Apr. 18, 2003**

(57) **CLAIM**

(51) **LOC (6) Cl.** **13-03**

The ornamental design for a retractable and interchangeable control panel for electronic or like devices, as shown and described.

(52) **U.S. Cl.** **D13/139.4**

(58) **Field of Search** D13/162, 164,
D13/139.4, 139.6; D14/217, 218; 361/627,
628, 631, 643, 644, 673; 439/131, 135,
142

DESCRIPTION

(56) **References Cited**

U.S. PATENT DOCUMENTS

D182,010 S	1/1958	Wells et al.	
D187,221 S	2/1960	Laub et al.	
D198,531 S	6/1964	Beville	
D205,590 S	8/1966	Balmer	
D224,214 S	7/1972	Wormser	
3,992,070 A	* 11/1976	Dunn et al.	49/345
D280,893 S	10/1985	Ueda	
D295,255 S	4/1988	Mauch	
D306,428 S	3/1990	Barth et al.	
D340,660 S	10/1993	Russell	
D353,363 S	* 12/1994	Toby	D13/139.4
D363,741 S	10/1995	Leff et al.	
D420,327 S	* 2/2000	Byrne	D13/139.4
D437,827 S	* 2/2001	Gershfeld	D13/139.4
D442,143 S	* 5/2001	Gershfeld	D13/139.4
D448,756 S	10/2001	Lewellen	
D456,357 S	* 4/2002	Gershfeld	D13/139.4
D457,137 S	* 5/2002	Gershfeld	D13/139.4
D460,736 S	* 7/2002	Pincek et al.	D13/139.4
D466,868 S	* 12/2002	Gershfeld	D13/139.4

FIG. 1 is a perspective view of a retractable and interchangeable control panel for electronic or like devices in an open position.

FIG. 2 is a top elevational view thereof of the retractable and interchangeable control panel for electronic or like devices in an open position.

FIG. 3 is a front elevational view thereof of the retractable and interchangeable control panel for electronic or like devices in an open position.

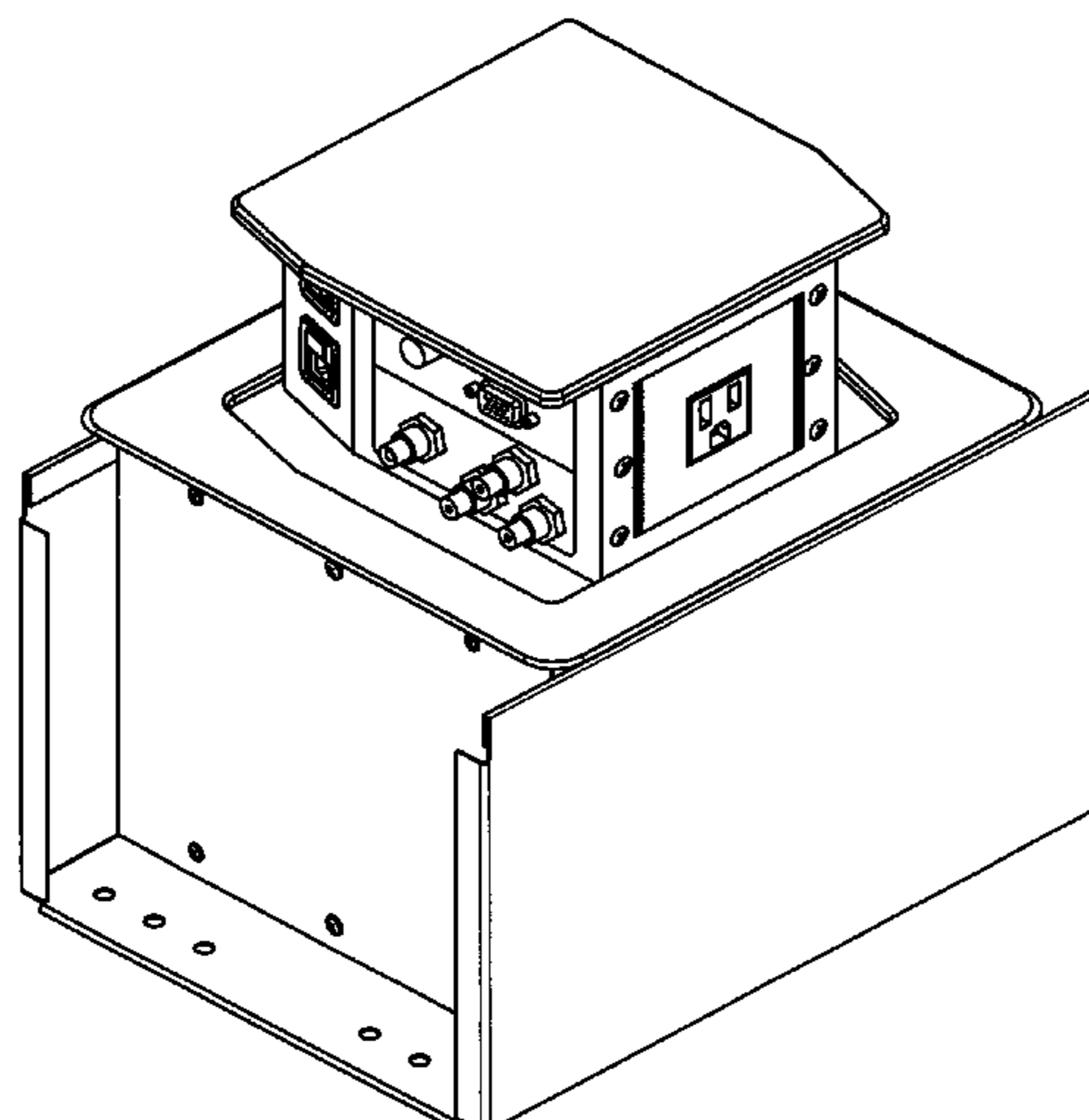
FIG. 4 is a right side elevational view thereof of the retractable and interchangeable control panel for electronic or like devices in an open position.

FIG. 5 is a left side elevational view thereof of the retractable and interchangeable control panel for electronic or like devices in an open position.

FIG. 6 is a back elevational view thereof of the retractable and interchangeable control panel for electronic or like devices in a closed position; and,

FIG. 7 is a bottom side elevational view thereof of the retractable and interchangeable control panel for electronic or like devices in a closed position.

1 Claim, 4 Drawing Sheets



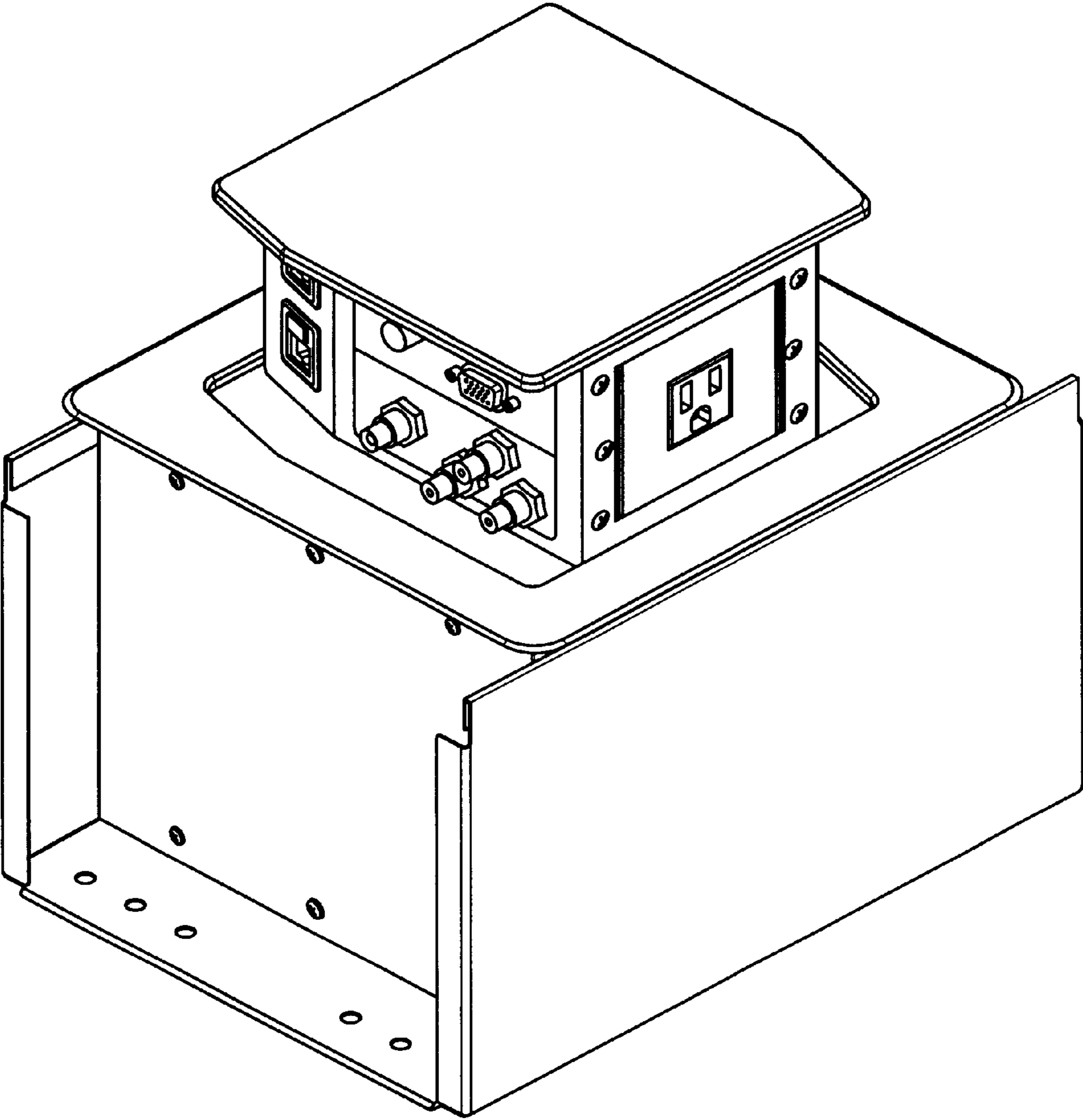


FIG. 1

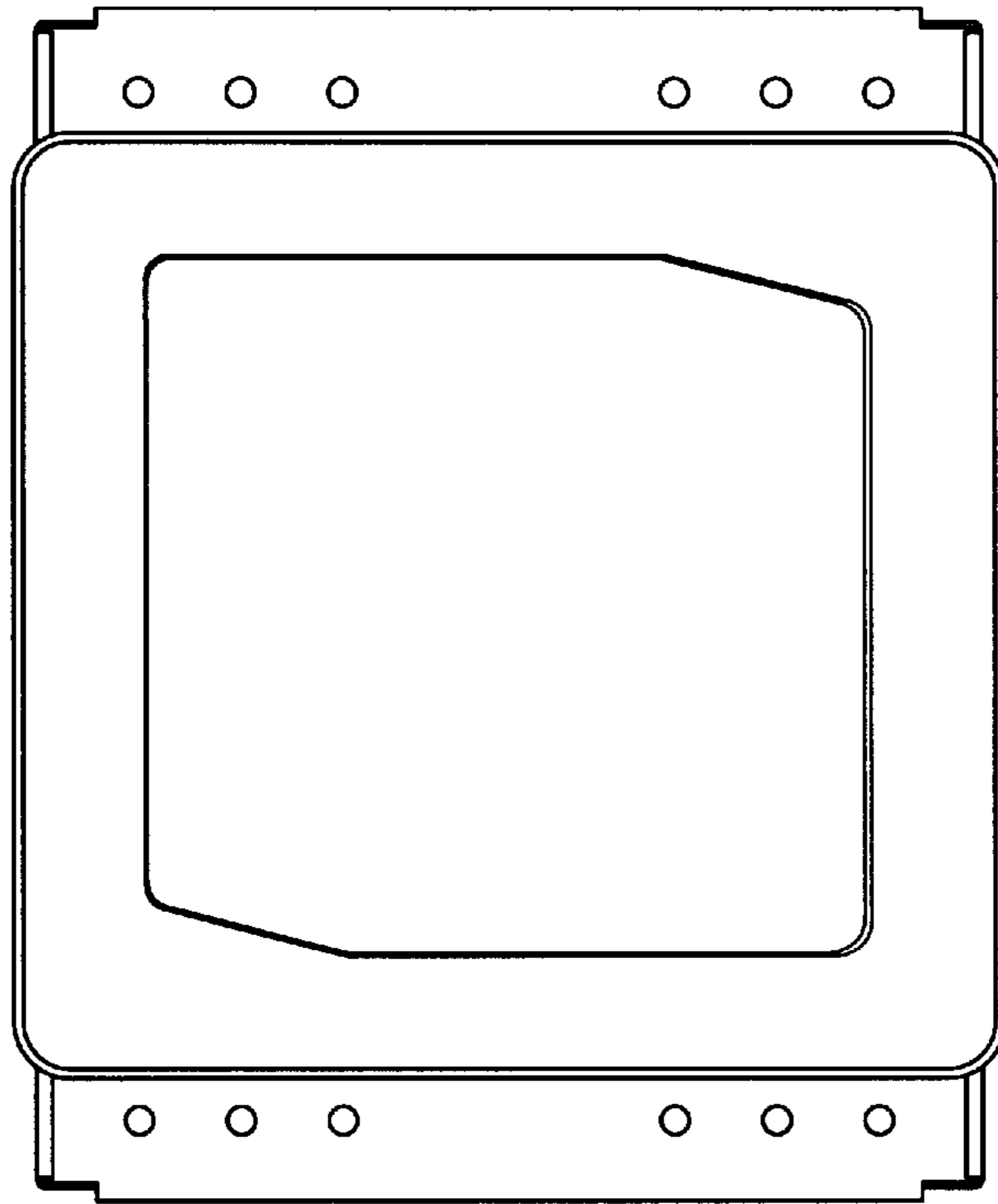


FIG. 2

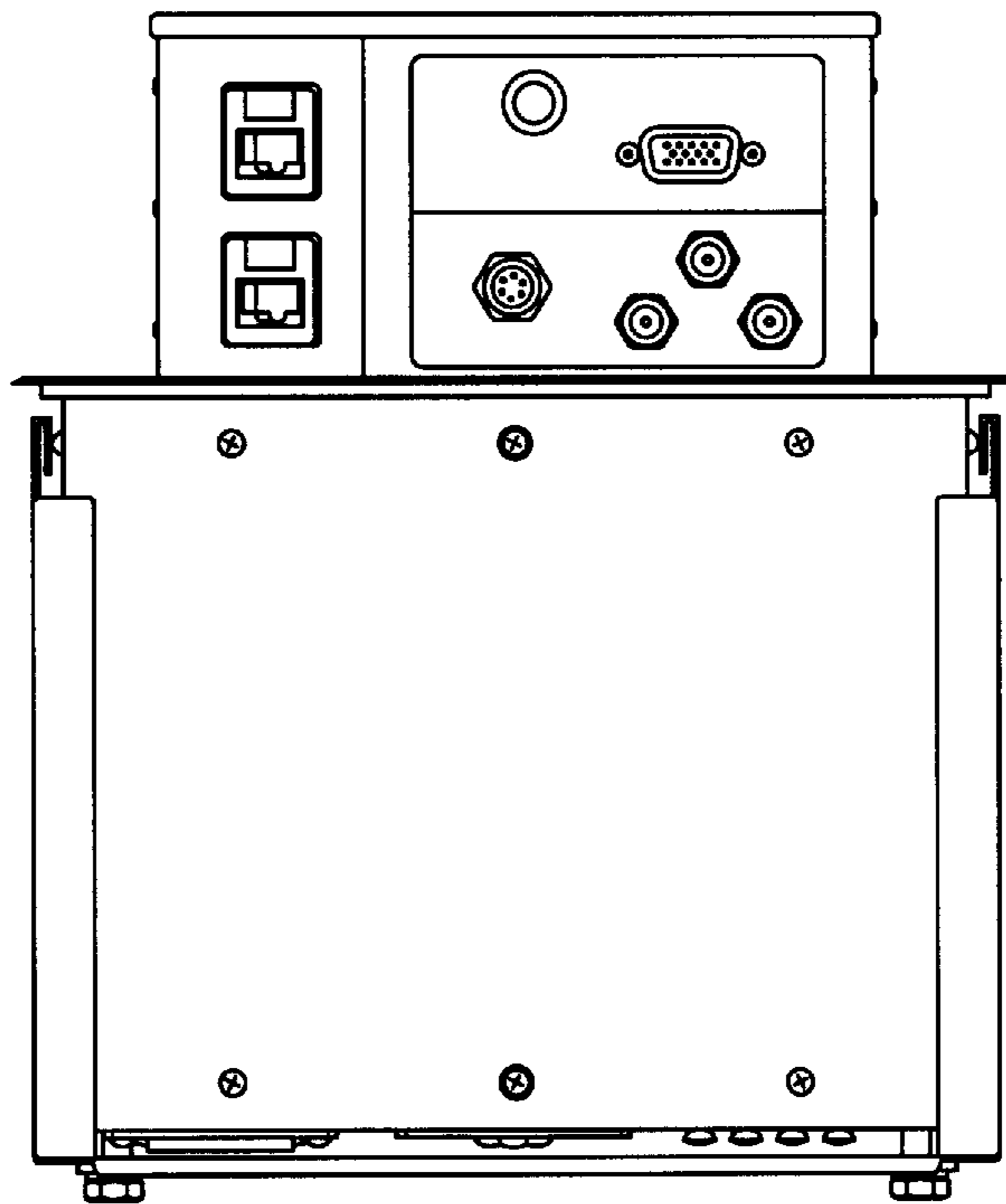


FIG. 3

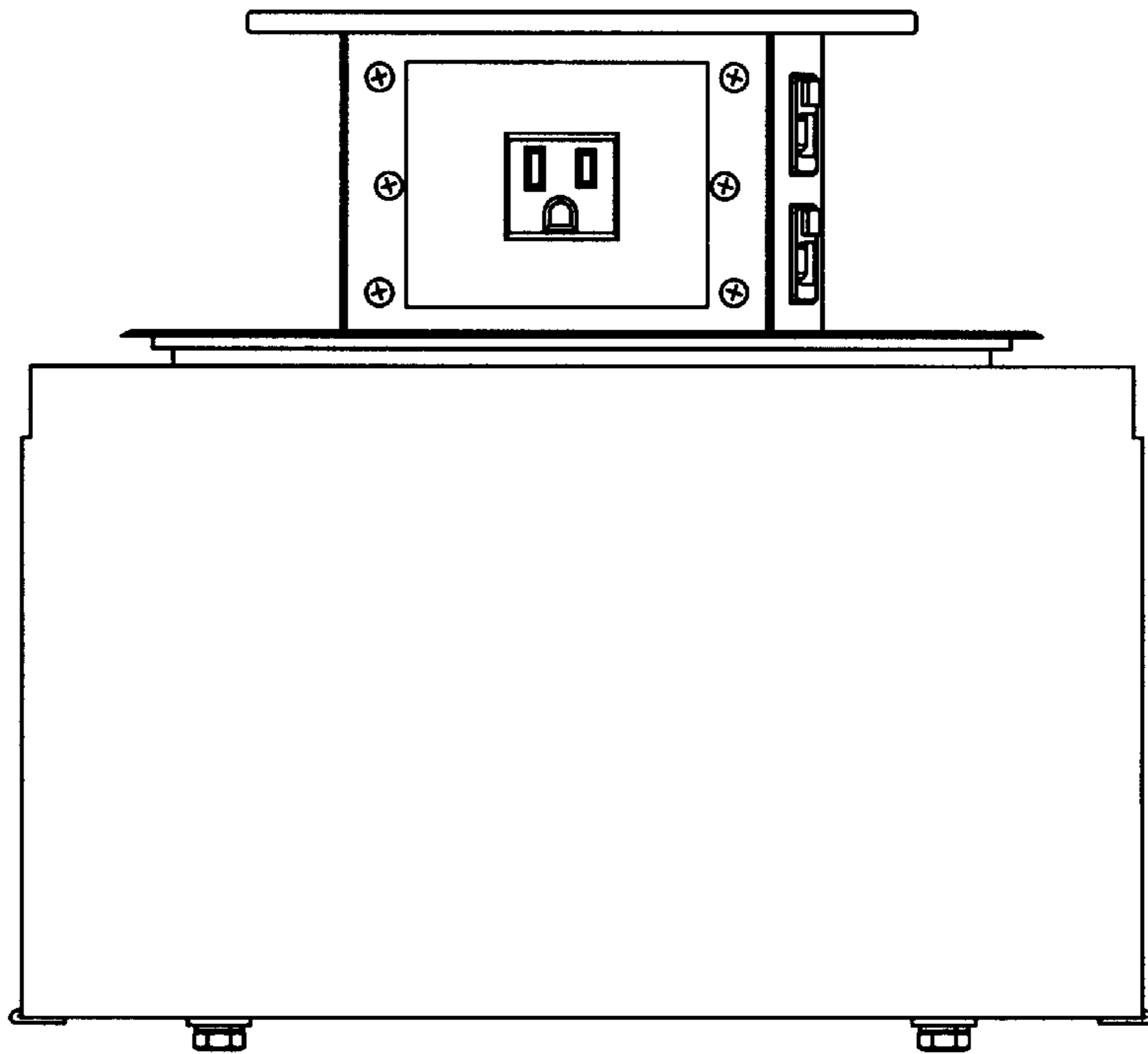


FIG. 4

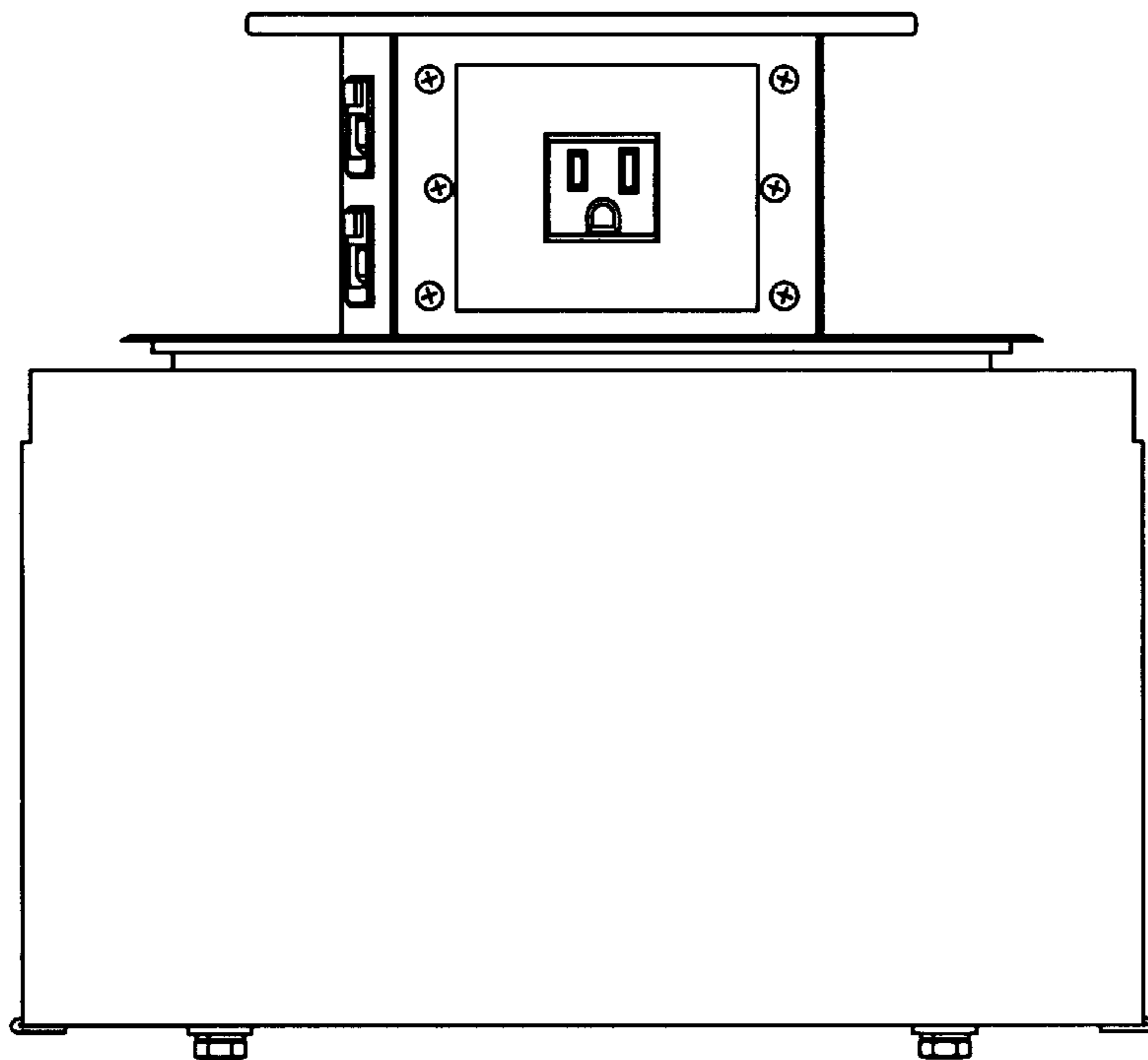


FIG. 5

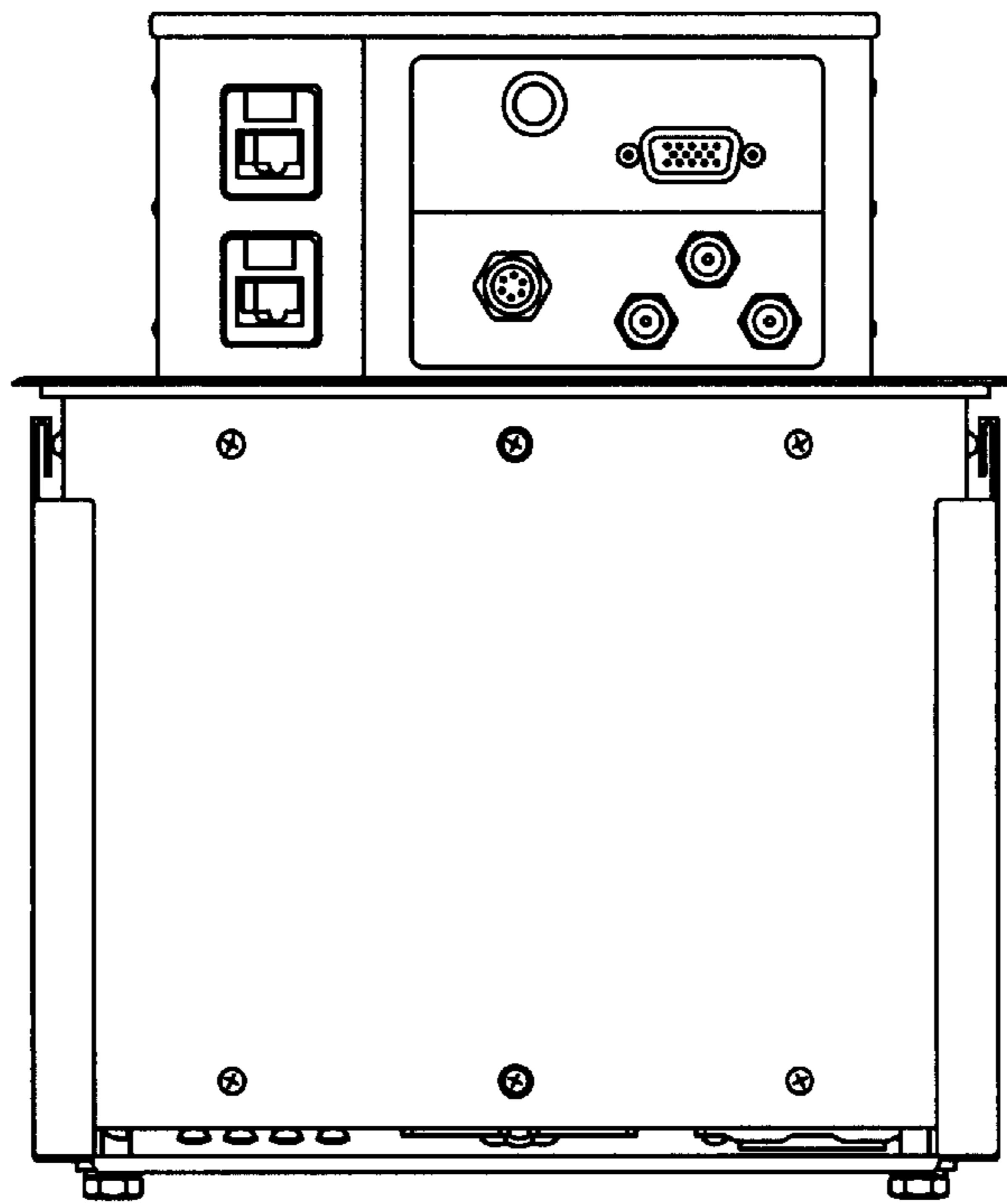


FIG. 6

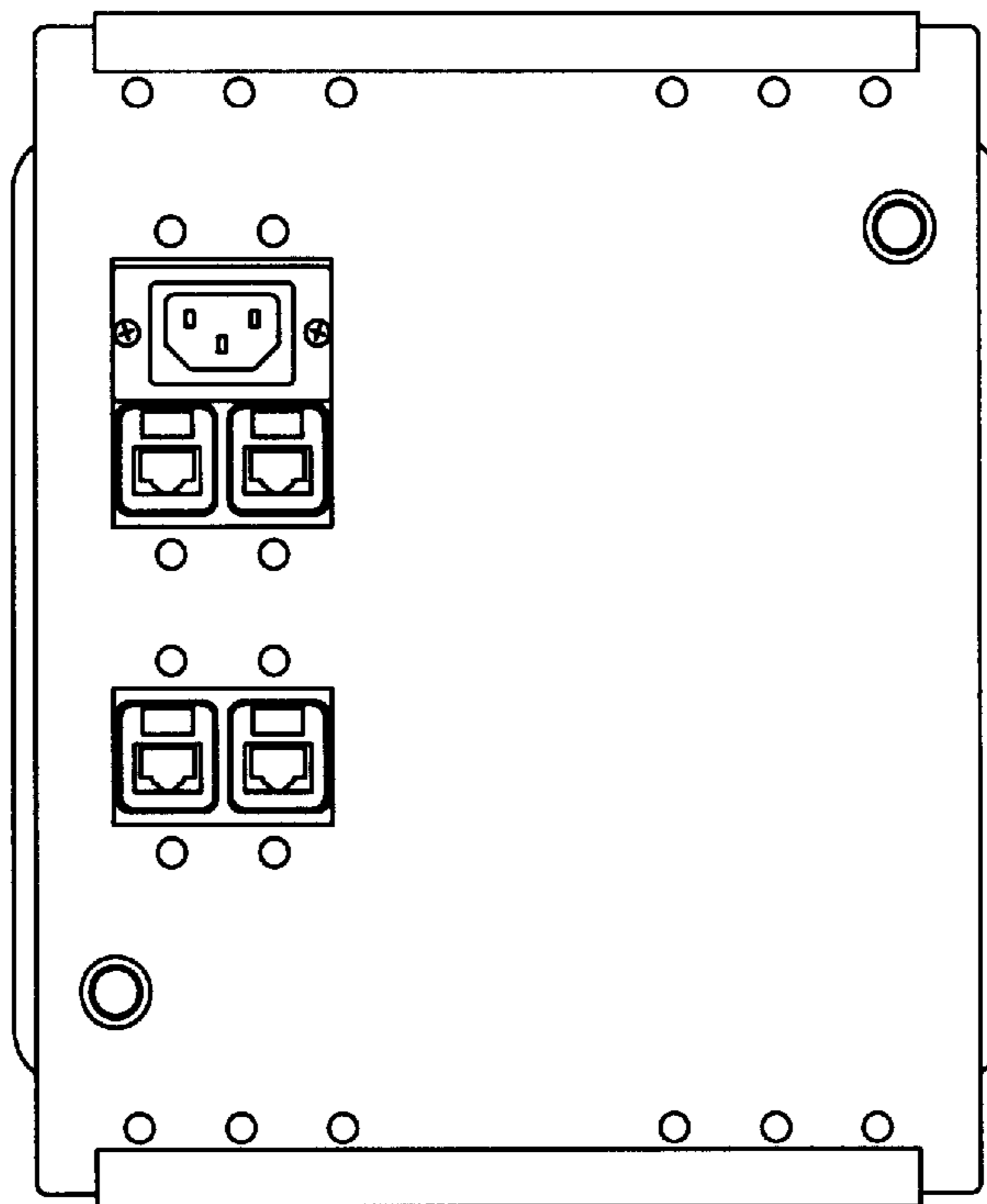


FIG. 7