



US00D512963S

(12) **United States Design Patent** (10) **Patent No.:** **US D512,963 S**  
**Lee** (45) **Date of Patent:** **\*\* Dec. 20, 2005**

(54) **DOUBLE SIDED WALL TAP**

D495,657 S \* 9/2004 Lee ..... D13/137.2

(75) Inventor: **Dominic Kan Nam Lee**, Hong Kong (CN)

\* cited by examiner

(73) Assignee: **Multiway Industries, Ltd.**, Hong Kong (HK)

*Primary Examiner*—Pamela Burgess  
*Assistant Examiner*—Rosemary Tarcza  
(74) *Attorney, Agent, or Firm*—Frost Brown Todd LLC

(\*\*) Term: **14 Years**

(57) **CLAIM**

(21) Appl. No.: **29/213,294**

The ornamental design for a double sided wall tap, as shown and described.

(22) Filed: **Sep. 15, 2004**

**DESCRIPTION**

(51) **LOC (6) Cl.** ..... **13-03**

FIG. 1 presents a pictorial view of my new double sided wall tap design.

(52) **U.S. Cl.** ..... **D13/137.2**

FIG. 2 presents a front elevational view of the double sided wall tap as illustrated in FIG. 1.

(58) **Field of Search** ..... D13/123, 133, D13/137.1–137.4, 139.1–139.8, 160; D26/26; 174/48–49, 53–57; 191/12 R, 12.4; 361/42; 439/105–107, 535–536, 538, 650–655

FIG. 3 presents a right side elevational view of the double sided wall tap illustrated in FIG. 1.

(56) **References Cited**

**U.S. PATENT DOCUMENTS**

- 2,636,096 A \* 4/1953 Di Blasi ..... 337/189
- 4,543,624 A \* 9/1985 Rumble ..... 363/146
- D364,826 S \* 12/1995 Wu ..... D10/75
- D401,555 S \* 11/1998 Tam ..... D13/137.3
- D442,550 S \* 5/2001 Tong et al. .... D1/137.2
- D467,873 S \* 12/2002 Yu ..... D13/137.2
- D468,848 S \* 1/2003 Schenck ..... D26/26
- D469,062 S \* 1/2003 Nieto et al. .... D13/137.2

FIG. 4 presents a rear elevational view of the double sided wall tap illustrated in FIG. 1.

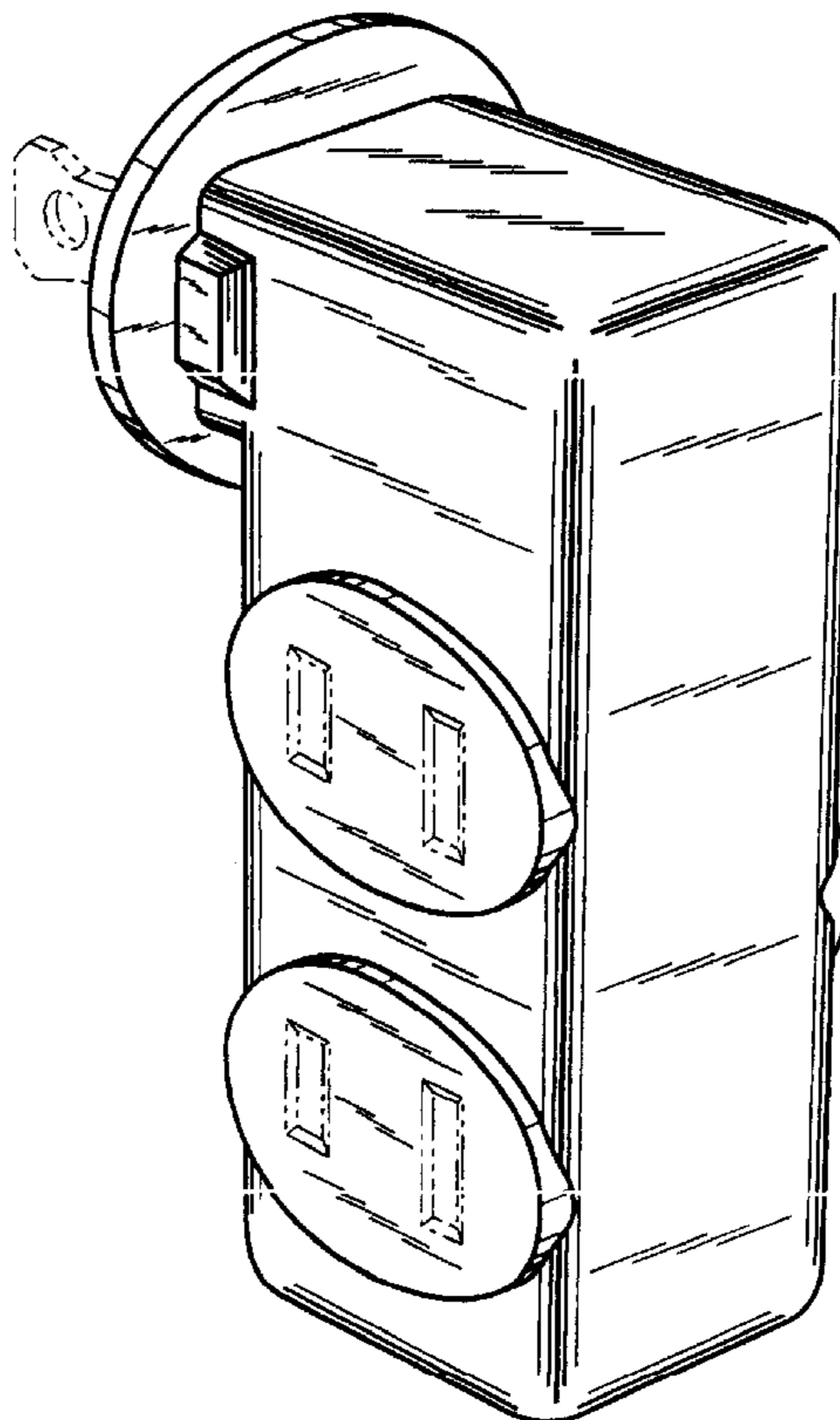
FIG. 5 presents a left side elevational view of the double sided wall tap illustrated in FIG. 1.

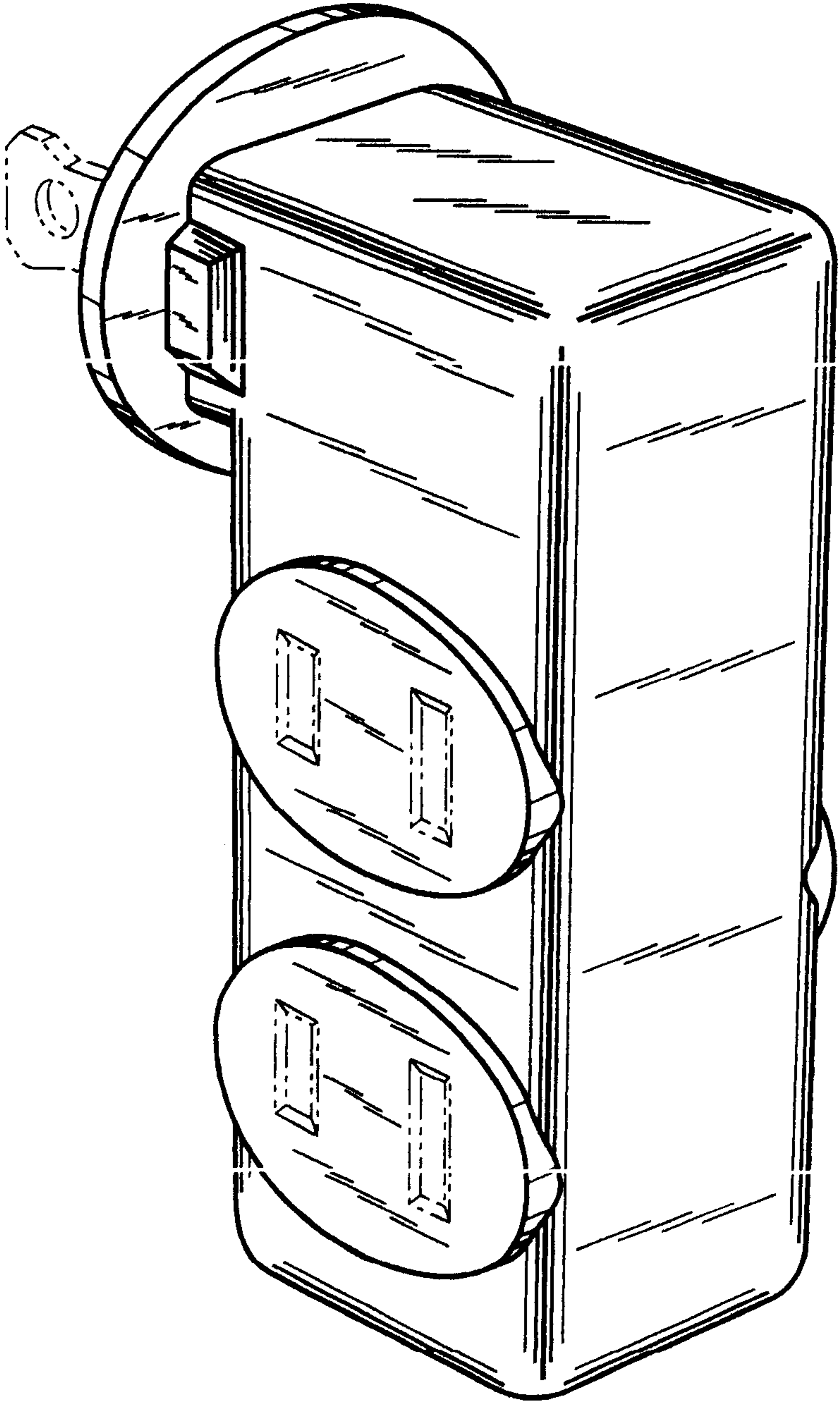
FIG. 6 presents a bottom view of the double sided wall tap illustrated in FIG. 1; and,

FIG. 7 presents a top view of the double sided wall tap illustrated in FIG. 1.

The broken lines in the drawings are for illustrative purposes only and form no part of the claimed design.

**1 Claim, 4 Drawing Sheets**





— FIG. 1

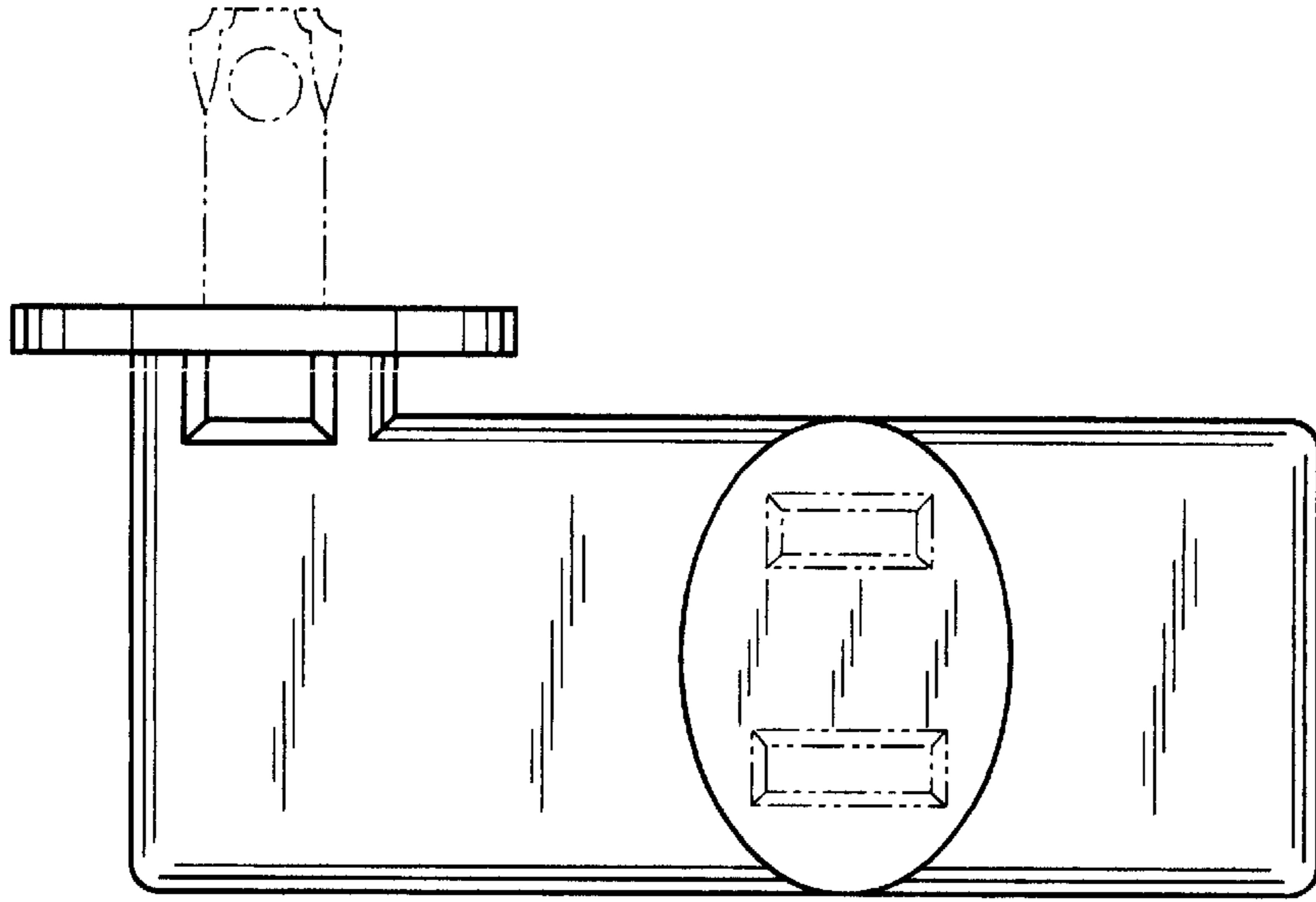


FIG. 3

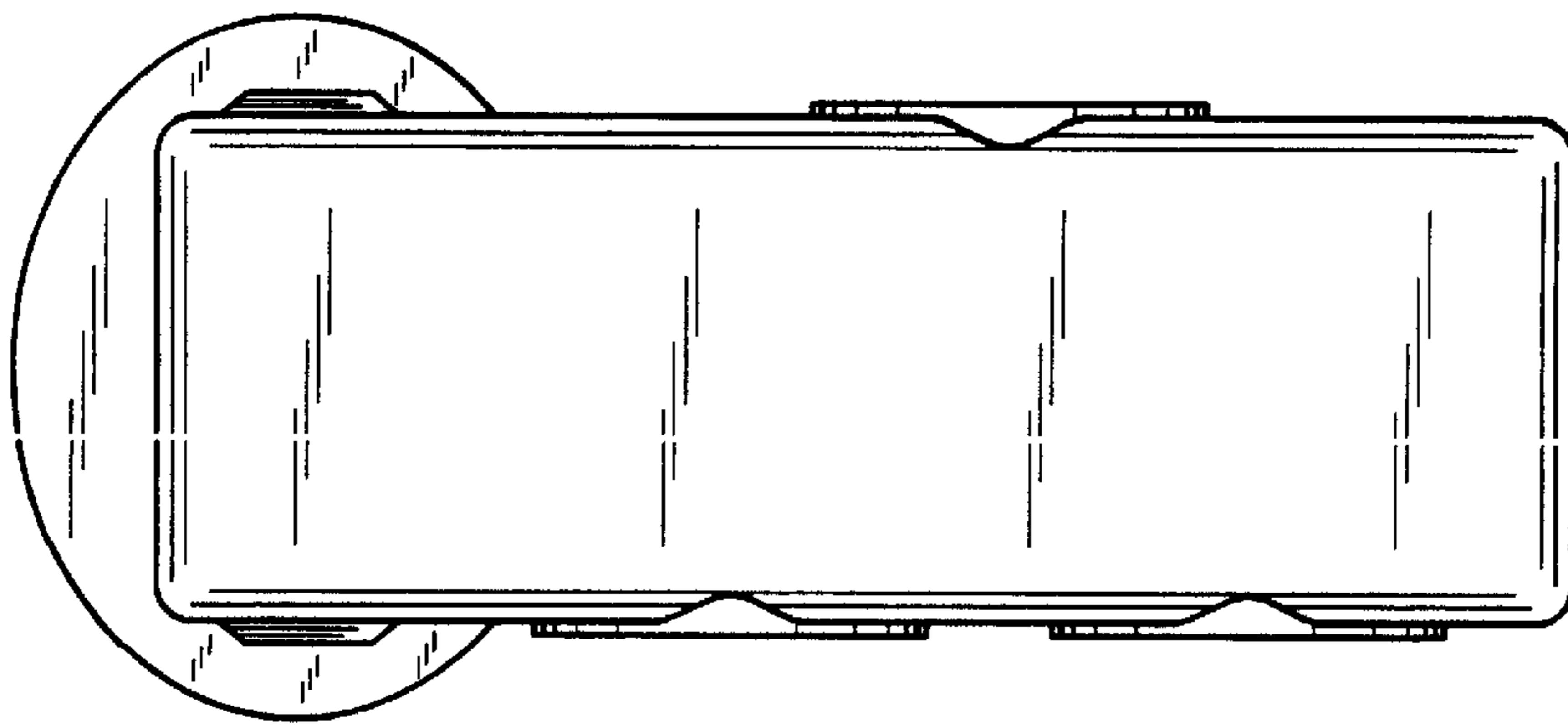


FIG. 2

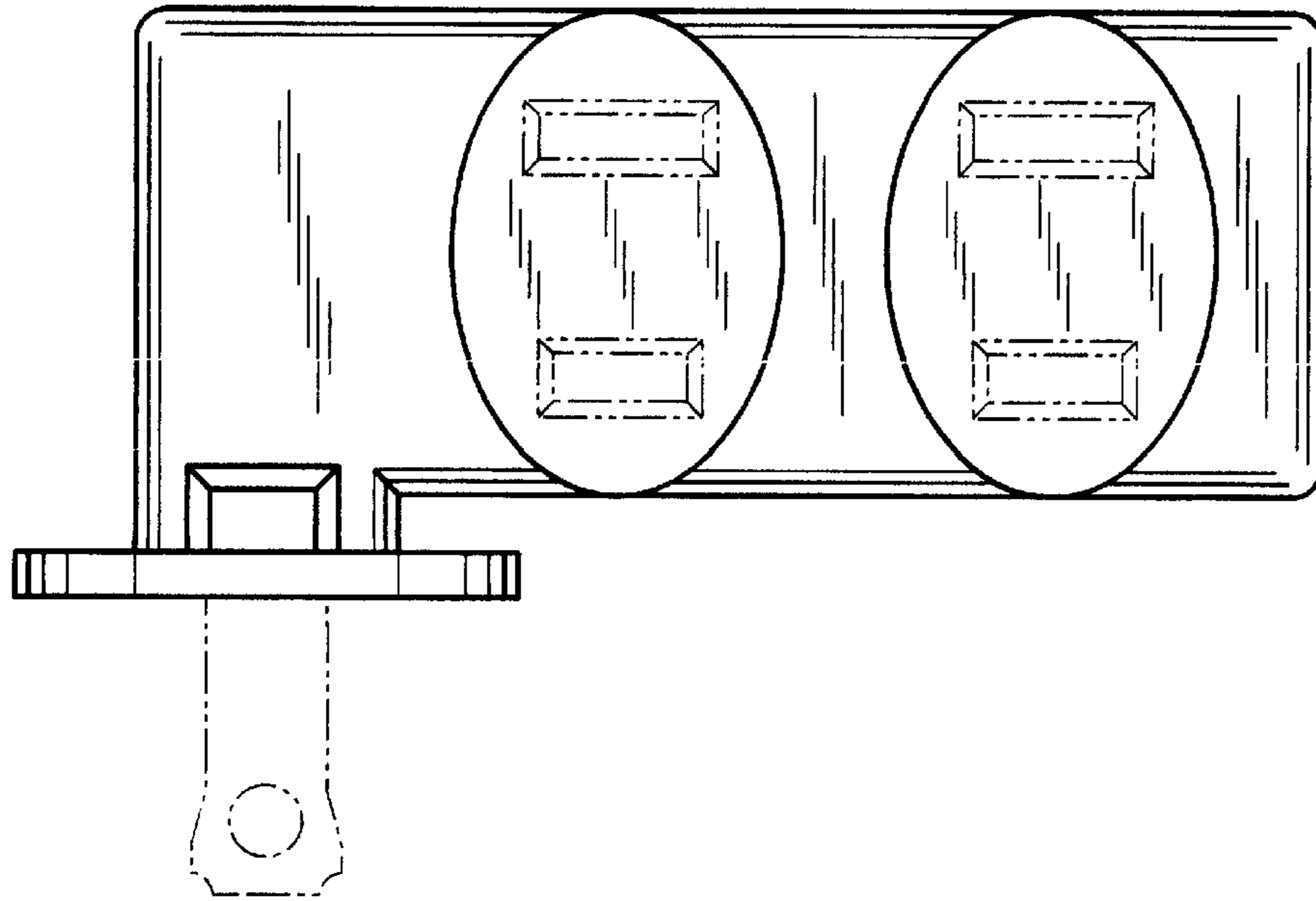


FIG. 5

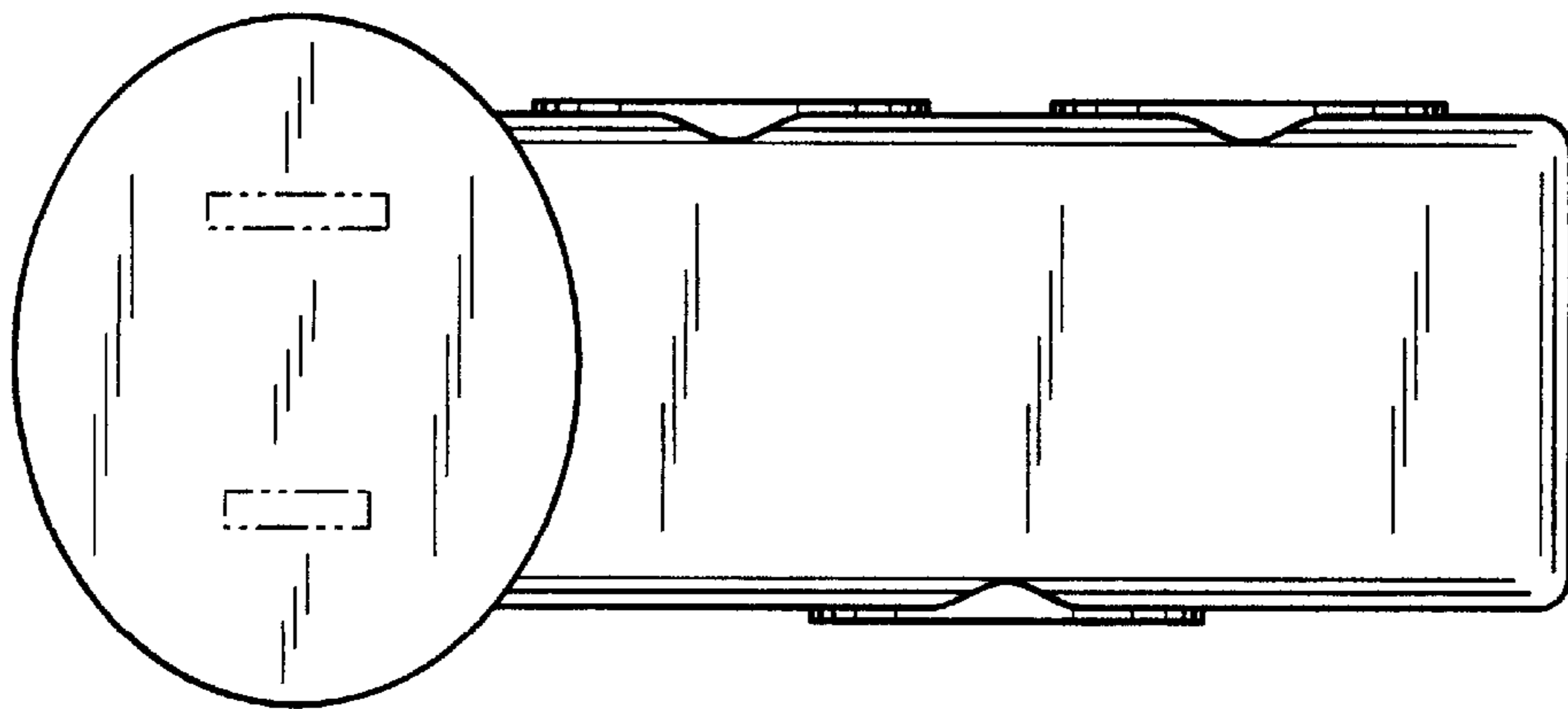
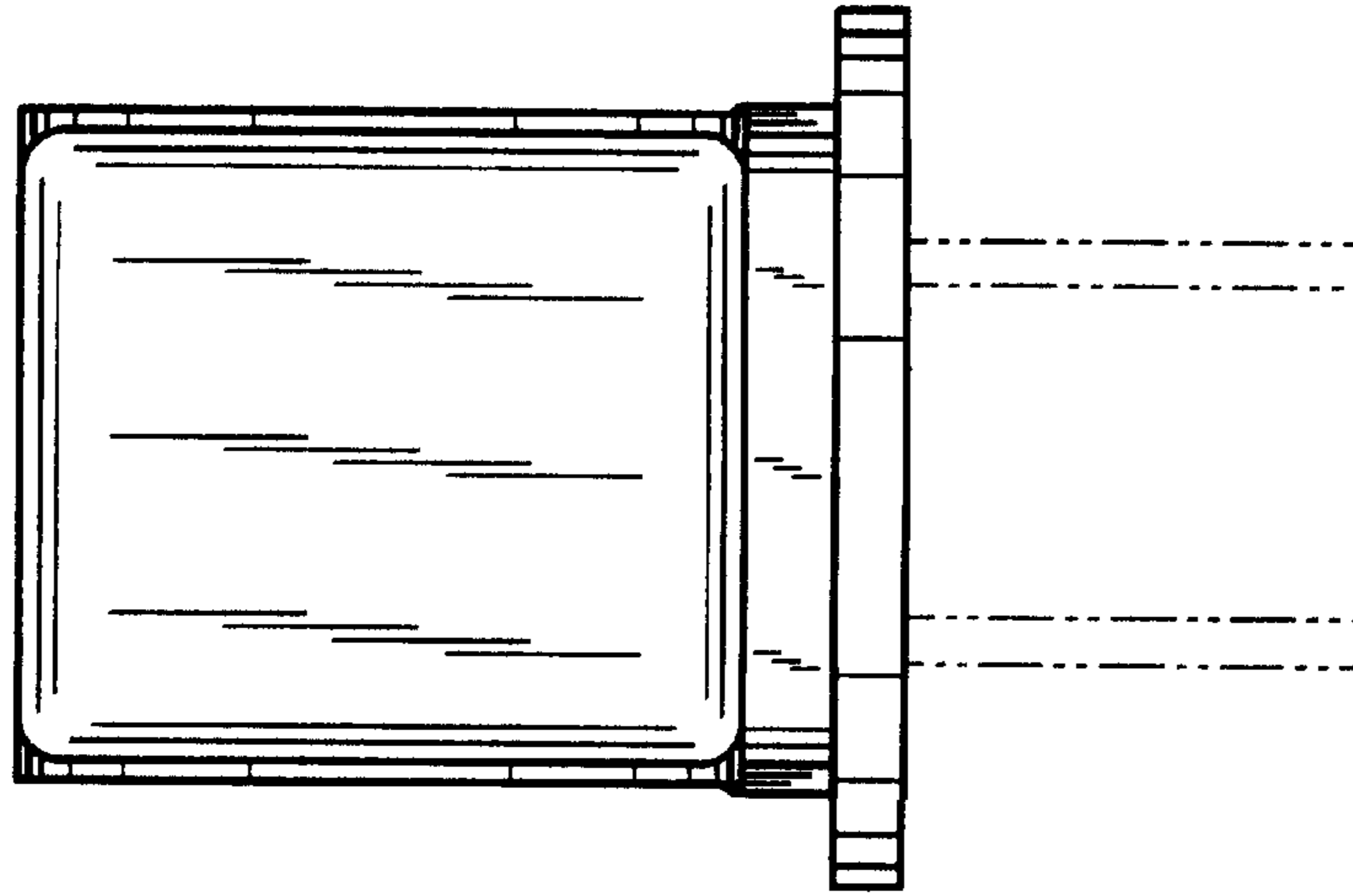
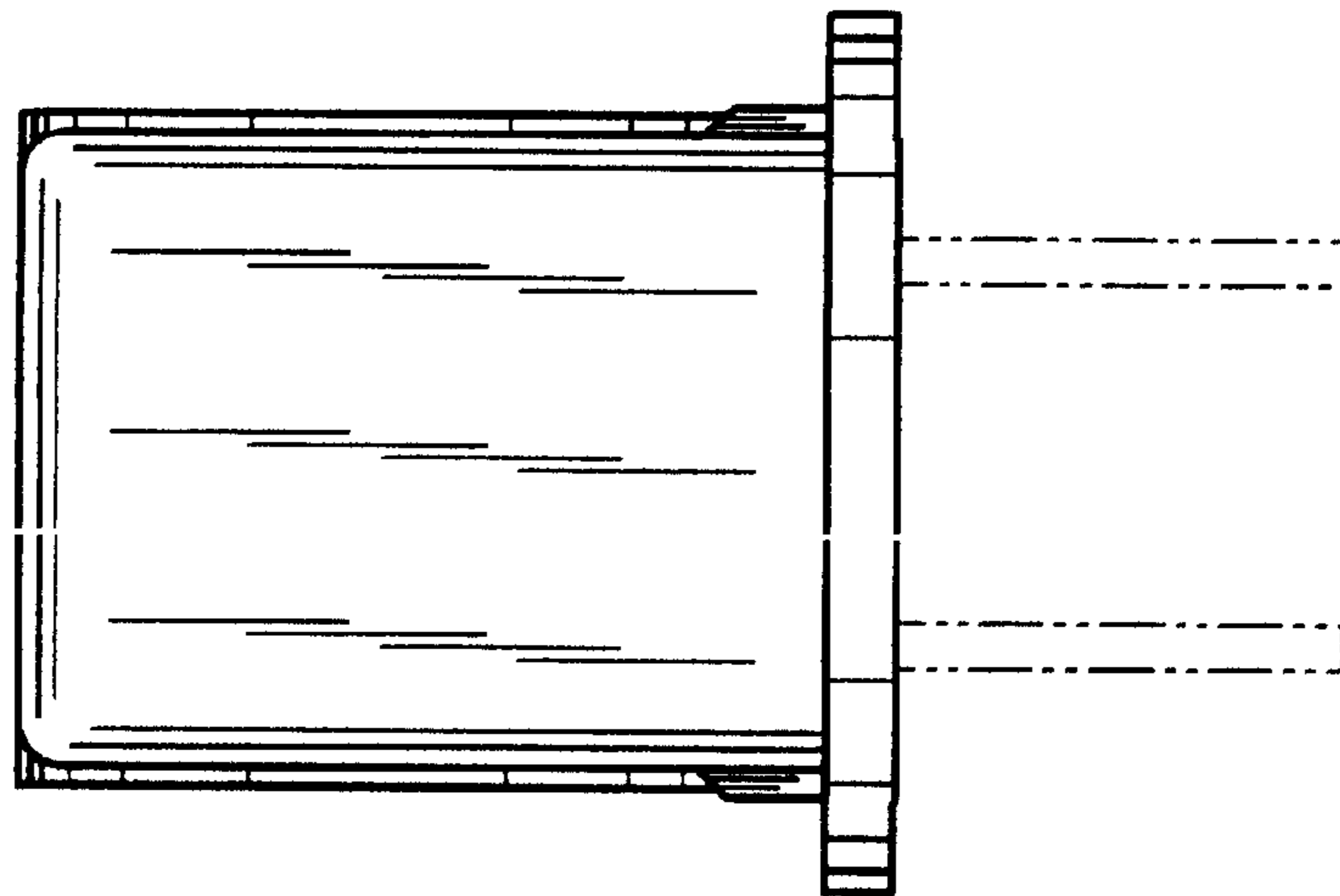


FIG. 4



—FIG. 6



—FIG. 7