



US00D512962S

(12) **United States Design Patent**  
**Nishizawa**

(10) **Patent No.:** **US D512,962 S**

(45) **Date of Patent:** **\*\* Dec. 20, 2005**

(54) **CHARGER FOR AN ELECTRIC SHAVER**

(75) Inventor: **Tsuyoshi Nishizawa, Yokohama (JP)**

(73) Assignee: **Matsushita Electric Works, Ltd.,  
Osaka (JP)**

(\*\*) Term: **14 Years**

(21) Appl. No.: **29/218,424**

(22) Filed: **Nov. 30, 2004**

(30) **Foreign Application Priority Data**

May 31, 2004 (JP) ..... 2004-016076

(51) **LOC (6) Cl.** ..... **13-02**

(52) **U.S. Cl.** ..... **D13/108**

(58) **Field of Search** ..... D13/107-110,  
D13/118-119, 184; D14/251, 253; 320/107-115

(56) **References Cited**

**U.S. PATENT DOCUMENTS**

D200,709 S	*	3/1965	Shalvoy	.....	D13/108
D313,221 S	*	12/1990	Skully et al.	.....	D13/108
D360,723 S	*	7/1995	Kasai et al.	.....	D32/73
D406,099 S	*	2/1999	Ng et al.	.....	D13/107
D416,536 S	*	11/1999	Ross et al.	.....	D13/107
D433,990 S	*	11/2000	Gudfin	.....	D13/108
D436,576 S	*	1/2001	Herrmann et al.	.....	D13/107
D455,397 S	*	4/2002	Weiner et al.	.....	D13/108
D462,950 S	*	9/2002	Waffensmith et al.	.....	D14/251
D475,347 S	*	6/2003	Sheehan et al.	.....	D13/108

D488,439 S	*	4/2004	Orthey	.....	D13/107
D501,205 S	*	1/2005	Quinn	.....	D14/253
2002/0153863 A1	*	10/2002	Arndt	.....	320/115

\* cited by examiner

*Primary Examiner*—Alan P. Douglas

*Assistant Examiner*—Rosemary Tarcza

(74) *Attorney, Agent, or Firm*—J.C. Patents

(57) **CLAIM**

The ornamental design for a charger for an electric shaver, as shown and described.

**DESCRIPTION**

FIG. 1 is a perspective view of a charger for electric shaver showing the new design.

FIG. 2 is a front elevational view thereof.

FIG. 3 is a rear elevational view thereof.

FIG. 4 is a left side elevational view thereof.

FIG. 5 is a right side elevational view thereof.

FIG. 6 is a top plan view thereof.

FIG. 7 is a bottom plan view thereof.

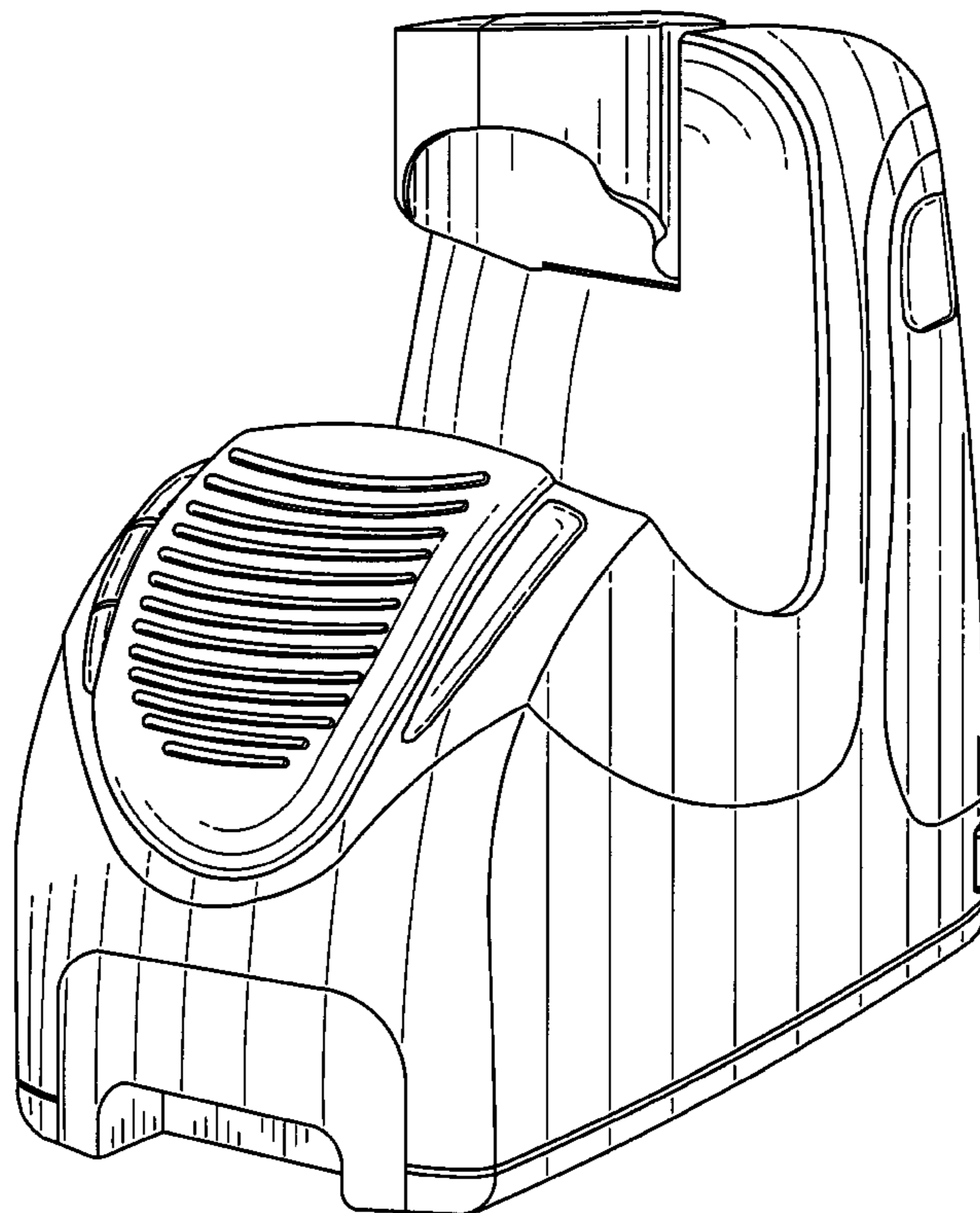
FIG. 8 is a cross-sectional view thereof taken along line 8—8 in FIG. 2 and omitting the interior construction.

FIG. 9 is a perspective view thereof when an arm of the charger has been extended; and,

FIG. 10 is a perspective view thereof when in use.

The broken line showing is for illustrative purpose and forms no part of the claimed design.

**1 Claim, 10 Drawing Sheets**



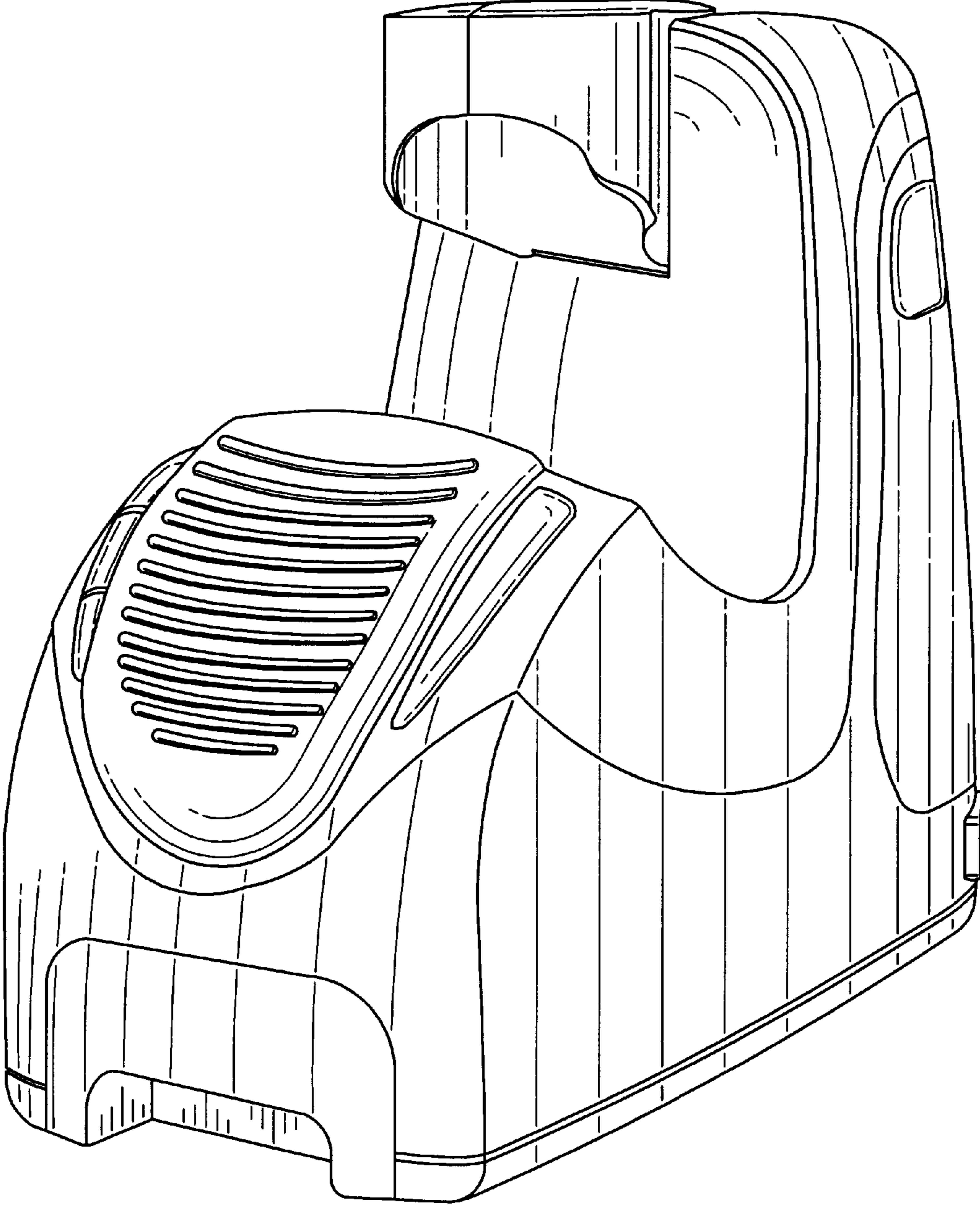


FIG. 1

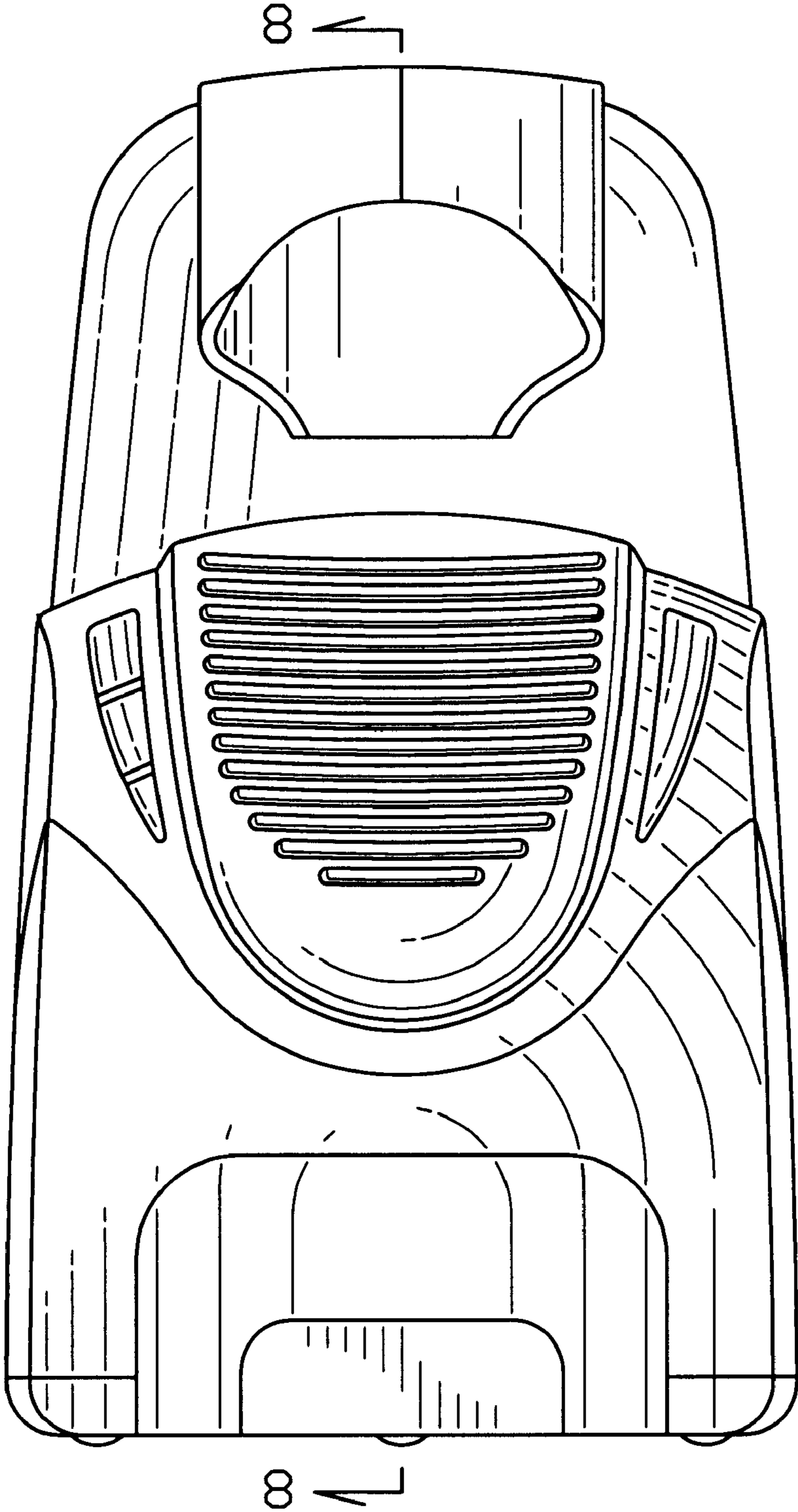


FIG. 2

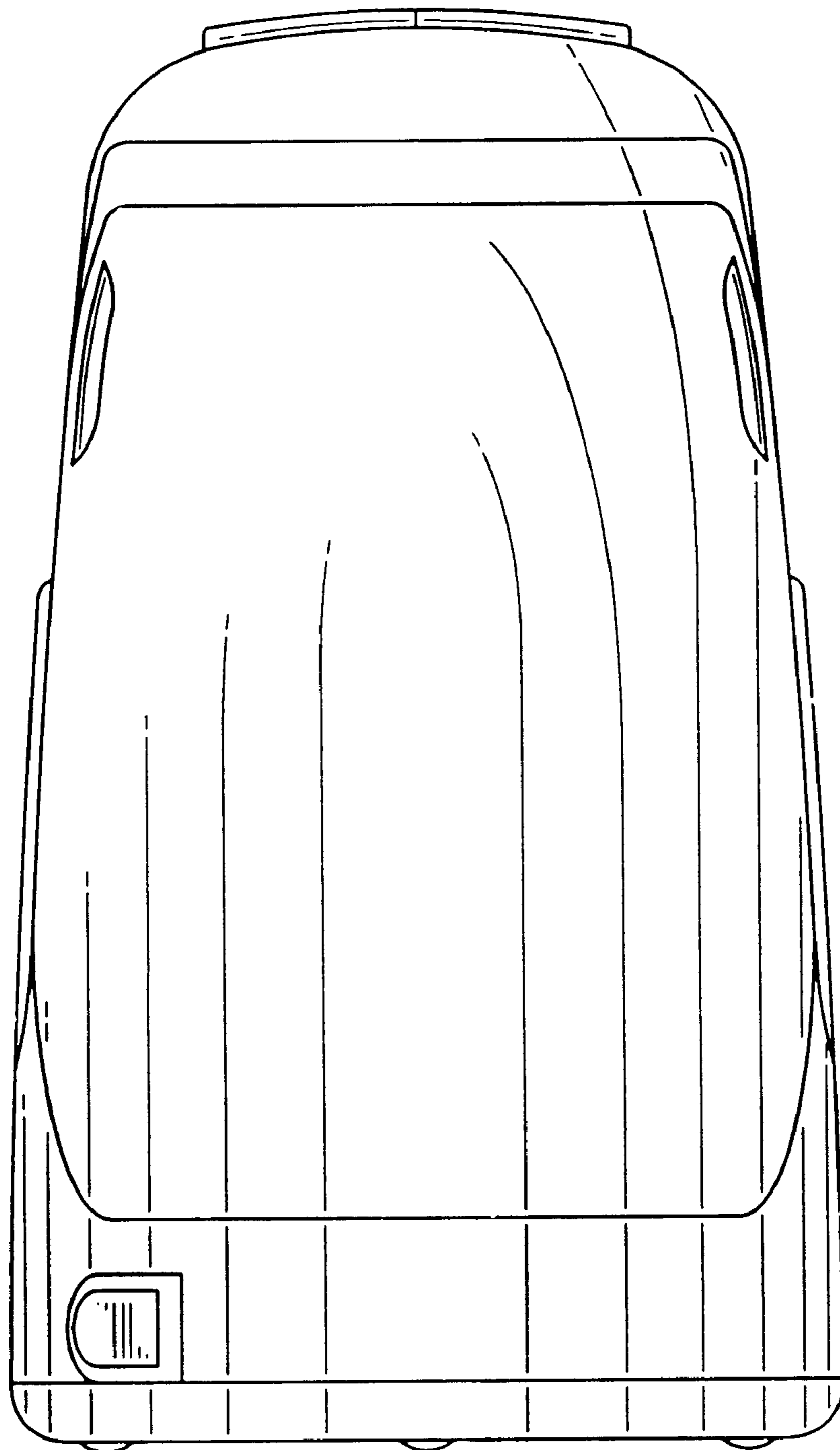


FIG. 3

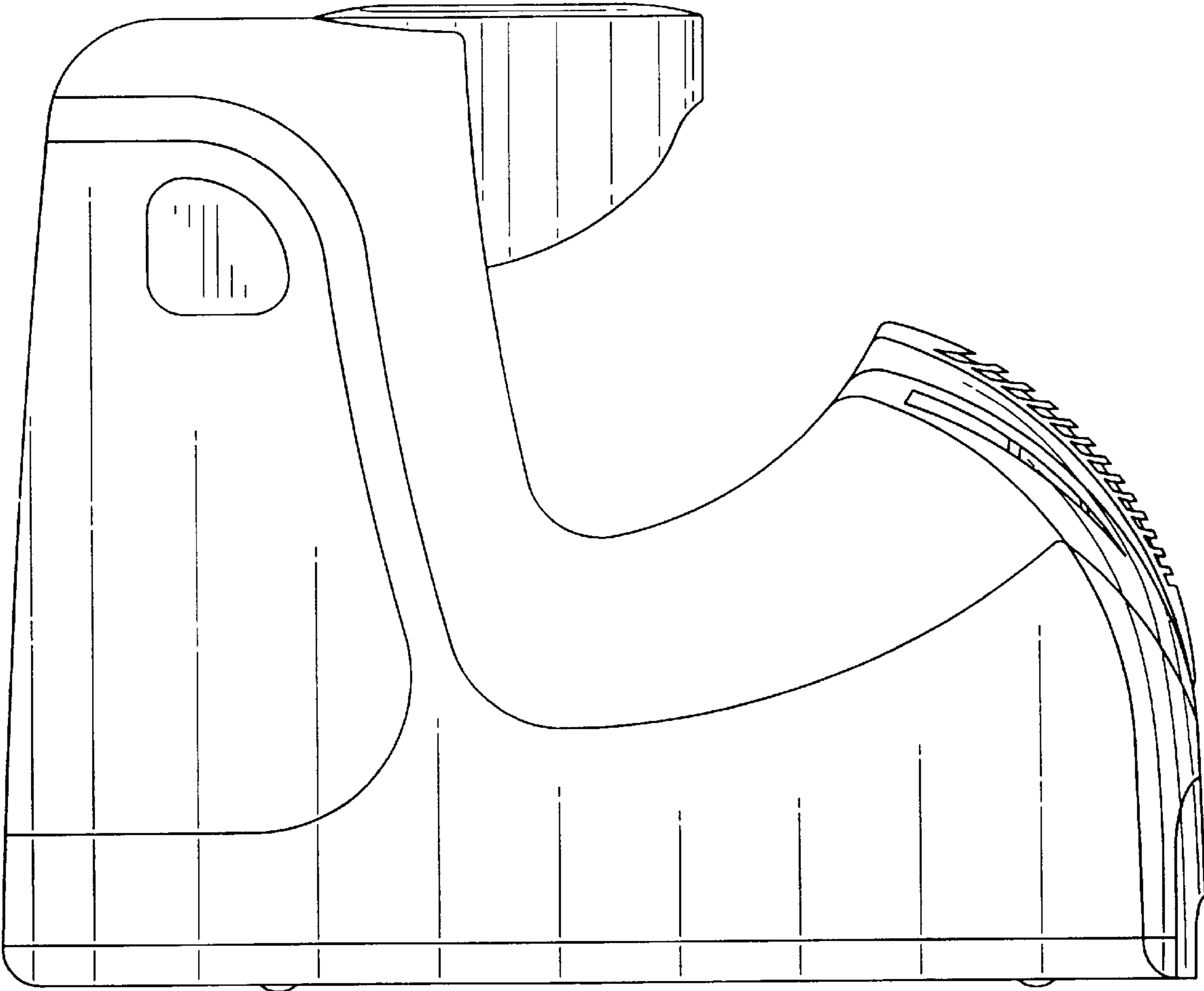


FIG. 4

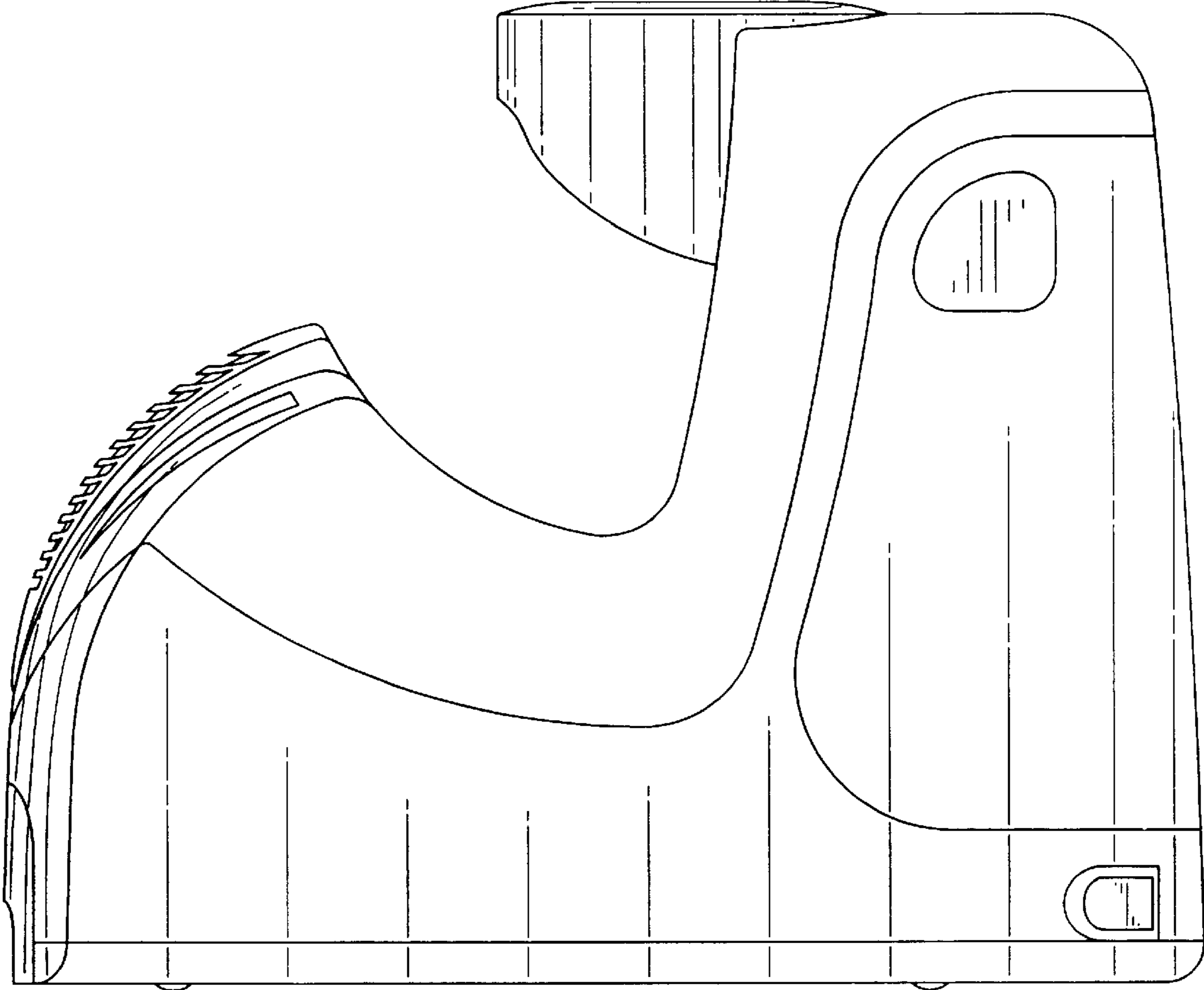


FIG. 5

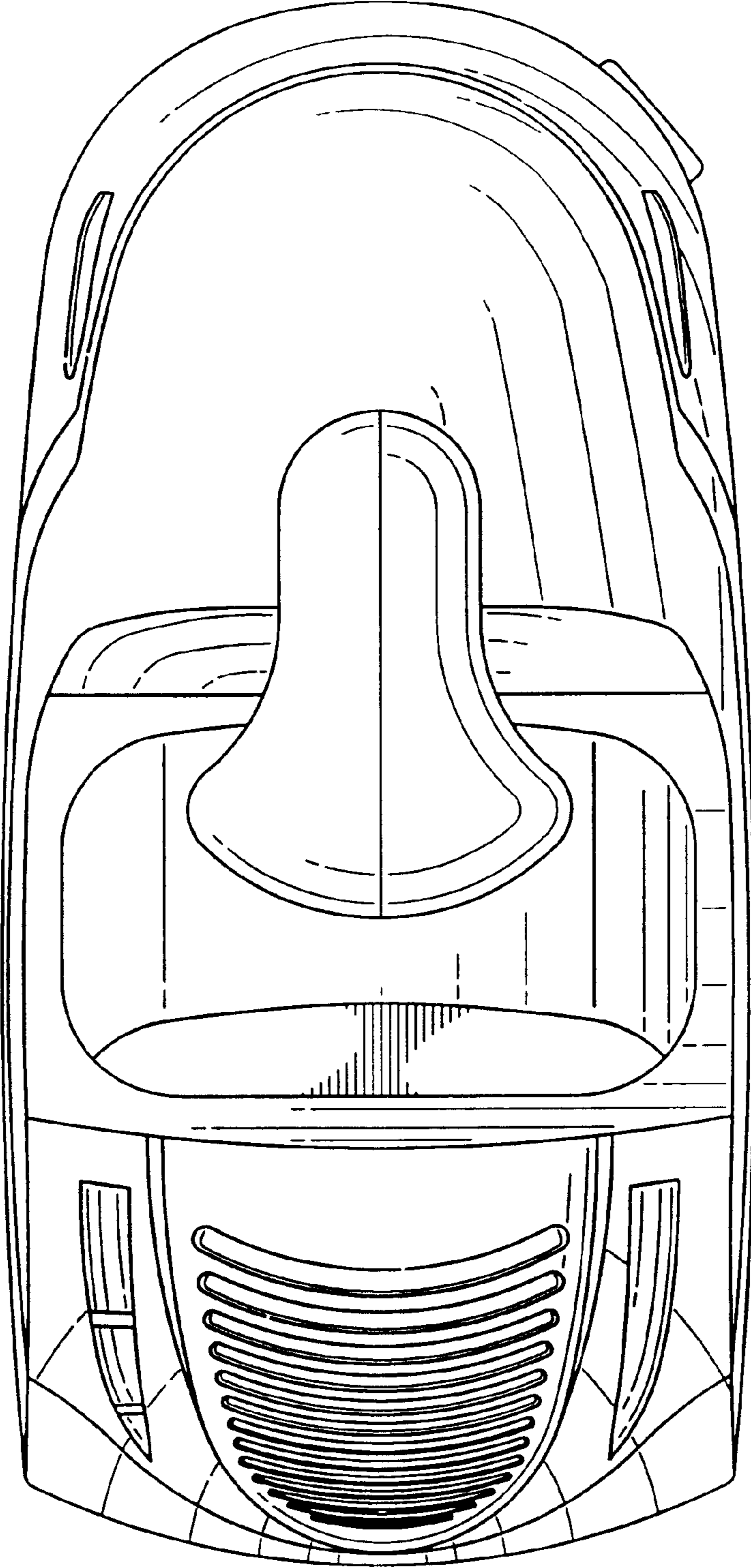


FIG. 6

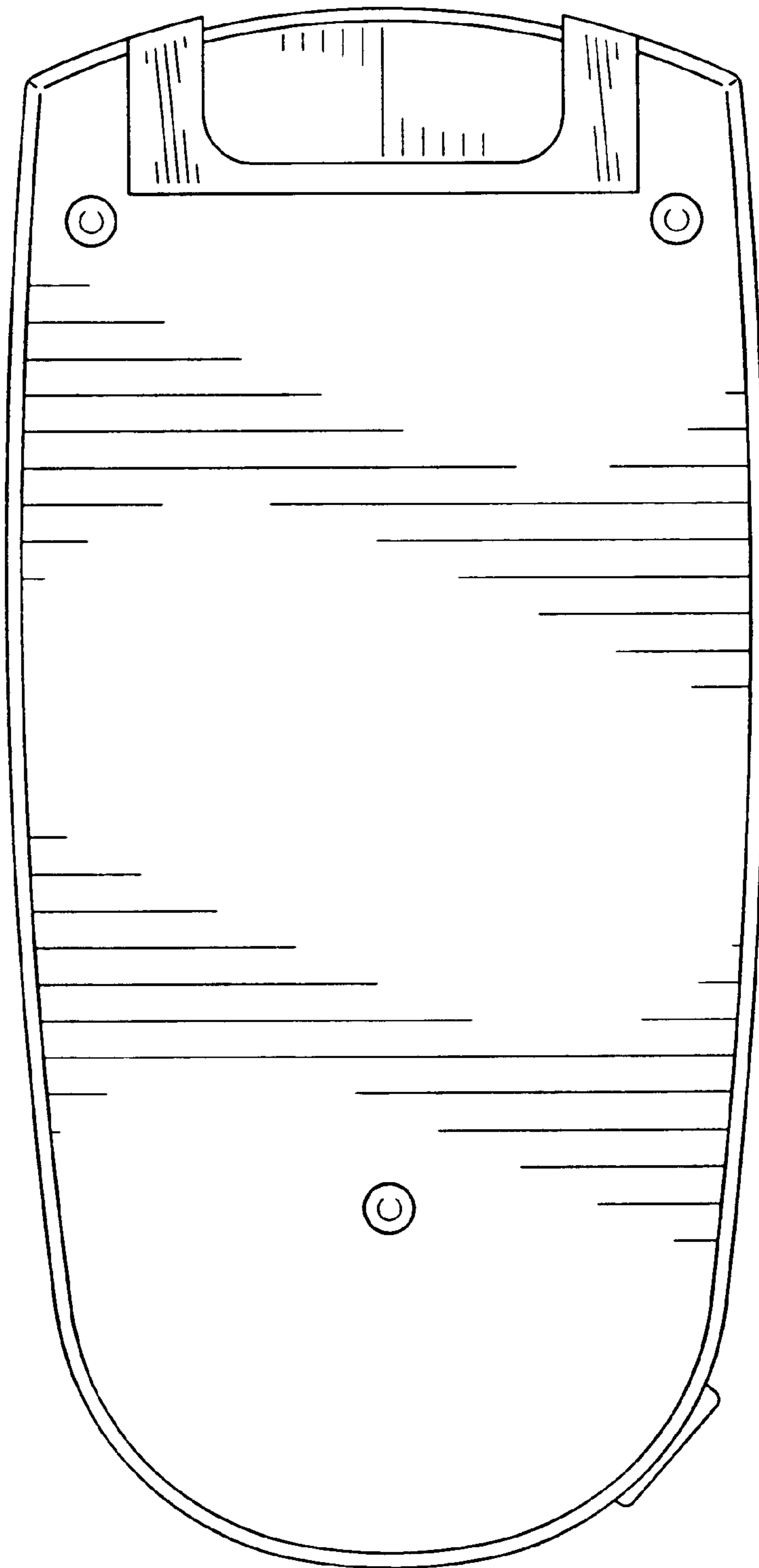


FIG. 7



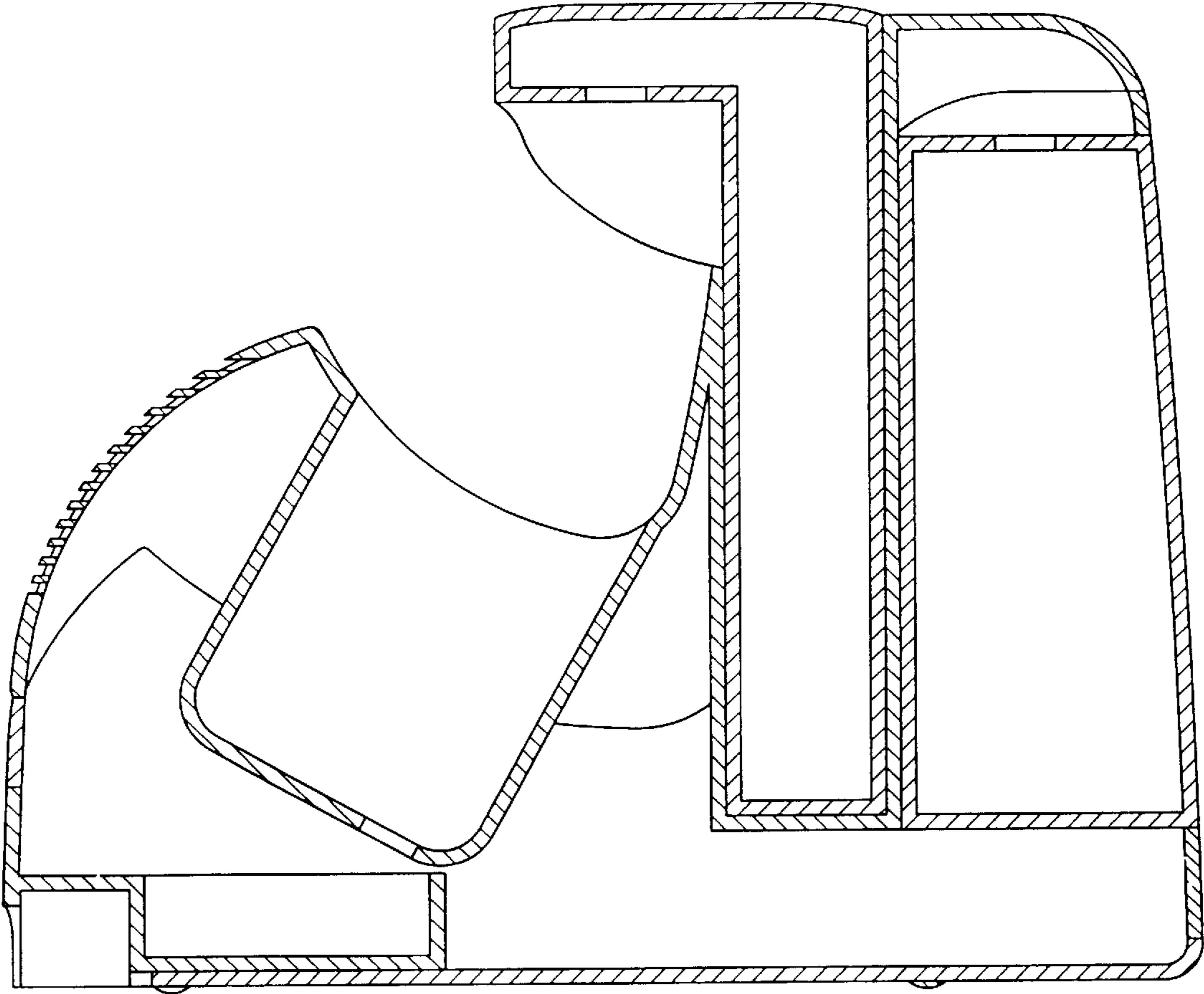


FIG. 8

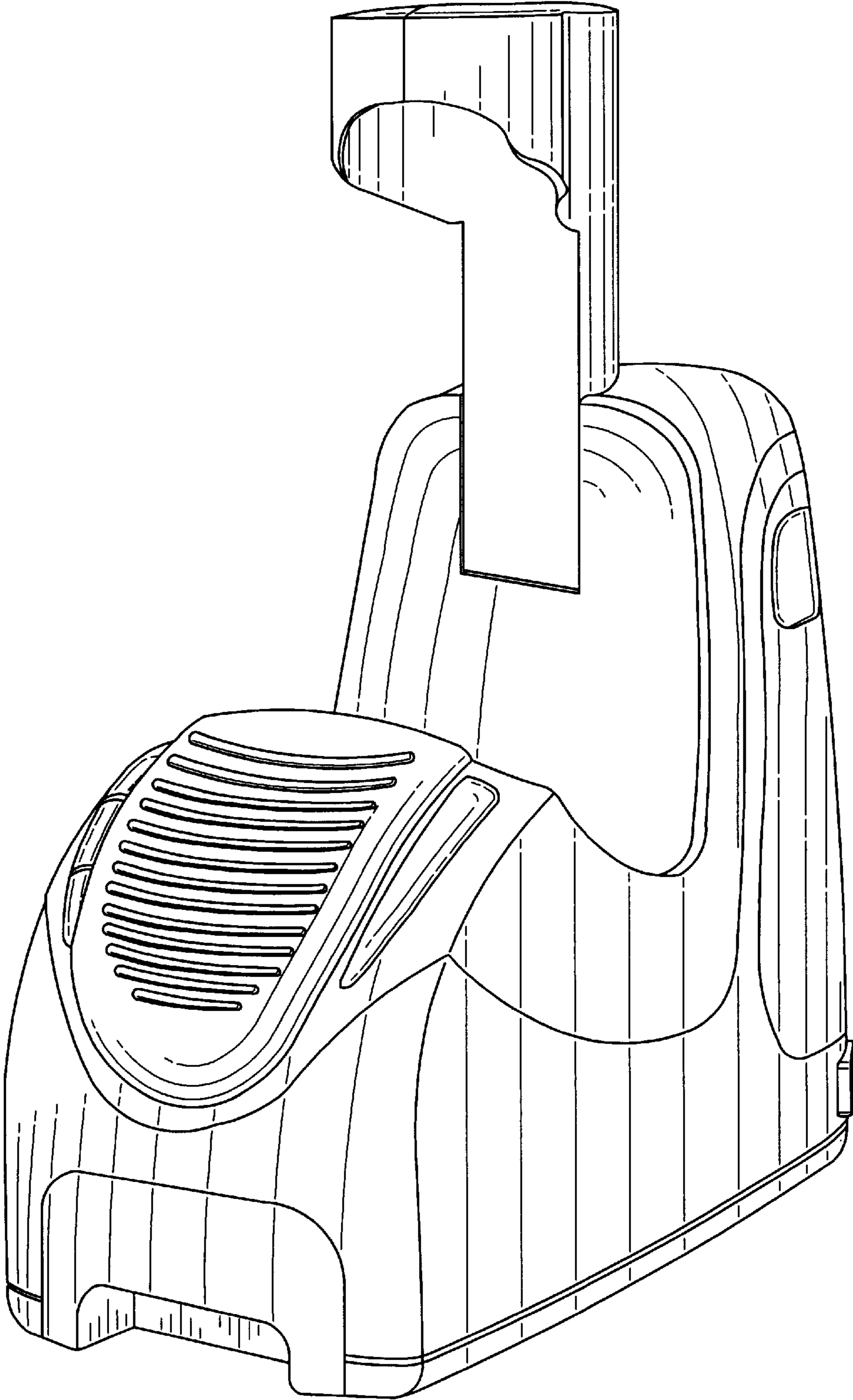


FIG. 9

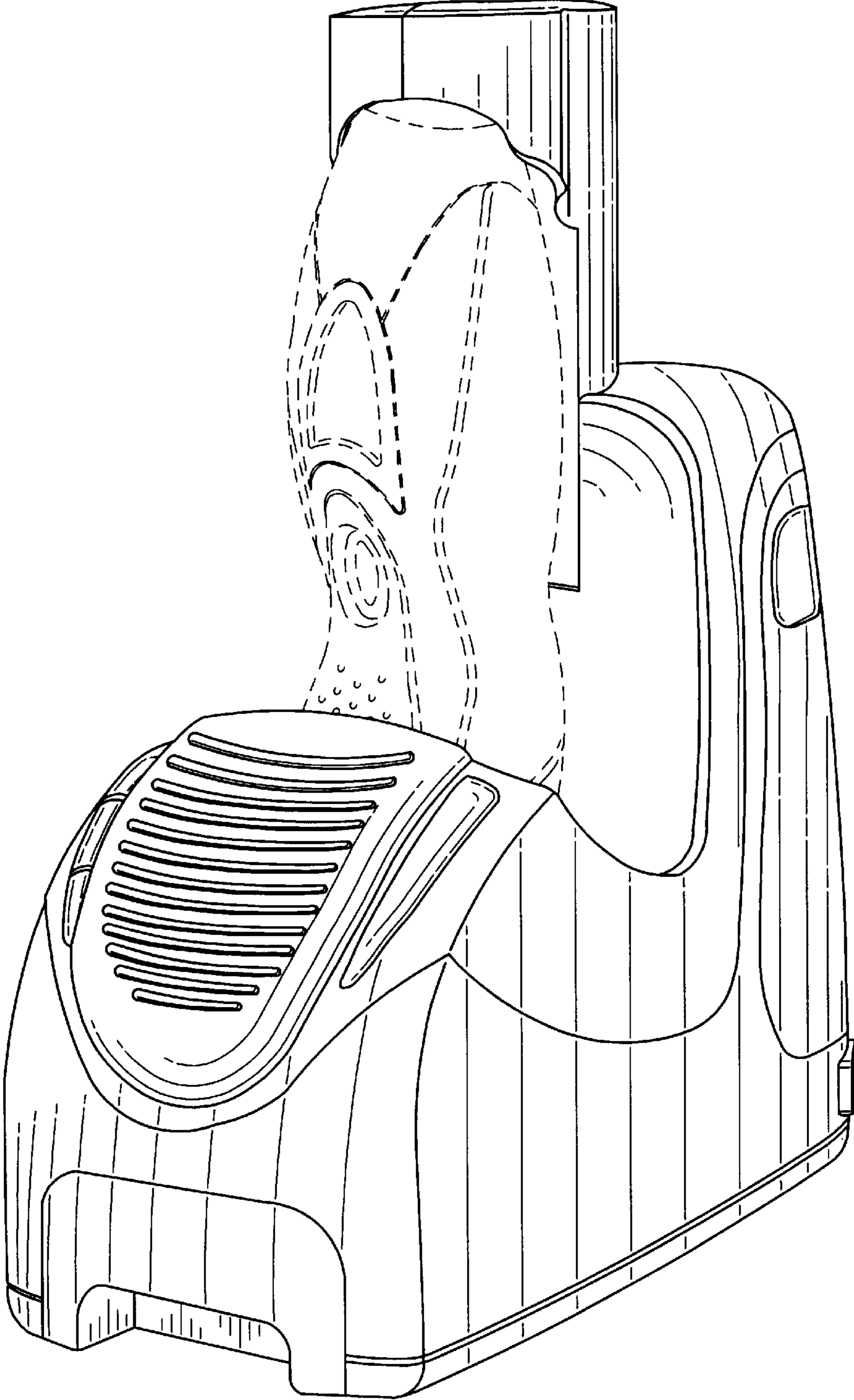


FIG. 10