



US00D512952S

(12) **United States Design Patent**  
**Juraschek**

(10) **Patent No.:** **US D512,952 S**

(45) **Date of Patent:** **\*\* Dec. 20, 2005**

(54) **SURFACE CONFIGURATION OF A ROLLOVER BAR FOR A VEHICLE**

(75) **Inventor:** **Romuald Juraschek, Athengstett (DE)**

(73) **Assignee:** **Dr. Ing. h.c.F. Porsche Aktiengesellschaft, Stuttgart (DE)**

(\*\*) **Term:** **14 Years**

(21) **Appl. No.:** **29/217,834**

(22) **Filed:** **Nov. 23, 2004**

(30) **Foreign Application Priority Data**

May 24, 2004 (DE) ..... 4 04 03 160

(51) **LOC (6) Cl. .... 12-06**

(52) **U.S. Cl. .... D12/222**

(58) **Field of Search** ..... D12/222, 401, D12/14, 190; D34/33-34; 105/163.1; 212/294-295, 180; 280/748, 762, 770; 296/1.1, 95.1, 97.4, 10, 136.01-136.03, 225, 180.1; 414/543, 560

(56) **References Cited**

**U.S. PATENT DOCUMENTS**

- D194,665 S \* 2/1963 Bordinot ..... D12/401
- D337,554 S \* 7/1993 Lucas ..... D12/401
- D347,205 S \* 5/1994 Huisman ..... D12/222

- D373,985 S \* 9/1996 Weaver et al. .... D12/401
- D374,651 S \* 10/1996 Townsend ..... D12/401
- D388,385 S \* 12/1997 Protz, Sr. .... D12/222
- D391,547 S \* 3/1998 Lehmann et al. .... D12/401
- D399,476 S \* 10/1998 Duncan ..... D12/222
- D487,719 S \* 3/2004 Powers ..... D12/401

\* cited by examiner

*Primary Examiner*—Stacia Cadmus

(74) *Attorney, Agent, or Firm*—Crowell & Moring LLP

(57) **CLAIM**

The ornamental design for a surface configuration of a rollover bar for a vehicle, as shown and described.

**DESCRIPTION**

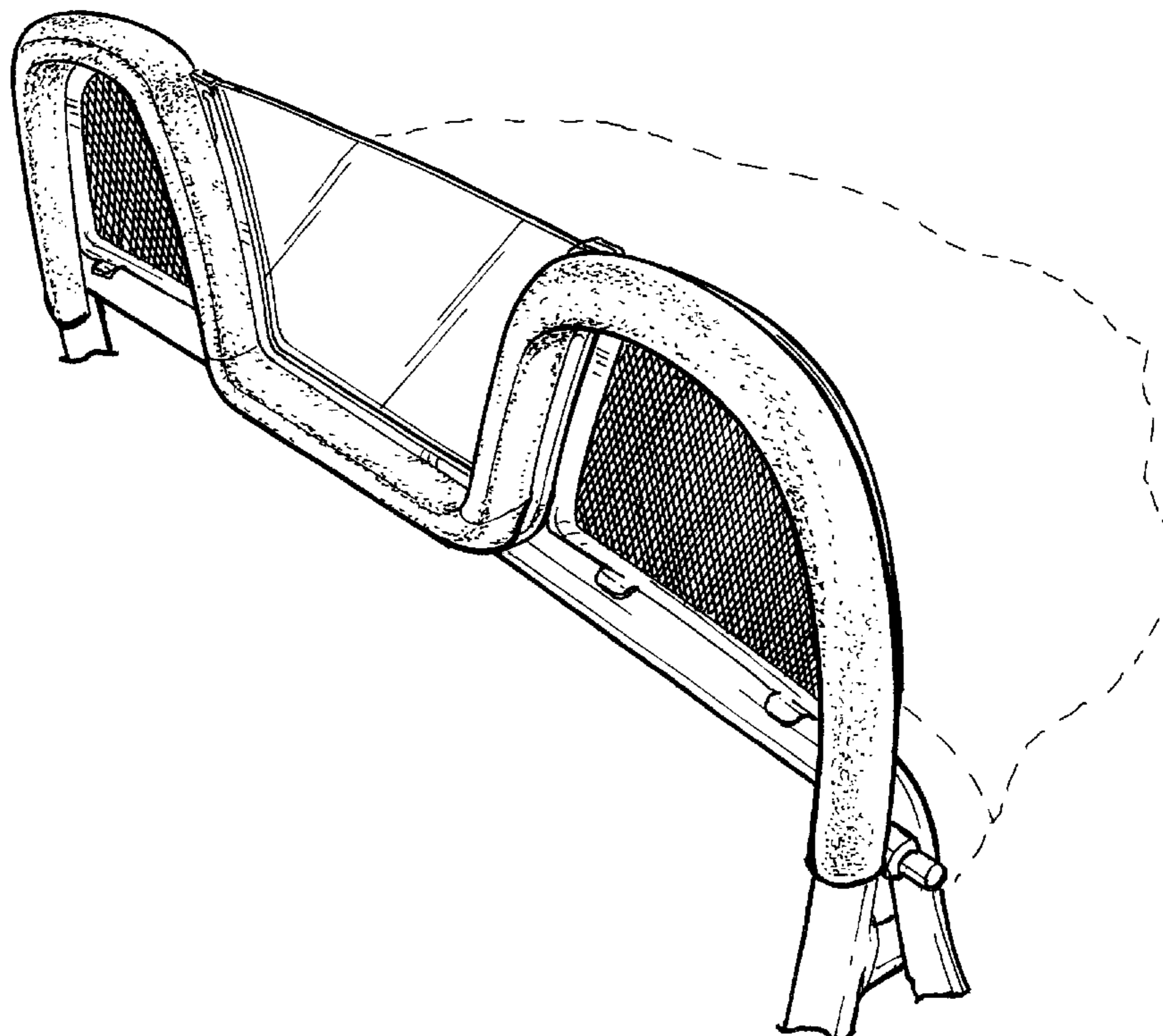
FIG. 1 is a rear view of a surface configuration of a rollover bar for a vehicle according to my novel design;

FIG. 2 is a rear perspective view of the surface configuration of a rollover bar for a vehicle according to my novel design; FIG. 3 is a front perspective view of the surface configuration of a rollover bar for a vehicle according to my novel design; and,

FIG. 4 is a elevated side view of the surface configuration of a rollover bar for a vehicle according to my novel design.

The broken lines are for illustrative purposes only and form no part of the claimed design. Also enclosed is a set of photographs of an embodiment of the design.

**1 Claim, 2 Drawing Sheets**



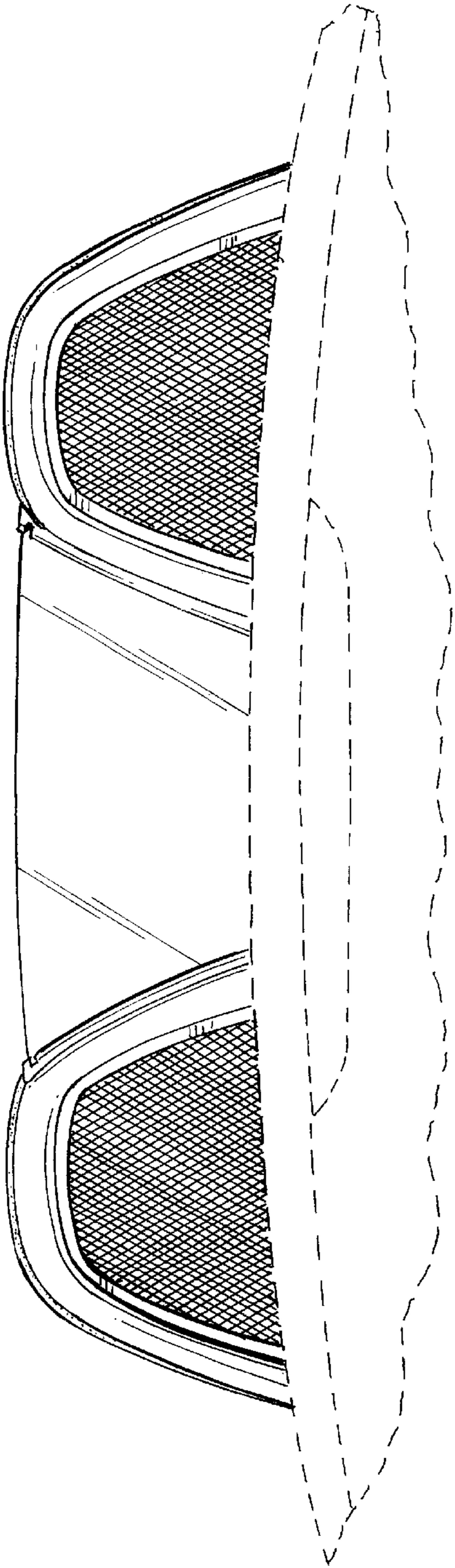


FIG. 1

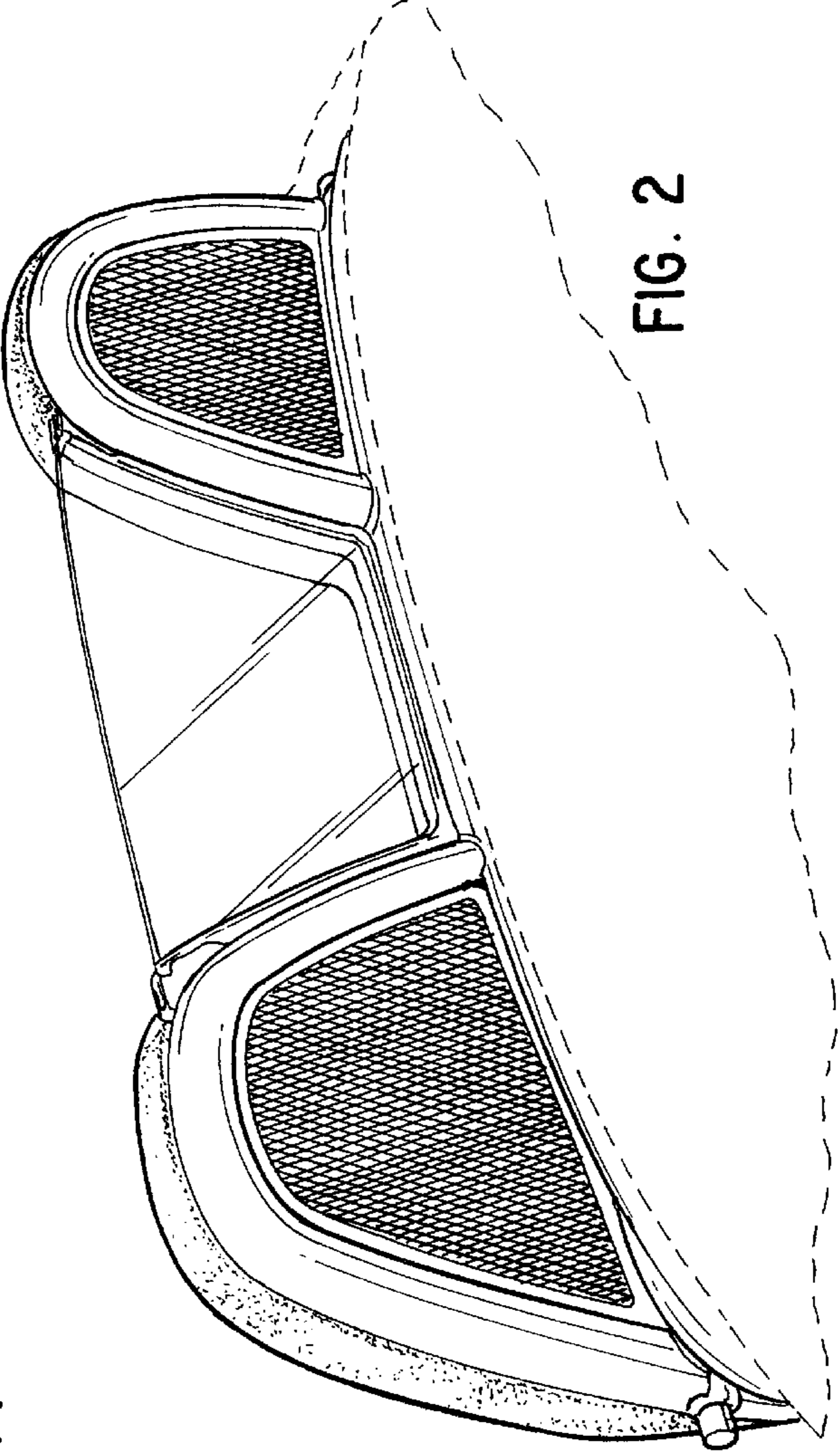


FIG. 2

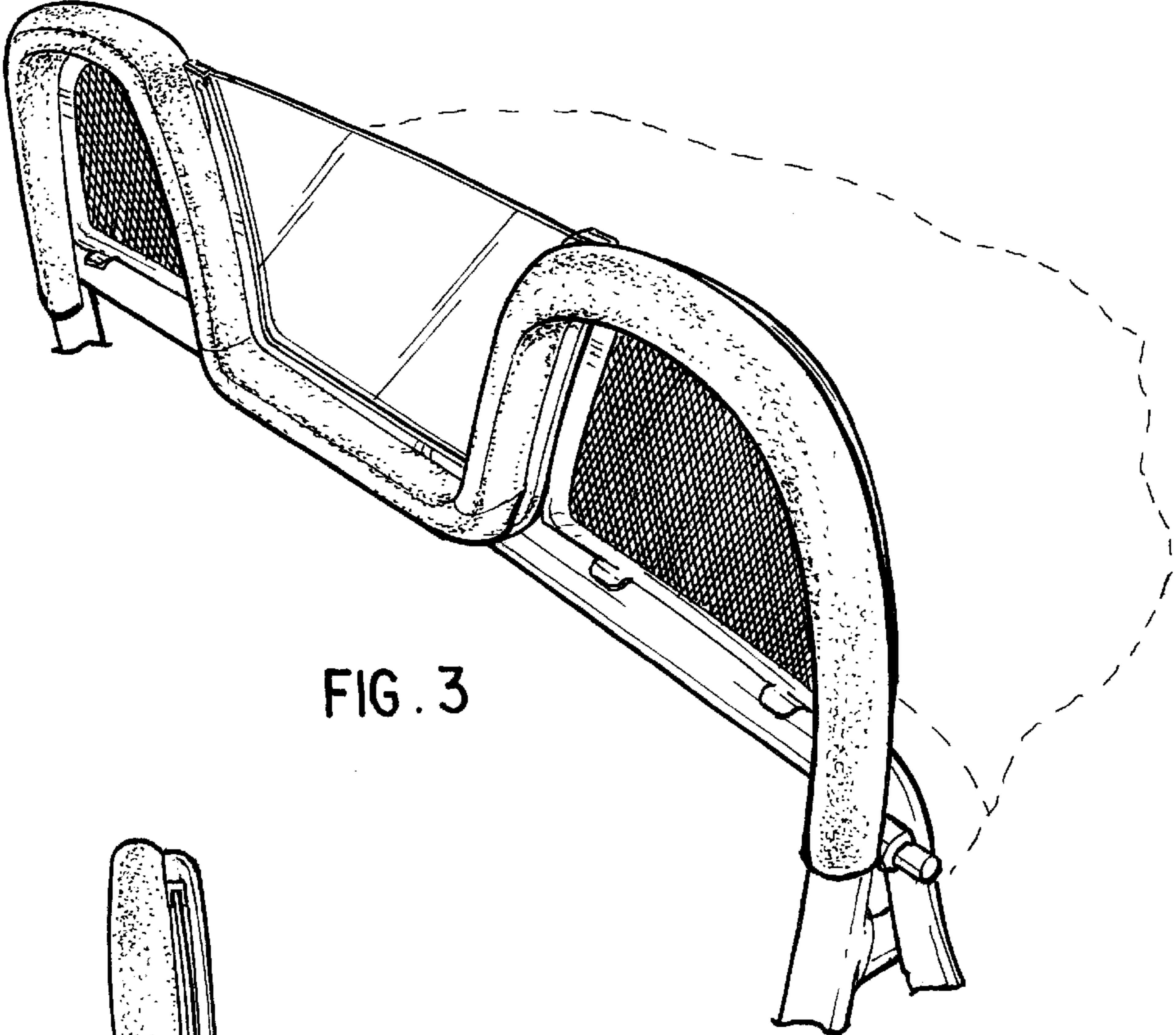


FIG. 3

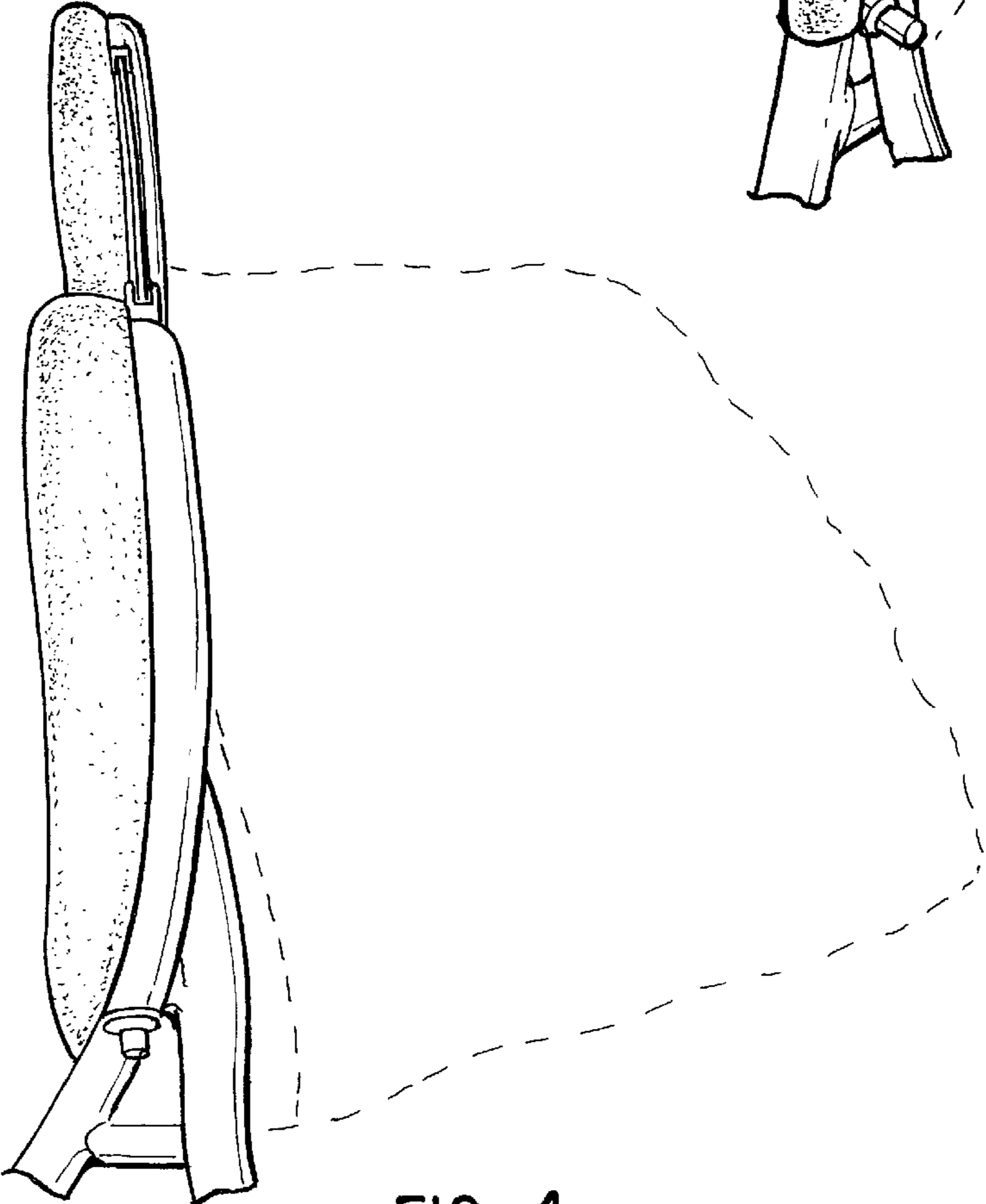


FIG. 4