



US00D512950S

(12) **United States Design Patent**
Kondo

(10) **Patent No.:** **US D512,950 S**

(45) **Date of Patent:** **** Dec. 20, 2005**

(54) **PORTABLE WHEEL STOPPER SYSTEM**

(76) Inventor: **Hironobu Kondo**, Ohizumigakuen-cho
6-1-12, Nerima-ku, Tokyo (JP)

(**) Term: **14 Years**

(21) Appl. No.: **29/170,569**

(22) Filed: **Nov. 7, 2002**

(51) **LOC (6) Cl.** **12-06**

(52) **U.S. Cl.** **D12/217**

(58) **Field of Search** D12/203, 217,
D12/114, 120; 410/30-49; 5/417; 280/293;
267/139-140; 188/32, 36, 4 R; 224/524

(56) **References Cited**

U.S. PATENT DOCUMENTS

2,810,459	A	*	10/1957	Nitz	D12/217	X
D196,773	S	*	10/1963	Carter	D12/217	
D229,330	S	*	11/1973	Miles	D12/217	
D253,408	S	*	11/1979	Sargent	D12/217	
D280,611	S	*	9/1985	Nelson	D12/217	
D316,243	S	*	4/1991	Henry	D12/217	
D350,525	S	*	9/1994	Robinson	D12/217	
D366,443	S	*	1/1996	Bach et al.	D12/217	
D401,210	S	*	11/1998	Chiang	D12/217	
D410,887	S	*	6/1999	Henry	D12/217	
D419,949	S	*	2/2000	Hundrieser	D12/217	

D422,960	S	*	4/2000	Henry	D12/217
D433,660	S	*	11/2000	Hough	D12/217

* cited by examiner

Primary Examiner—Stacia Cadmus

(57) **CLAIM**

The ornamental design for a portable wheel stopper system, as shown and described.

DESCRIPTION

FIG. 1 is a front view of a portable wheel stopper system, showing my new design;
 FIG. 2 is a rear view thereof;
 FIG. 3 is a top view thereof;
 FIG. 4 is a bottom view thereof;
 FIG. 5 is a front perspective view of a portable wheel stopper system shown in its position of use with the mat portion shown in extended condition;
 FIG. 6 is a front perspective view of a portable wheel stopper system shown in its position of use with the mat portion shown rolled up around the wheel stopper portion;
 FIG. 7 is a rear perspective view of FIG. 5;
 FIG. 8 is a rear perspective view of FIG. 6;
 FIG. 9 is a left side view of FIG. 5; and,
 FIG. 10 is a right side view of FIG. 5.

1 Claim, 5 Drawing Sheets

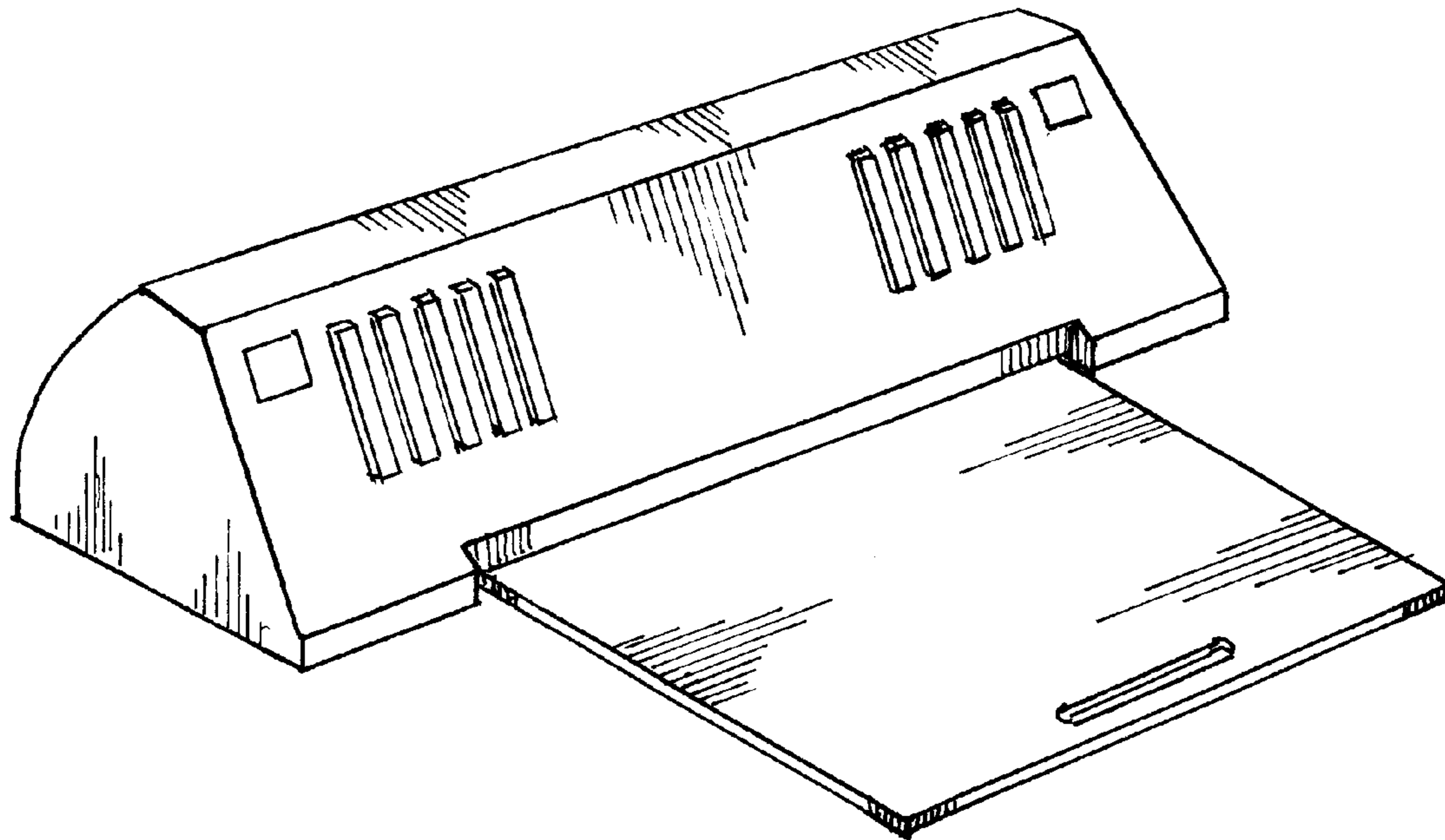


FIG. 1

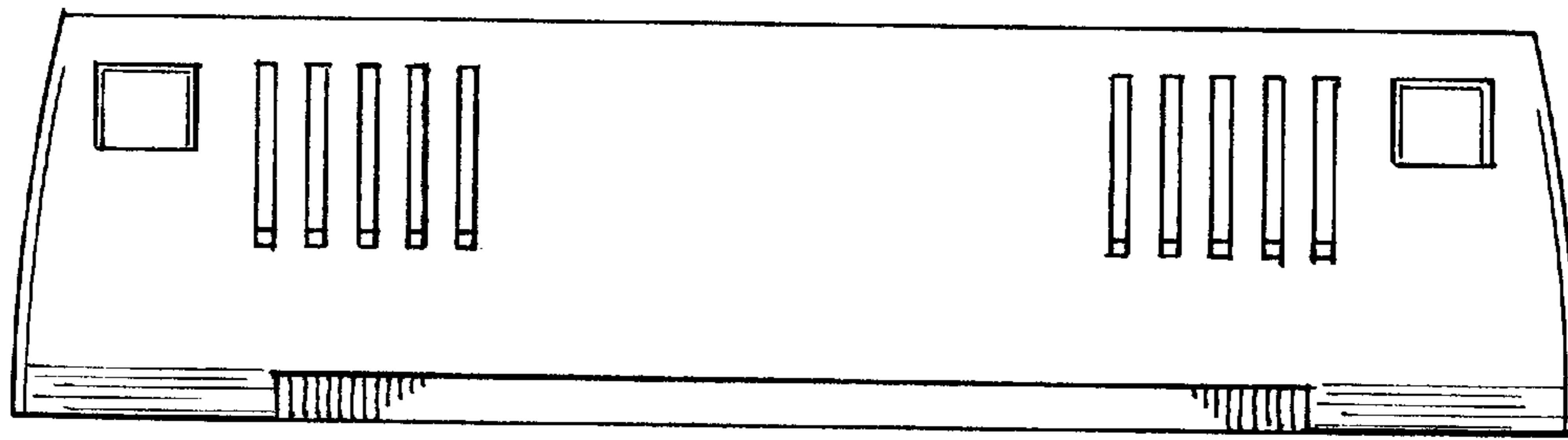


FIG. 2

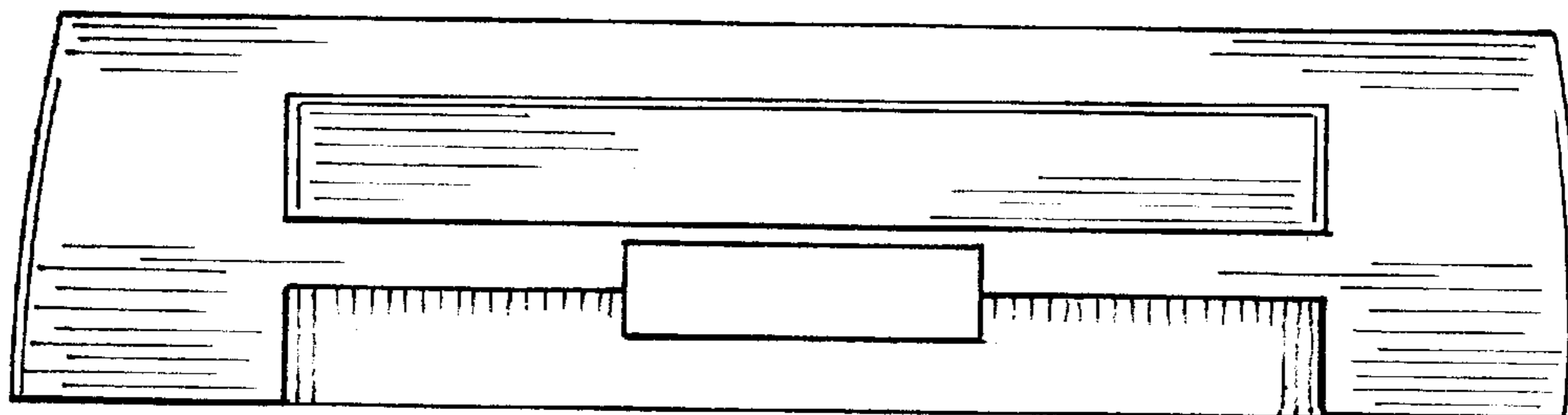


FIG. 3

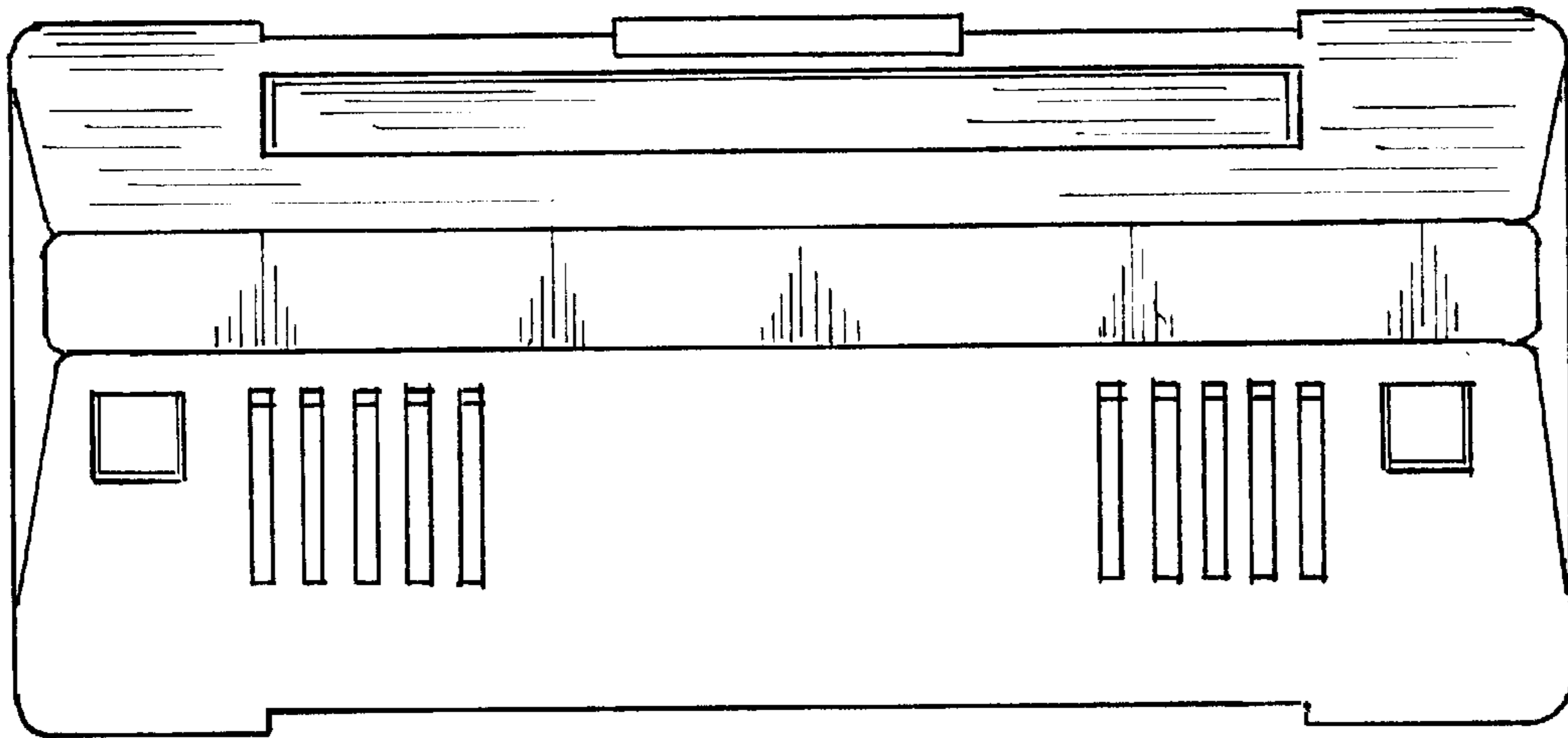


FIG. 4

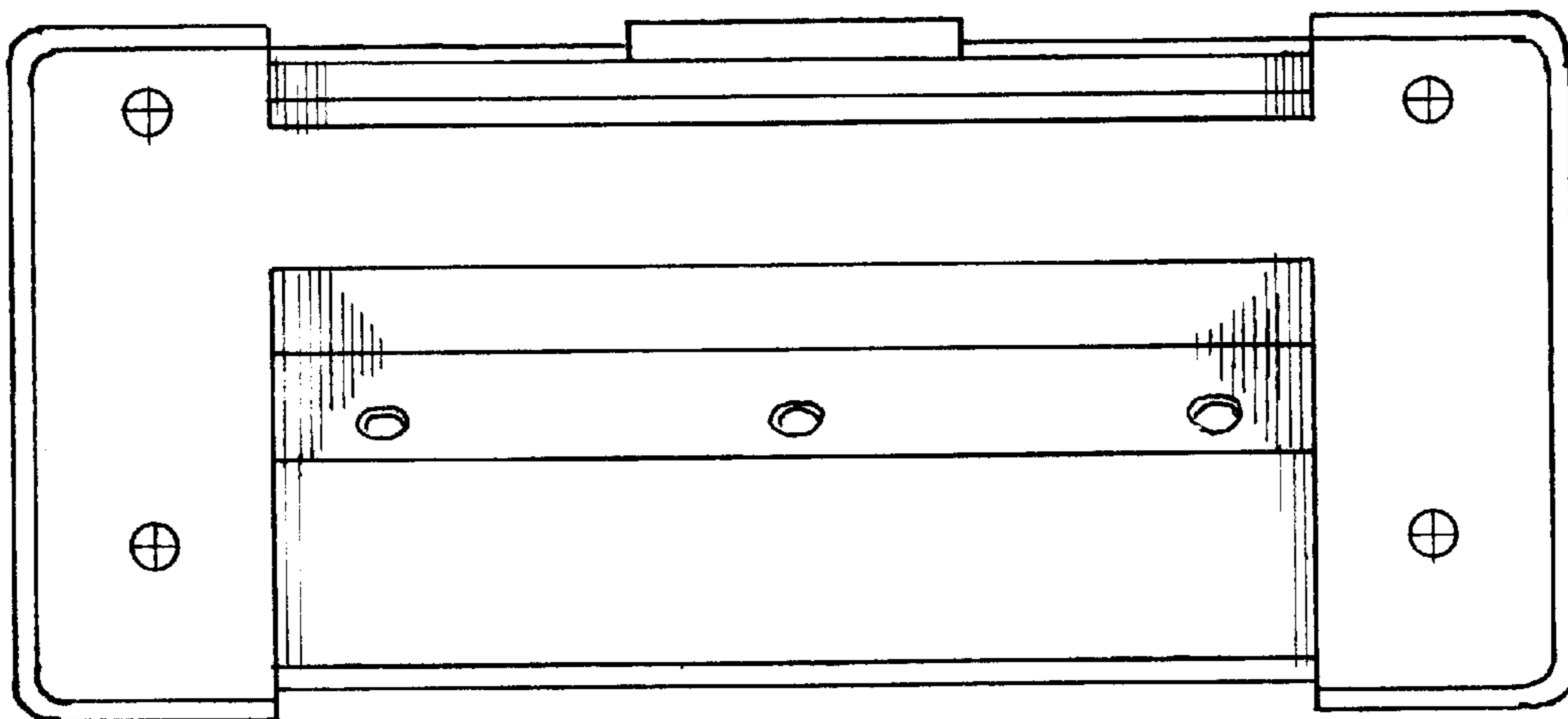


FIG. 5

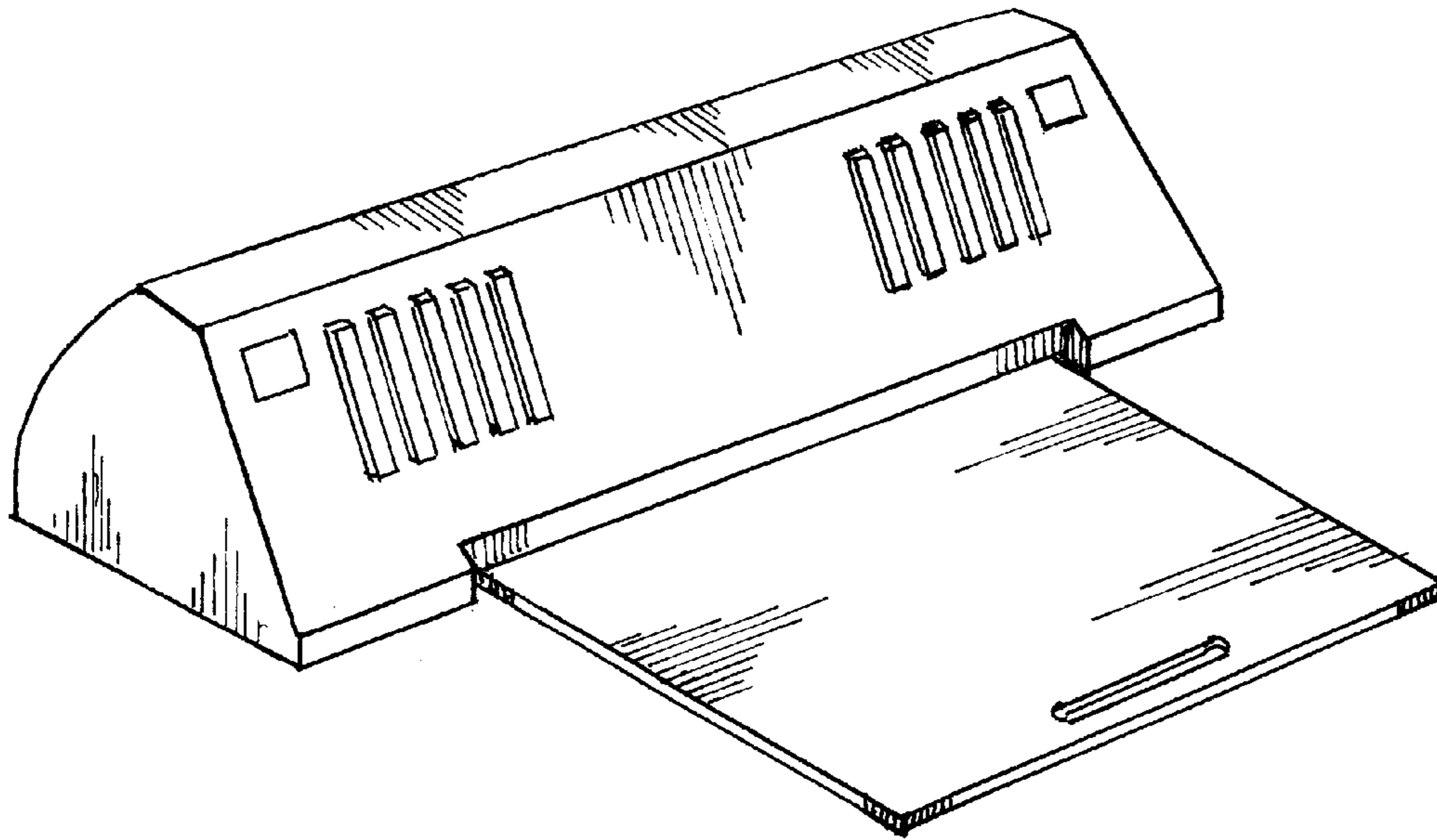


FIG. 6

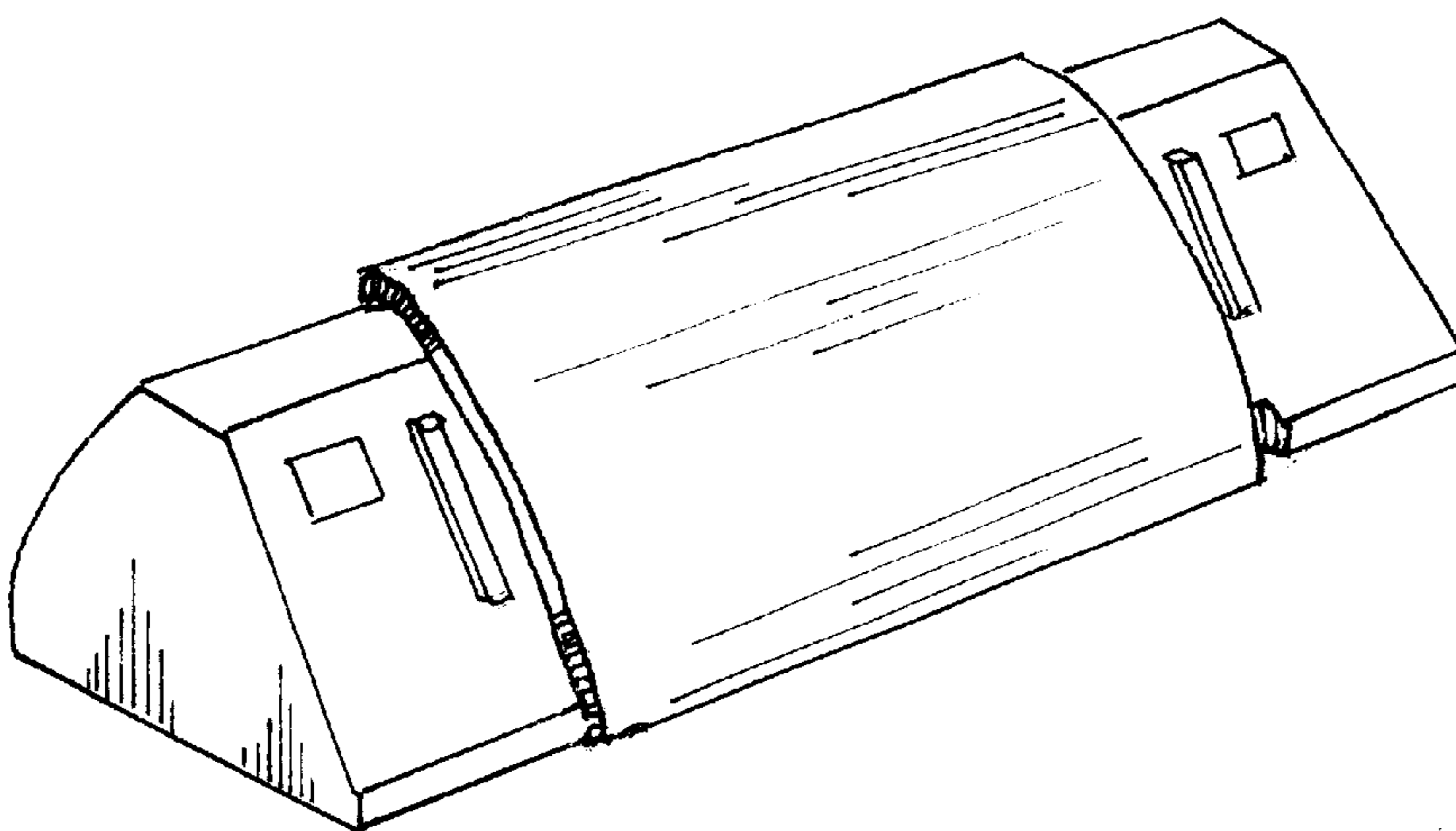


FIG. 7

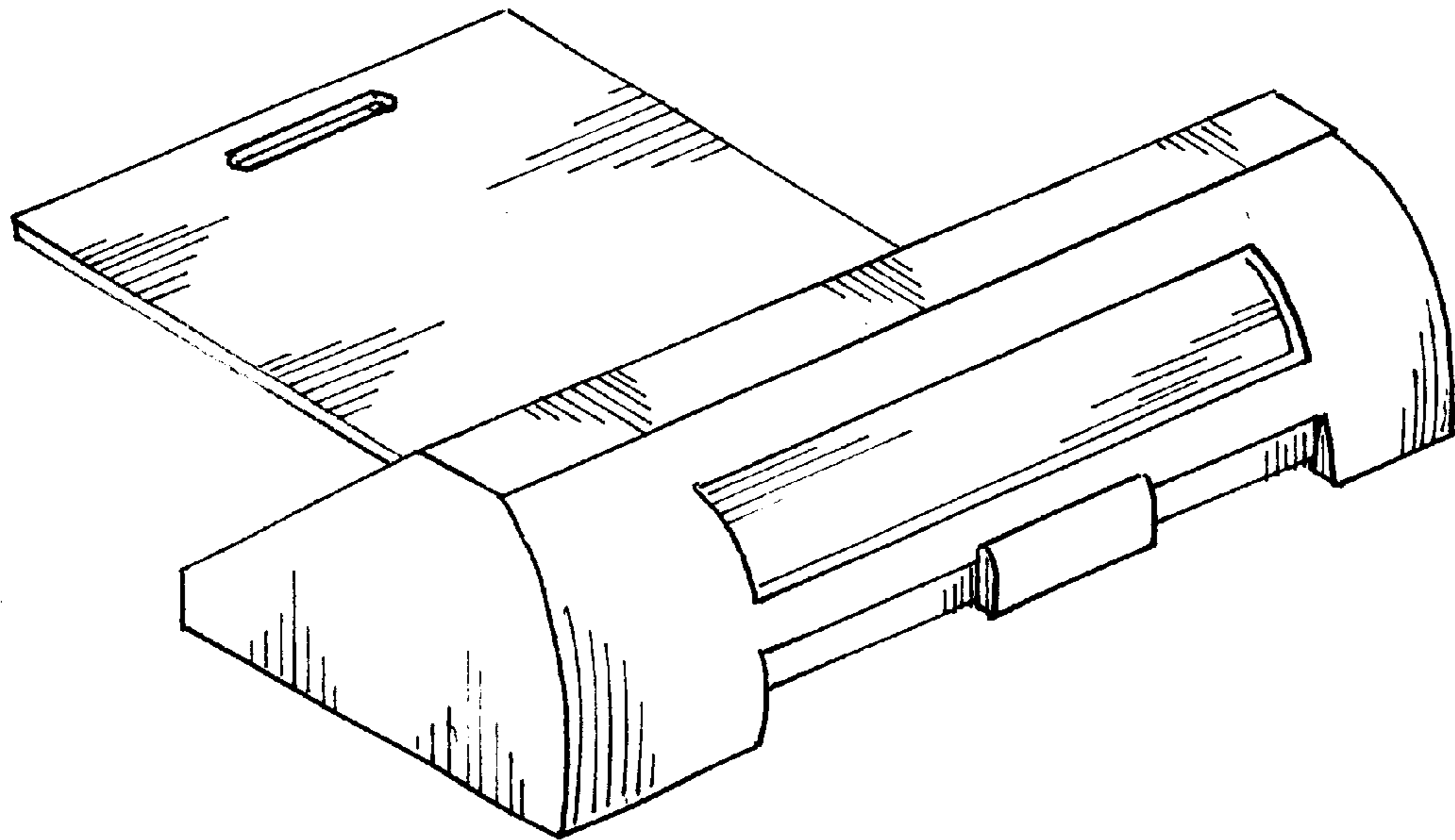


FIG. 8

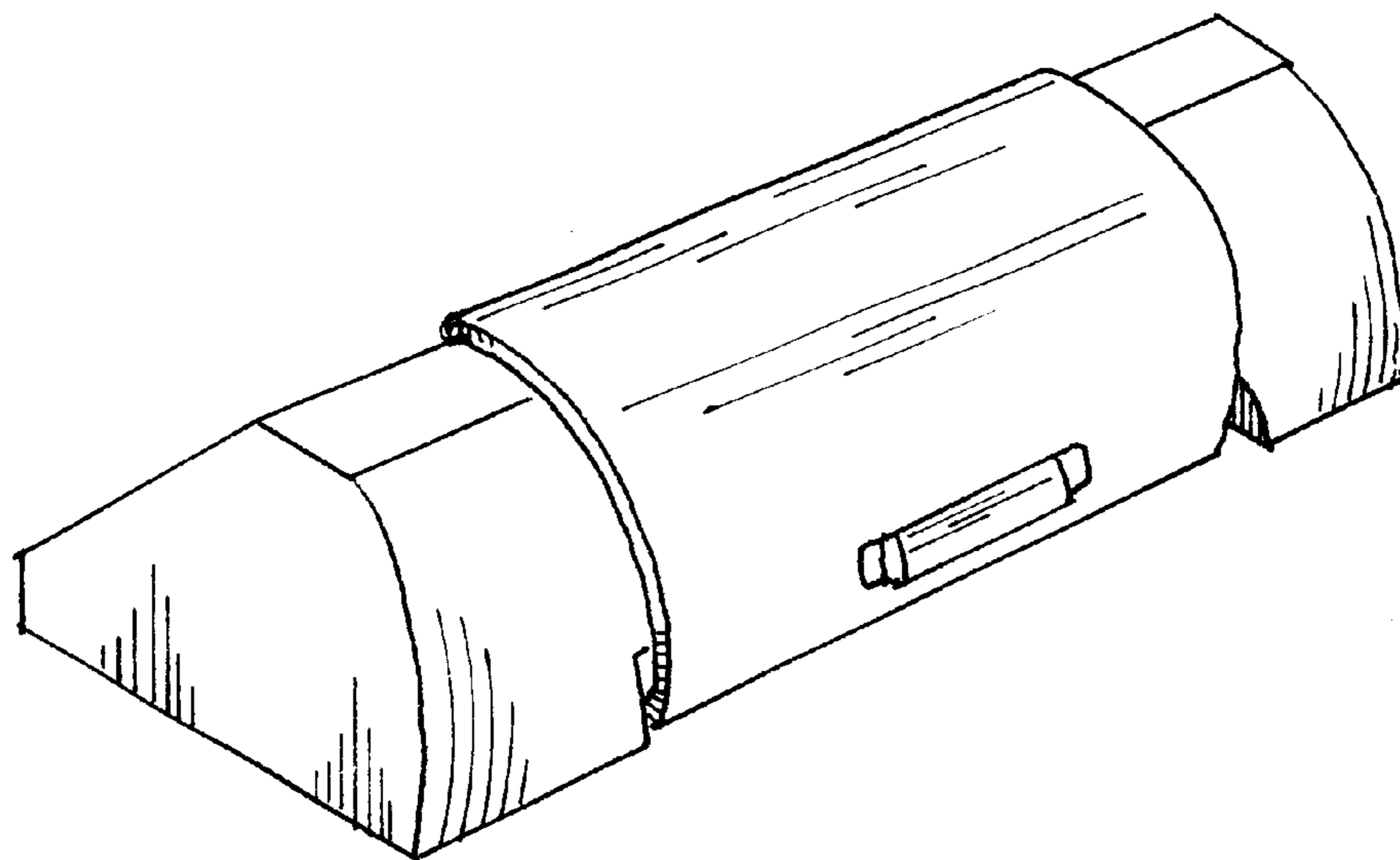


FIG. 9

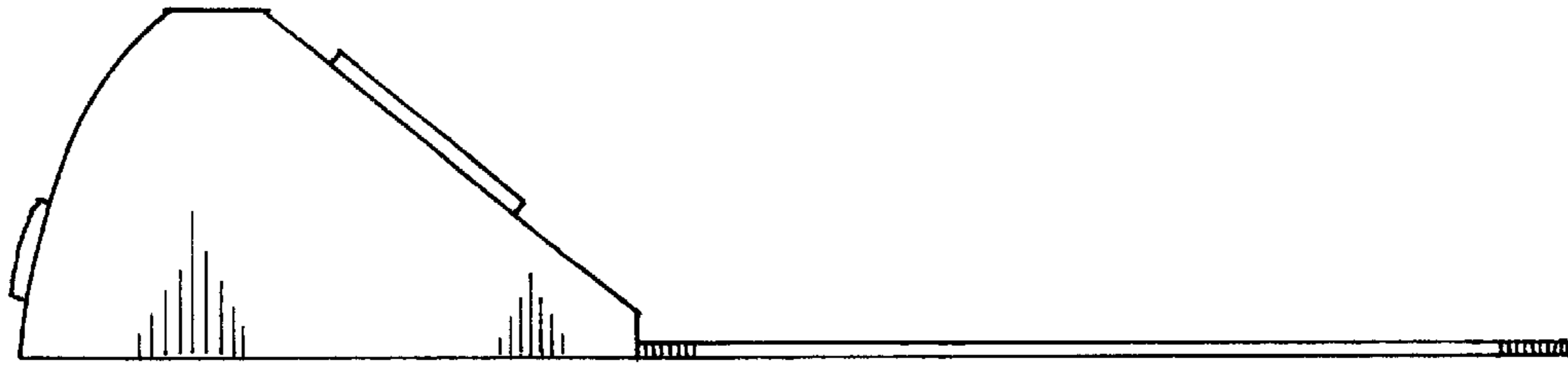


FIG. 10

