



US00D512949S

(12) **United States Design Patent**
Ettensberger

(10) **Patent No.:** **US D512,949 S**

(45) **Date of Patent:** **** Dec. 20, 2005**

(54) **FRONT FACE OF A VEHICLE WHEEL**

(76) **Inventor:** **Claus Ettensberger**, 16200 S. Figueroa St., Gardena, CA (US) 90248

(**) **Term:** **14 Years**

(21) **Appl. No.:** **29/220,324**

(22) **Filed:** **Dec. 30, 2004**

(51) **LOC (6) Cl.** **12-16**

(52) **U.S. Cl.** **D12/211**

(58) **Field of Search** D12/204-213;
301/37.101, 64.101, 65

(56) **References Cited**

U.S. PATENT DOCUMENTS

- D446,493 S * 8/2001 Sulahian et al. D12/211
- D470,449 S * 2/2003 Bernoni D12/211
- D488,422 S * 4/2004 Hartanto D12/209
- D496,317 S * 9/2004 Kataoka D12/209

- D497,133 S * 10/2004 Cheng D12/209
- D498,195 S * 11/2004 Guevara D12/211
- D498,725 S * 11/2004 Suci D12/211
- D499,682 S * 12/2004 Kushartanto D12/209

* cited by examiner

Primary Examiner—Stacia Cadmus

(74) *Attorney, Agent, or Firm*—Berenato, White & Stavish

(57) **CLAIM**

The ornamental design for a front face of a vehicle wheel, as shown and described.

DESCRIPTION

FIG. 1 is a perspective view of a front face of a vehicle wheel, showing my new design; and, FIG. 2 is a front view thereof.

The broken line showing of environment is for illustrative purposes only and forms no part of the claimed design.

1 Claim, 2 Drawing Sheets

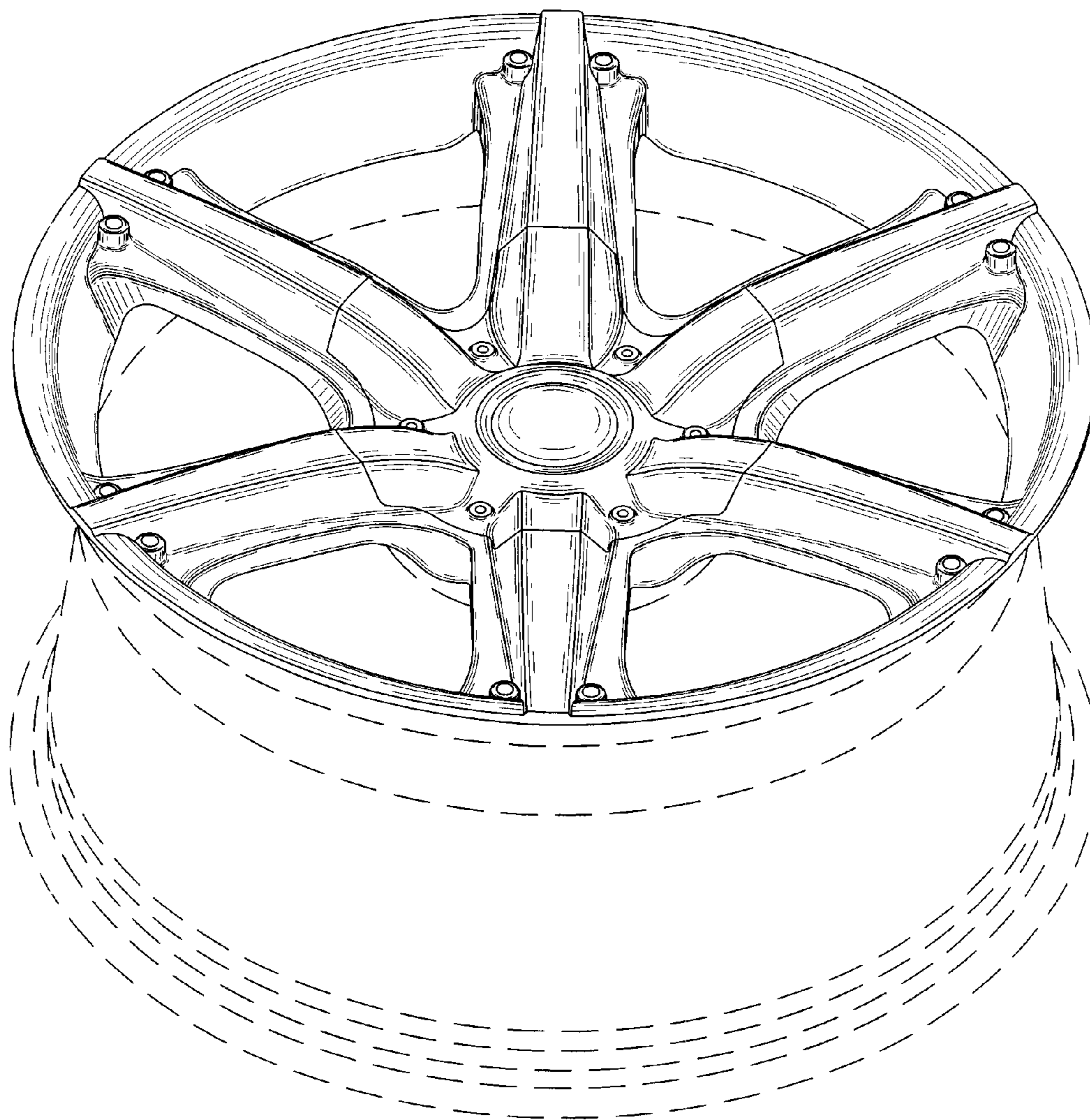


Fig. 1

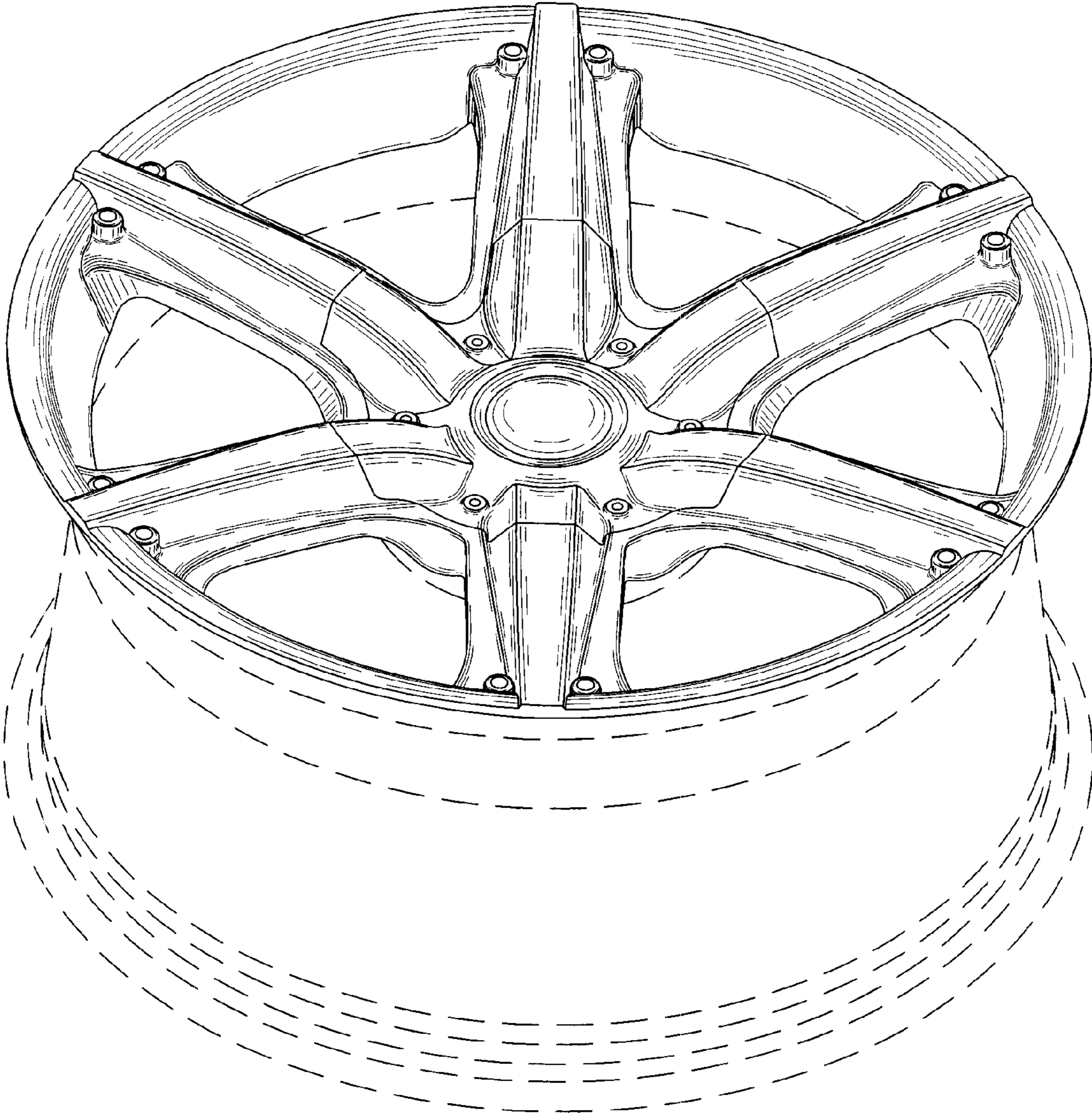


Fig. 2

