



US00D512945S

(12) **United States Design Patent**  
**Hewitt et al.**

(10) **Patent No.:** **US D512,945 S**  
(45) **Date of Patent:** **\*\* Dec. 20, 2005**

(54) **HUB FOR A BRAKE BOOSTER**  
(75) Inventors: **Wayne Hewitt, La Port, IN (US);**  
**Joseph Whicker, Elkhart, IN (US)**  
(73) Assignee: **Robert Bosch Corporation,**  
**Broadview, IL (US)**  
(\*\*) Term: **14 Years**

6,334,384 B1 \* 1/2002 Hoerner ..... 91/369.2  
D462,927 S \* 9/2002 Horner ..... D12/180  
6,553,888 B2 \* 4/2003 Bacardit ..... 91/369.3  
6,691,602 B1 \* 2/2004 Harth et al. .... 91/369.2  
6,739,234 B2 \* 5/2004 Zinndorf et al. .... 91/369.2

(21) Appl. No.: **29/195,595**  
(22) Filed: **Dec. 15, 2003**

**OTHER PUBLICATIONS**

Merhow Industries –Add, 2002.  
Southern Horseman Press release, Apr. 2003.

(51) **LOC (6) Cl.** ..... **12-16**  
(52) **U.S. Cl.** ..... **D12/180**  
(58) **Field of Search** ..... D12/180; 188/24.11–24.13,  
188/24.22, 209–211, 218 XL, 73.2; 192/107 R,  
70.16

\* cited by examiner

*Primary Examiner*—Melody N. Brown

(57) **CLAIM**

The ornamental design for a hub for a brake booster, as shown and described.

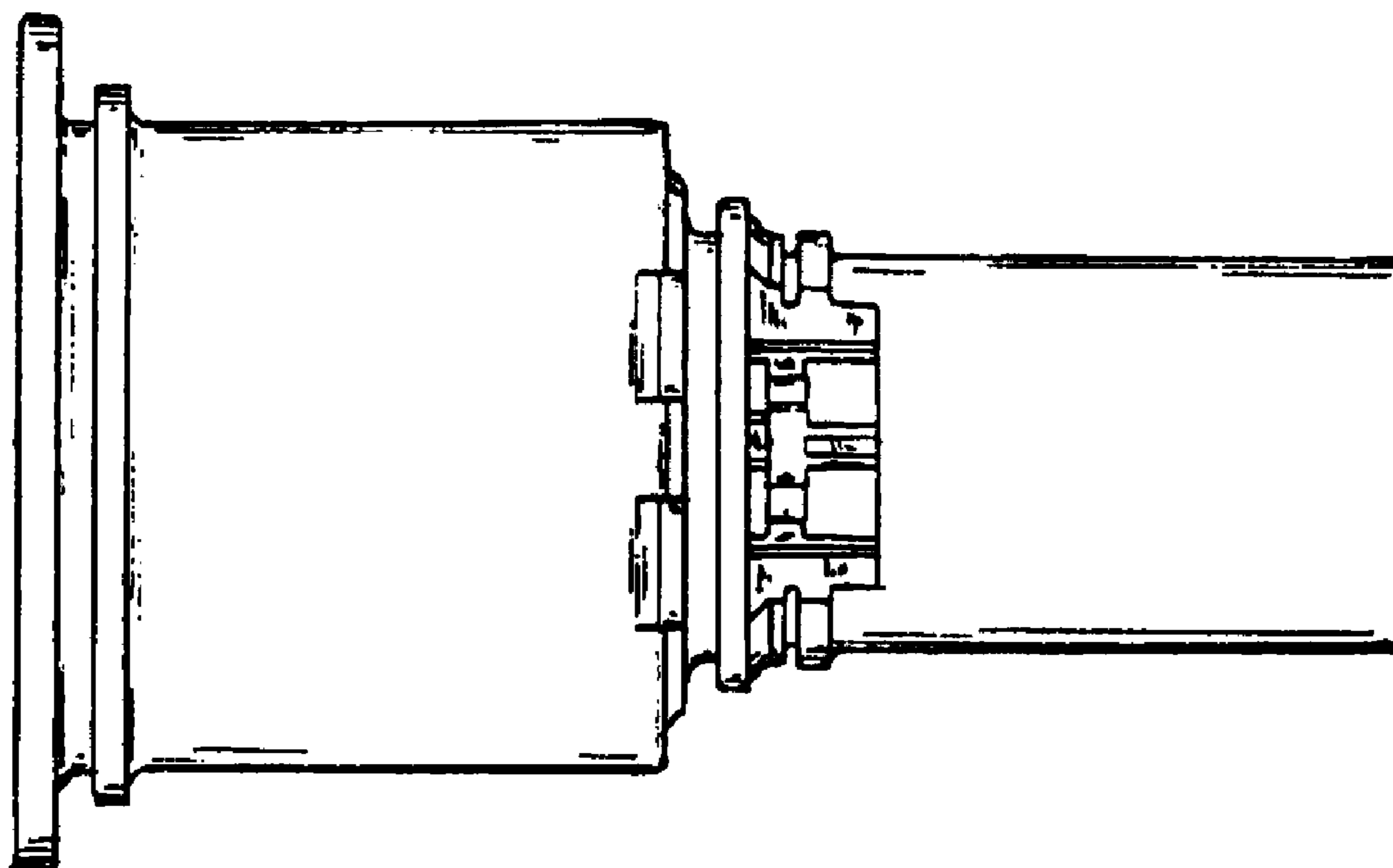
(56) **References Cited**  
**U.S. PATENT DOCUMENTS**

**DESCRIPTION**

FIG. 1 is a perspective view of a hub for a brake booster showing our new design;  
FIG. 2 is a top view of FIG. 1;  
FIG. 3 is a side elevation view of FIG. 1;  
FIG. 4 is a front elevation view of FIG. 1; and,  
FIG. 5 is a rear elevation view of FIG. 1.

3,958,497 A 5/1976 Gardner et al.  
D346,576 S \* 5/1994 Steer et al. .... D12/180  
D347,415 S \* 5/1994 Rossigno et al. .... D12/180  
D348,036 S \* 6/1994 Rossigno et al. .... D12/180

**1 Claim, 3 Drawing Sheets**



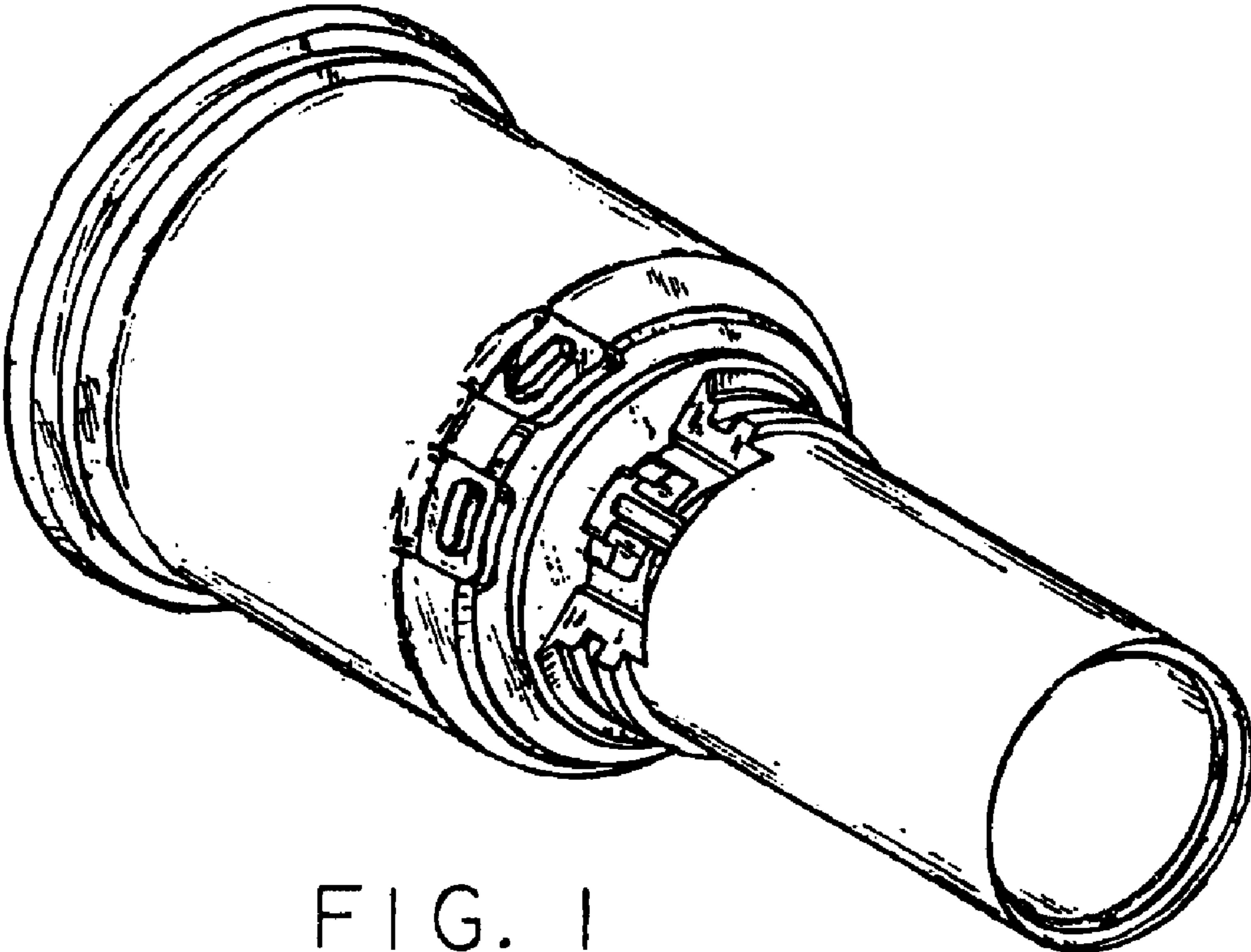


FIG. 1

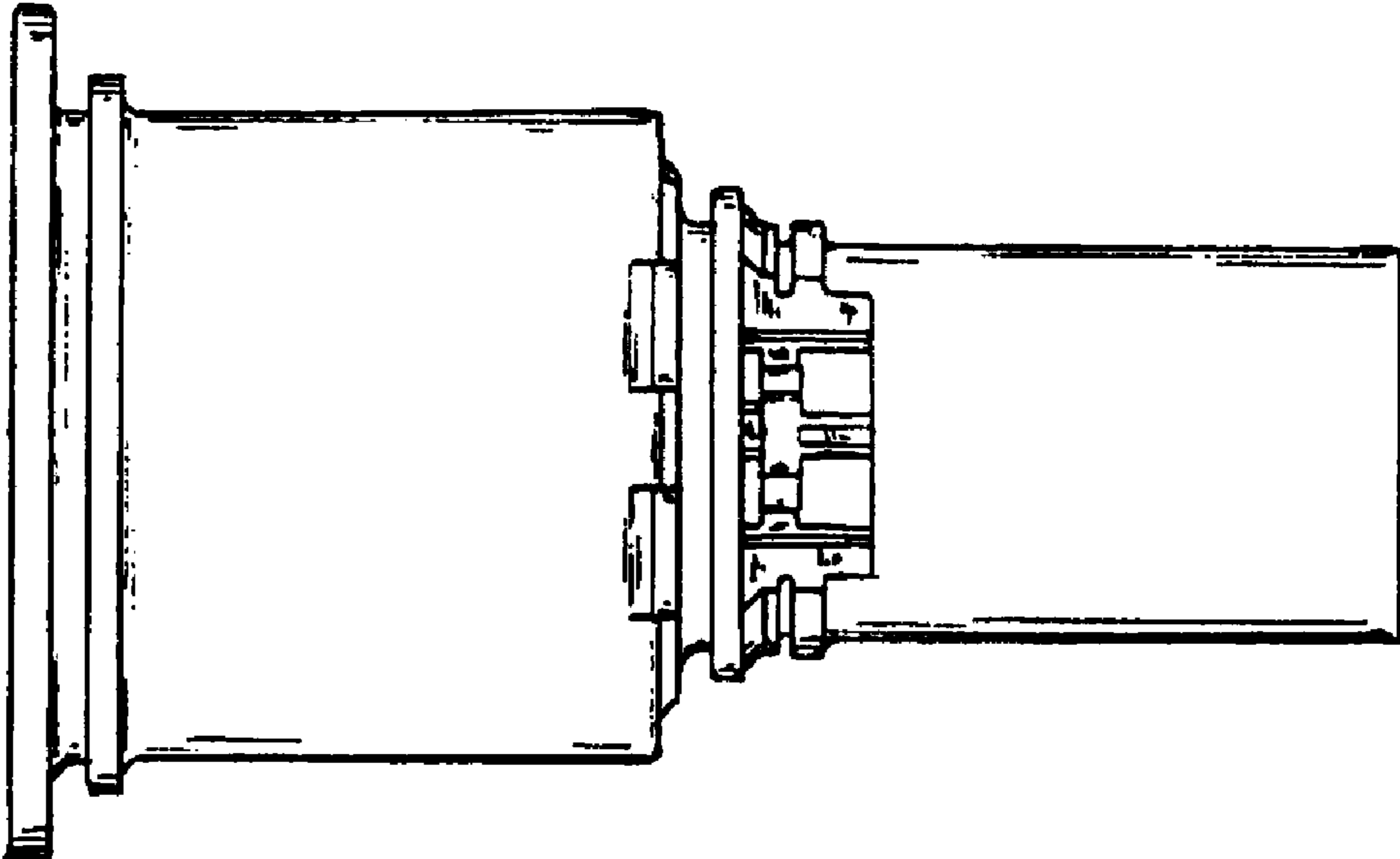


FIG. 2

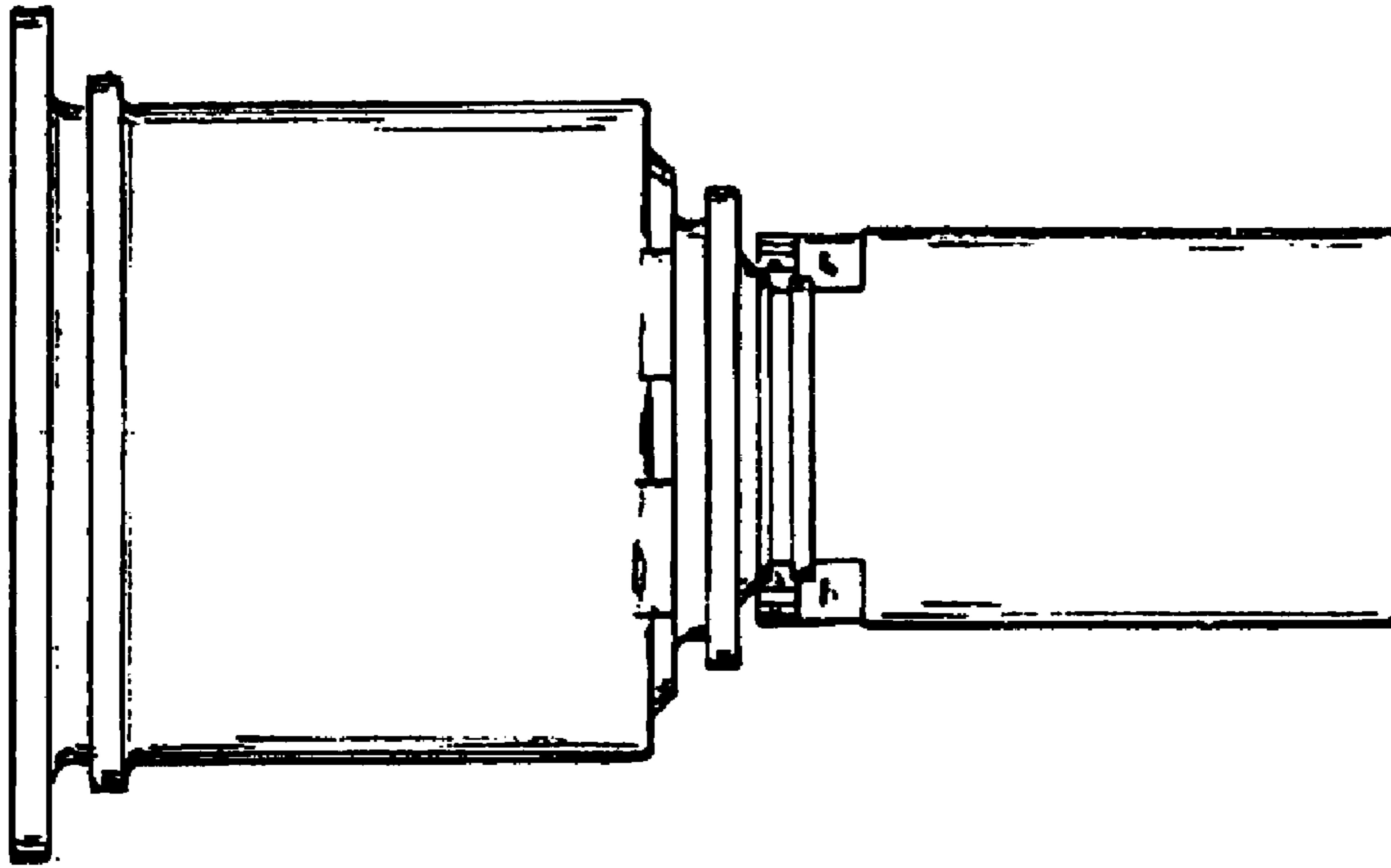


FIG. 3

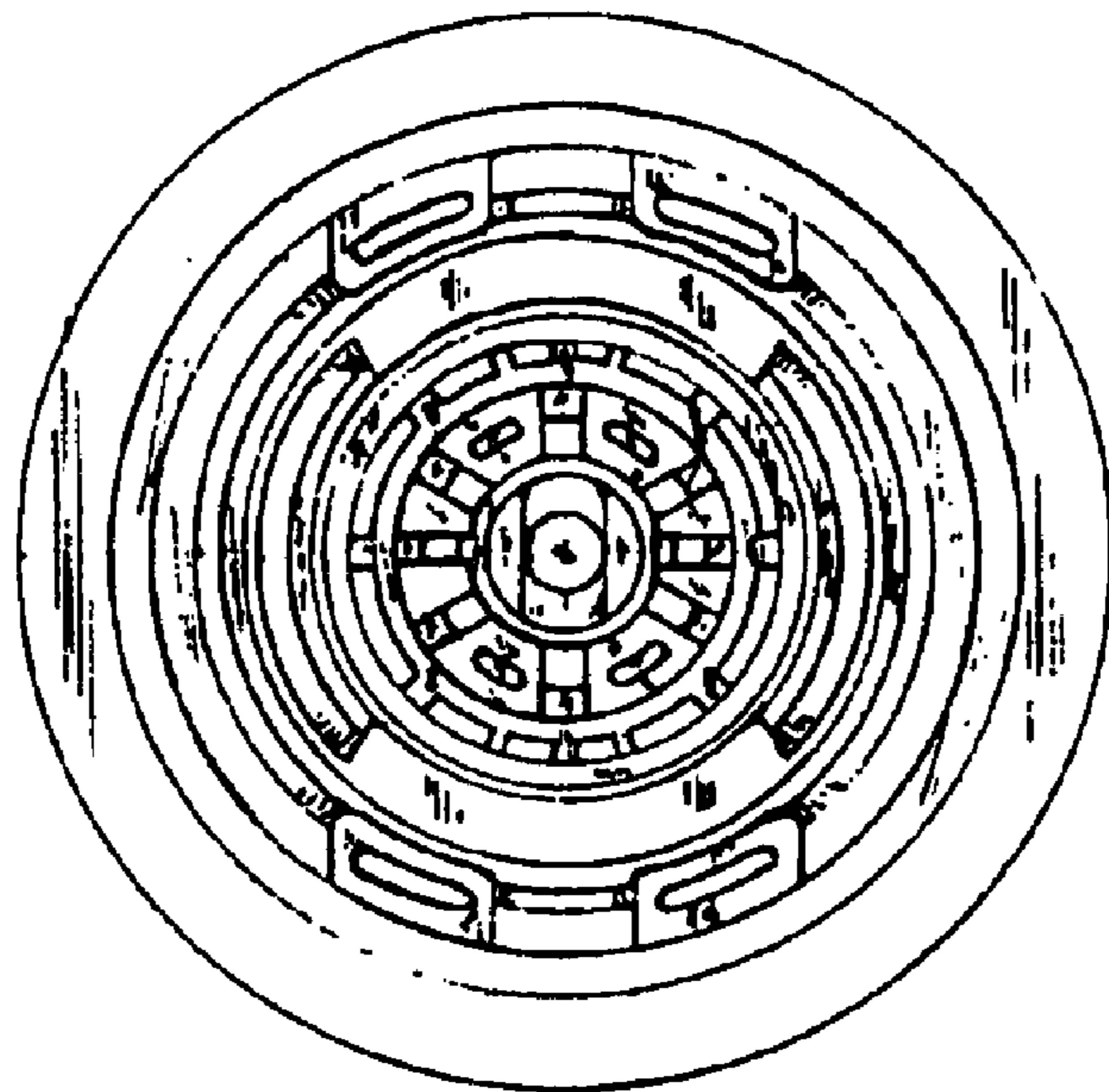


FIG. 4

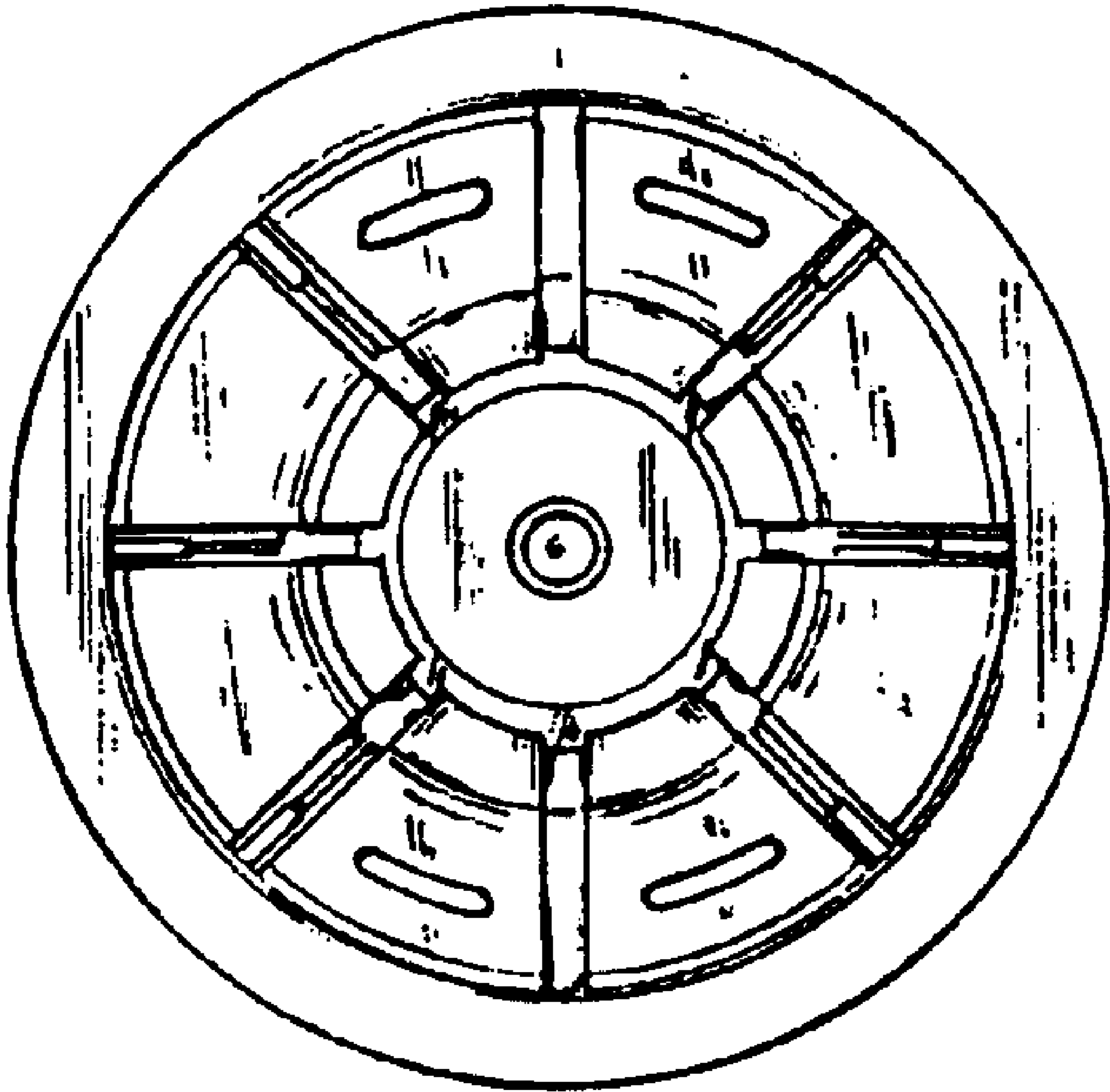


FIG. 5