

US00D512942S

(12) **United States Design Patent**
Wittkowski

(10) **Patent No.:** **US D512,942 S**

(45) **Date of Patent:** **** Dec. 20, 2005**

(54) **THREE-POINT HITCH TRAILER**

D461,747 S * 8/2002 Martin D12/101
D467,526 S * 12/2002 Binette D12/101

(75) Inventor: **Donald Richard Wittkowski**, Sullivan, IL (US)

* cited by examiner

(73) Assignee: **AGri-Fab Incorporated**, Sullivan, IL (US)

Primary Examiner—Melody N. Brown
(74) *Attorney, Agent, or Firm*—Vedder, Price, Kaufman & Kammholz

(**) Term: **14 Years**

(57) **CLAIM**

(21) Appl. No.: **29/205,524**

The ornamental design for a three-point hitch trailer, as shown and described.

(22) Filed: **May 17, 2004**

DESCRIPTION

(51) **LOC (6) Cl.** **12-10**

(52) **U.S. Cl.** **D12/101**

(58) **Field of Search** D12/101, 102;
280/475, 656, 763.1, 482, 462; 296/181,
190

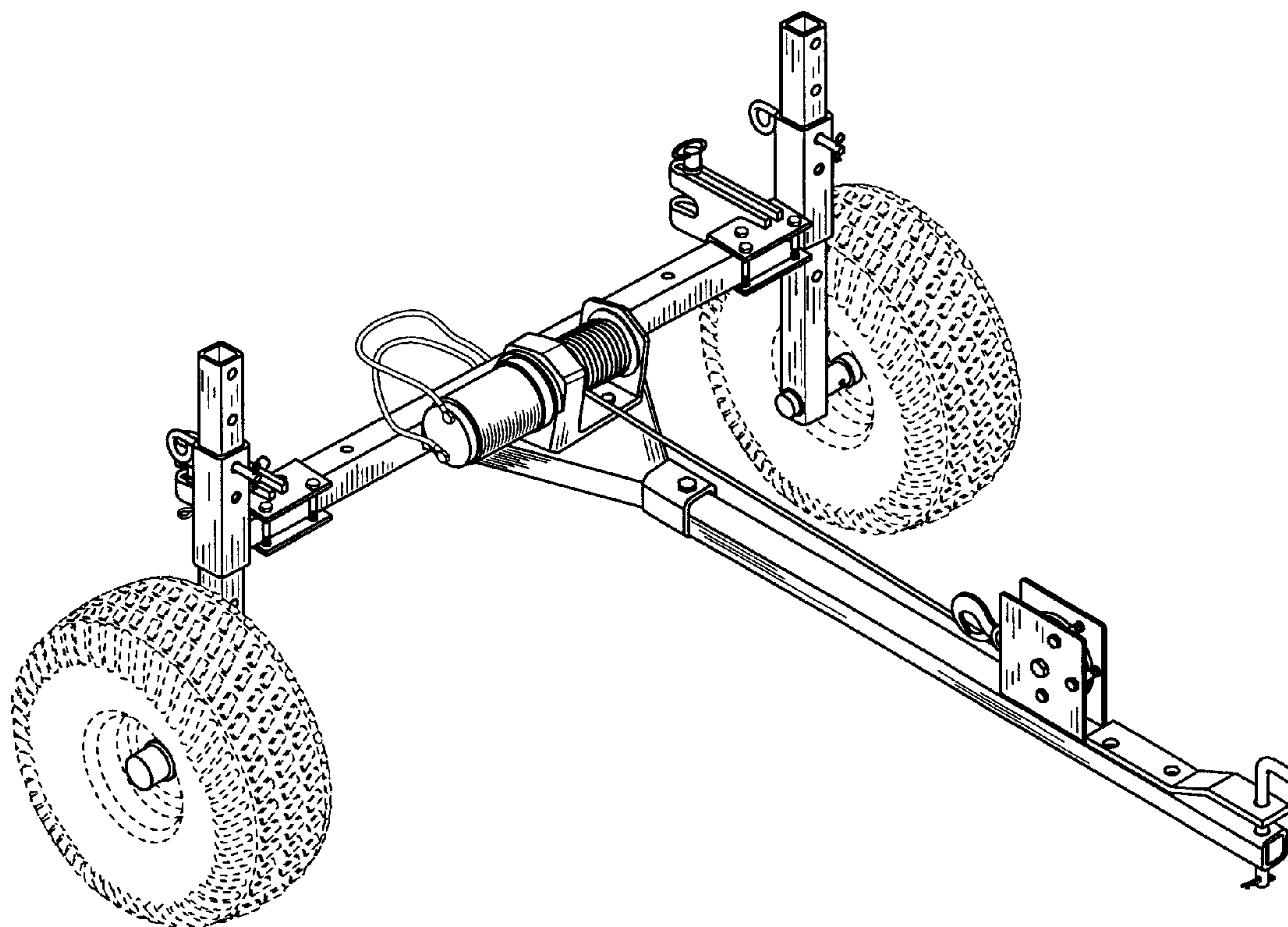
FIG. 1 is a perspective view of the three-point hitch trailer showing my new design;
FIG. 2 is a front view of my design;
FIG. 3 is a back view of my design;
FIG. 4 is a view of one side of my design;
FIG. 5 is a view of the other side of my design;
FIG. 6 is a top view of my design; and,
FIG. 7 is a bottom view of my design.
The wheels shown in broken lines are for illustrative purposes only and form no part of the claimed design.

(56) **References Cited**

U.S. PATENT DOCUMENTS

D375,921 S * 11/1996 Kunkle D12/101
D377,254 S * 1/1997 Cavalliere D12/101
D380,708 S * 7/1997 Witt D12/101
D392,598 S * 3/1998 Neault et al. D12/101

1 Claim, 4 Drawing Sheets



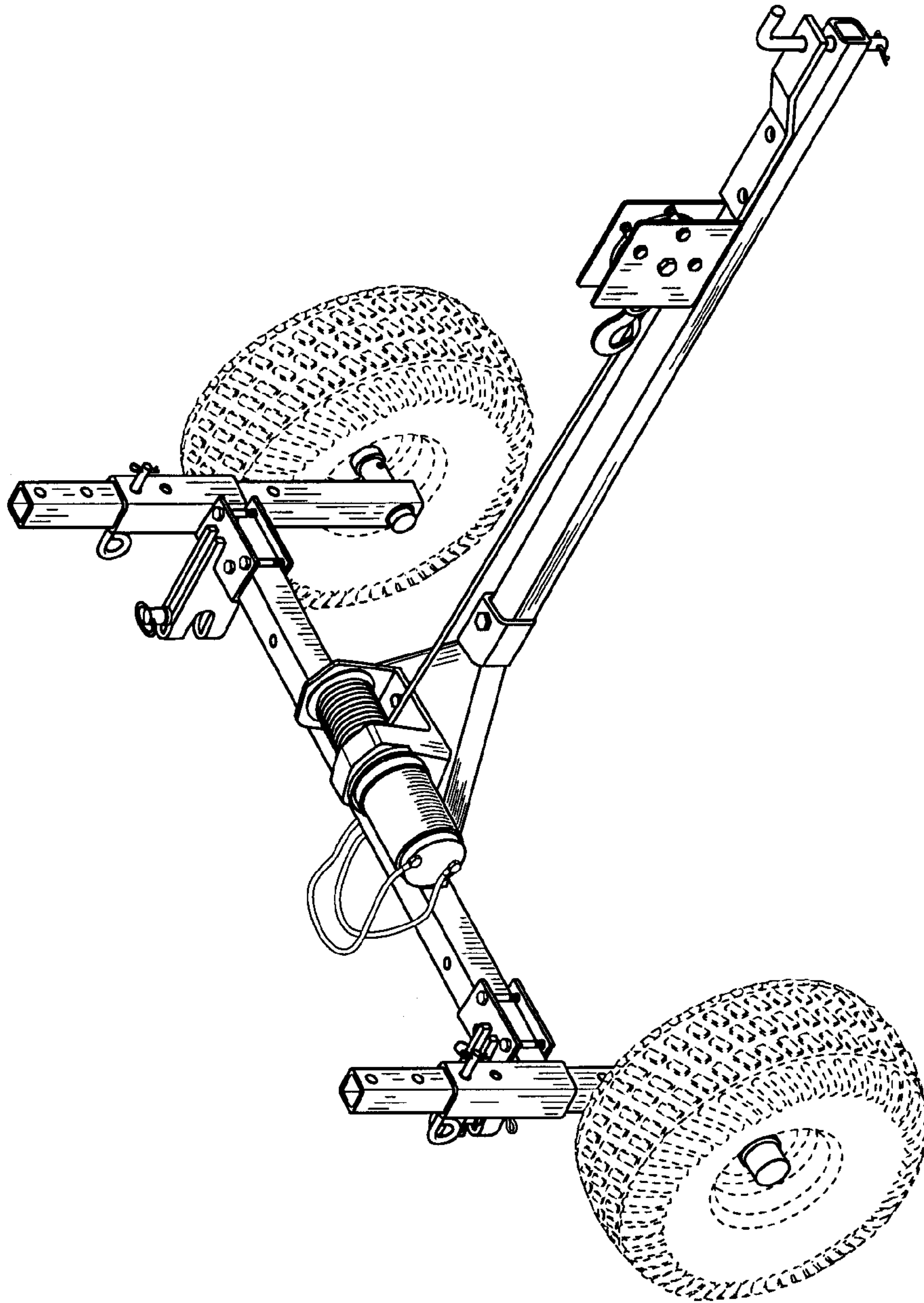


FIG. 1

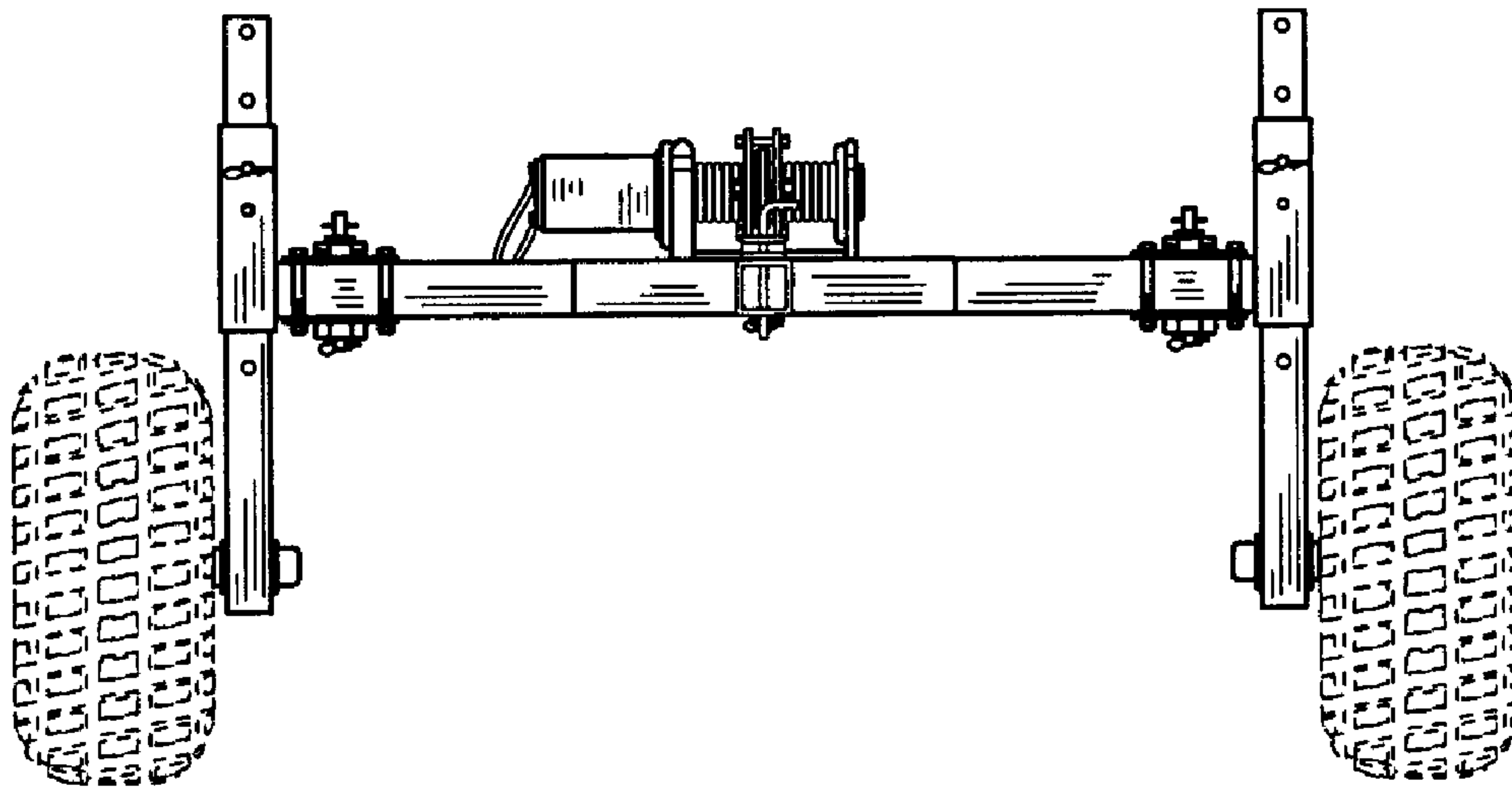


FIG. 2

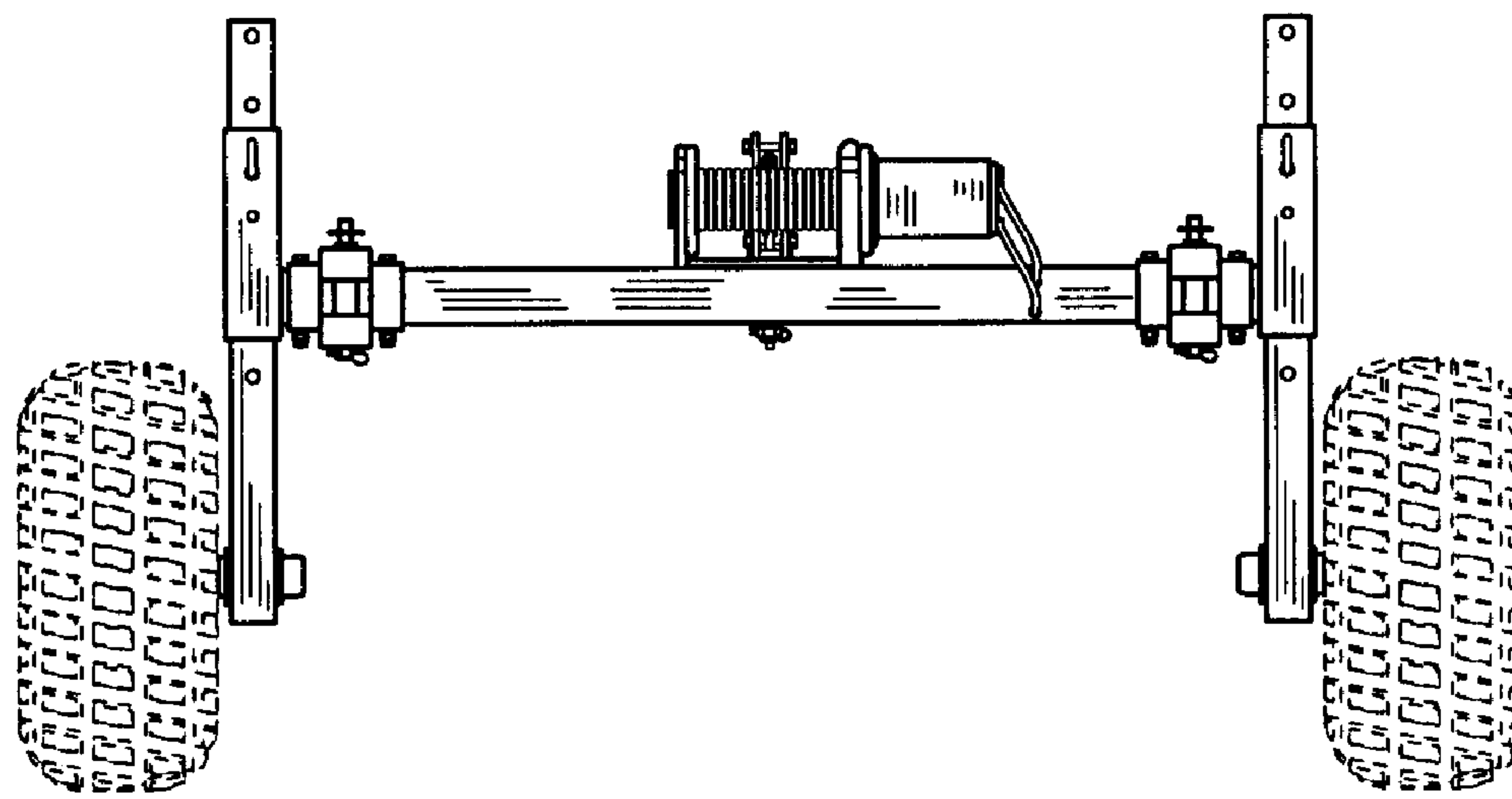


FIG. 3

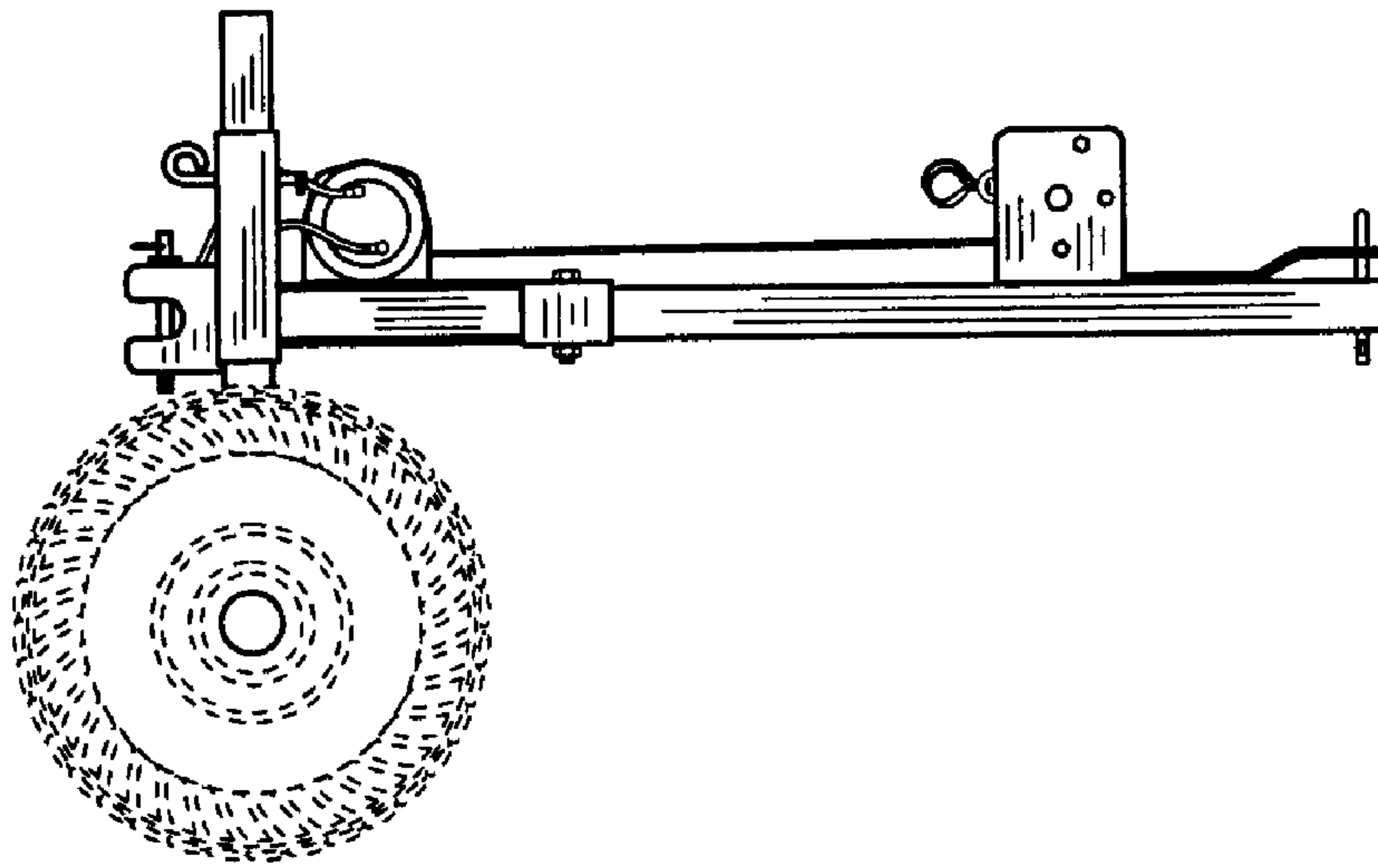


FIG. 4

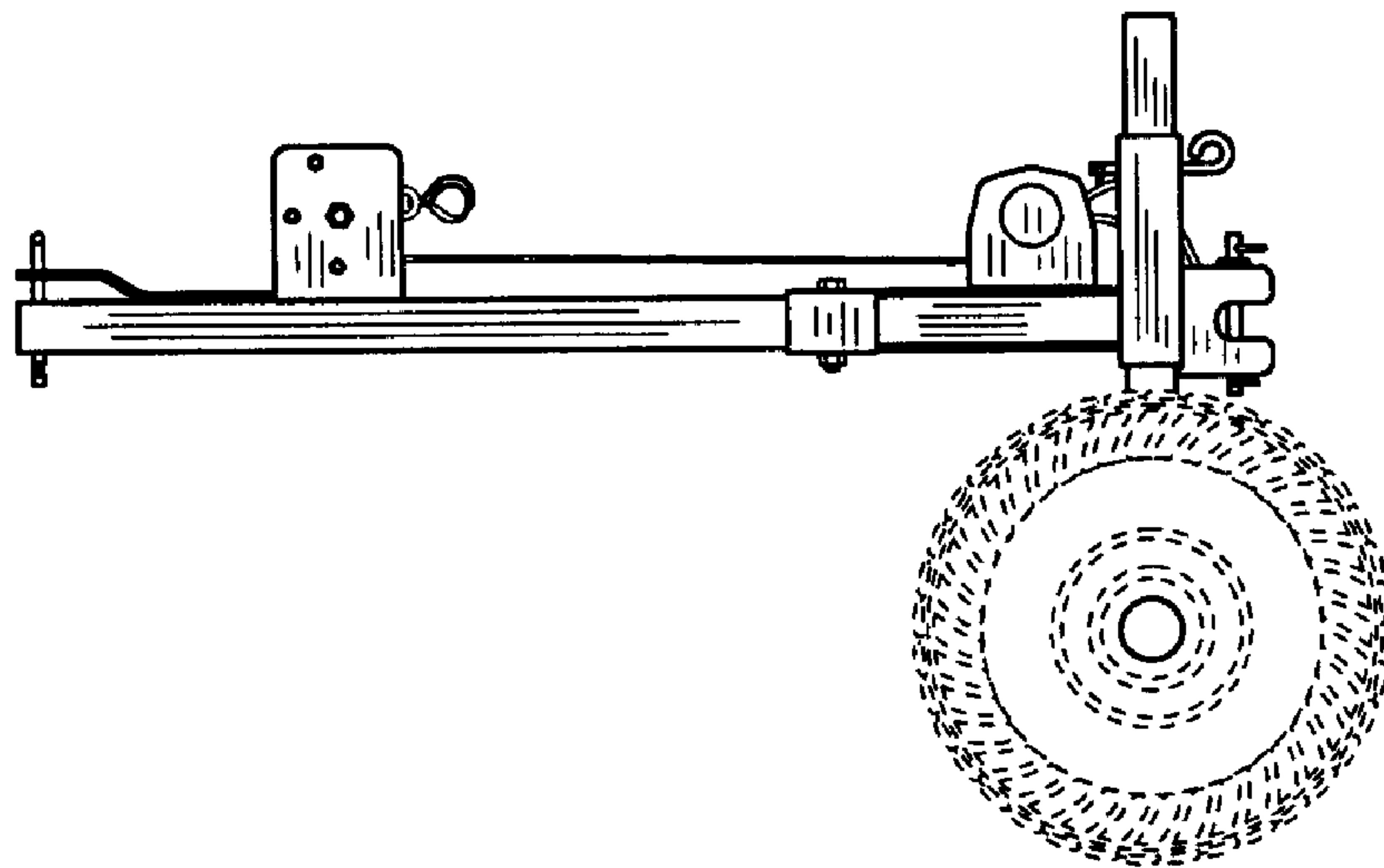


FIG. 5

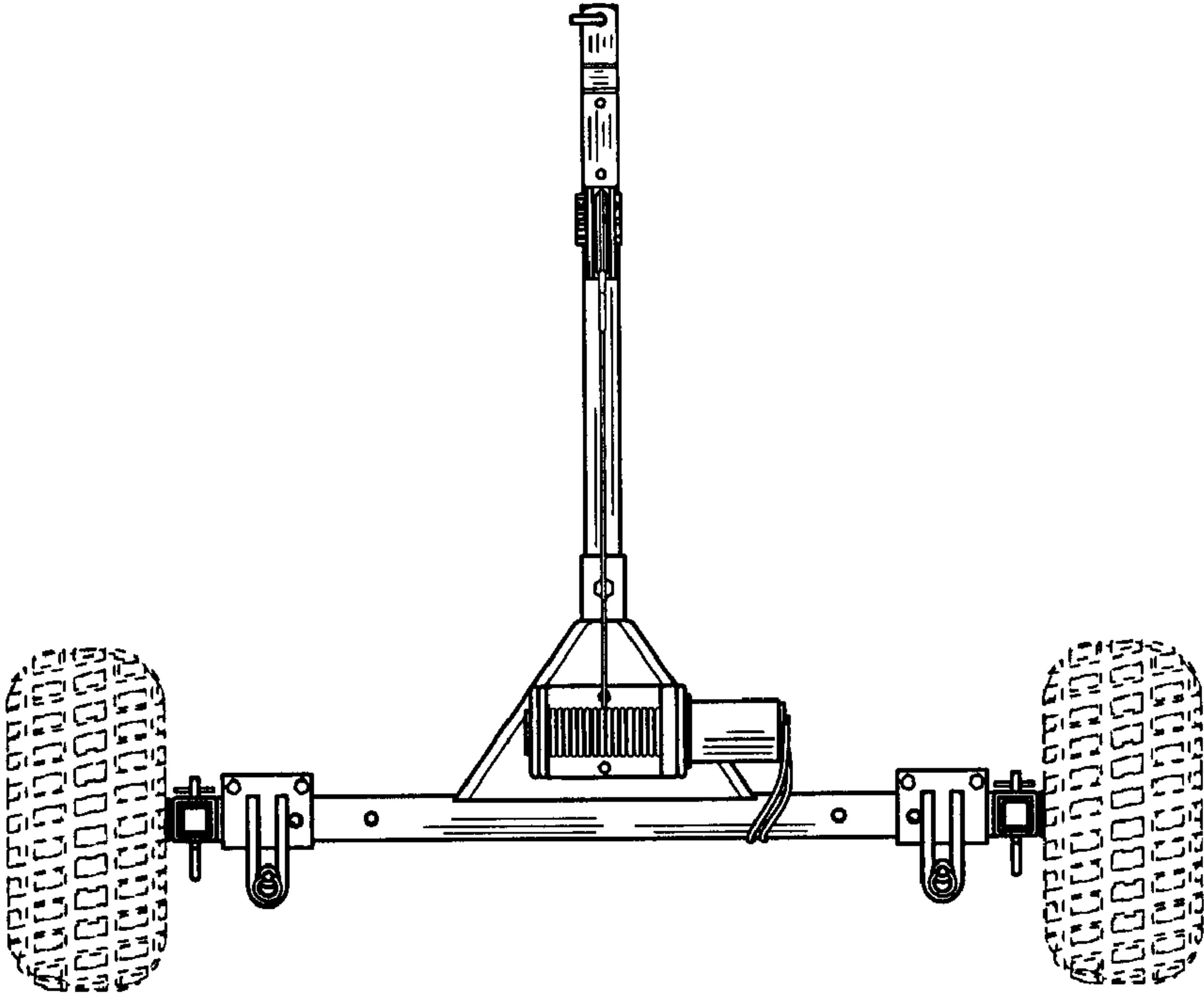


FIG. 6

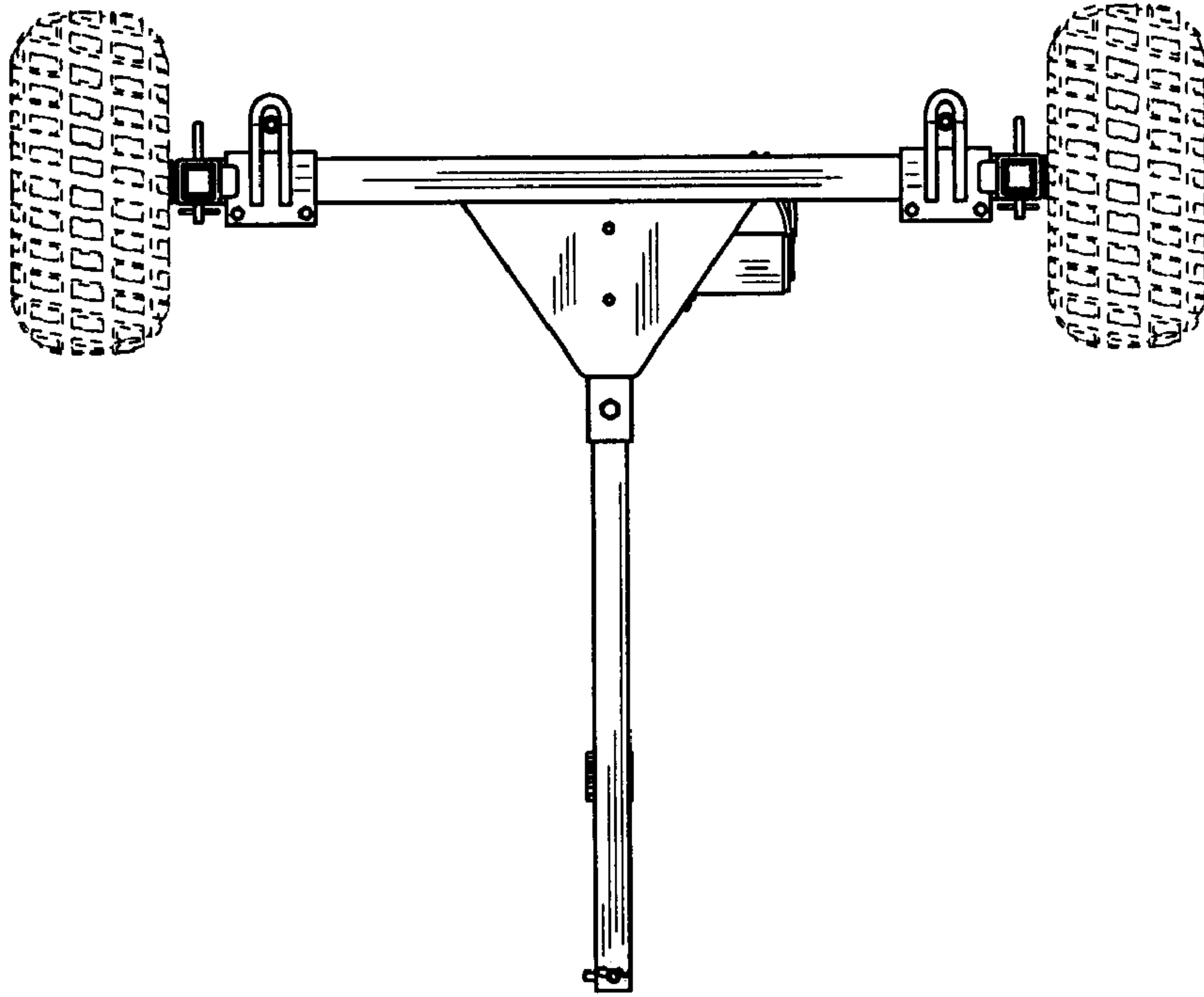


FIG. 7