



US00D512939S

(12) **United States Design Patent**
Anderson

(10) **Patent No.:** **US D512,939 S**

(45) **Date of Patent:** **** Dec. 20, 2005**

(54) **POKER TROPHY**

(76) **Inventor:** **Jeff Anderson**, 24506 180th Ave. SE.,
Covington, WA (US) 98042

(**) **Term:** **14 Years**

(21) **Appl. No.:** **29/223,768**

(22) **Filed:** **Feb. 18, 2005**

(51) **LOC (6) Cl.** **11-02**

(52) **U.S. Cl.** **D11/131**

(58) **Field of Search** D6/303, 309, 310;
D10/1, 2, 6, 23; D11/121, 122, 131, 132,
133, 140, 157; D19/34.1, 34.2, 34.3, 95,
96, 97; D20/10, 12, 19, 20, 29; D21/300,
302, 308, 369, 374, 375, 378, 379, 385;
428/13, 14, 542.2, 542.4, 542.6, 913.3

(56) **References Cited**

U.S. PATENT DOCUMENTS

D16,768 S	*	7/1886	Hall	D11/135
D43,306 S	*	12/1912	Greenburg	D19/97
D70,477 S	*	6/1926	Hogan	D21/455
D103,027 S	*	2/1937	Slattery	D99/27
D180,097 S	*	4/1957	Mover	D10/125
D186,604 S	*	11/1959	Fosler	D11/164

D204,177 S	*	3/1966	Lewis	D6/449
D205,410 S	*	8/1966	Geriat	D26/94
D258,944 S	*	4/1981	Valdez	D11/157
D270,362 S	*	8/1983	de Gregorio et al.	D21/375
D340,837 S	*	11/1993	Fox	D9/669

* cited by examiner

Primary Examiner—Catherine Tuttle

(74) *Attorney, Agent, or Firm*—DWC Law Firm, P.S.

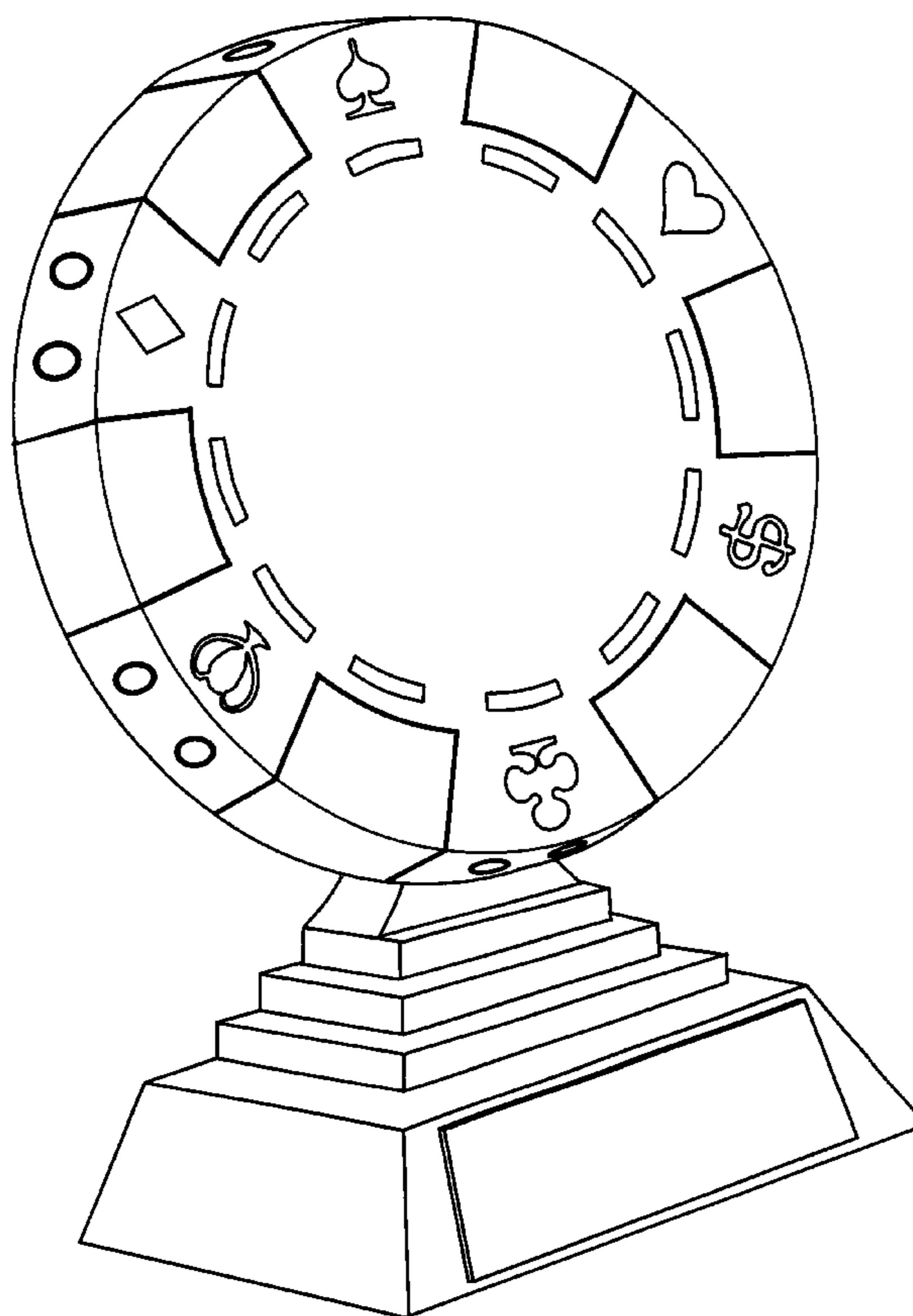
(57) **CLAIM**

The ornamental design for a poker trophy, as shown and described.

DESCRIPTION

FIG. 1 is a front elevational view of a poker trophy.
 FIG. 2 is a back elevational view of the poker trophy in FIG. 1.
 FIG. 3 is a left-side elevational view of the poker trophy in FIG. 1.
 FIG. 4 is a right-side elevational view of the poker trophy in FIG. 1.
 FIG. 5 is a top-end plan view of the poker trophy in FIG. 1.
 FIG. 6 is a bottom-end plan view of the poker trophy in FIG. 1; and,
 FIG. 7 is a perspective view of the poker trophy in FIG. 1.

1 Claim, 7 Drawing Sheets



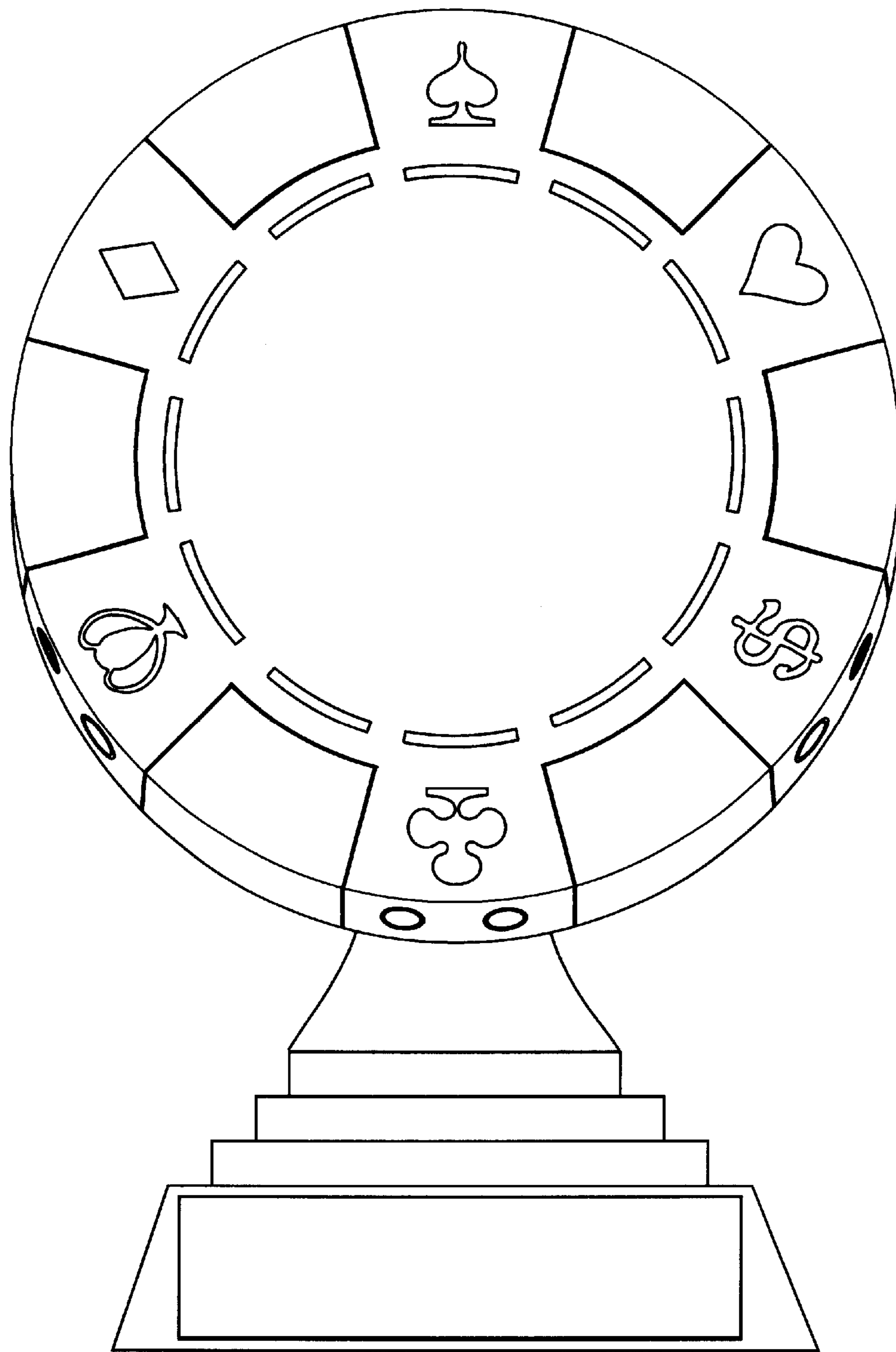


FIG. 1

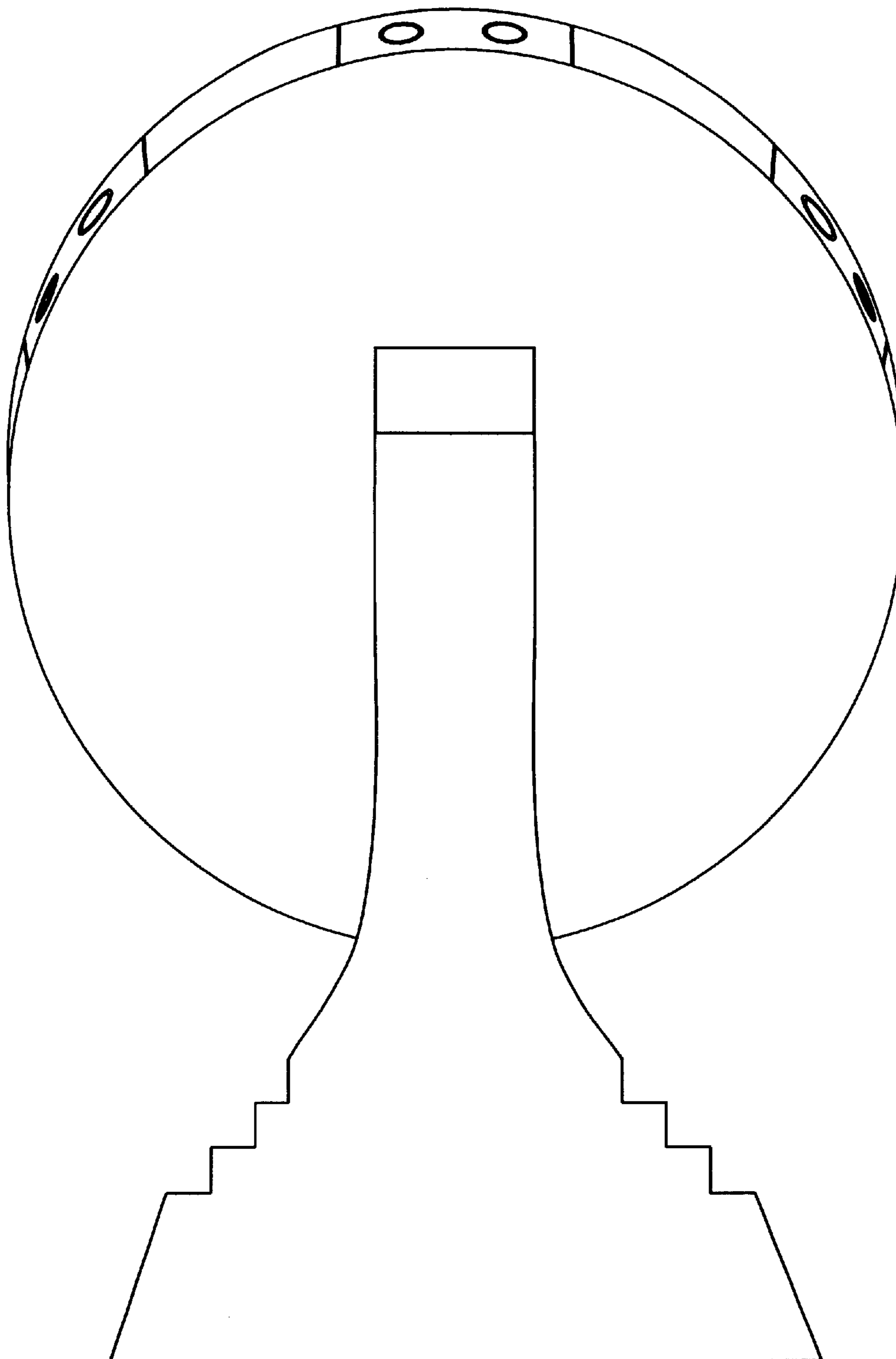


FIG. 2

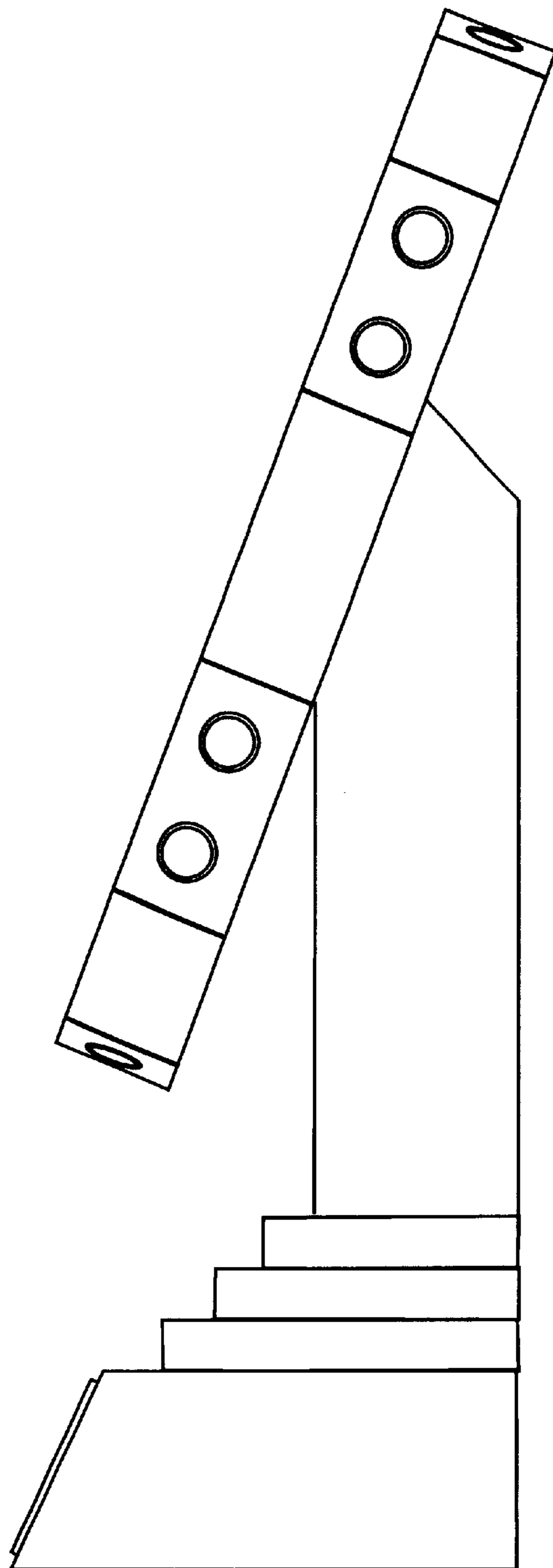


FIG. 3

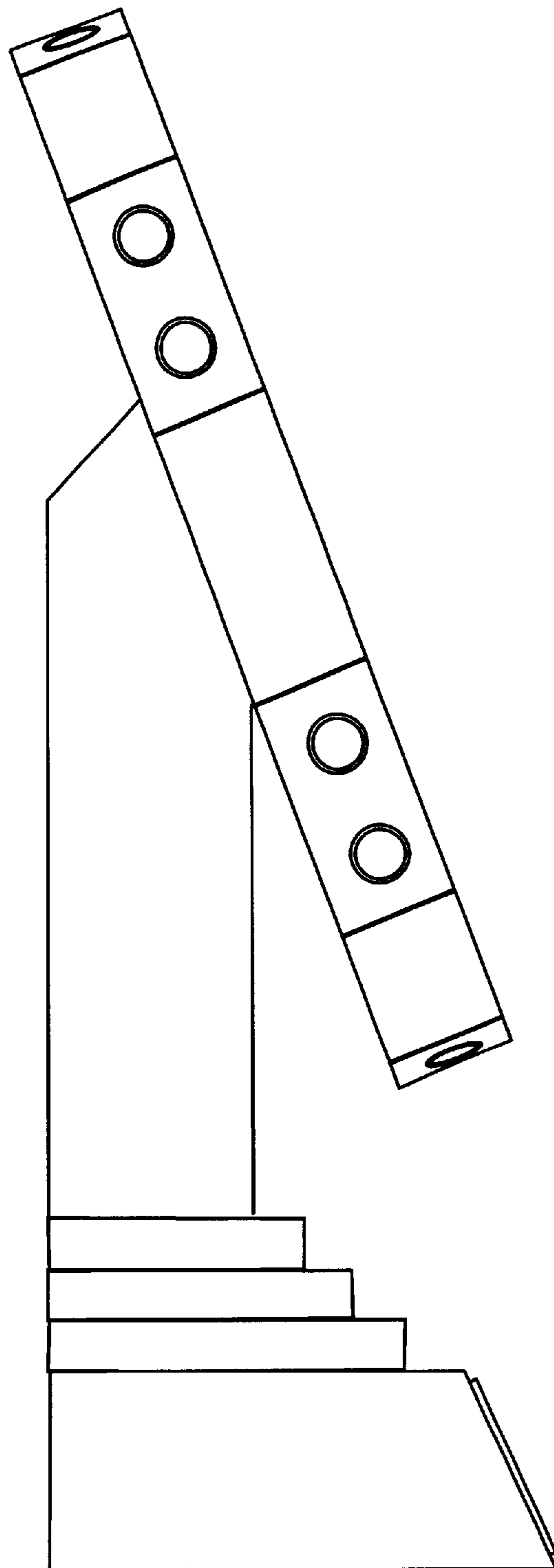


FIG. 4

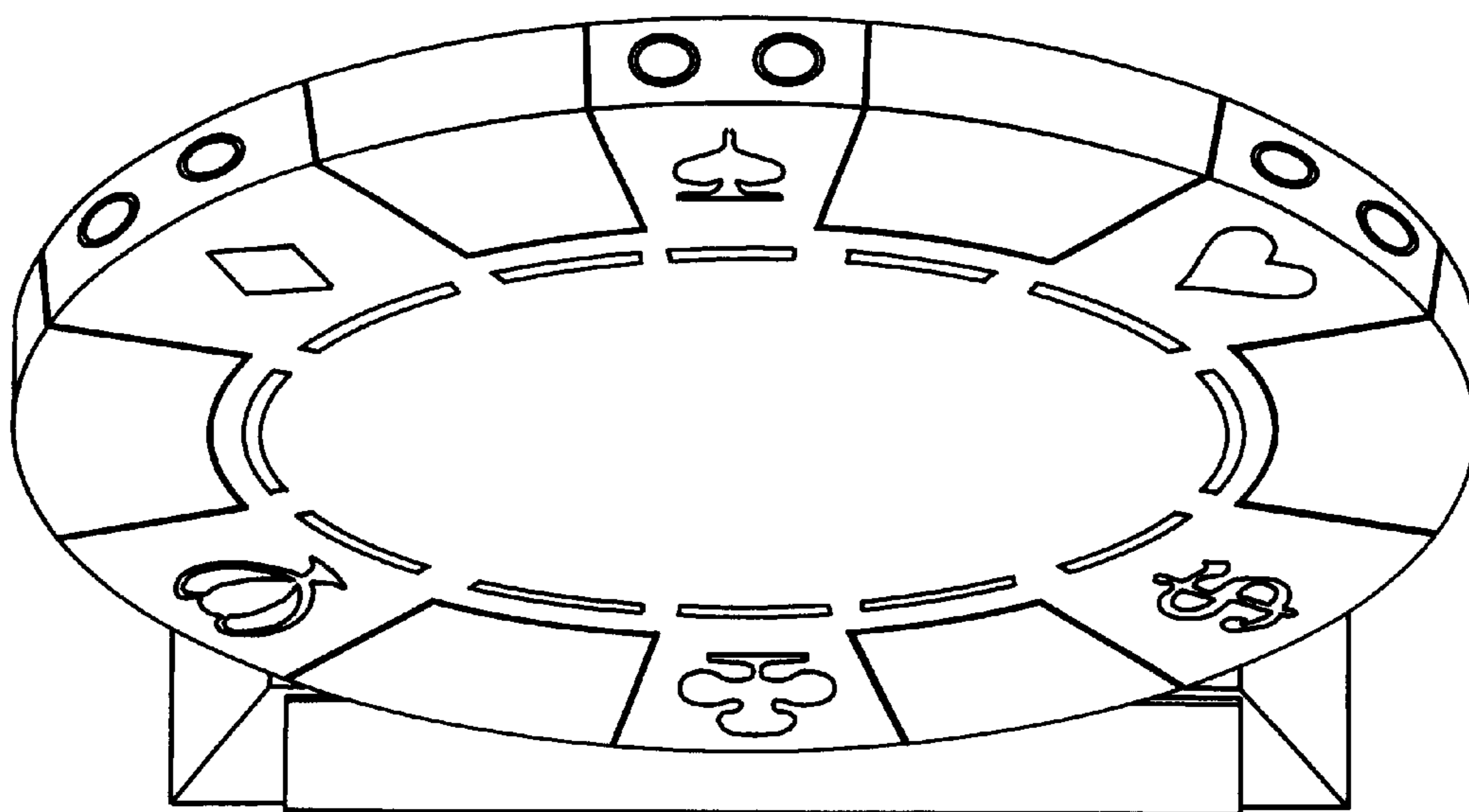


FIG. 5

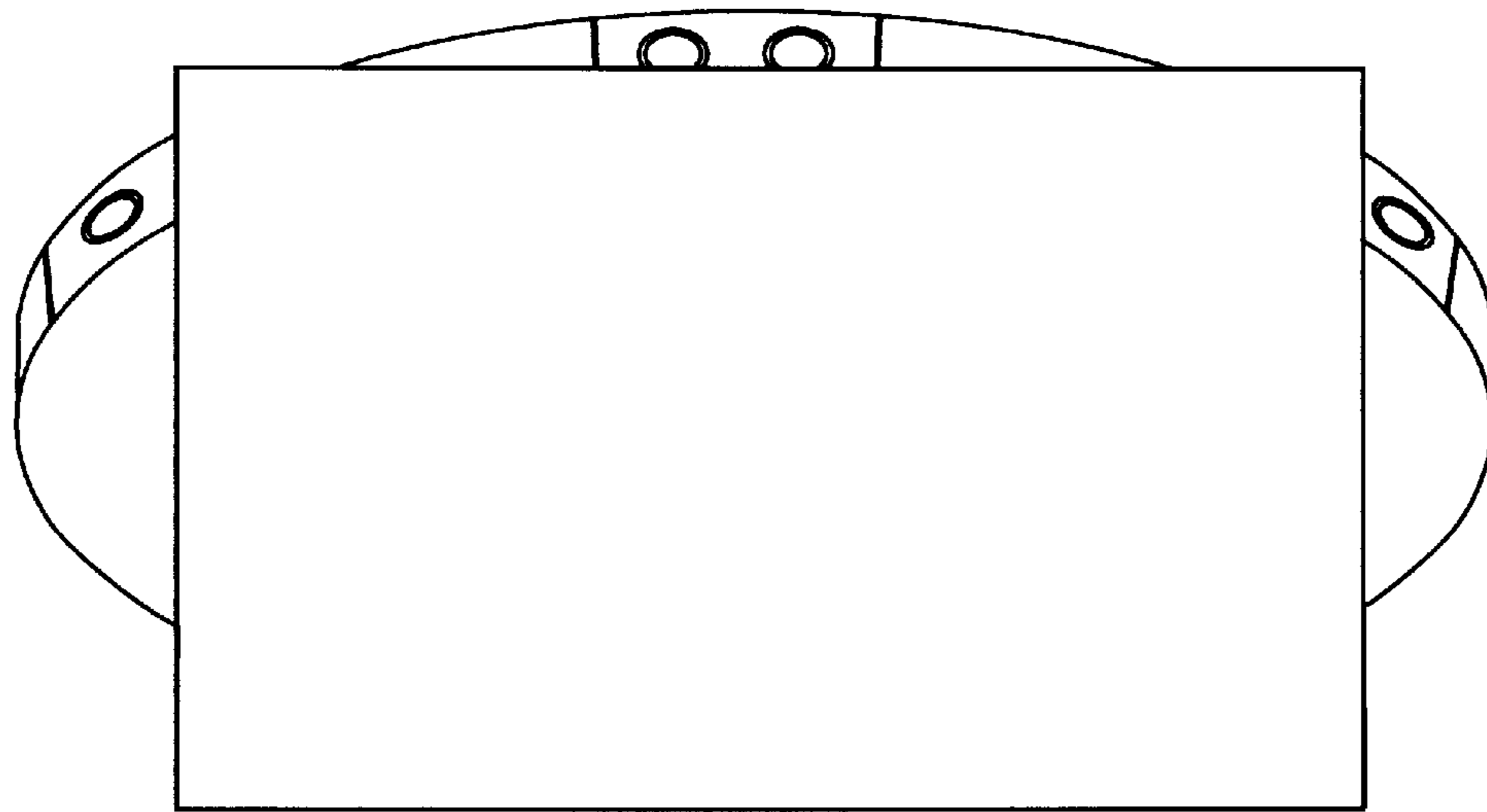


FIG. 6

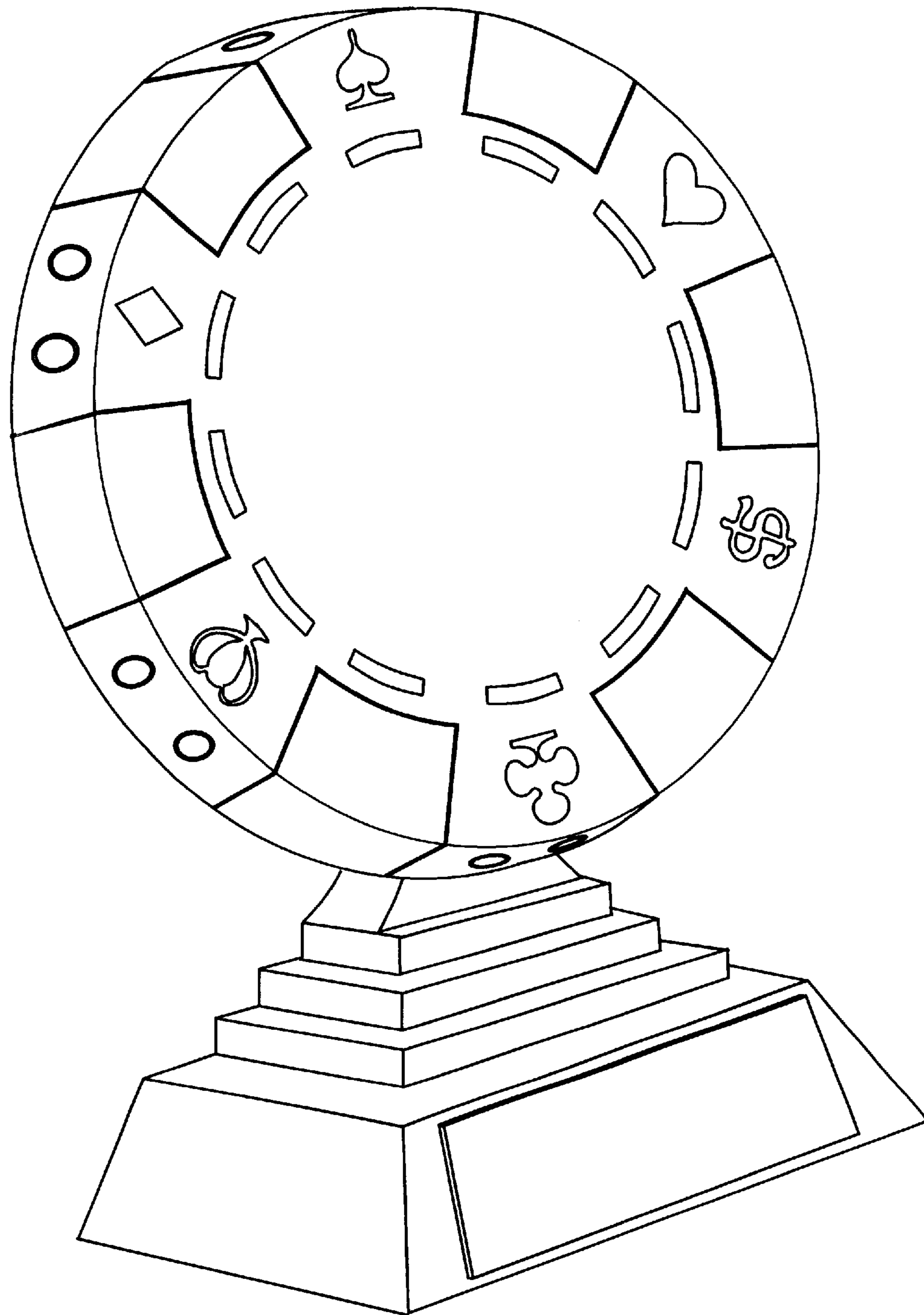


FIG. 7