



US00D512929S

(12) **United States Design Patent**
Jeffers et al.

(10) **Patent No.:** **US D512,929 S**

(45) **Date of Patent:** **** Dec. 20, 2005**

(54) **COMPRESSOR TESTER CABINET**

(75) Inventors: **Edward Jeffers**, Hialeah, FL (US);
Richard Koldewey, Hialeah, FL (US)

(73) Assignee: **CPS Products, Inc.**, Hialeah, FL (US)

(**) Term: **14 Years**

(21) Appl. No.: **29/208,466**

(22) Filed: **Jun. 29, 2004**

(51) **LOC (6) Cl.** **10-04**

(52) **U.S. Cl.** **D10/83**

(58) **Field of Search** D10/83-85; 73/37;
200/61.62; 417/411

(56) **References Cited**

U.S. PATENT DOCUMENTS

4,375,162 A * 3/1983 Eppley 73/37
6,694,802 B1 * 2/2004 Comardo 73/37

* cited by examiner

Primary Examiner—Antoine D. Davis
(74) *Attorney, Agent, or Firm*—Malin, Haley & DeMaggio,
P.A.

(57) **CLAIM**

The ornamental design for a compressor tester cabinet, as shown and described.

DESCRIPTION

FIG. 1 is a top plan view of the cabinet, showing the new design;

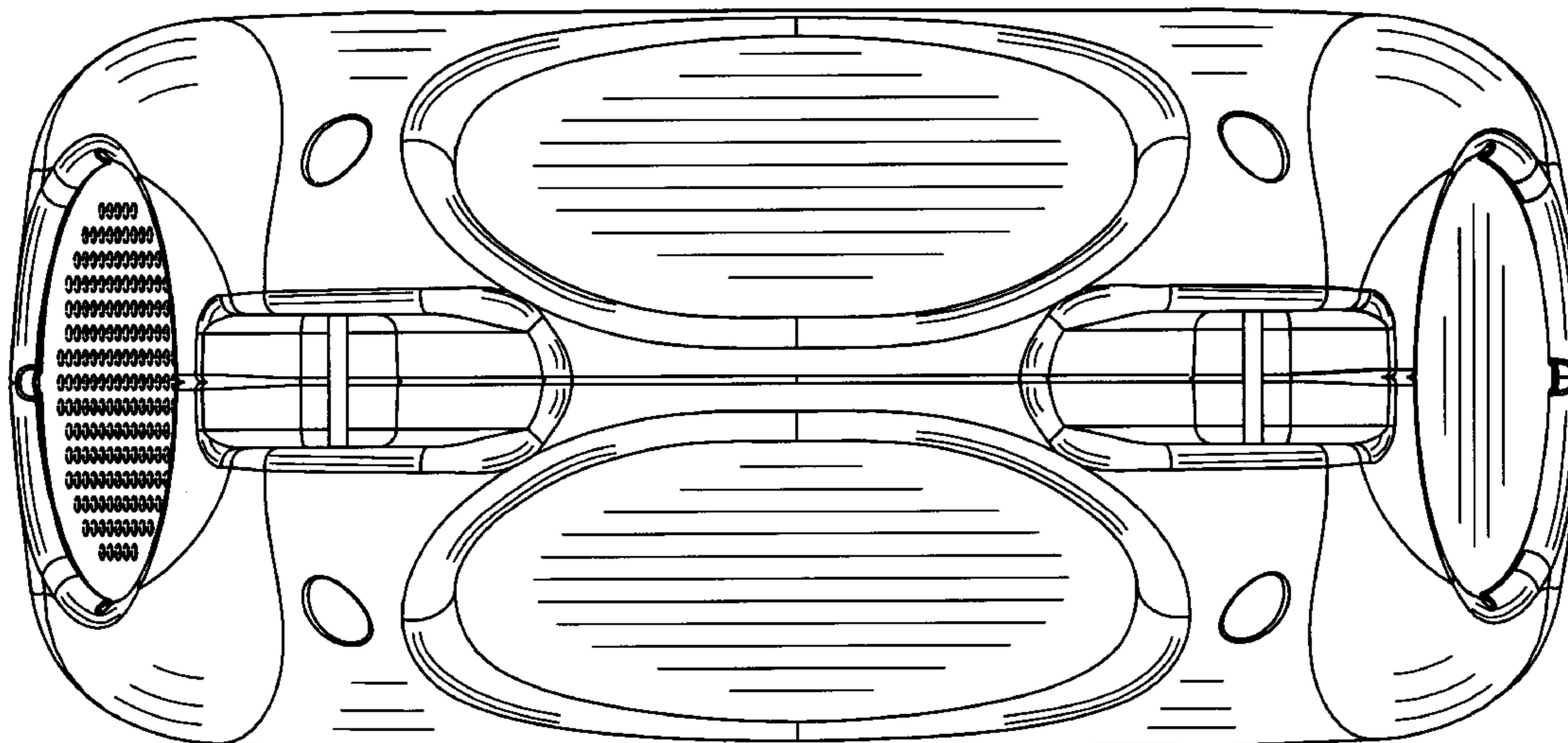
FIG. 2 is a front elevation view of the cabinet, the back view being identical thereto;

FIG. 3 is a bottom plan view of the cabinet; and,

FIG. 4 is a left side elevation view of the cabinet, the right side view being identical thereto.

The broken line showing is for illustrative purposes only and forms no part of the claimed design.

1 Claim, 4 Drawing Sheets



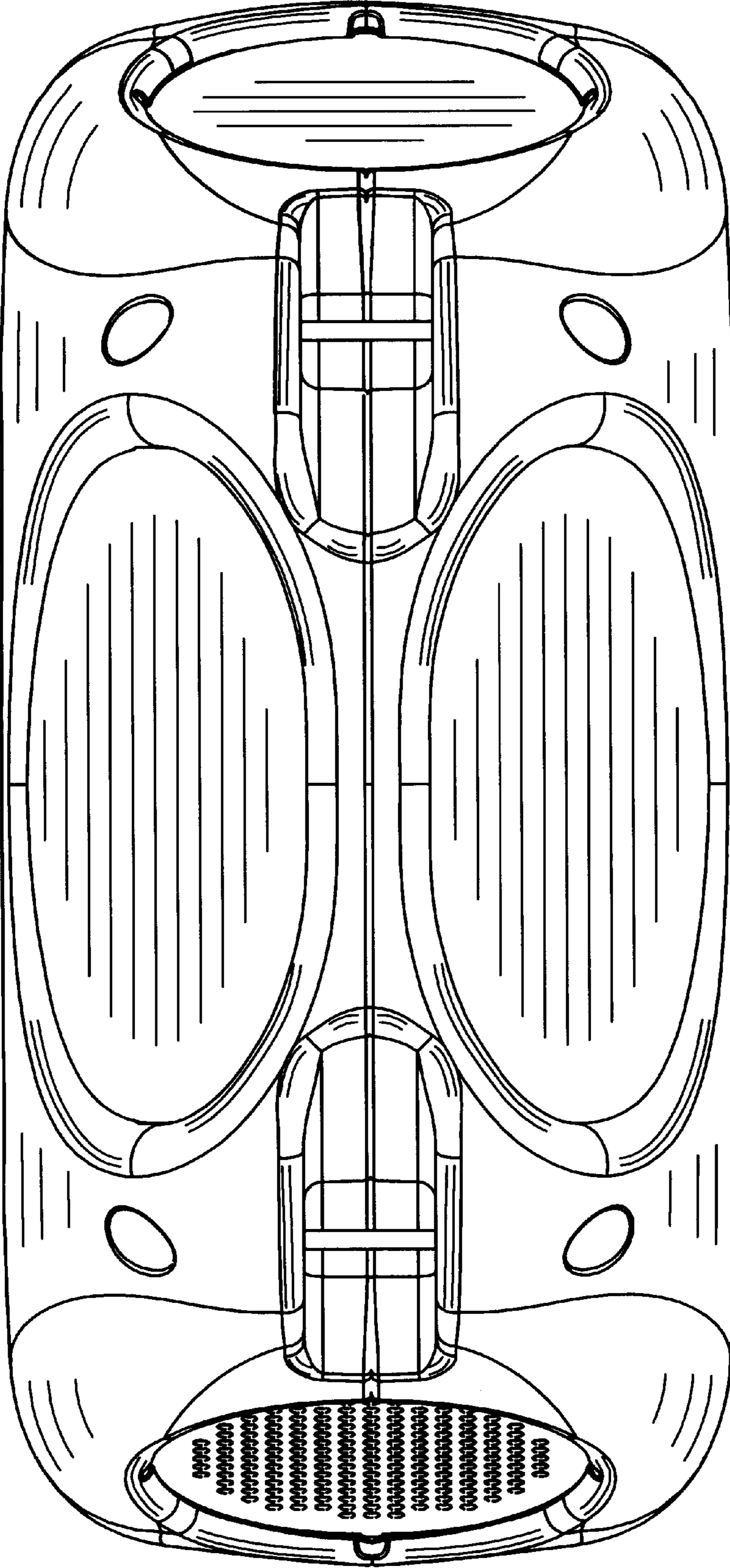


FIG. 1

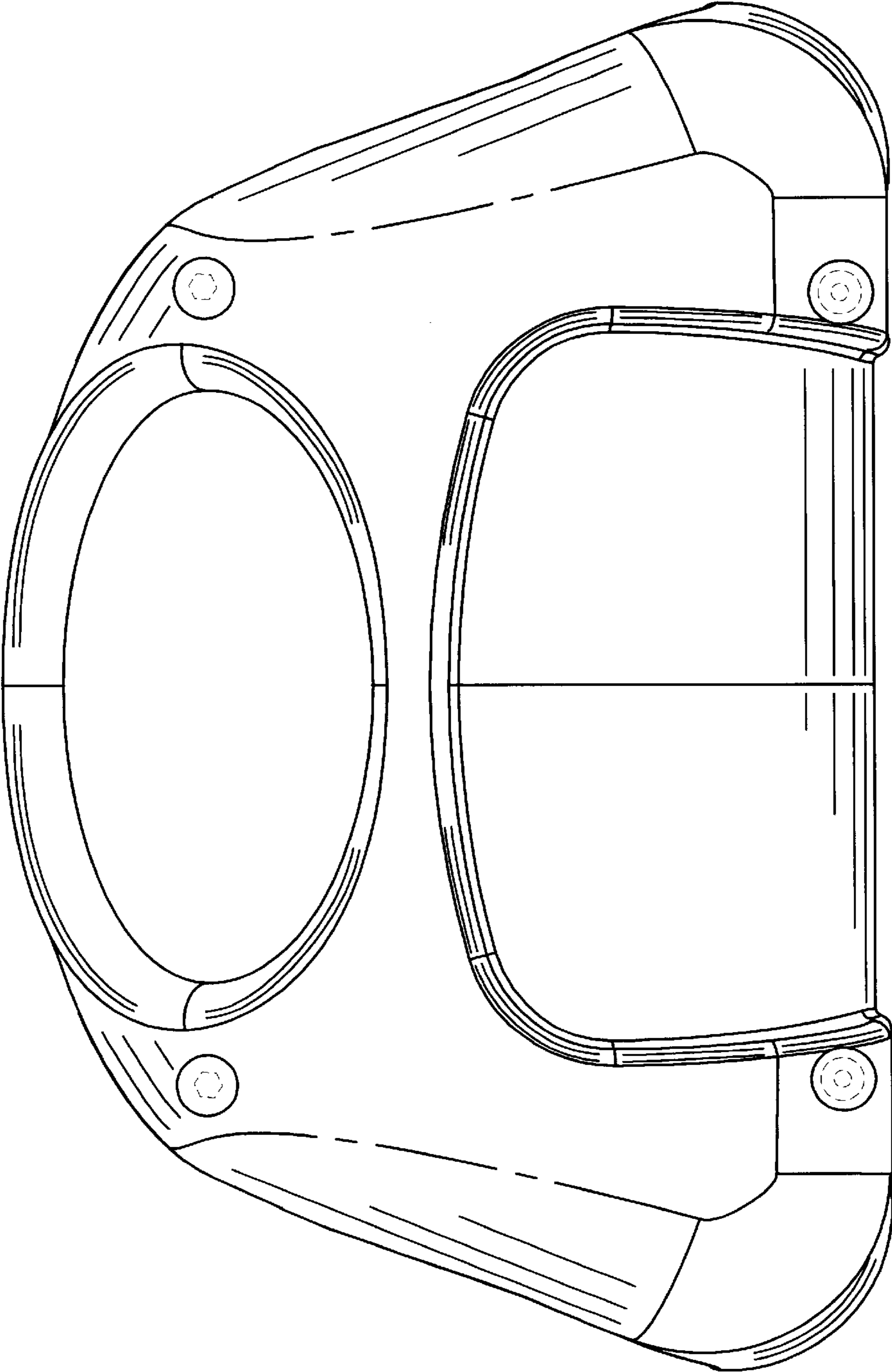


FIG. 2

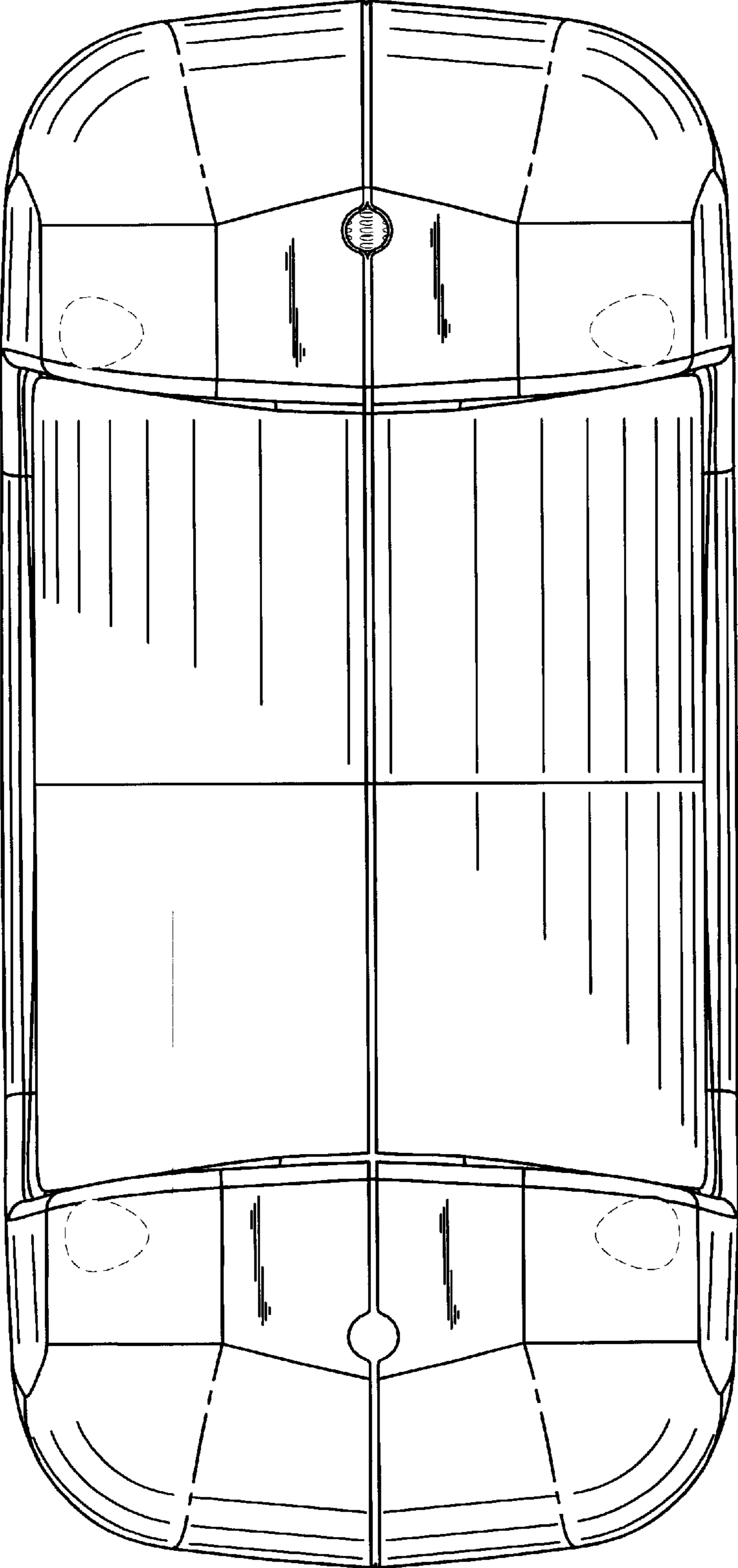


FIG. 3

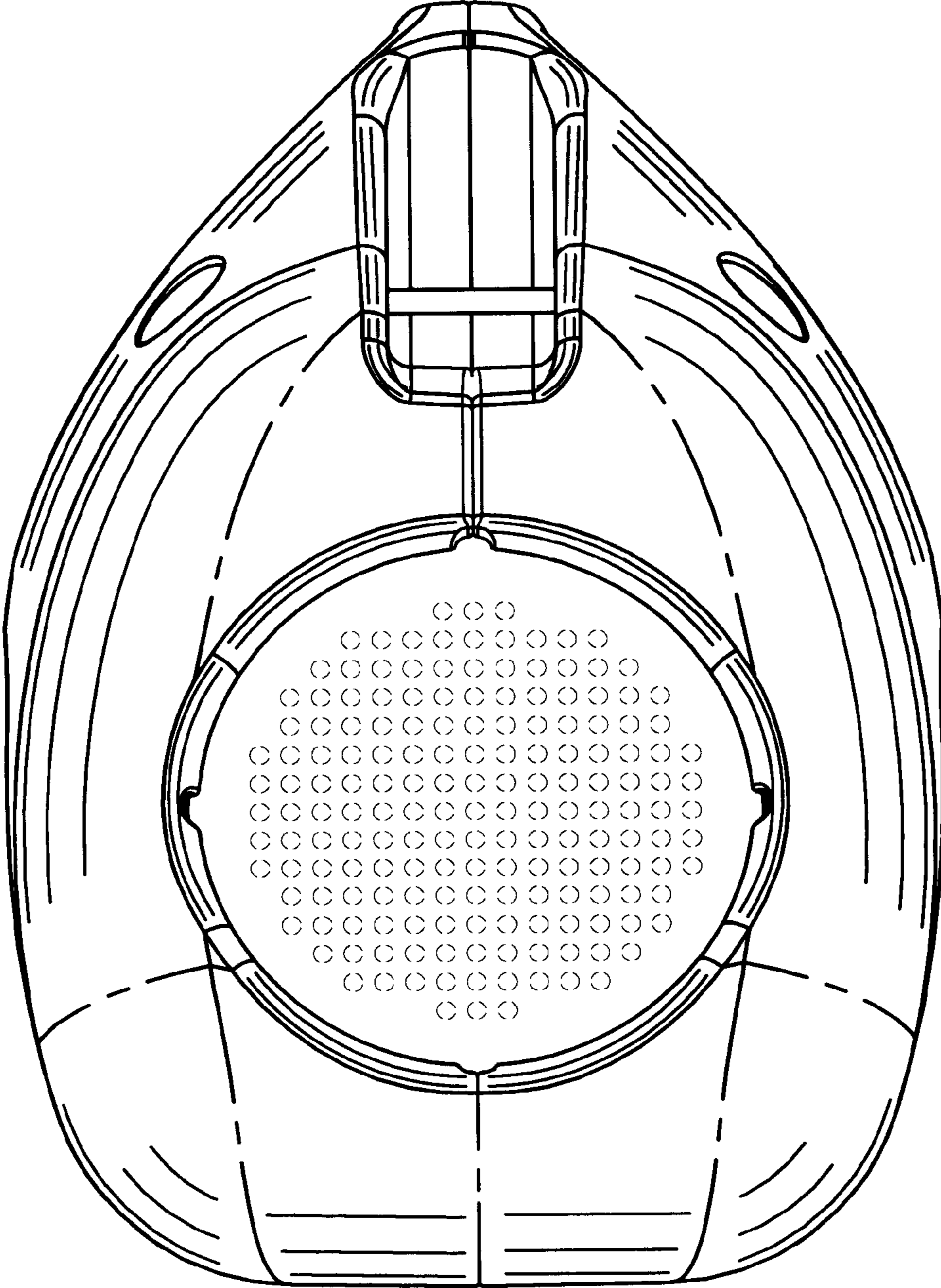


FIG. 4