



US00D512927S

(12) **United States Design Patent** (10) **Patent No.:** **US D512,927 S**
Verdura et al. (45) **Date of Patent:** **** Dec. 20, 2005**

(54) **RULER**

(75) Inventors: **Javier Verdura**, Milford, CT (US);
Wayne S. Marcus, Fairfield, CT (US);
Peter Michaelian, Tappan, NY (US);
Stuart David Farnworth, Westport, CT (US)

(73) Assignee: **Acme United Corporation**, Fairfield, CT (US)

(**) Term: **14 Years**

(21) Appl. No.: **29/213,429**

(22) Filed: **Sep. 17, 2004**

(51) **LOC (6) Cl.** **10-04**

(52) **U.S. Cl.** **D10/71**

(58) **Field of Search** D10/71; 33/483-494

(56) **References Cited**

U.S. PATENT DOCUMENTS

D378,743 S * 4/1997 McDonald et al. D10/71

* cited by examiner

Primary Examiner—Antoine D. Davis

(74) *Attorney, Agent, or Firm*—Alix, Yale & Ristas, LLP

(57) **CLAIM**

The ornamental design for a ruler, as shown and described.

DESCRIPTION

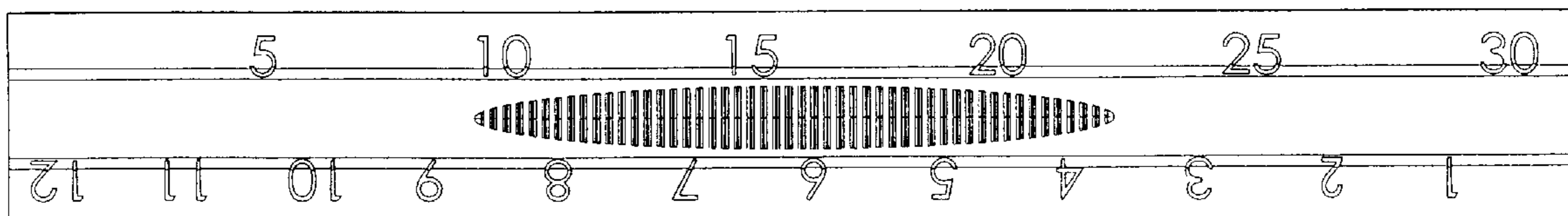
FIG. 1 is a top plan view of the ruler showing our new design;

FIG. 2 is a bottom plan view of the ruler of FIG. 1;

FIG. 3 is a front elevation view of the ruler of FIG. 1, the back elevation view being substantially similar thereto with the exception of the numerals shown best in FIG. 1; and,

FIG. 4 is a left side view of the ruler of FIG. 1, the right side view being identical thereto.

1 Claim, 1 Drawing Sheet



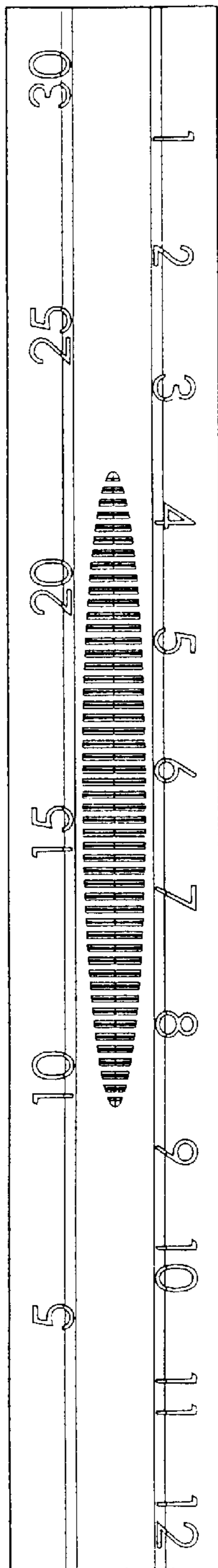


Fig. 1



Fig. 3

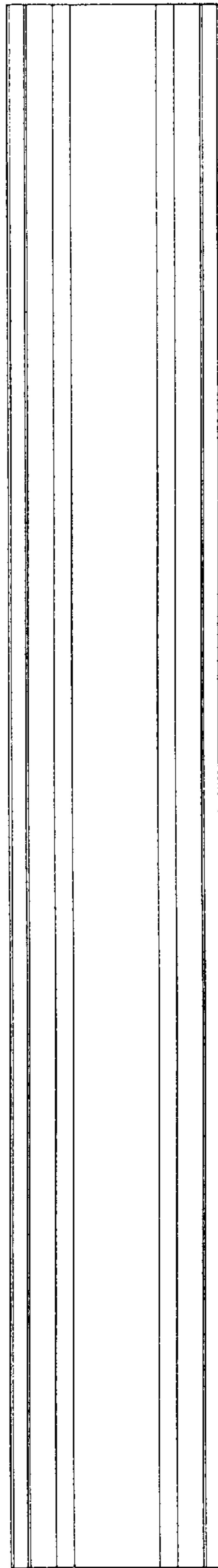


Fig. 2



Fig. 4