



US00D512912S

(12) **United States Design Patent** (10) **Patent No.:** **US D512,912 S**  
**Biesecker et al.** (45) **Date of Patent:** **\*\* Dec. 20, 2005**

(54) **CONTAINER CLOSURE HAVING A THUMB TAB**

(75) Inventors: **Frederick N. Biesecker**, Boyertown, PA (US); **Donald Rochow**, Douglassville, PA (US)

(73) Assignee: **Drug Plastics & Glass Company, Inc.**, Boyertown, PA (US)

(\*\*) Term: **14 Years**

(21) Appl. No.: **29/205,751**

(22) Filed: **May 20, 2004**

(51) **LOC (6) Cl.** ..... **09-07**

(52) **U.S. Cl.** ..... **D9/443**

(58) **Field of Search** ..... D9/719, 529, 504, D9/503, 500, 454, 449, 447, 445, 444, 440, 435, 434; D7/900, 608, 538, 511, 392.1, 317, 313, 312; 220/915, 726; 215/228, 201; 222/545

D370,845 S \* 6/1996 Sherman et al. .... D9/438  
D381,910 S \* 8/1997 Sayers et al. .... D9/447  
D398,852 S 9/1998 Gross  
D424,442 S \* 5/2000 Kreiseder ..... D9/449  
6,152,320 A 11/2000 Hierzer et al.  
6,161,711 A 12/2000 Miceli et al.  
D438,114 S 2/2001 Stonberg  
D444,705 S 7/2001 Meeker et al.  
D445,983 S 7/2001 Laughton  
6,460,726 B1 10/2002 Hierzer et al.  
D472,144 S 3/2003 Hierzer et al.  
D480,305 S 10/2003 Nusbaum et al.  
D480,641 S 10/2003 Hurlbut et al.

\* cited by examiner

*Primary Examiner*—Robert M. Spear

*Assistant Examiner*—Susan Bennett Hattan

(74) *Attorney, Agent, or Firm*—Akin Gump Strauss Hauer & Feld, LLP

(57) **CLAIM**

The ornamental design for a container closure having a thumb tab, as shown and described.

**DESCRIPTION**

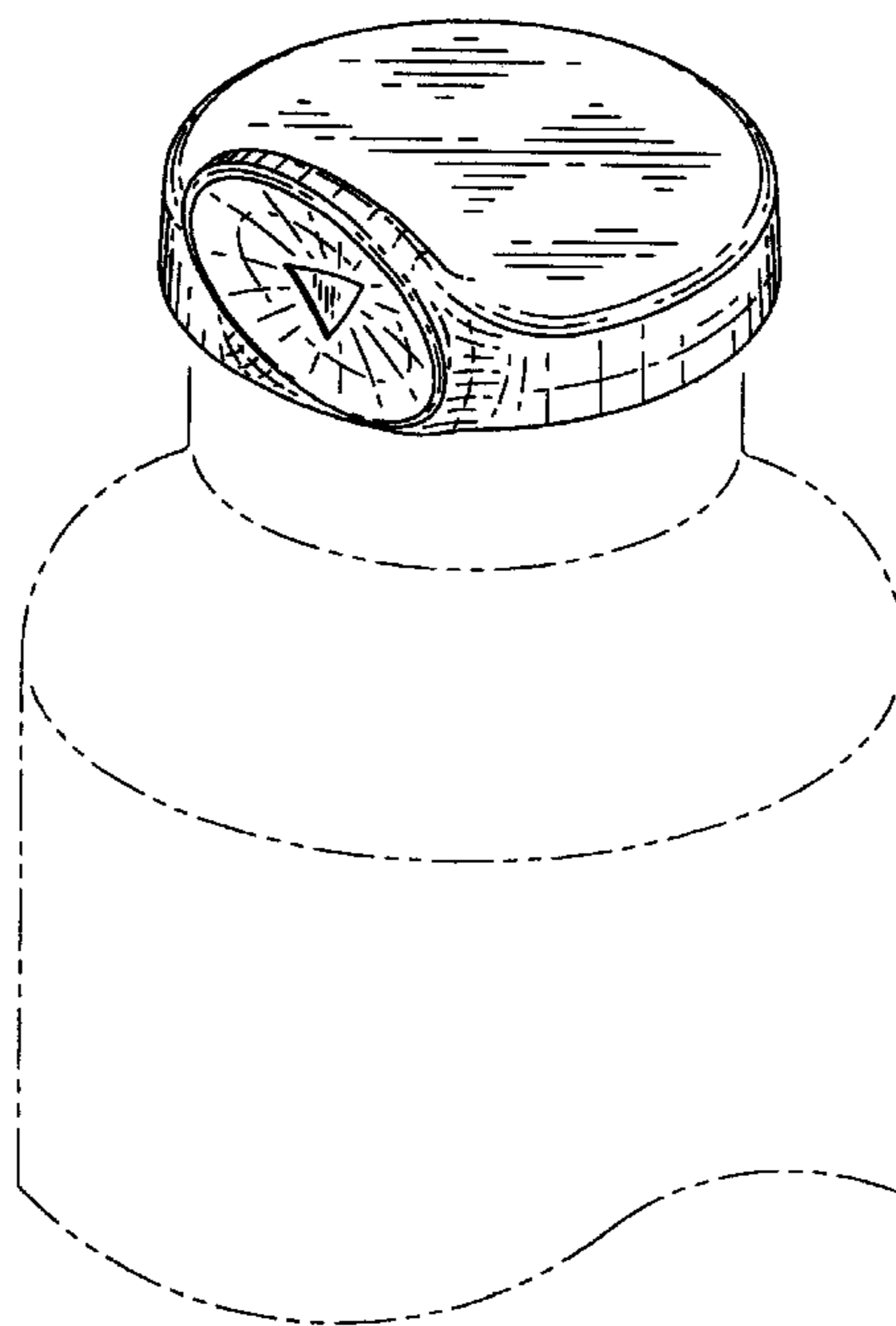
FIG. 1 is a perspective view of a container closure having a thumb tab in accordance with our new design;  
FIG. 2 is a top plan view thereof;  
FIG. 3 is a bottom plan view thereof;  
FIG. 4 is a left side view thereof;  
FIG. 5 is a front elevational view thereof;  
FIG. 6 is a right side view thereof; and,  
FIG. 7 is a rear elevational view thereof.  
The broken lines in the figures are for illustrative purposes only and form no part of the claimed design.

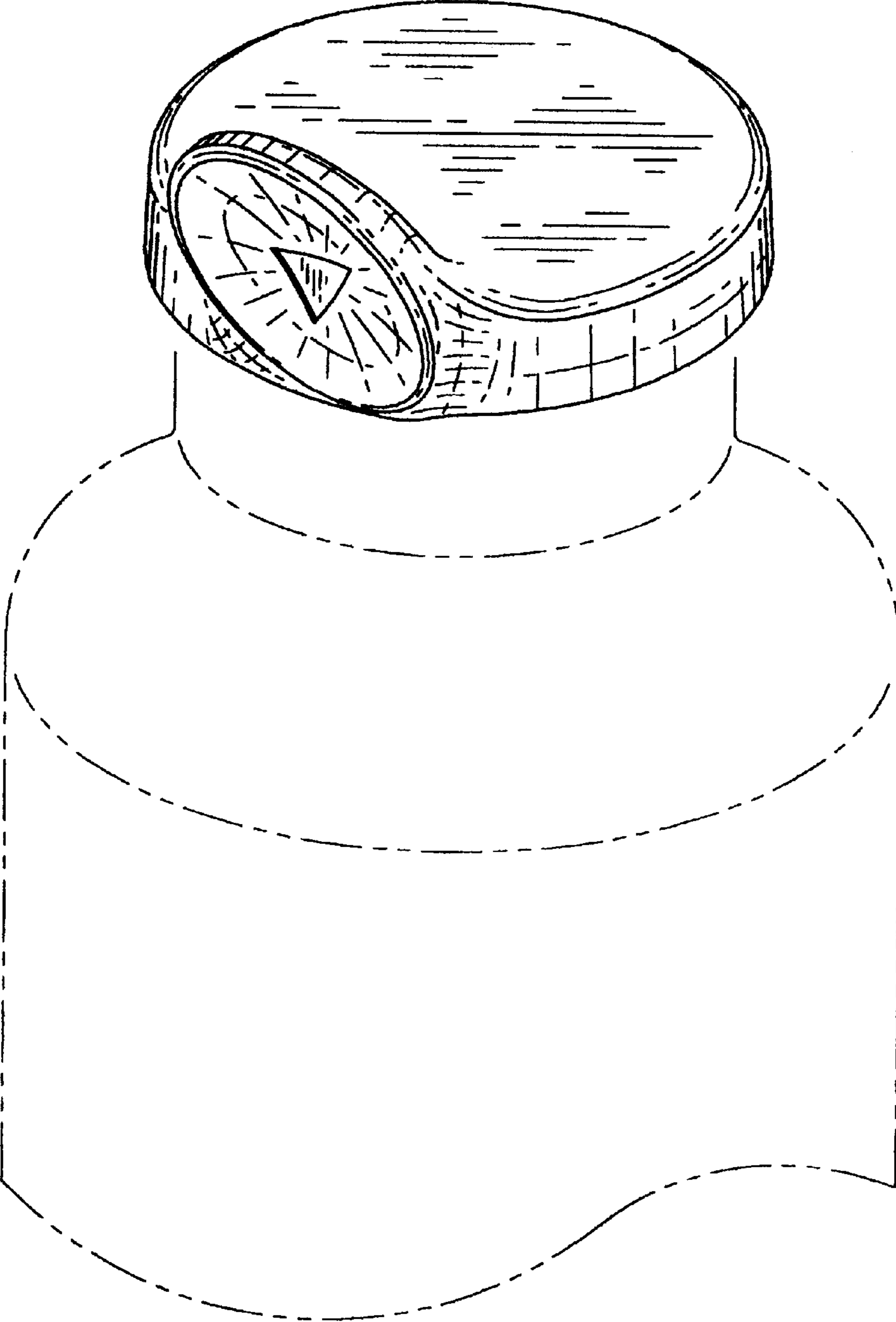
**1 Claim, 3 Drawing Sheets**

(56) **References Cited**

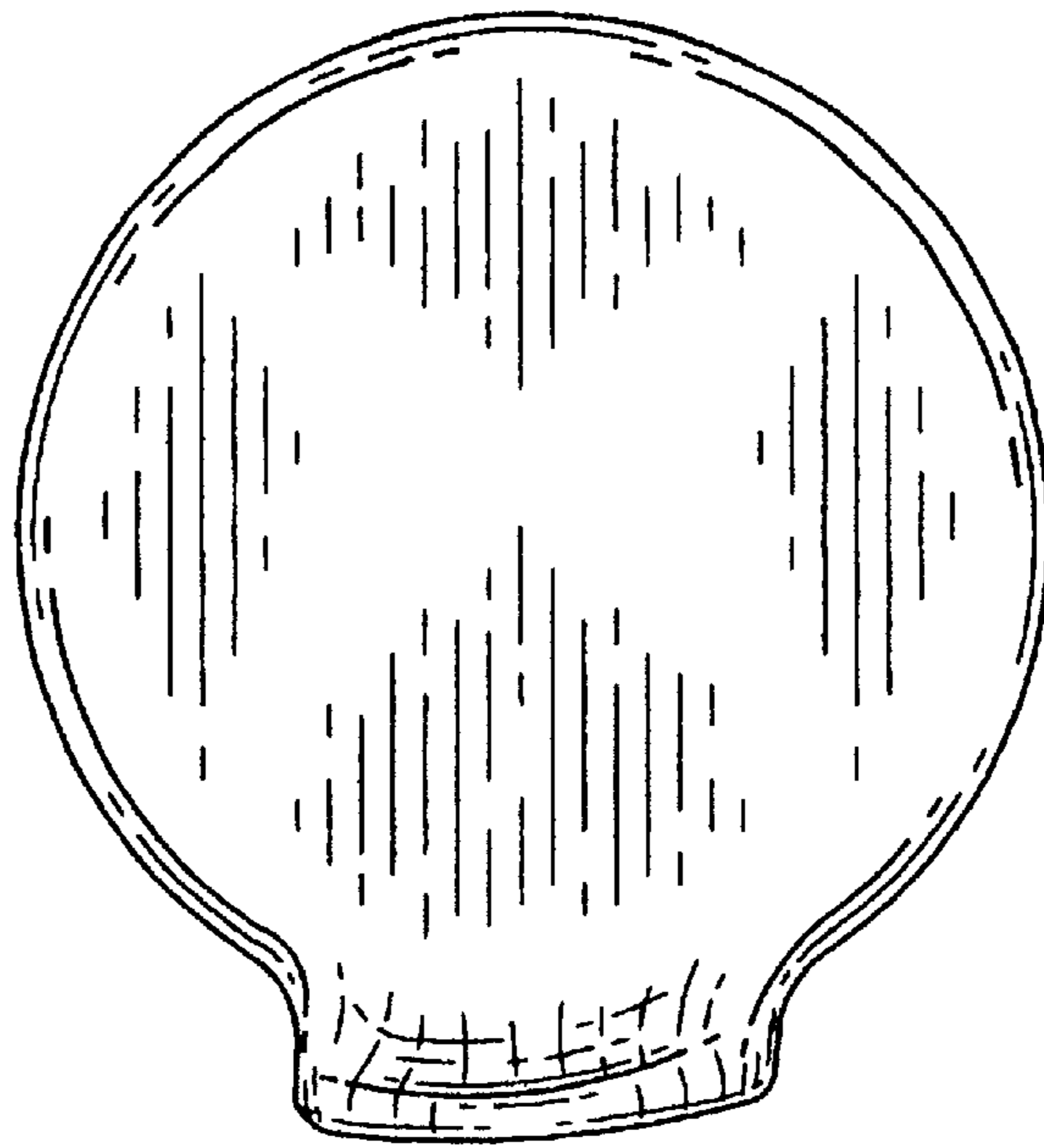
**U.S. PATENT DOCUMENTS**

D161,969 S 2/1951 Soffer  
D212,463 S 10/1968 Vanderhyde  
4,087,016 A 5/1978 Towns et al.  
D259,511 S 6/1981 Peterson  
4,506,794 A 3/1985 Wilson  
4,787,525 A \* 11/1988 Joyce ..... 215/201  
4,801,054 A \* 1/1989 Nycz ..... 222/545  
D314,339 S 2/1991 Dubach  
5,178,613 A 1/1993 Gibilisco  
5,207,657 A 5/1993 Gibilisco  
5,292,017 A 3/1994 Reifers  
D349,845 S 8/1994 Gray

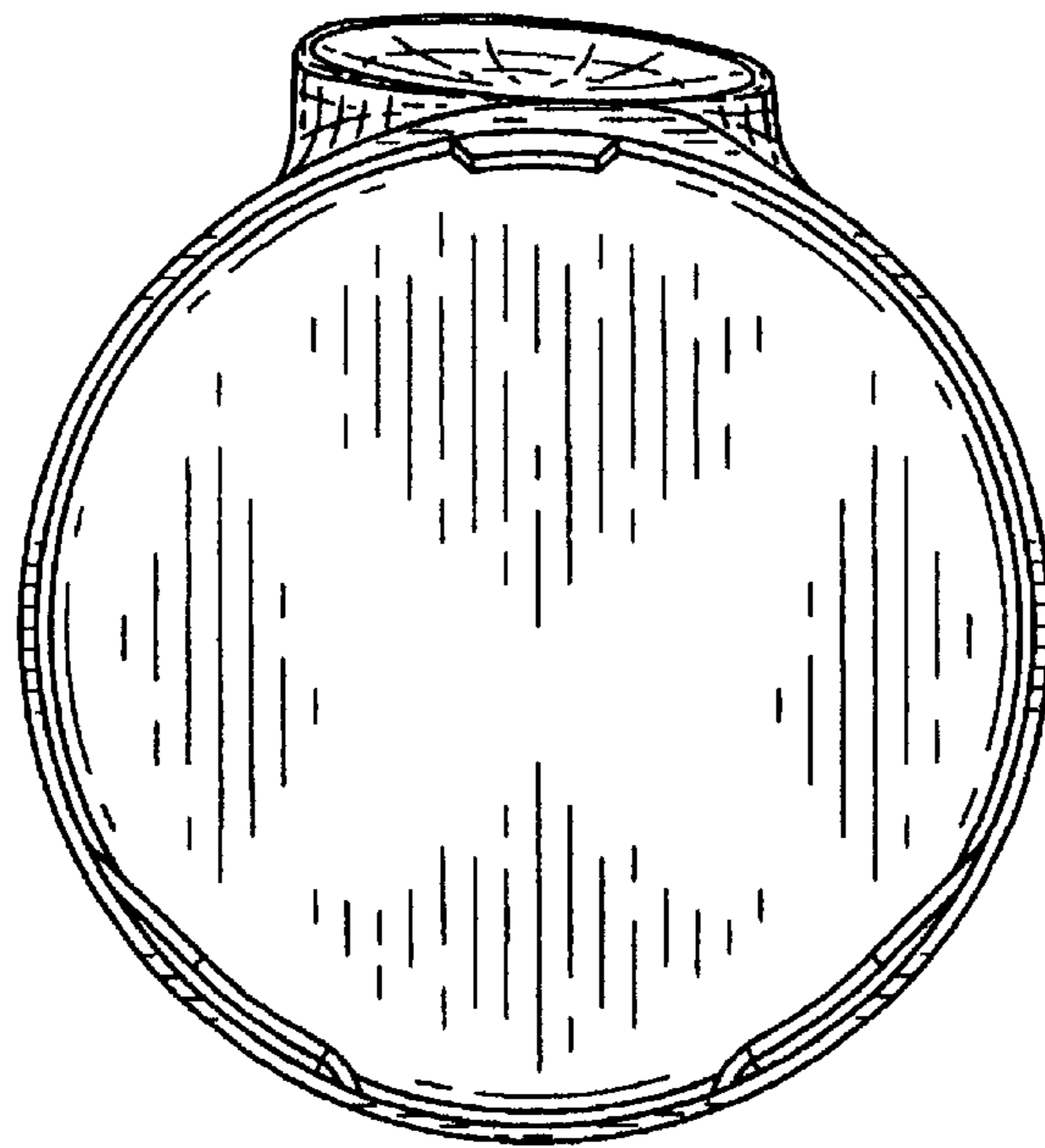




***Fig. 1***

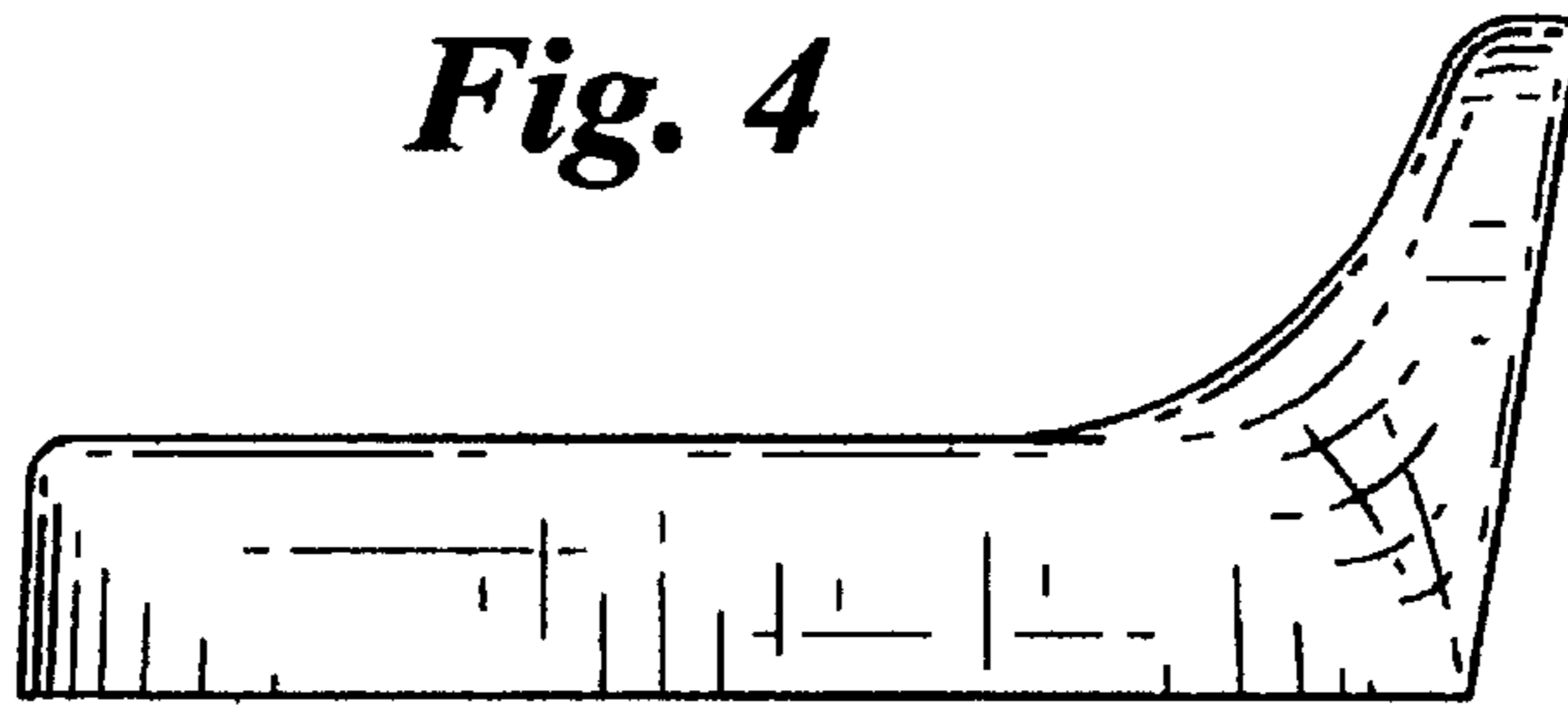


*Fig. 2*

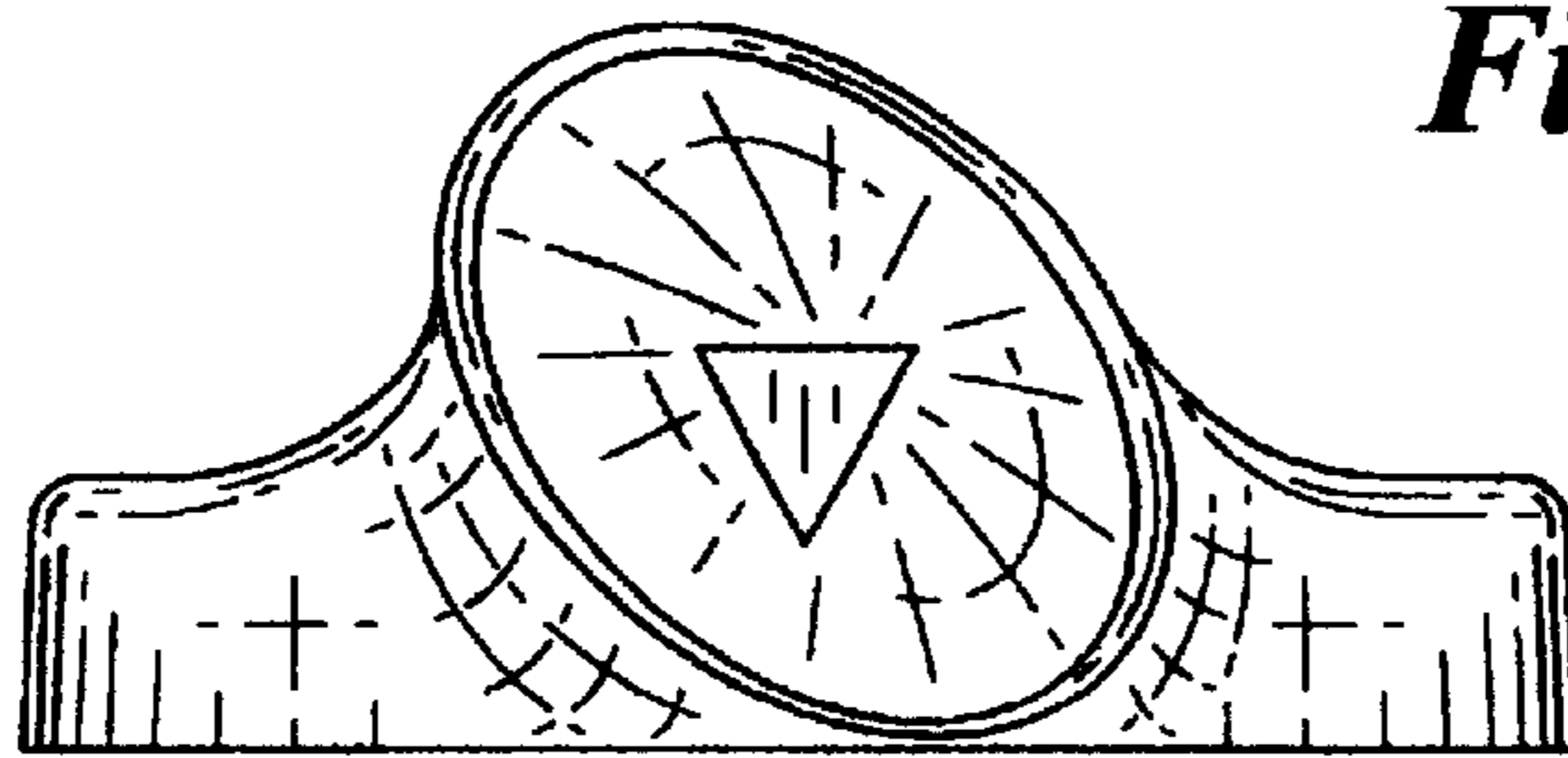


*Fig. 3*

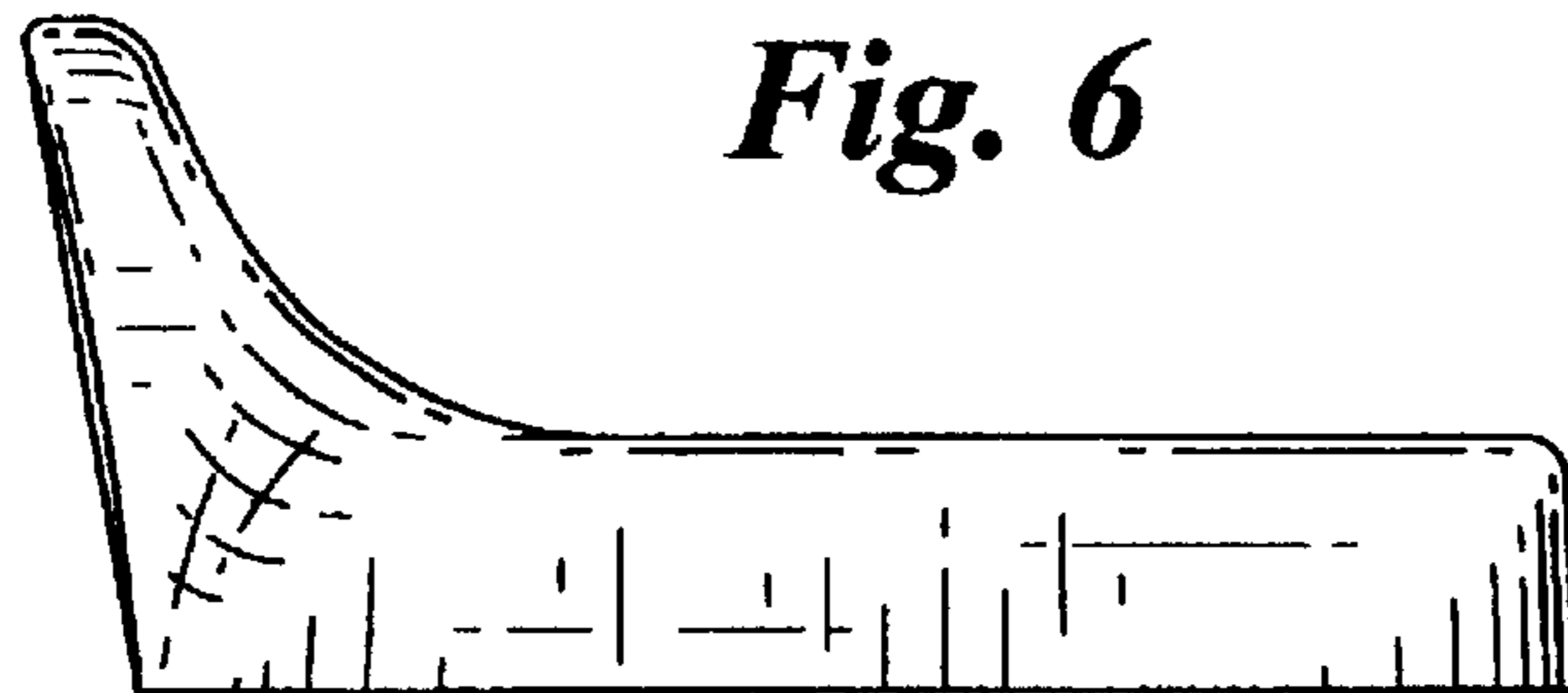
***Fig. 4***



***Fig. 5***



***Fig. 6***



***Fig. 7***

