



US00D512909S

(12) **United States Design Patent**
Buchman

(10) **Patent No.:** **US D512,909 S**
(45) **Date of Patent:** **** Dec. 20, 2005**

(54) **SLIDER DEVICE FOR A RESEALABLE CLOSURE**

6,611,996 B2 * 9/2003 Blythe et al. 24/399
D480,988 S 10/2003 Buchman D11/221

(75) Inventor: **James E. Buchman**, Hortonville, WI (US)

* cited by examiner

(73) Assignee: **Reynolds Consumer Products, Inc.**, Richmond, VA (US)

Primary Examiner—Robert M. Spear
Assistant Examiner—Susan Bennett Hattan

(**) Term: **14 Years**

(74) *Attorney, Agent, or Firm*—H. Eric Fischer; Eckert Seamans Cherin & Mellott, LLC

(21) Appl. No.: **29/190,074**

(57) **CLAIM**

(22) Filed: **Sep. 15, 2003**

The ornamental design for a slider device for a resealable closure, as shown and described.

(51) **LOC (6) Cl.** **09-07**

DESCRIPTION

(52) **U.S. Cl.** **D9/434**

(58) **Field of Search** D9/443, 435, 434;
D11/221, 220; 383/65, 64; 264/252; 24/427-431,
421, 419, 417, 416, 415, 401, 400, 399,
387, 381

FIG. 1 is a top perspective view of a slider device for a resealable closure in accordance with the present invention; FIG. 2 is a top view of the slider device for a resealable closure; FIG. 3 is a left side elevation view of the slider device for a resealable closure; FIG. 4 is a right side elevation view of the slider device for a resealable closure; FIG. 5 is a front elevation view of the slider device for a resealable closure; FIG. 6 is a rear end elevation view of the slider device for a resealable closure; and, FIG. 7 is a bottom view of the slider device for a resealable closure.

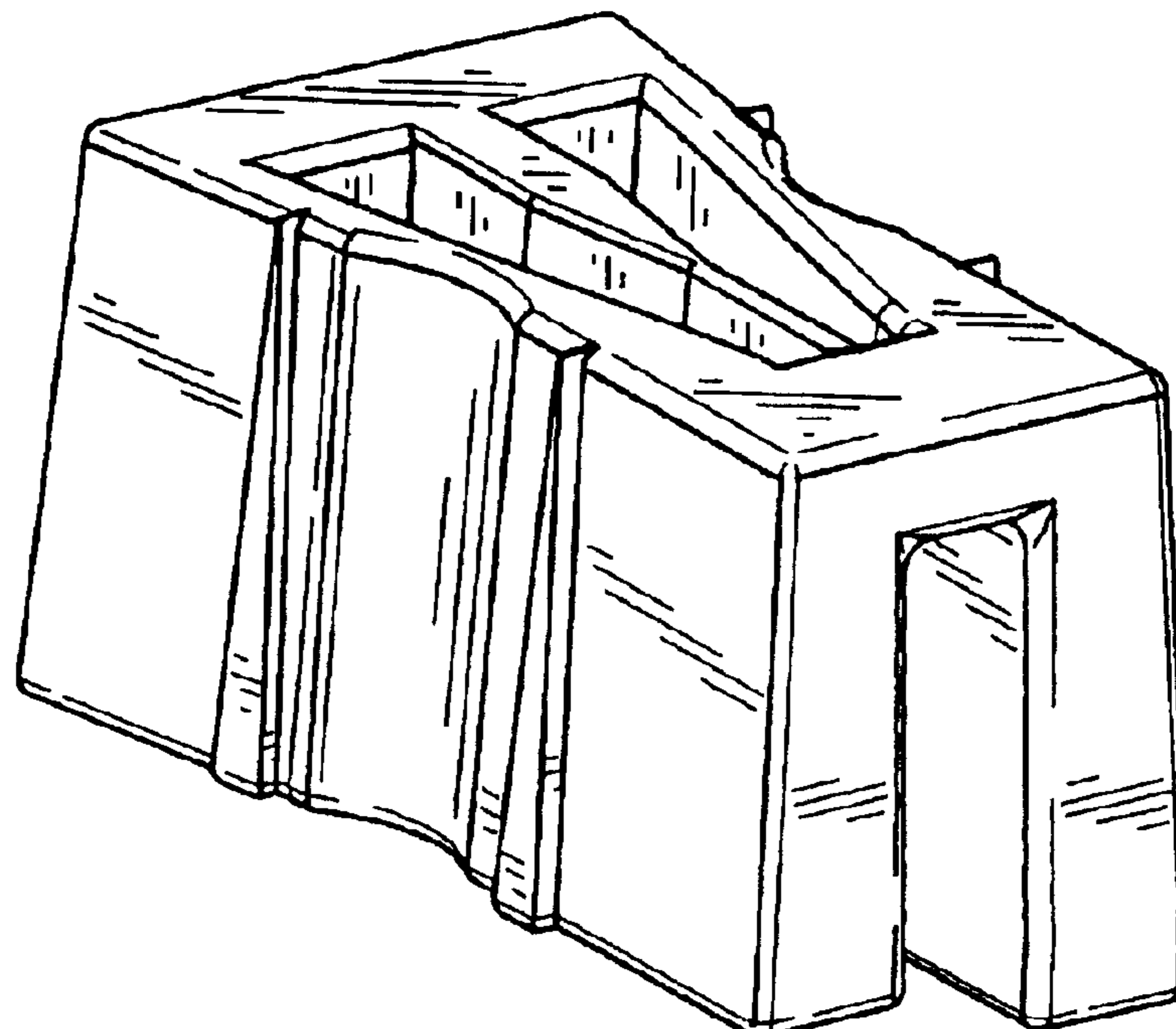
(56) **References Cited**

U.S. PATENT DOCUMENTS

| | | | |
|----------------|---------|---------------------|---------|
| D325,547 S | 4/1992 | Saito et al. | D11/221 |
| 5,950,285 A | 9/1999 | Porchia et al. | 24/400 |
| D422,909 S | 4/2000 | Smith et al. | D9/434 |
| D434,345 S | 11/2000 | Tomic | D11/221 |
| D439,866 S | 4/2001 | Savicki, Sr. | D11/221 |
| 6,286,999 B1 | 9/2001 | Cappel et al. | 383/5 |
| 6,292,986 B1 * | 9/2001 | Provan et al. | 24/415 |
| 6,364,530 B1 | 4/2002 | Buchman | 383/64 |
| D469,721 S | 2/2003 | Buchman | D11/221 |
| D479,467 S | 9/2003 | Buchman | D9/434 |

The phantom lines in the figures show the remaining portions of the slider device and are for illustrative purposes only and form no part of the claimed design.

1 Claim, 3 Drawing Sheets



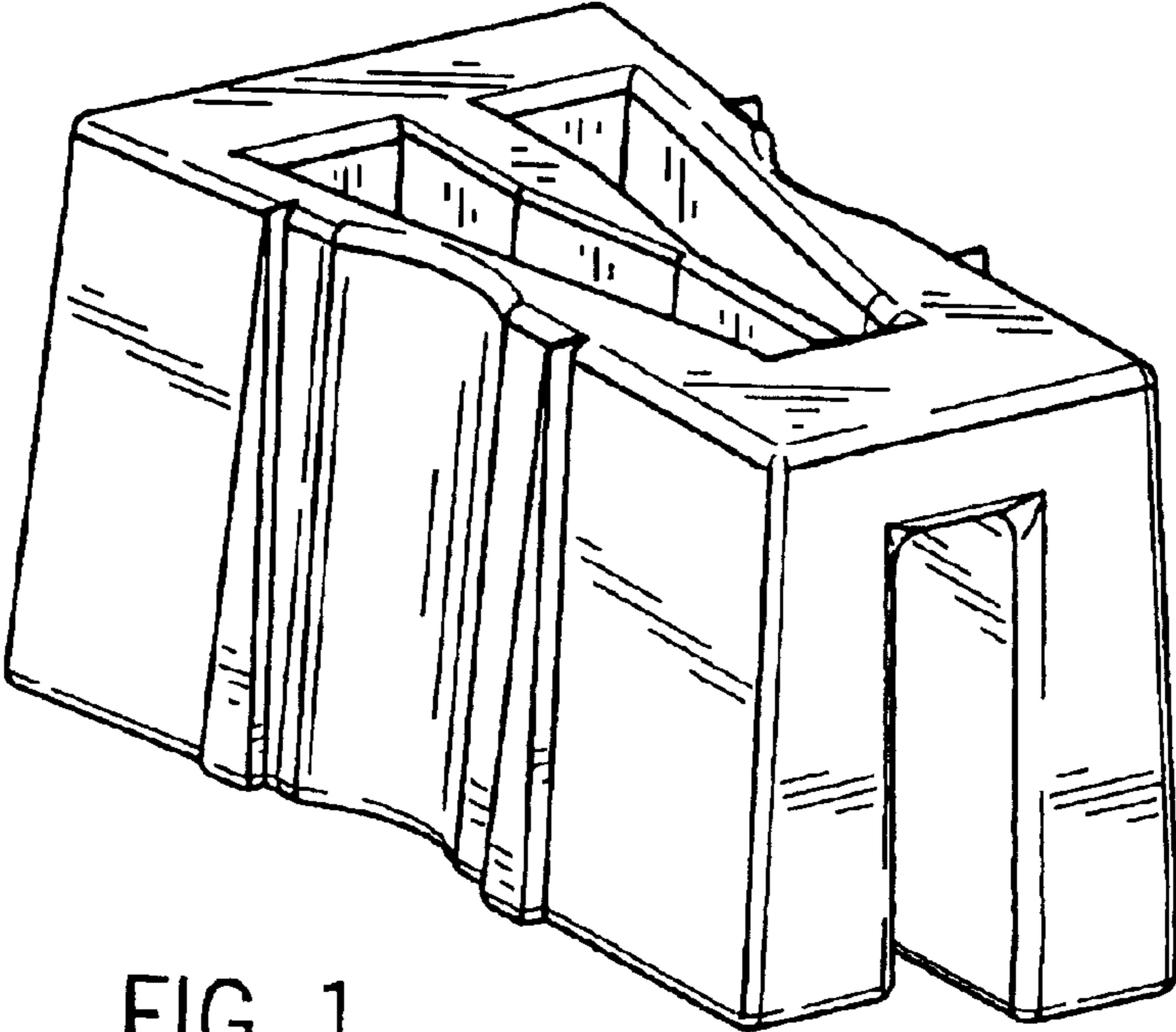
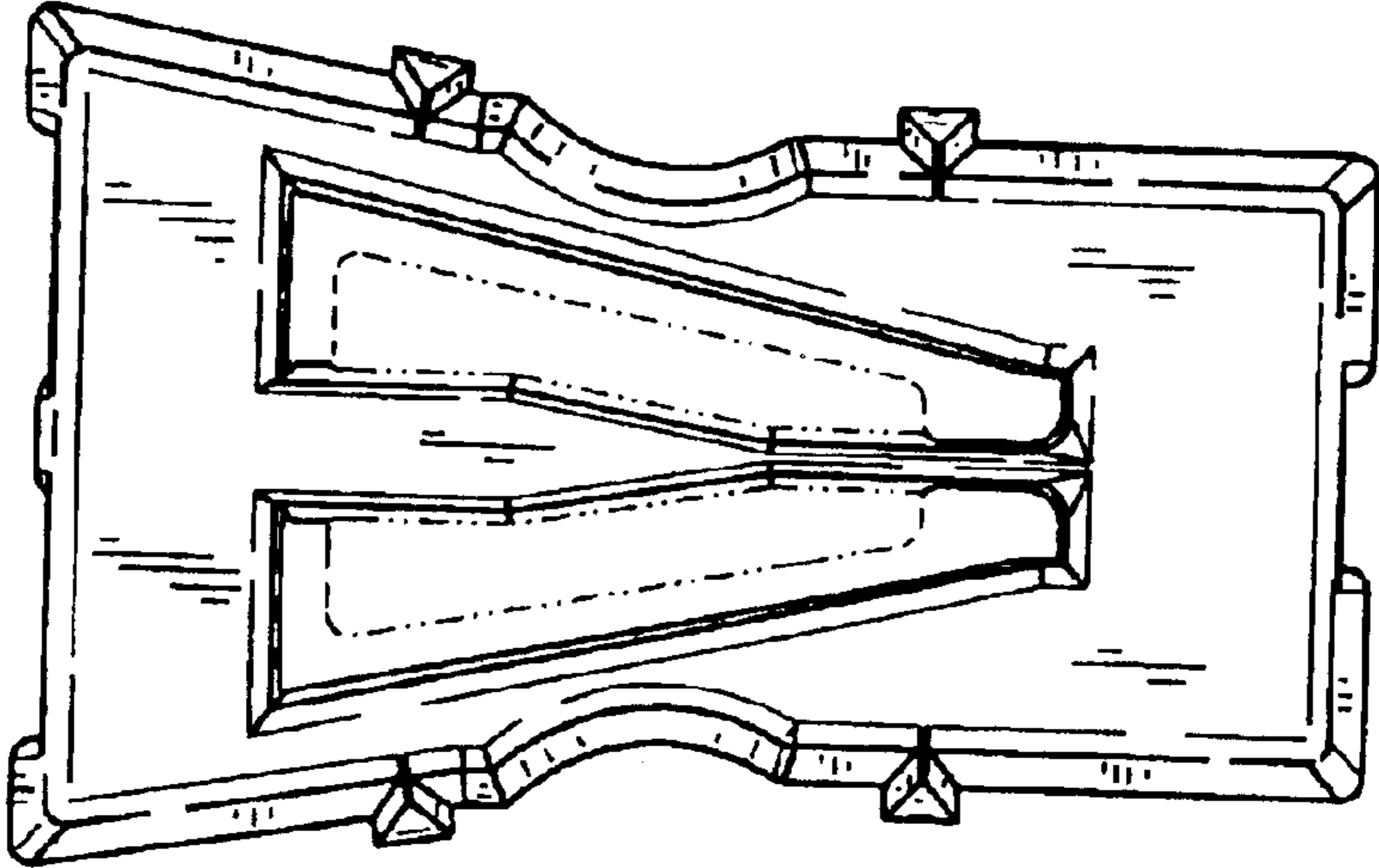


FIG. 1

FIG. 2



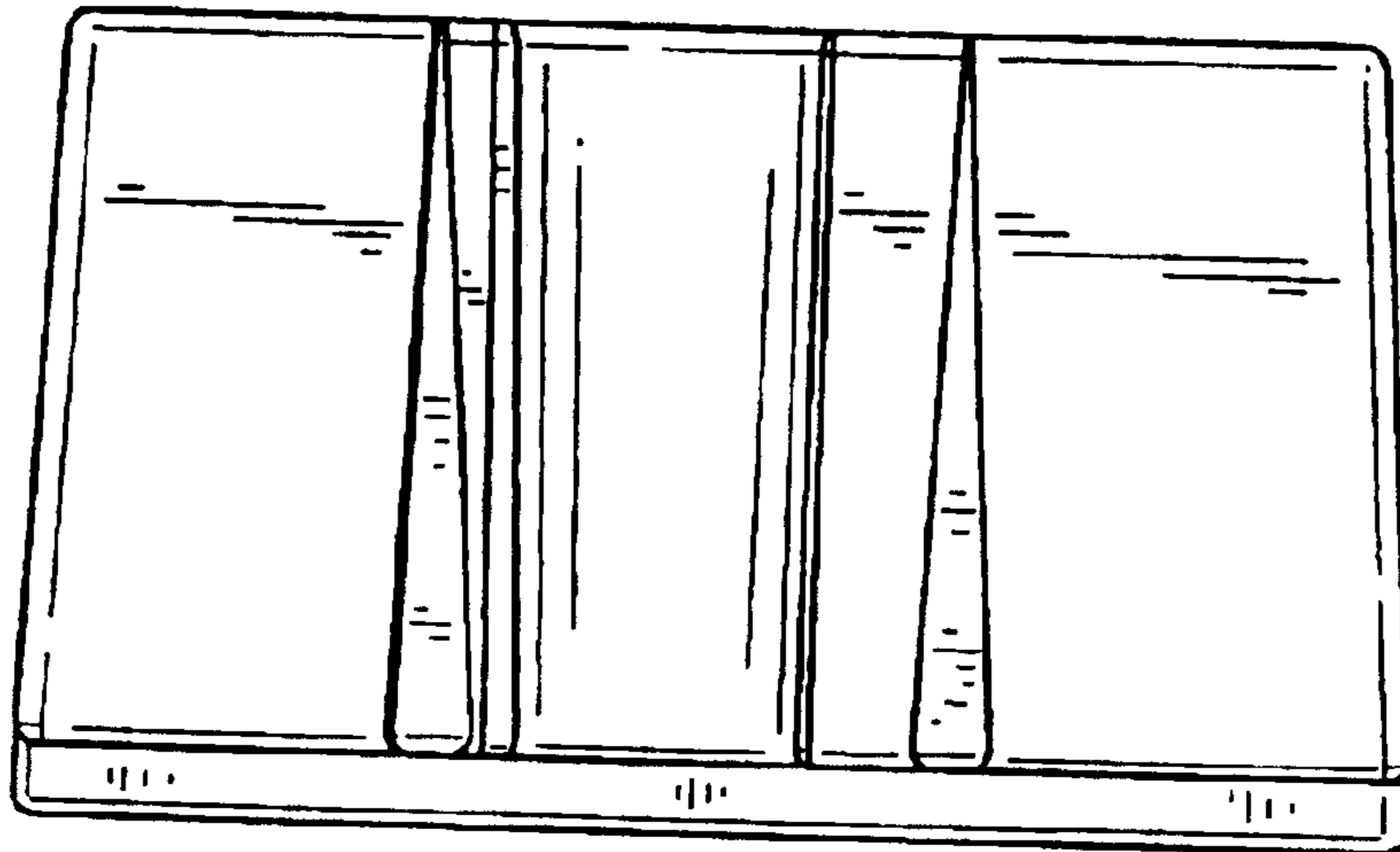


FIG. 3

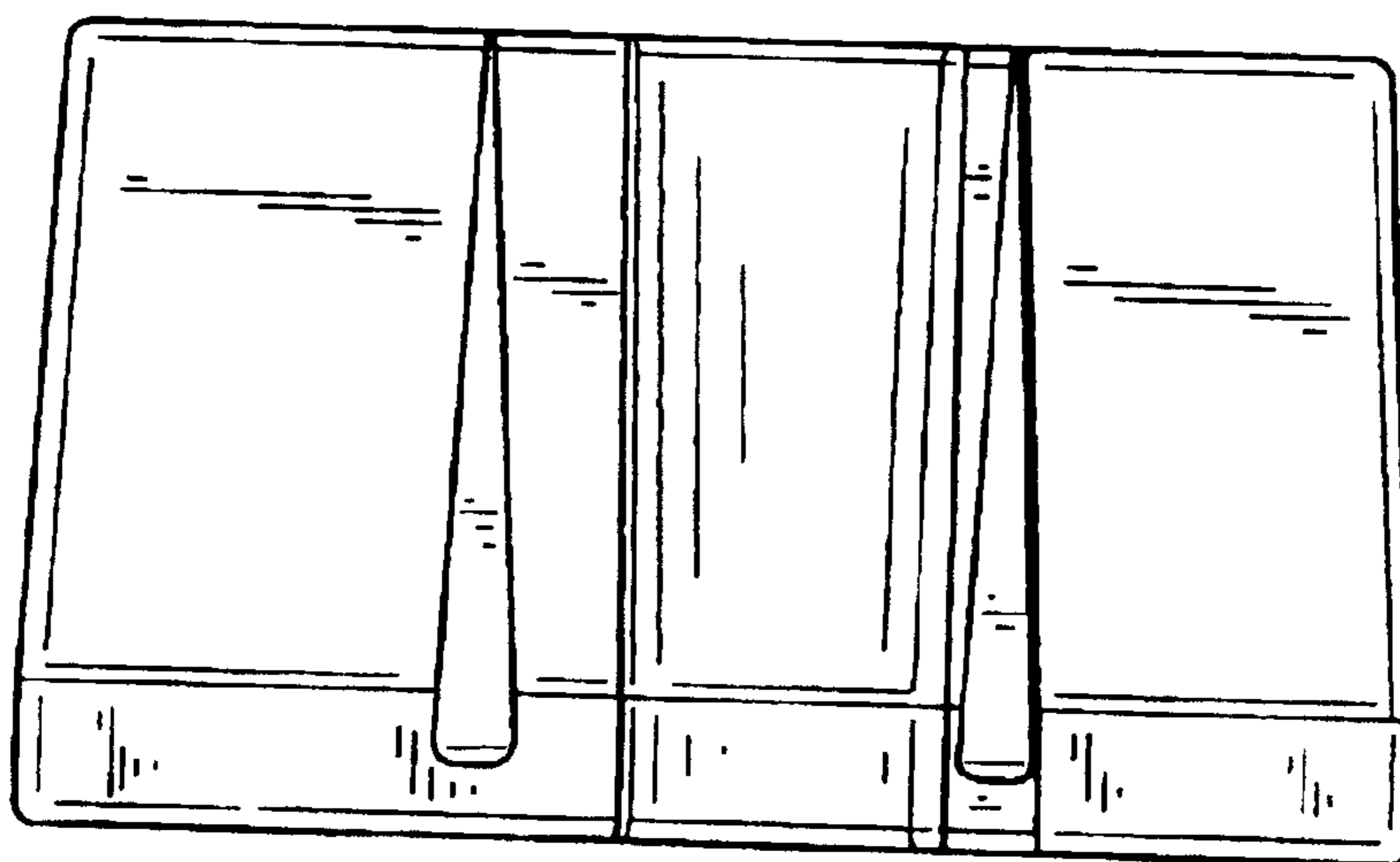


FIG. 4

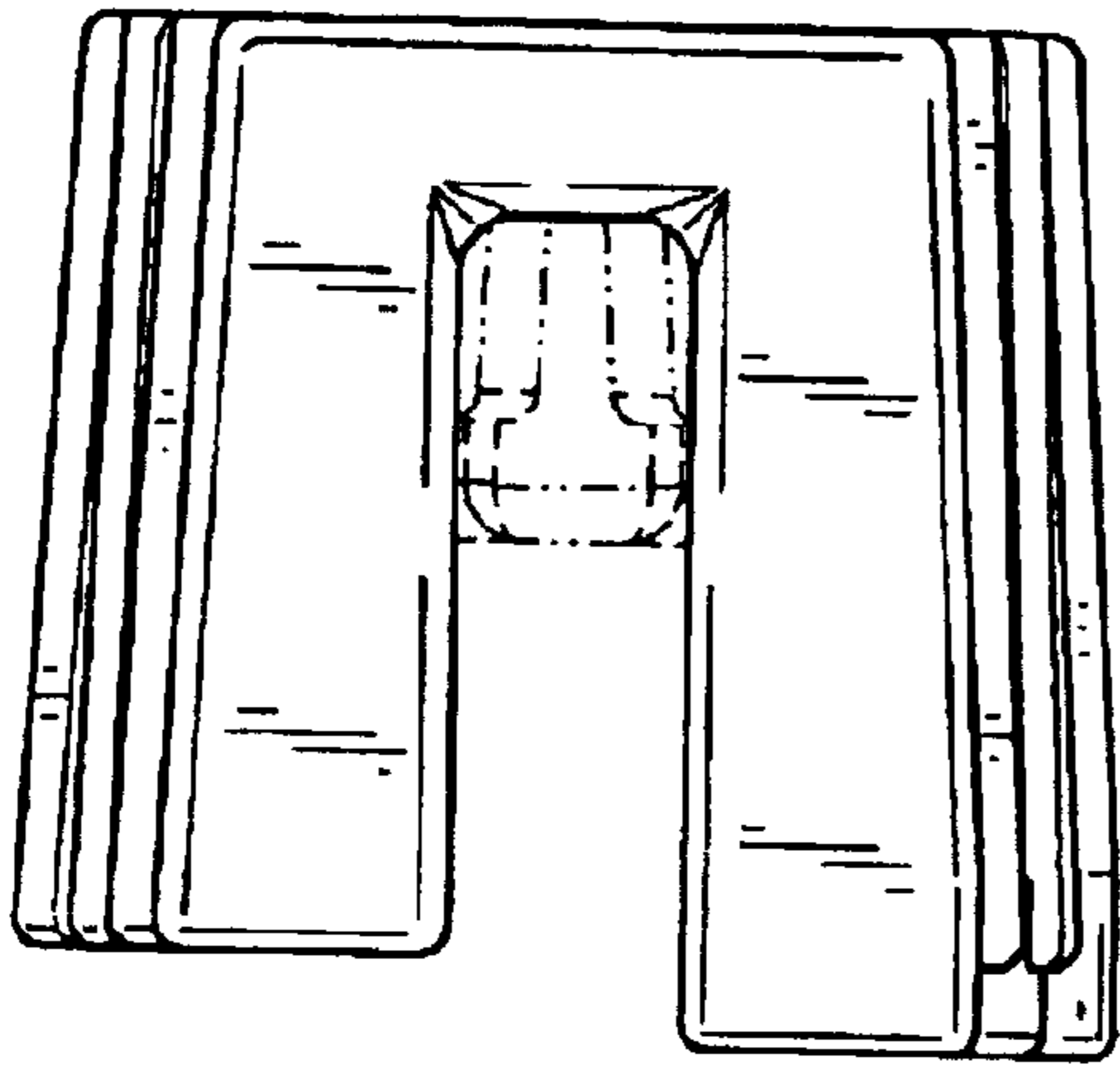


FIG. 5

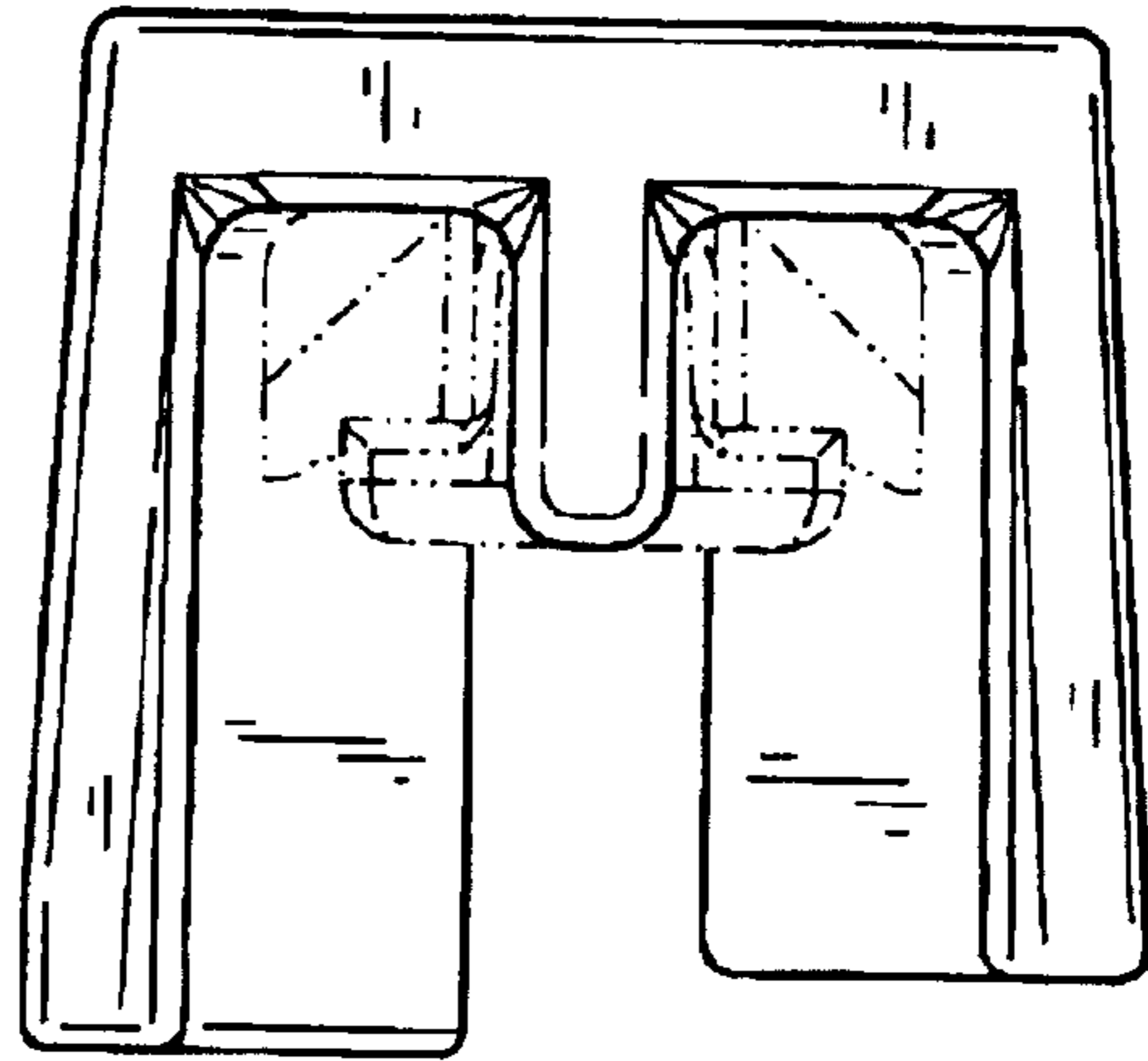


FIG. 6

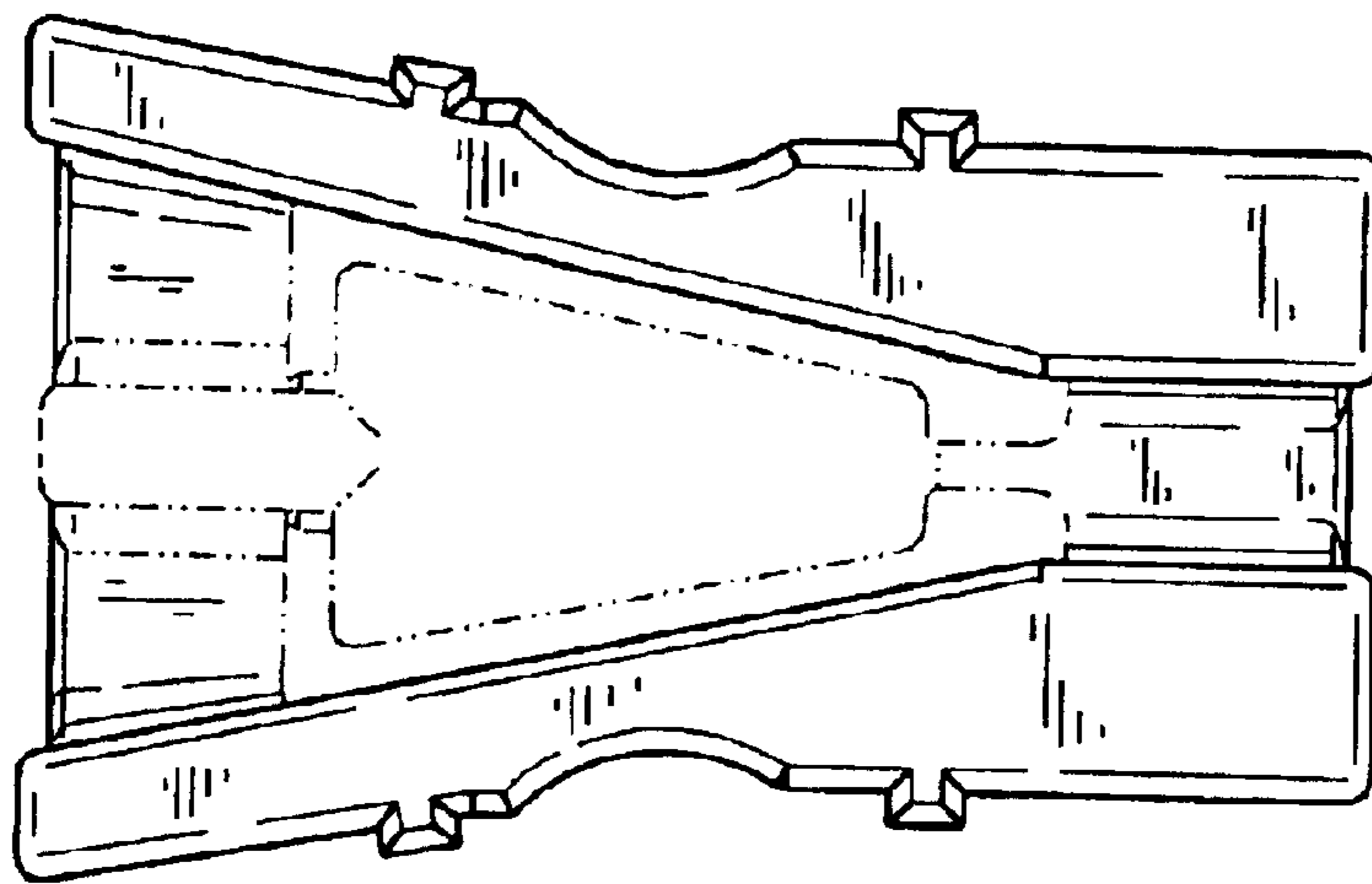


FIG. 7