



US00D512899S

(12) **United States Design Patent** (10) **Patent No.:** **US D512,899 S**
Oskamp et al. (45) **Date of Patent:** **** Dec. 20, 2005**

(54) **LOCK**

(75) Inventors: **Jurgen Oskamp**, Schiplaken (BE);
Yves Peeters, Langdorp (BE); **Ernst Kern Mitchell**, Sterling Heights, MI (US); **Charles W. Moon**, Colorado Springs, CO (US)

(73) Assignee: **Computerized Security Systems**, Troy, MI (US)

(**) Term: **14 Years**

(21) Appl. No.: **29/205,594**

(22) Filed: **May 18, 2004**

(51) **LOC (6) Cl.** **08-07**

(52) **U.S. Cl.** **D8/331**

(58) **Field of Search** D8/330-302, 331, D8/308, 338-345, 332, 333, 32; 70/14, 91, 101, 106, 107, 141, 142, 218-224, 278.6, 278.7, 448, DIG. 67; 292/347, 348, 358, 359, DIG. 30, 68

(56) **References Cited**

U.S. PATENT DOCUMENTS

1,868,580 A * 7/1932 McKinney 70/208
D184,014 S * 12/1958 Kalser D8/338

3,107,113 A * 10/1963 Sconzo 292/228
D208,375 S * 8/1967 Gilbert D8/302
D393,994 S * 5/1998 Hankel et al. D8/302
5,987,945 A * 11/1999 Ruano Aramburu 70/277
6,058,746 A * 5/2000 Mirshafiee et al. 70/107
D433,920 S * 11/2000 Chang D8/331
D466,788 S * 12/2002 Baskauskas et al. D8/302
6,733,050 B1 * 5/2004 Yao 292/169
6,758,070 B2 * 7/2004 Yu et al. 70/107

* cited by examiner

Primary Examiner—Prabhakar Deshmukh

(74) *Attorney, Agent, or Firm*—Carlson, Gaskey & Olds

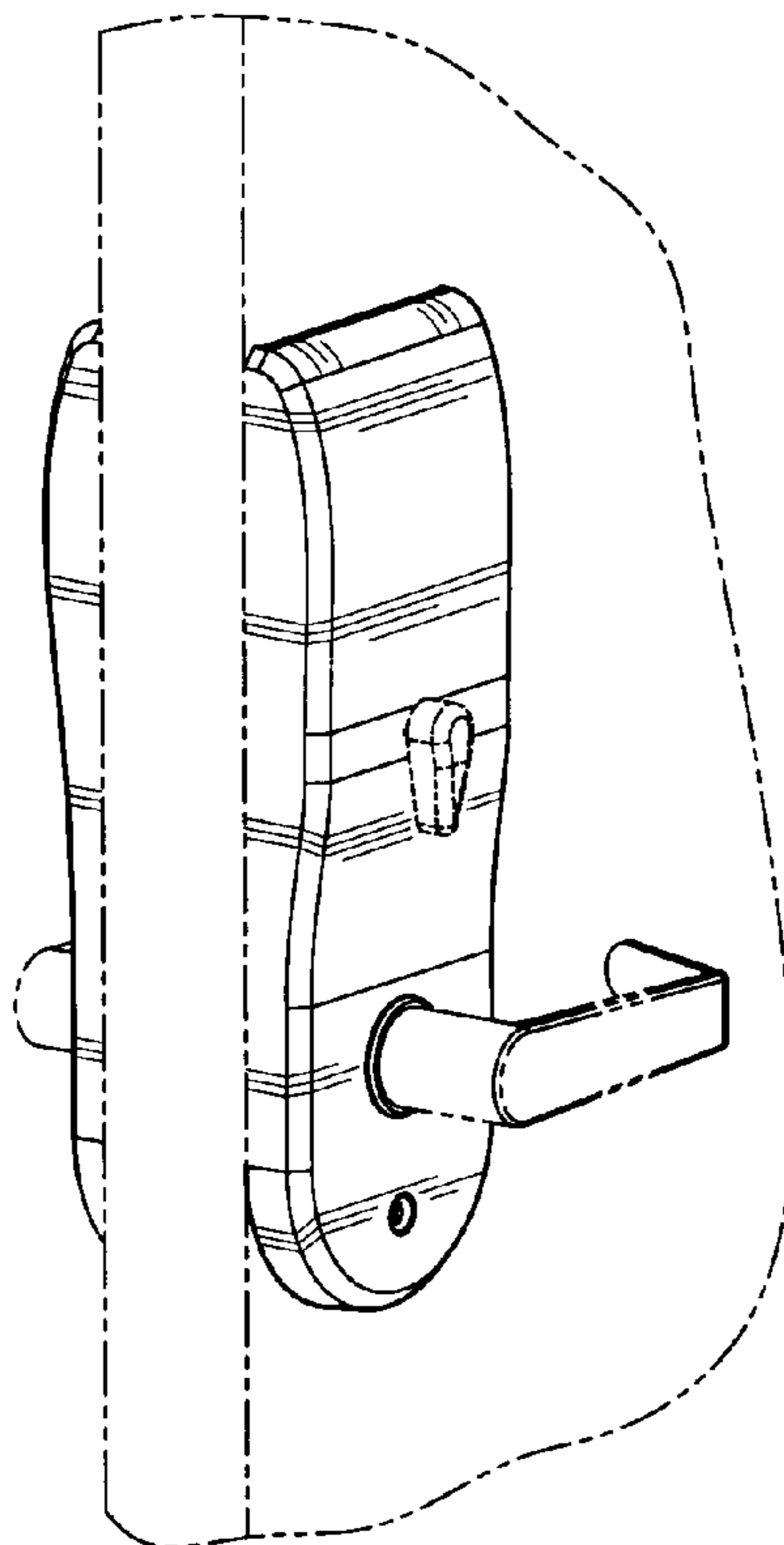
(57) **CLAIM**

The ornamental design for a lock, as shown and described.

DESCRIPTION

FIG. 1 is a first perspective view of the invention.
FIG. 2 is a second perspective view of the invention.
FIG. 3 is a side view of the invention.
FIG. 4 is a first plan view of the invention.
FIG. 5 is a second plan view of the invention.
FIG. 6 is a first end view of the invention; and,
FIG. 7 is a second end view of the invention.
The broken lines are for illustrative purpose only and form no part of the claimed design.

1 Claim, 4 Drawing Sheets



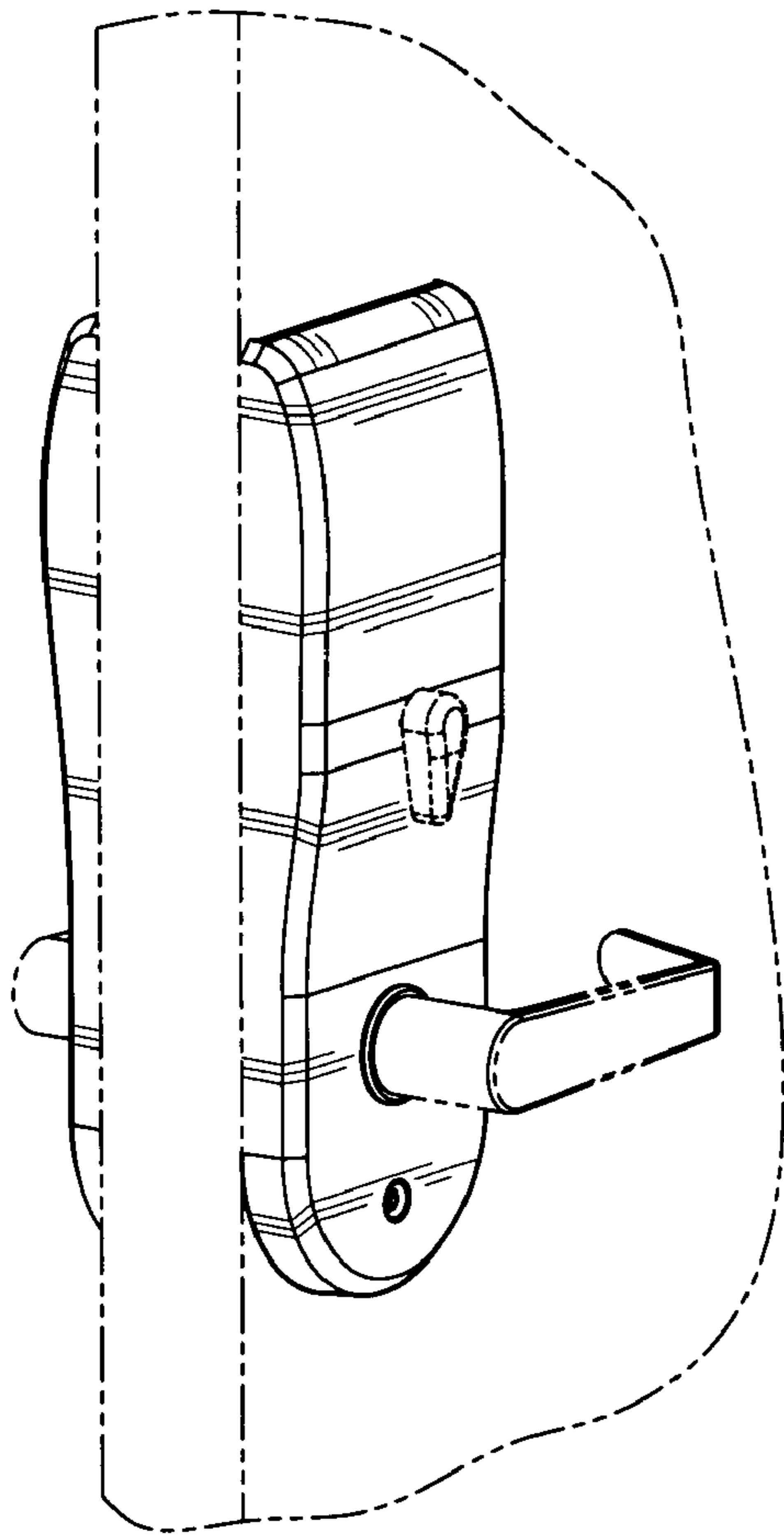


Fig-1

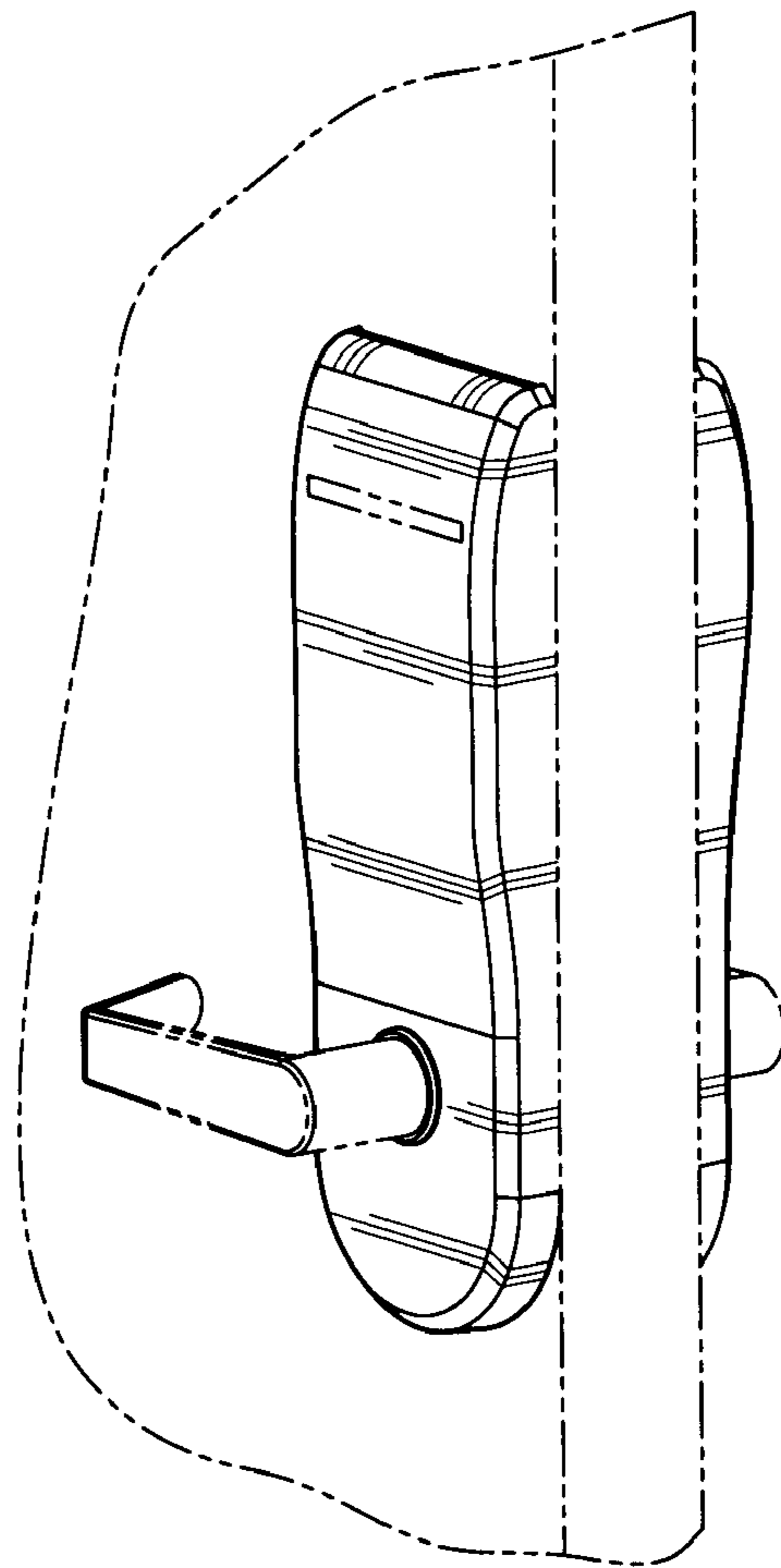


Fig-2

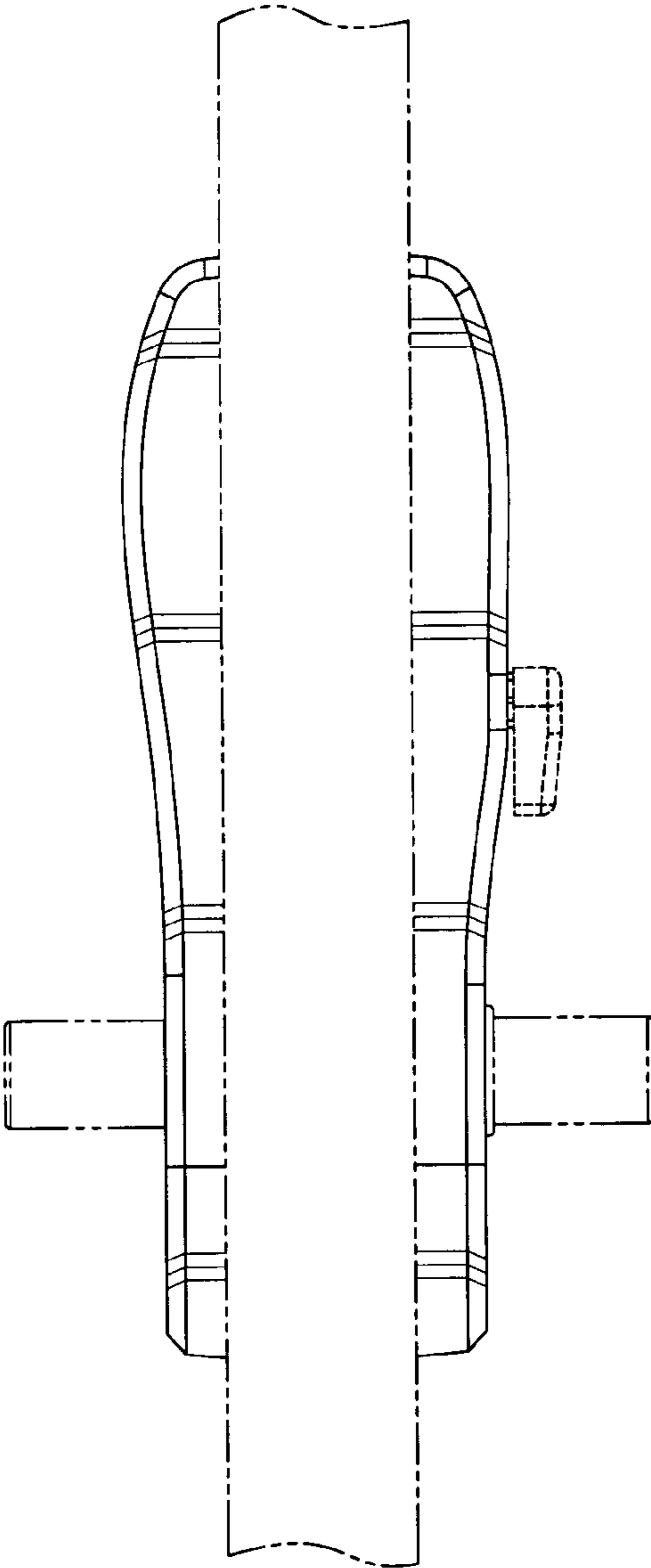


Fig-3

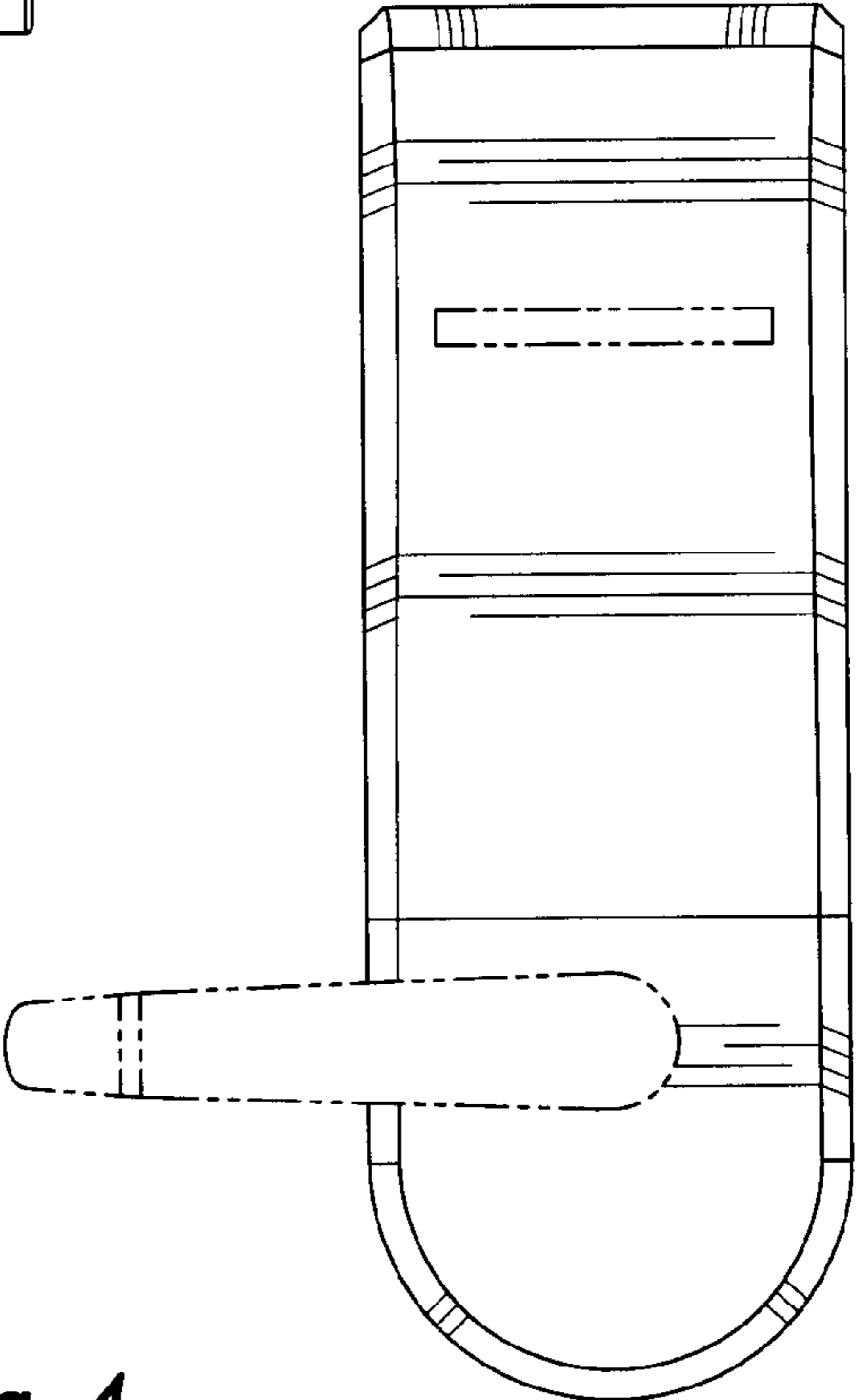


Fig-4

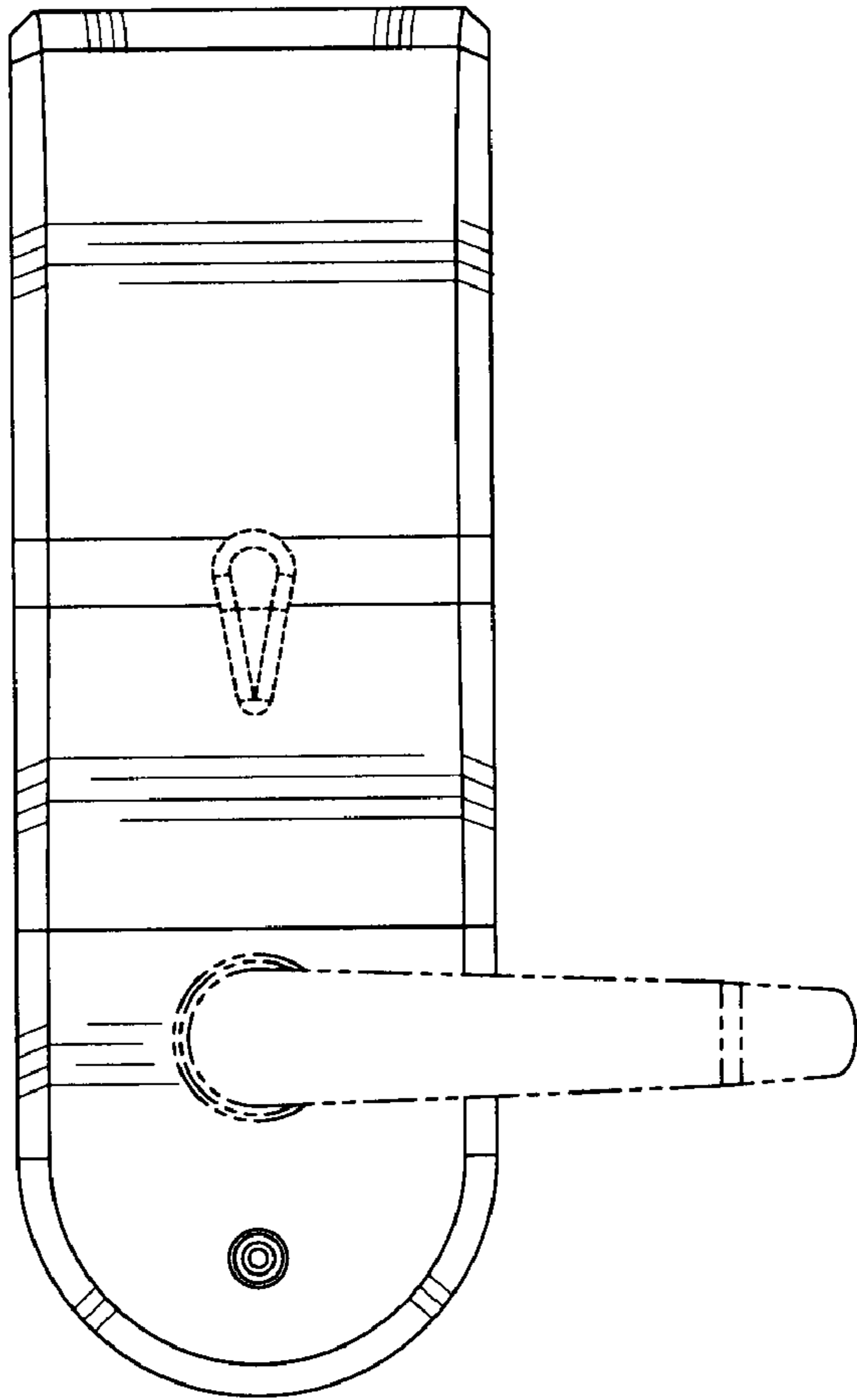


Fig-5

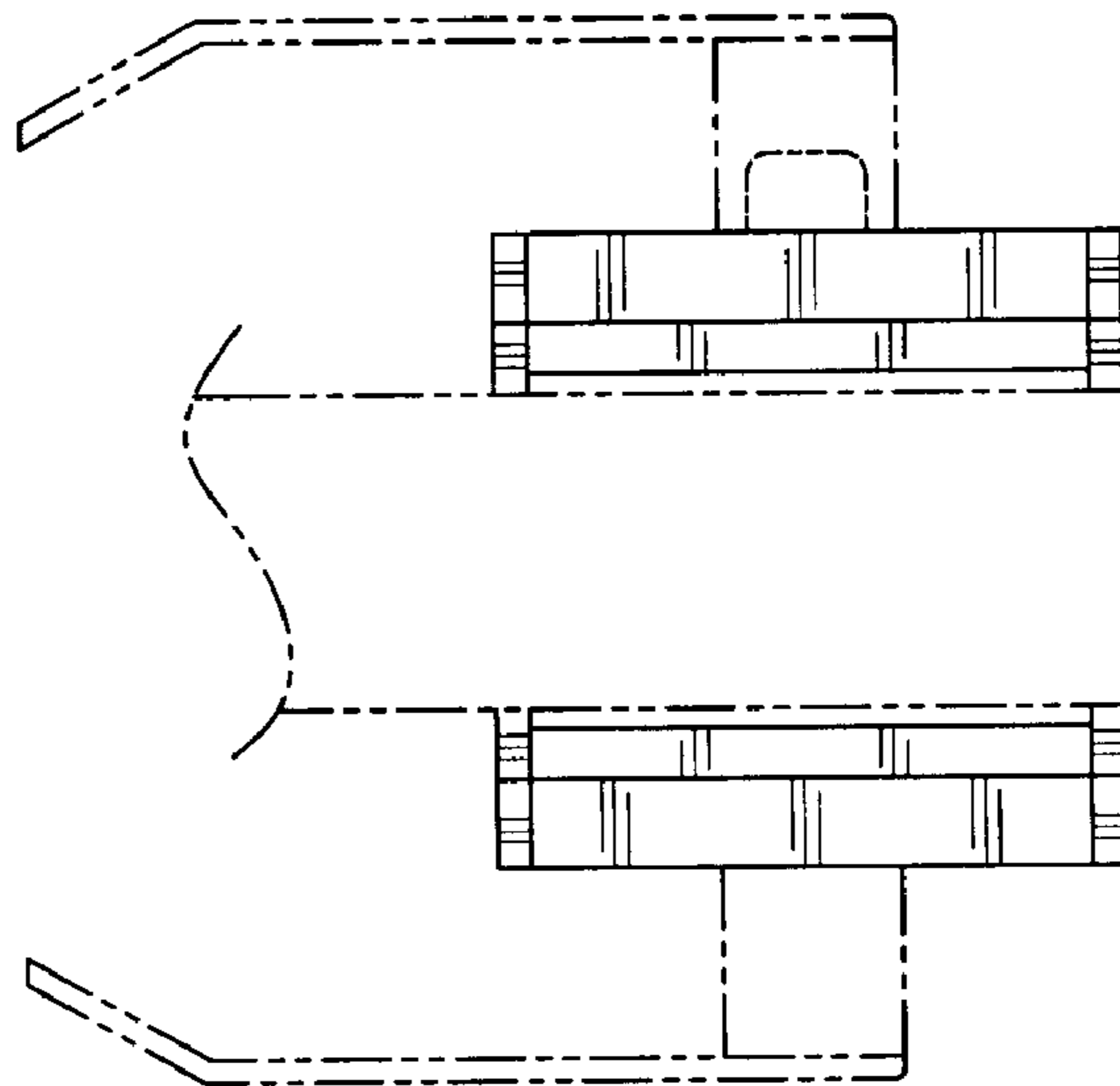


Fig-6

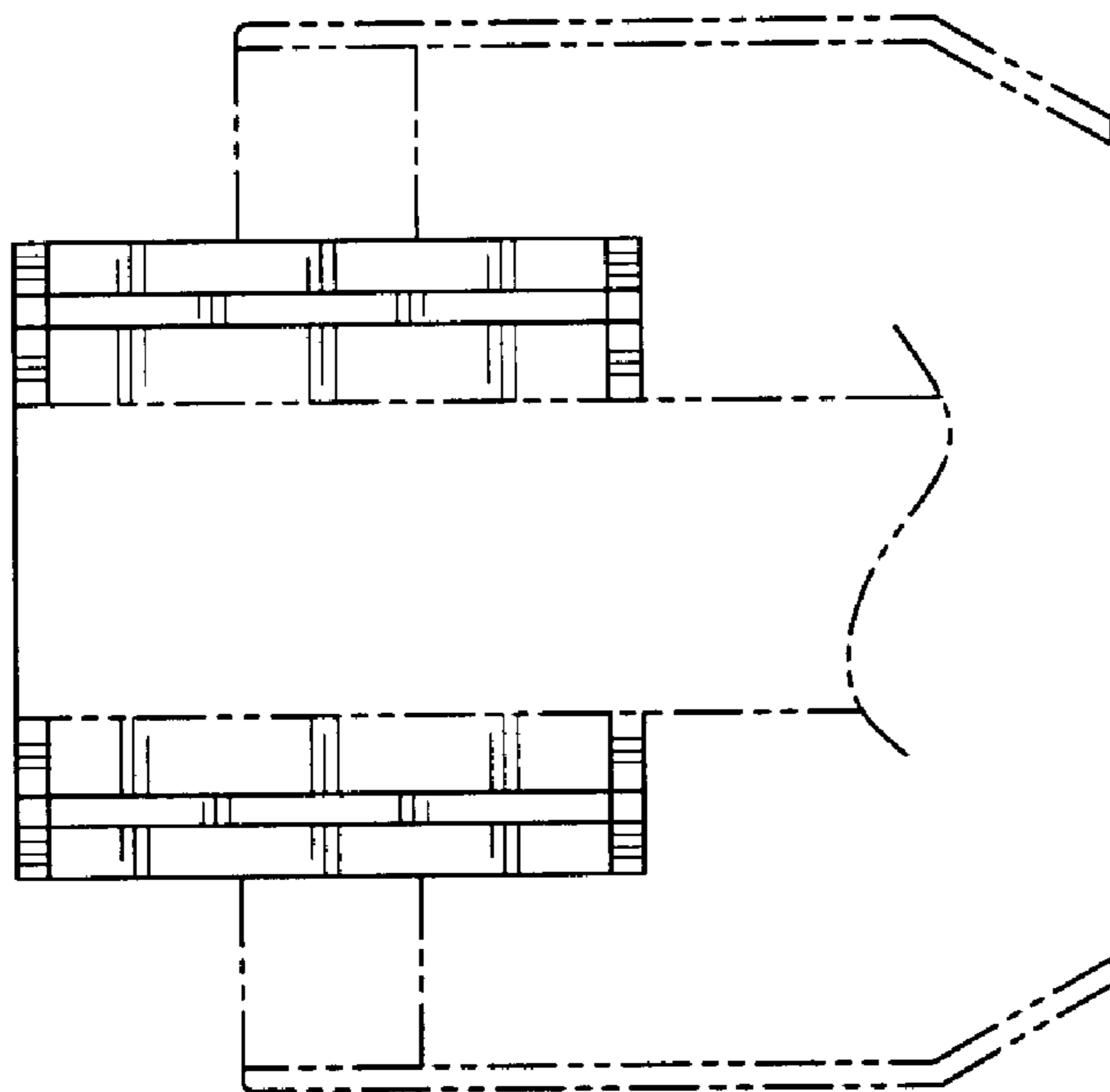


Fig-7