



US00D512897S

(12) **United States Design Patent** (10) **Patent No.:** **US D512,897 S**
Franchini (45) **Date of Patent:** **** Dec. 20, 2005**

- (54) **OFFSET LIFE OFF HINGE**
- (75) Inventor: **Gian Carlo Franchini**, Correggio (IT)
- (73) Assignee: **Elesa S.p.A.**, Milan (IT)
- (**) Term: **14 Years**
- (21) Appl. No.: **29/223,772**
- (22) Filed: **Feb. 18, 2005**

D339,052 S	9/1993	Bisbing	D8/323
D339,518 S	9/1993	Bisbing	D8/323
D348,823 S	7/1994	Bisbing	D8/323
D425,774 S	5/2000	Ford et al.	D8/323
6,178,598 B1	1/2001	Creely et al.	16/342
D447,679 S	9/2001	Parisi	D8/323
2005/0028321 A1 *	2/2005	Rude	16/277
2005/0097707 A1 *	5/2005	Ibaraki et al.	16/342

Related U.S. Application Data

- (62) Division of application No. 29/203,620, filed on Apr. 16, 2004.

Foreign Application Priority Data

Oct. 20, 2003 (EM) 000089669

- (51) **LOC (6) Cl.** **08-06**
- (52) **U.S. Cl.** **D8/323**
- (58) **Field of Search** D8/323, 324, 325, D8/326, 327, 328, 329, 349, 354, 356; 16/234-237, 239, 241, 245-246, 249, 254, 261-262, 265, 272, 277, 307, 319, 335, 339, 342, 379, 381-383, 384, 385, 386, 387, 388, 389, 321, DIG. 13, DIG. 40, DIG. 43; 4/236, 237, 238, 239, 240; D23/303; 248/200, 221.11, 300, 309.1, 317; D7/334, 337, 402

(56) **References Cited**

U.S. PATENT DOCUMENTS

D103,905 S	3/1937	Welch	D8/323
D299,485 S	1/1989	Takashi	D8/323
D303,491 S	9/1989	Bisbing	D8/323
D303,492 S	9/1989	Bisbing	D8/323
4,937,916 A	7/1990	Redman	16/389

OTHER PUBLICATIONS

Edge mounted commercial refrigerator hinges, p. 2, National Lock.

* cited by examiner

Primary Examiner—Gary D. Watson
Assistant Examiner—T. Chase Nelson

(74) *Attorney, Agent, or Firm*—Pearne & Gordon LLP

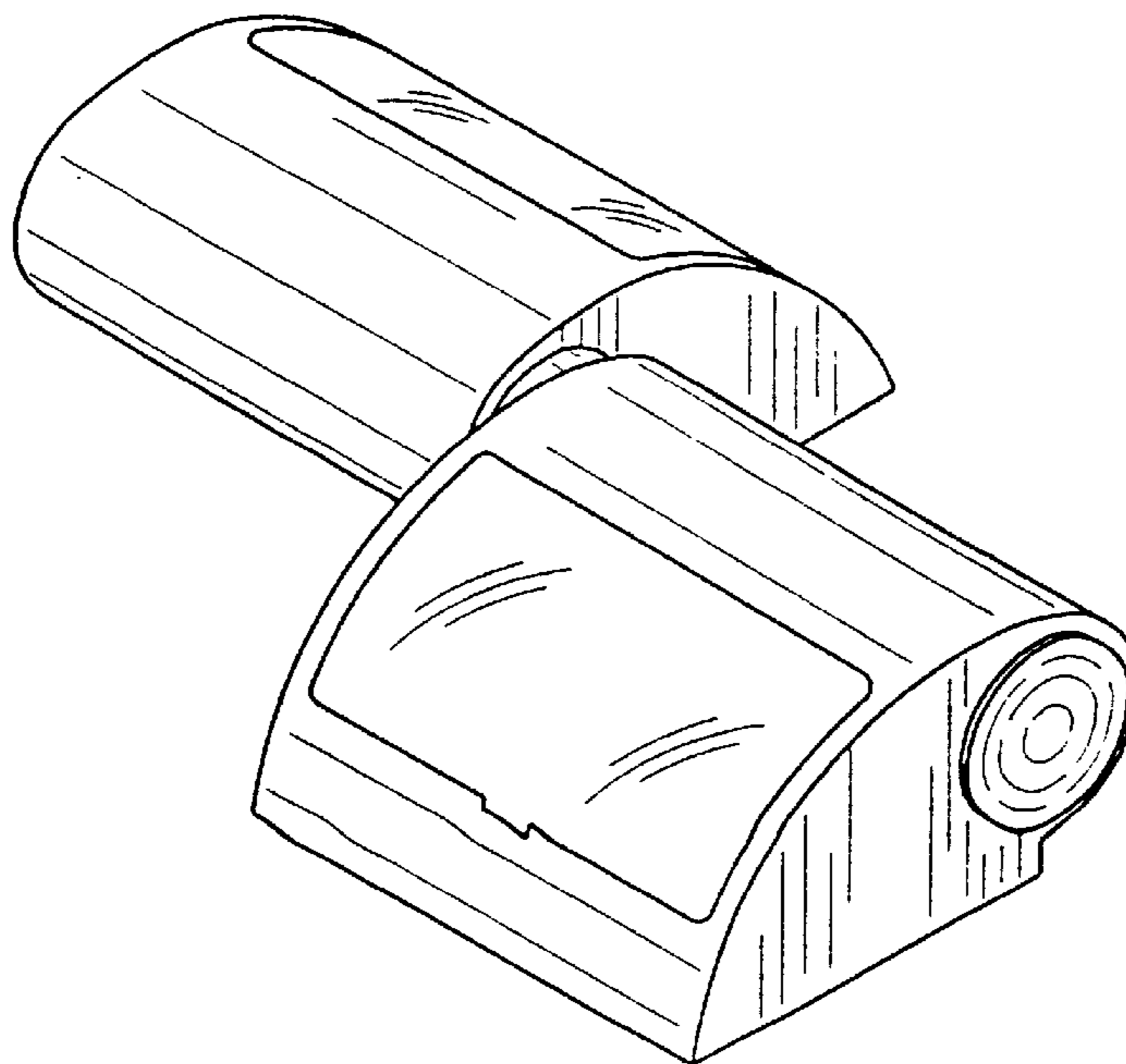
(57) **CLAIM**

The ornamental design for an offset life off hinge, as shown and described.

DESCRIPTION

FIG. 1 is a perspective view of my new design for an offset lift off hinge;
 FIG. 2 is an exploded view thereof embraced by a bracket, forming no part of the claimed design, but indicating the relationship and order of the separated parts;
 FIG. 3 is a top view of FIG. 1;
 FIG. 4 is a front view of FIG. 1, a back view being the same; and,
 FIG. 5 is a left side view of FIG. 1, a right side view being the same.
 The bottom surfaces of the offset lift off hinge form no part of the claimed design.

1 Claim, 2 Drawing Sheets



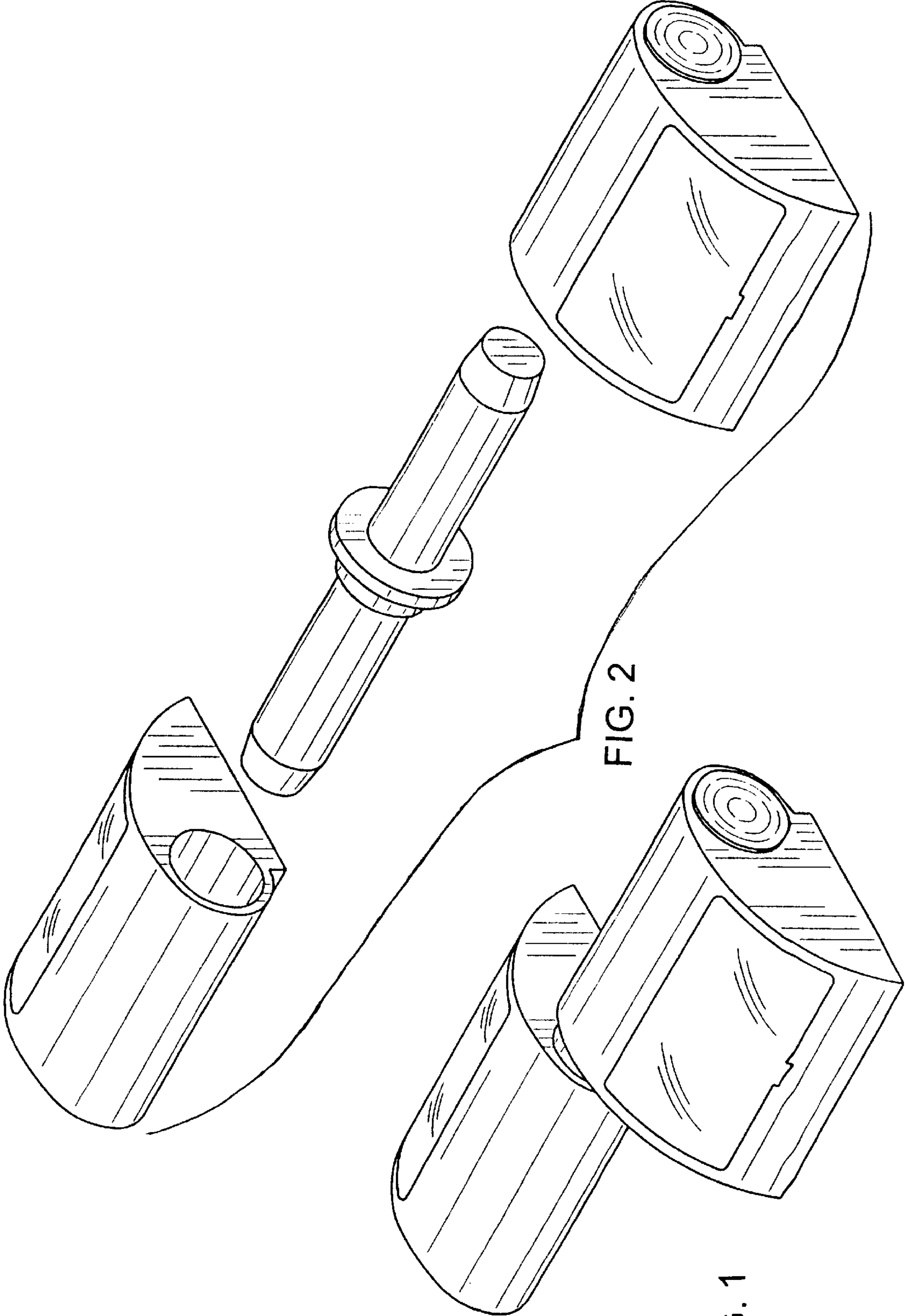


FIG. 1

FIG. 2

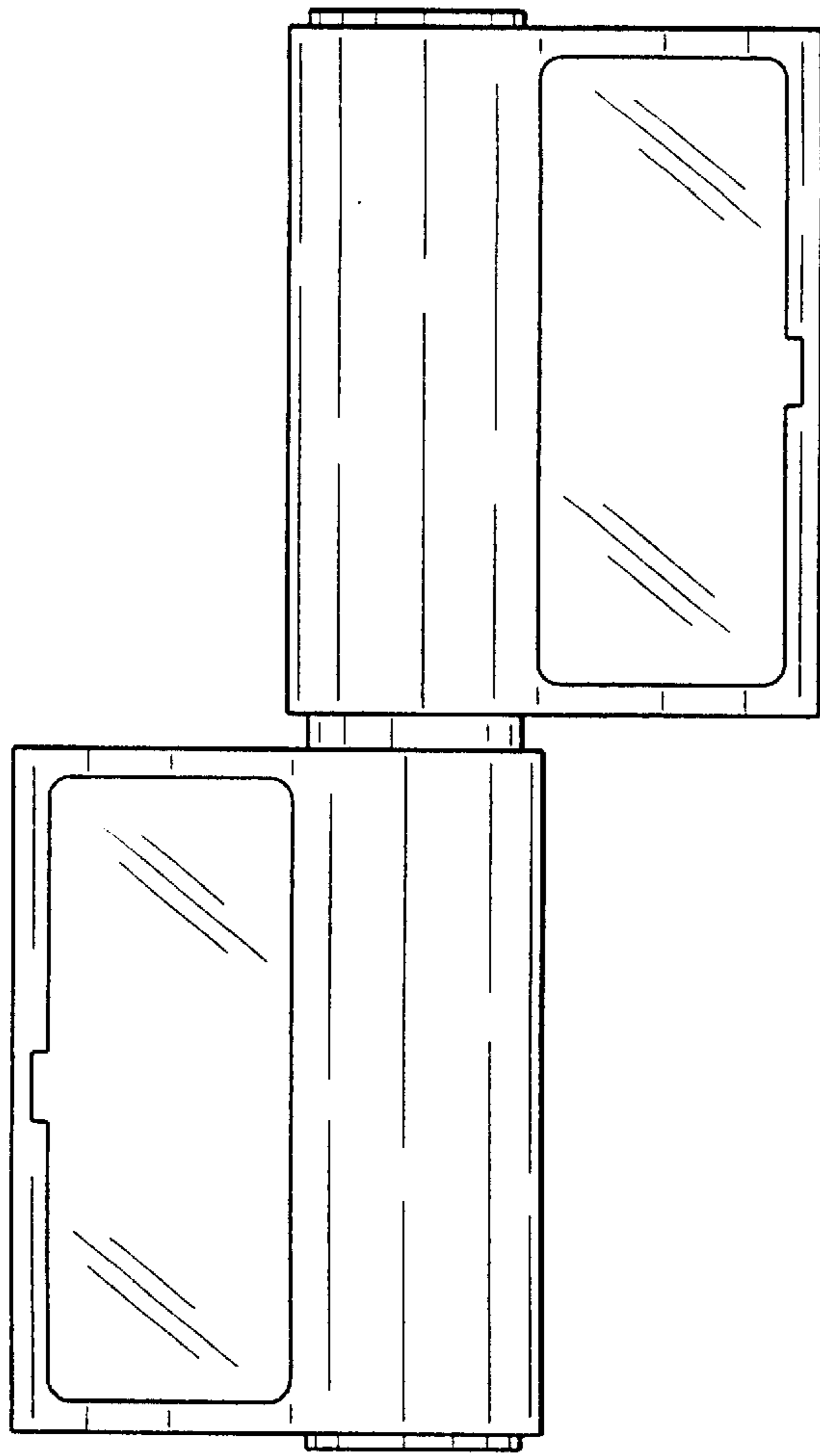


FIG. 3

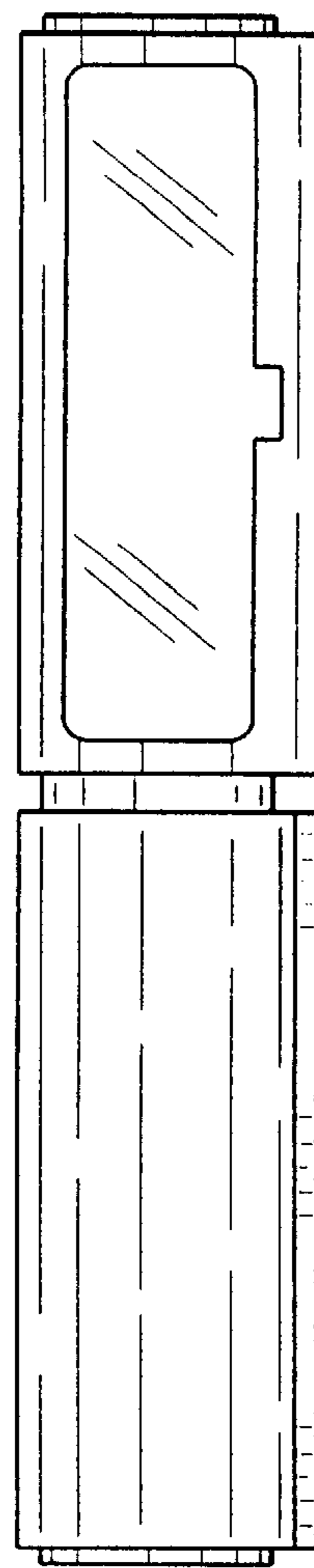


FIG. 4

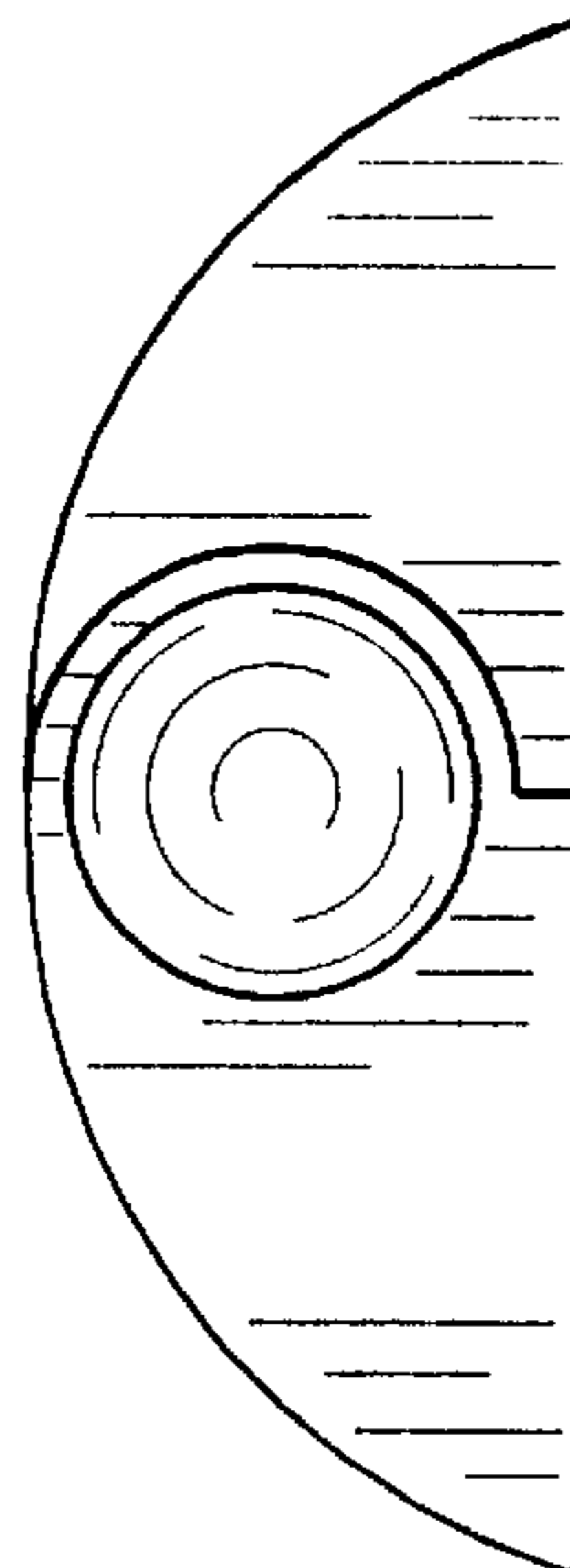


FIG. 5