



US00D512896S

(12) **United States Design Patent** (10) **Patent No.:** **US D512,896 S**
Gilbert (45) **Date of Patent:** **** Dec. 20, 2005**

(54) **HANDLE**

(75) Inventor: **Christopher Jon Gilbert**, Moreland Hills, OH (US)

(73) Assignee: **Moen Incorporated**, North Olmsted, OH (US)

(**) Term: **14 Years**

(21) Appl. No.: **29/201,528**

(22) Filed: **Mar. 17, 2004**

(51) **LOC (6) Cl.** **08-06**

(52) **U.S. Cl.** **D8/318; D23/252**

(58) **Field of Search** D8/300, 301, 302–311, D8/107, 158, DIG. 2, DIG. 3, 313–323, 330–338; D6/522, 546; D23/250–257, 238, 242, 262, 212; 292/347; 16/436, 110.1, 903; 4/234, 246.1, 248

(56) **References Cited**

U.S. PATENT DOCUMENTS

D280,009 S	8/1985	Miller et al.	
D285,106 S	8/1986	Yost	
D287,163 S	12/1986	Piesco	
D290,738 S	7/1987	Hill et al.	
D300,719 S	* 4/1989	Rhoades et al.	D8/308
D302,849 S	8/1989	Kohler, Jr. et al.	
D329,009 S	* 9/1992	Marques	D8/308
D345,901 S	* 4/1994	Fojtasek et al.	D8/308
D357,305 S	4/1995	Fabian	
D365,384 S	12/1995	Robbins	
D378,231 S	2/1997	Dubin	
D385,620 S	10/1997	Hundley et al.	
D385,954 S	11/1997	Hundley et al.	
D385,955 S	* 11/1997	Hundley et al.	D23/252
D391,342 S	2/1998	Donahue et al.	
D398,376 S	* 9/1998	Hundley et al.	D23/252
D398,377 S	* 9/1998	Hundley et al.	D23/252
D406,321 S	* 3/1999	Hundley et al.	D23/252
D429,521 S	8/2000	Doughty et al.	
D433,736 S	11/2000	Lord	
D434,120 S	11/2000	Lord	
D443,918 S	6/2001	Lord	

D444,853 S	7/2001	Lord
D444,854 S	7/2001	Lord
D459,791 S	7/2002	Yegyayan
D460,807 S	7/2002	Singtoroj
D465,832 S	11/2002	Singtoroj
D466,986 S	12/2002	Singtoroj et al.
D467,646 S	12/2002	Panis et al.
D479,311 S	9/2003	Veltz

OTHER PUBLICATIONS

Kitchen and Bath Sourcebook, 1996–97, p. C 581.*

* cited by examiner

Primary Examiner—Prabhakar Deshmukh

Assistant Examiner—Jean E. McCormick

(74) *Attorney, Agent, or Firm*—Calfee, Halter & Griswold LLP

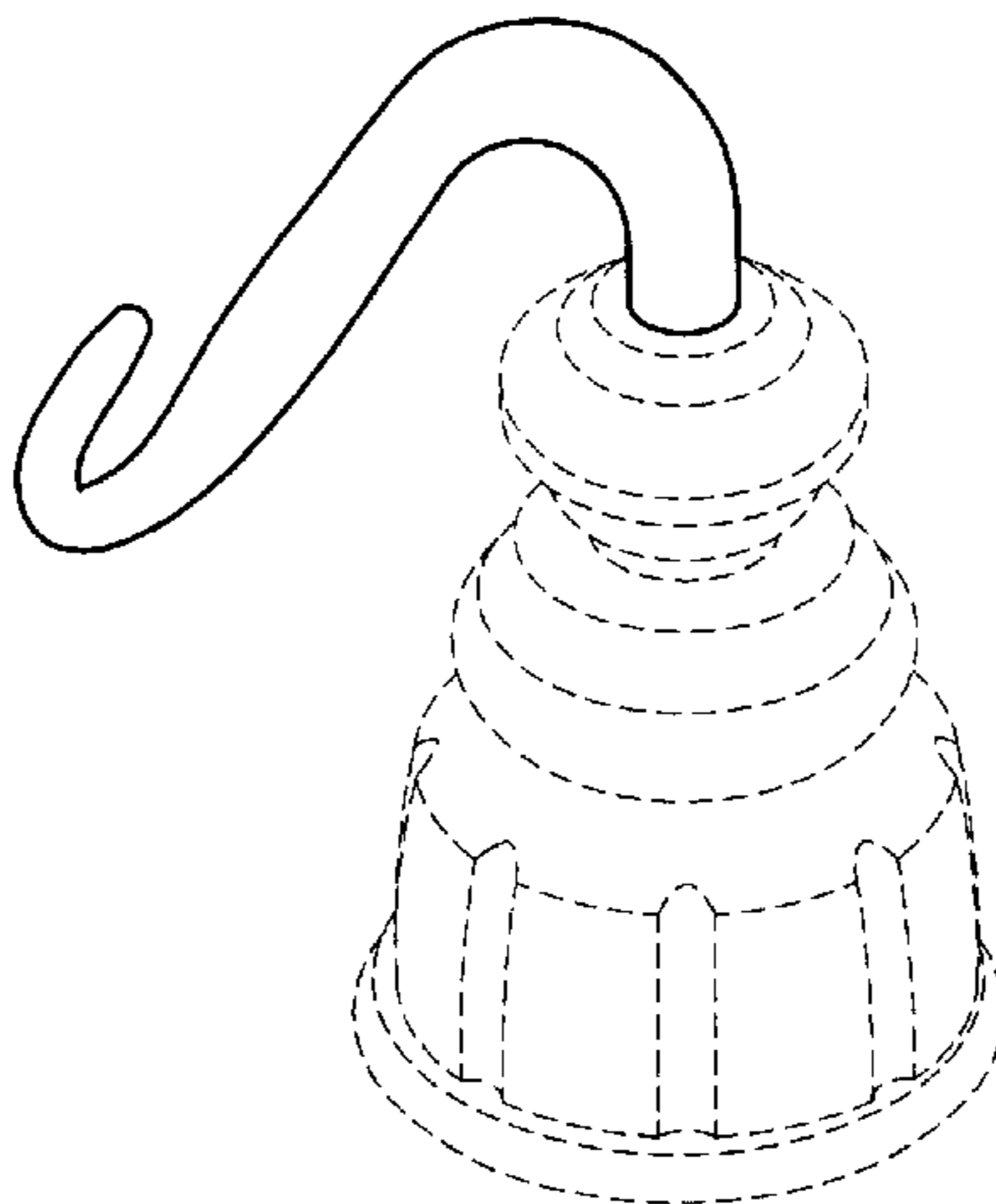
(57) **CLAIM**

The ornamental design for a handle, as shown and described.

DESCRIPTION

FIG. 1 is a perspective view of a handle of the new design; FIG. 2 is a back view of the handle of FIG. 1; FIG. 3 is a front elevational view of the handle of FIG. 1; FIG. 4 is a top view of the handle of FIG. 1; FIG. 5 is a right elevational view of the handle of FIG. 1; FIG. 6 is a rear elevational view of the handle of FIG. 1; FIG. 7 is a bottom plan view of the handle of FIG. 1; FIG. 8 is a perspective view of a second embodiment of the handle of the new design; FIG. 9 is a left side elevational view of the handle of FIG. 8; FIG. 10 is a front elevational view of the handle of FIG. 8; FIG. 11 is a top plan view of the handle of FIG. 8; FIG. 12 is a right side elevational view of the handle of FIG. 8; FIG. 13 is a rear elevational view of the handle of FIG. 8; and FIG. 14 is a bottom view of the handle of FIG. 8. The portions of the Figures shown in phantom lines are not part of the claimed design but are for illustration only.

1 Claim, 4 Drawing Sheets



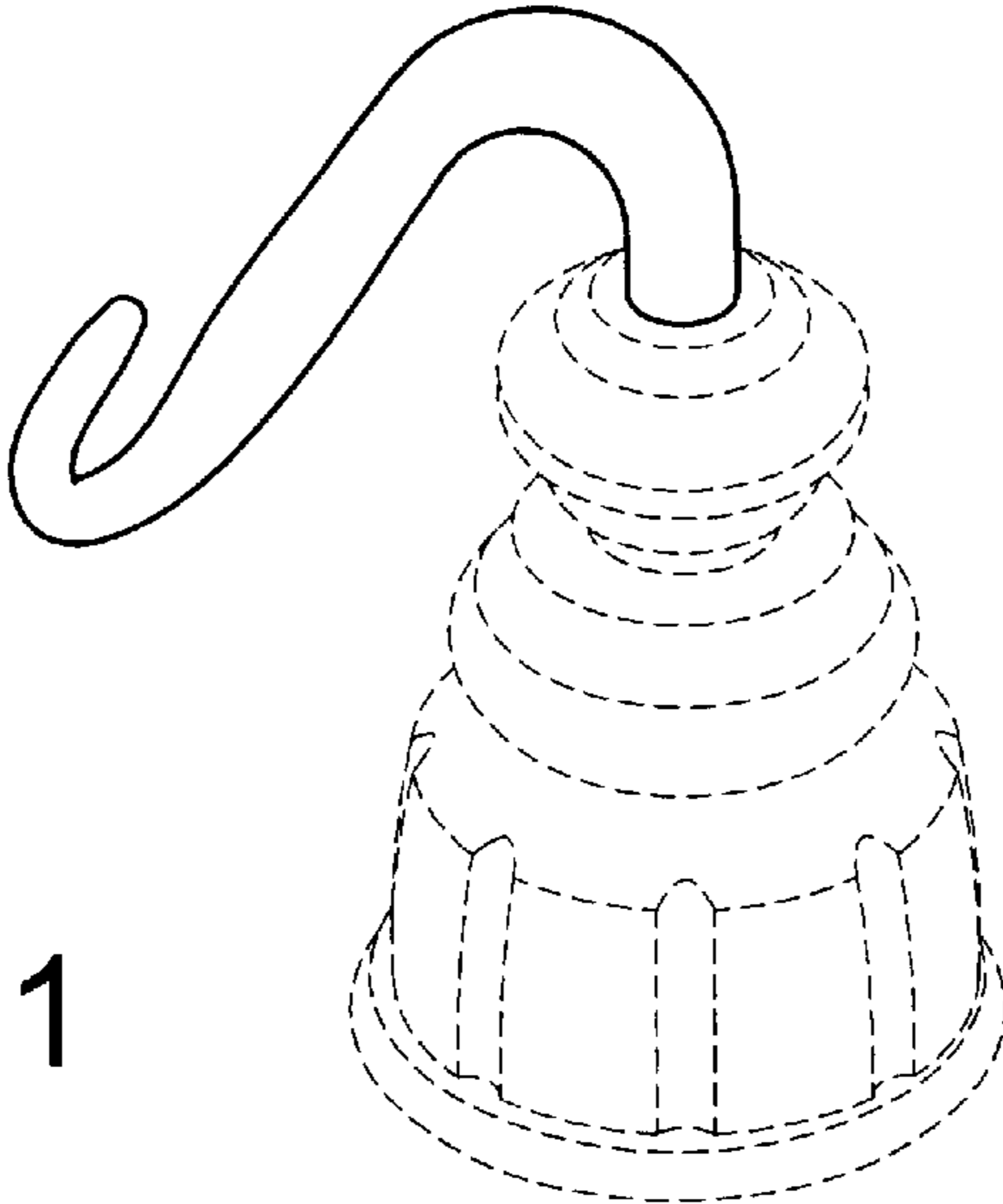


FIG. 1

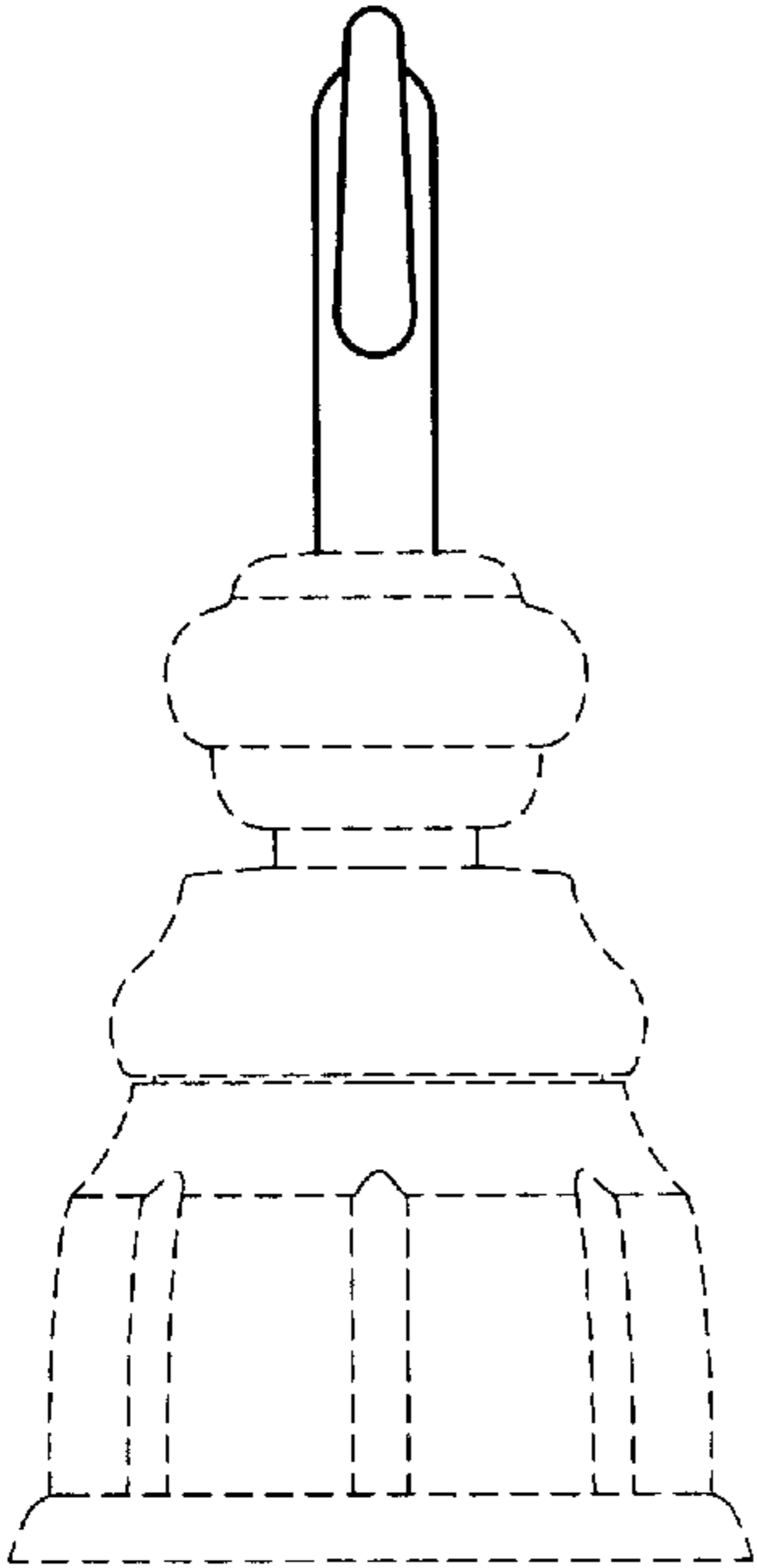


FIG. 2

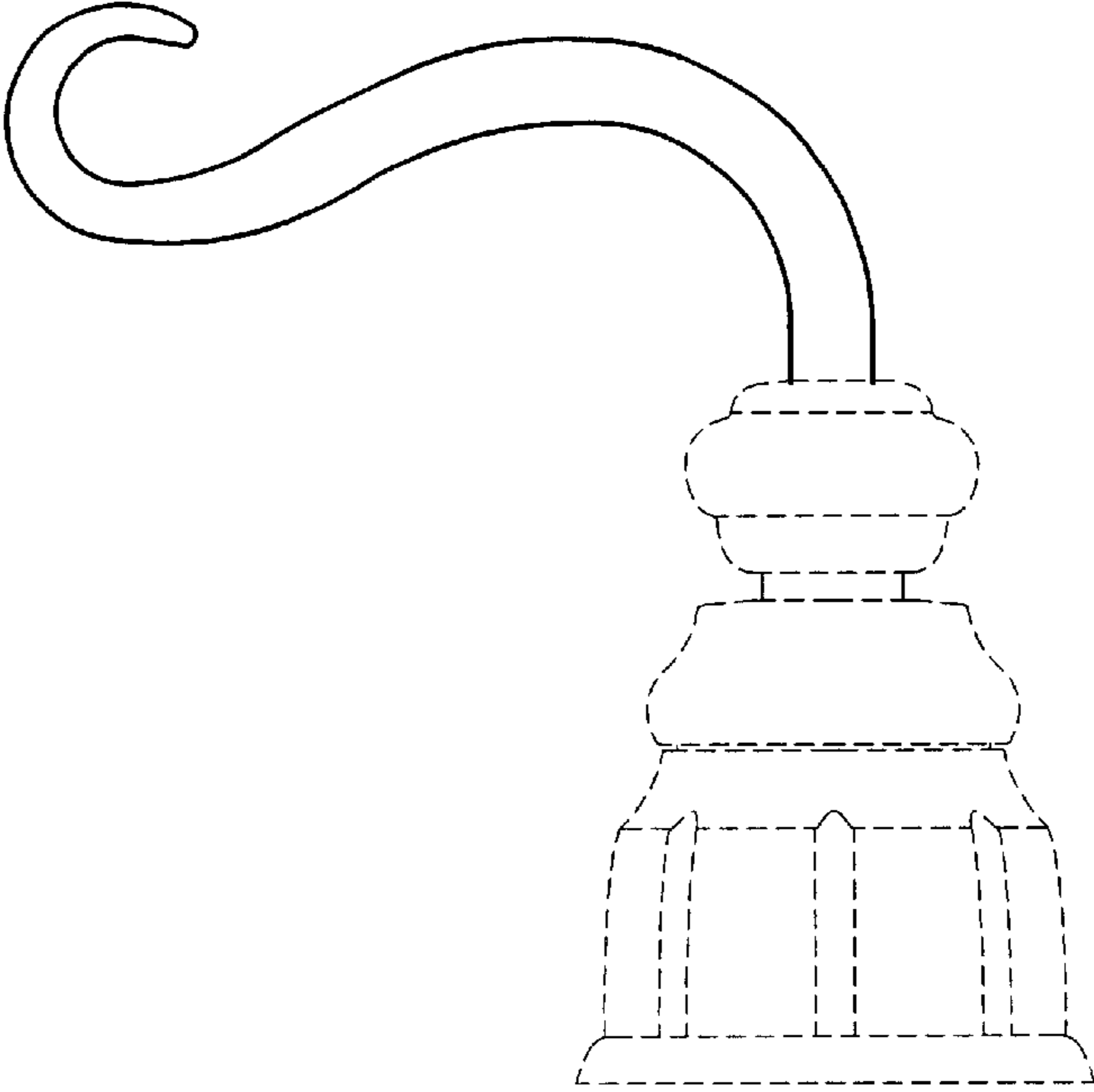


FIG. 3

FIG. 4

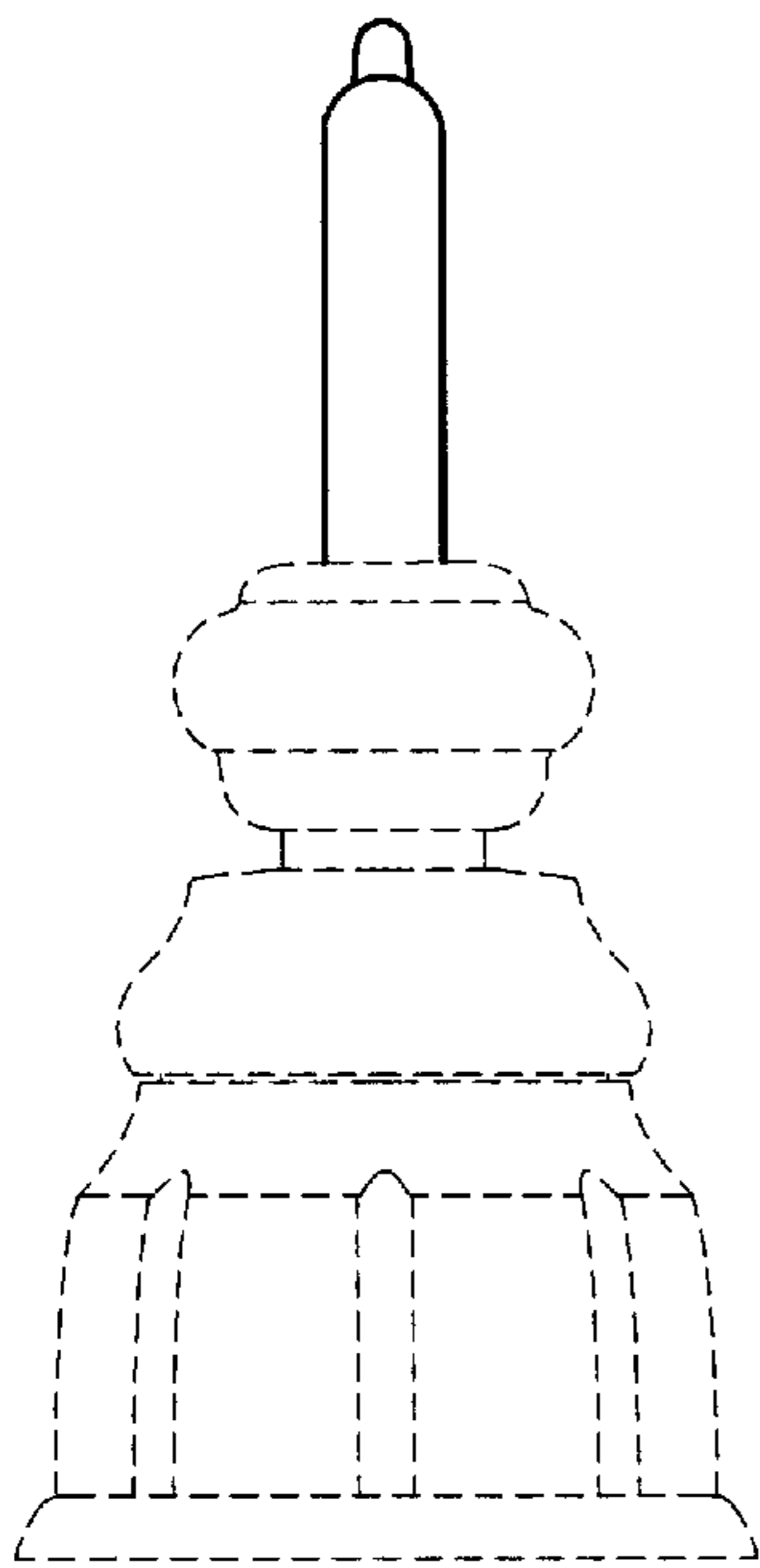
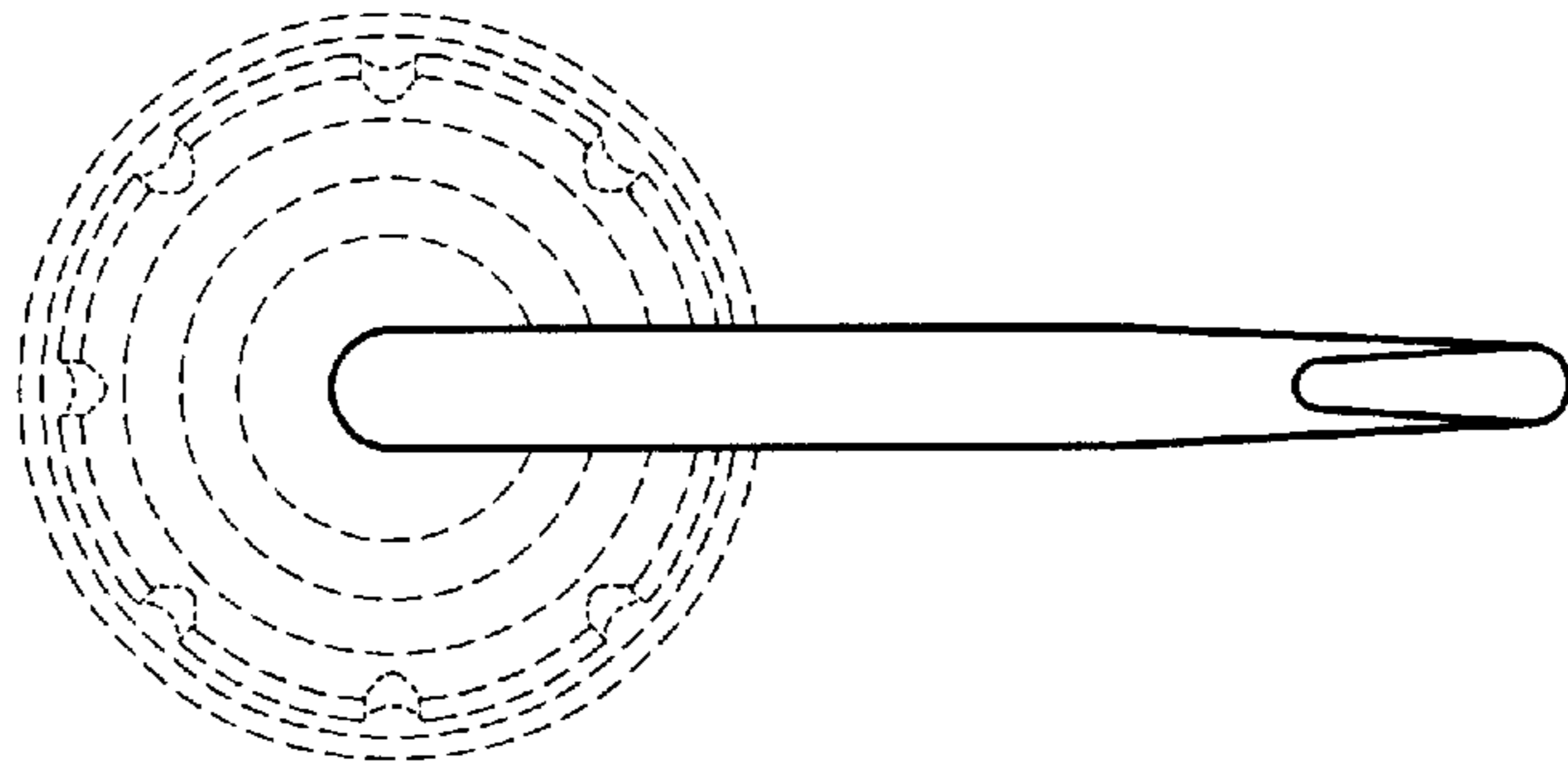


FIG. 5

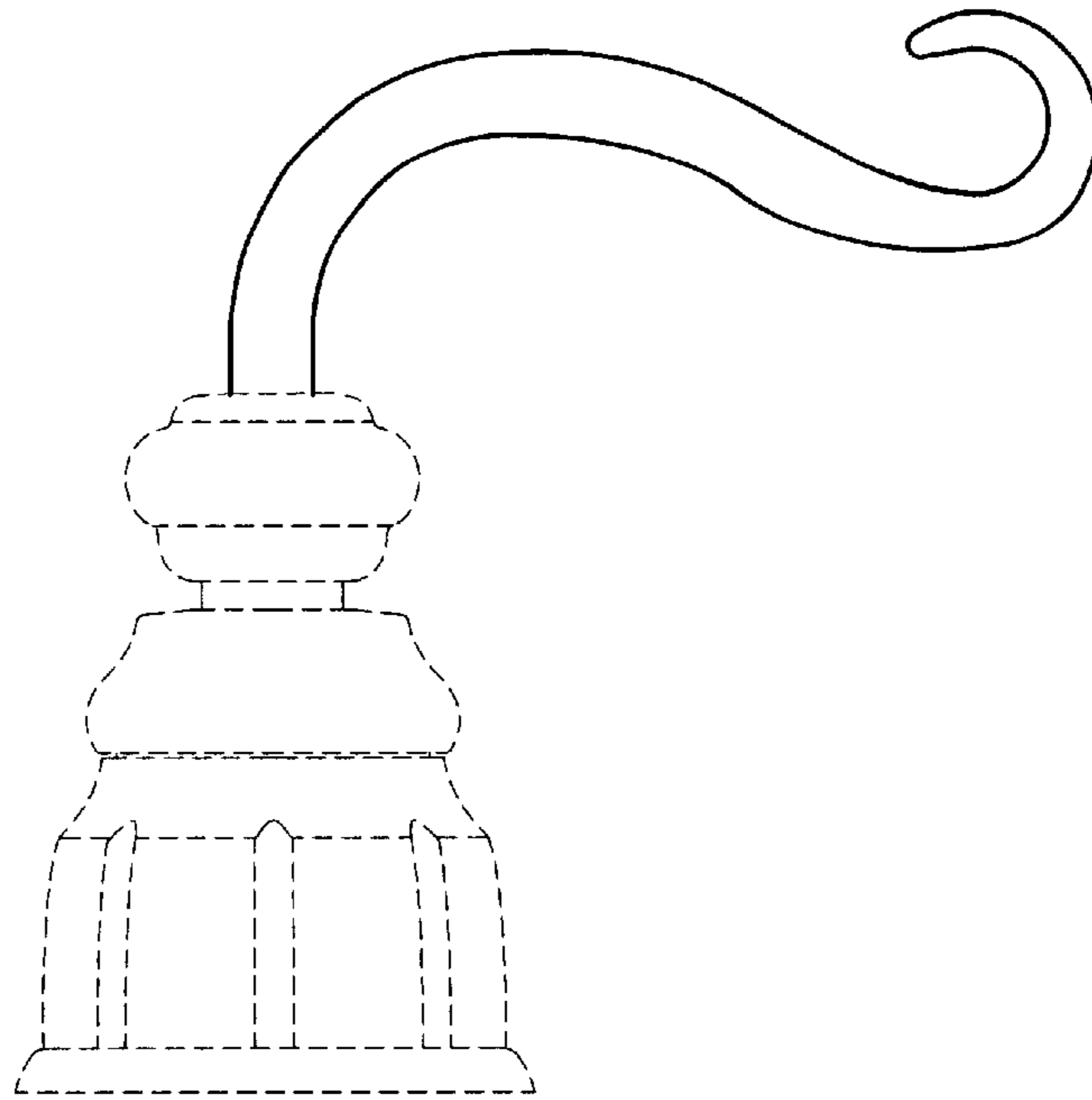
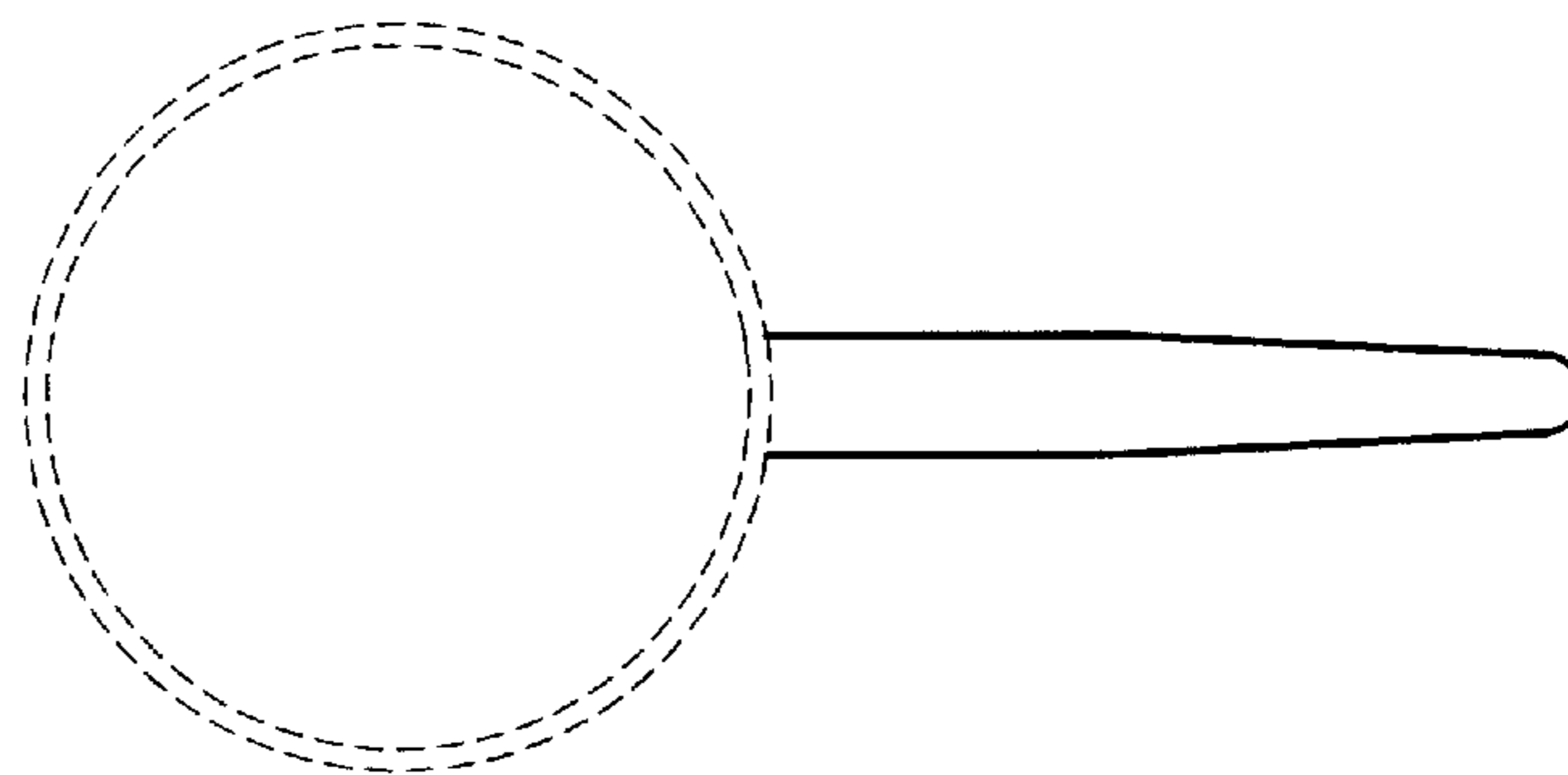


FIG. 6

FIG. 7



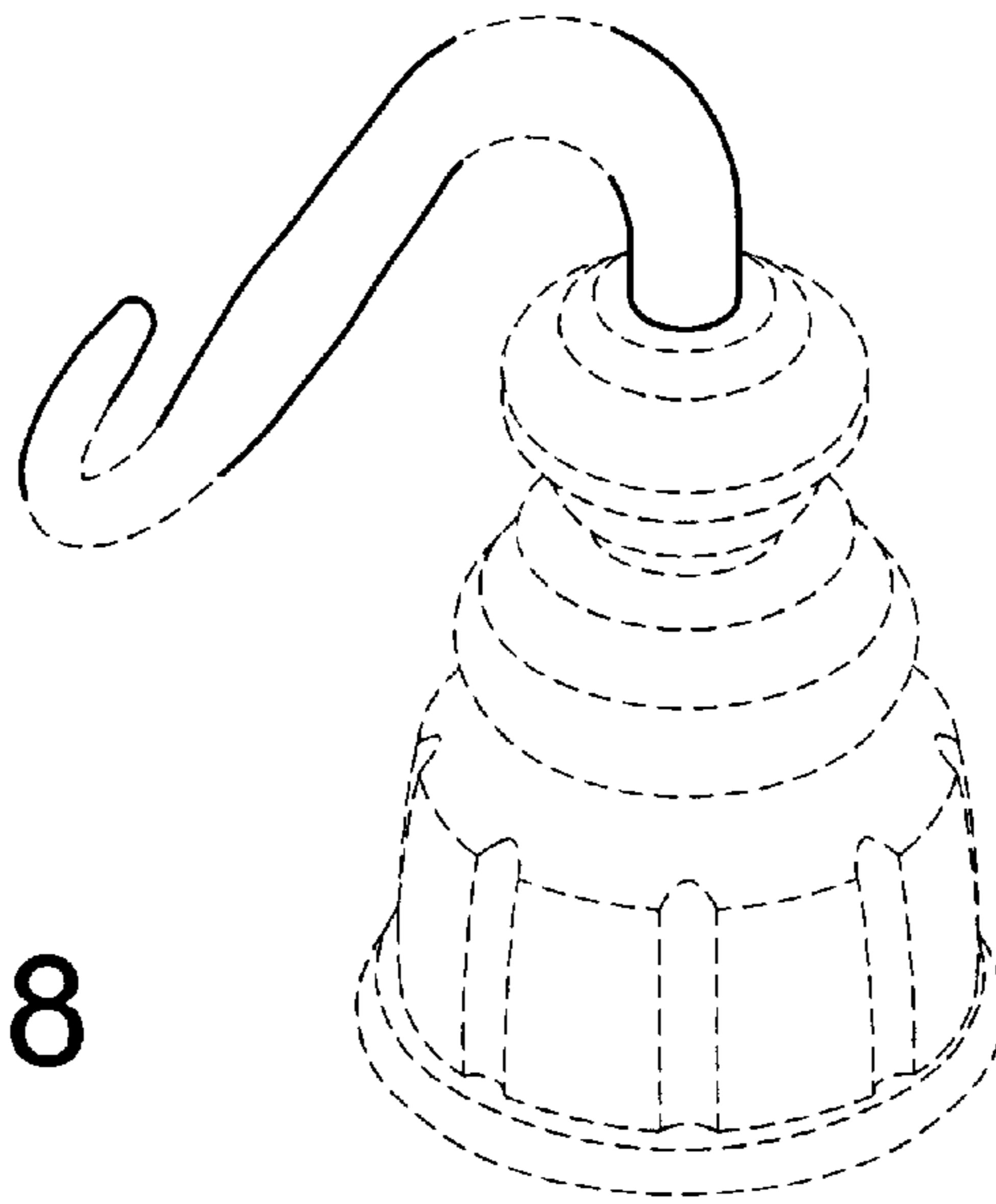


FIG. 8

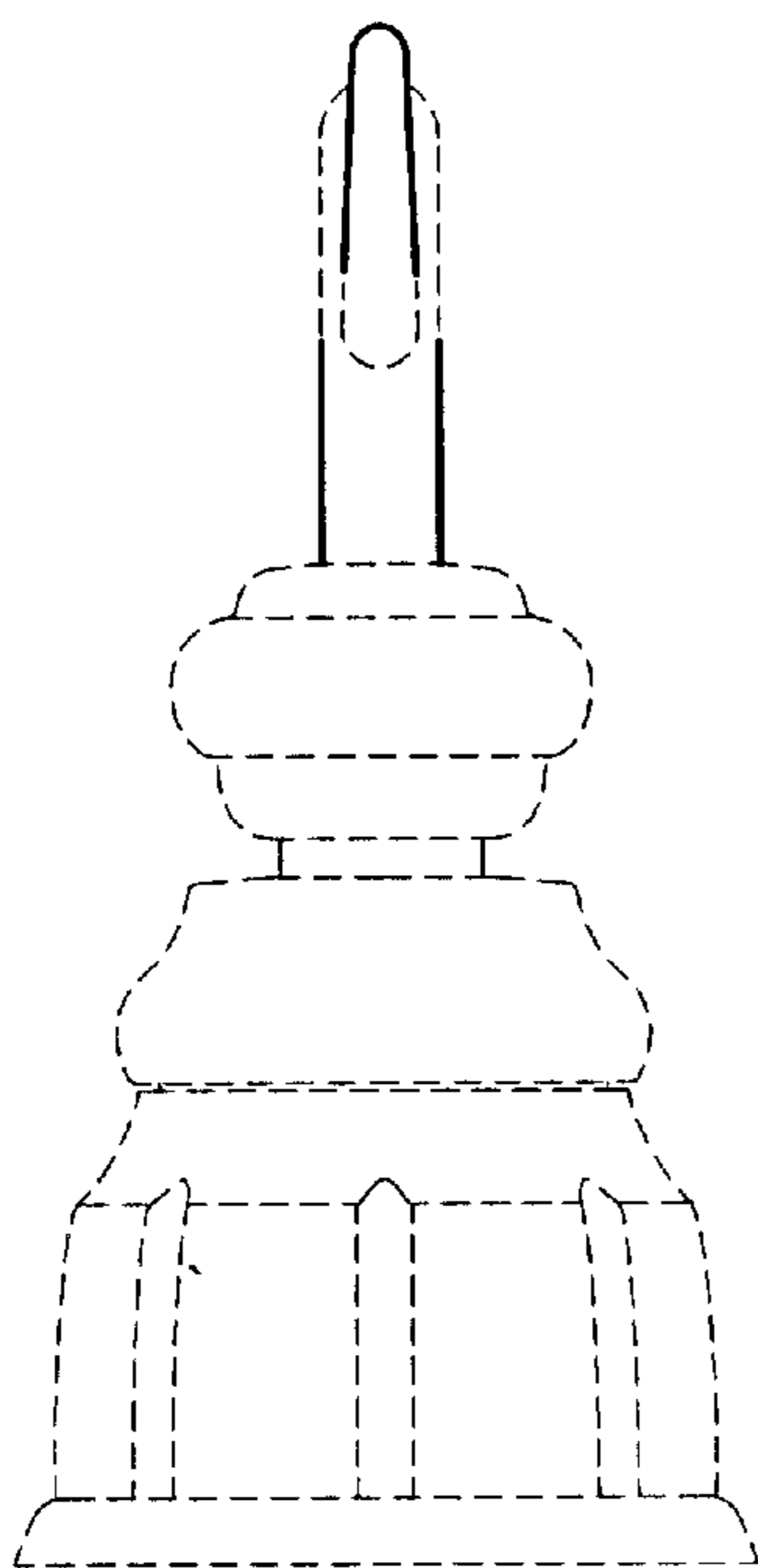


FIG. 9

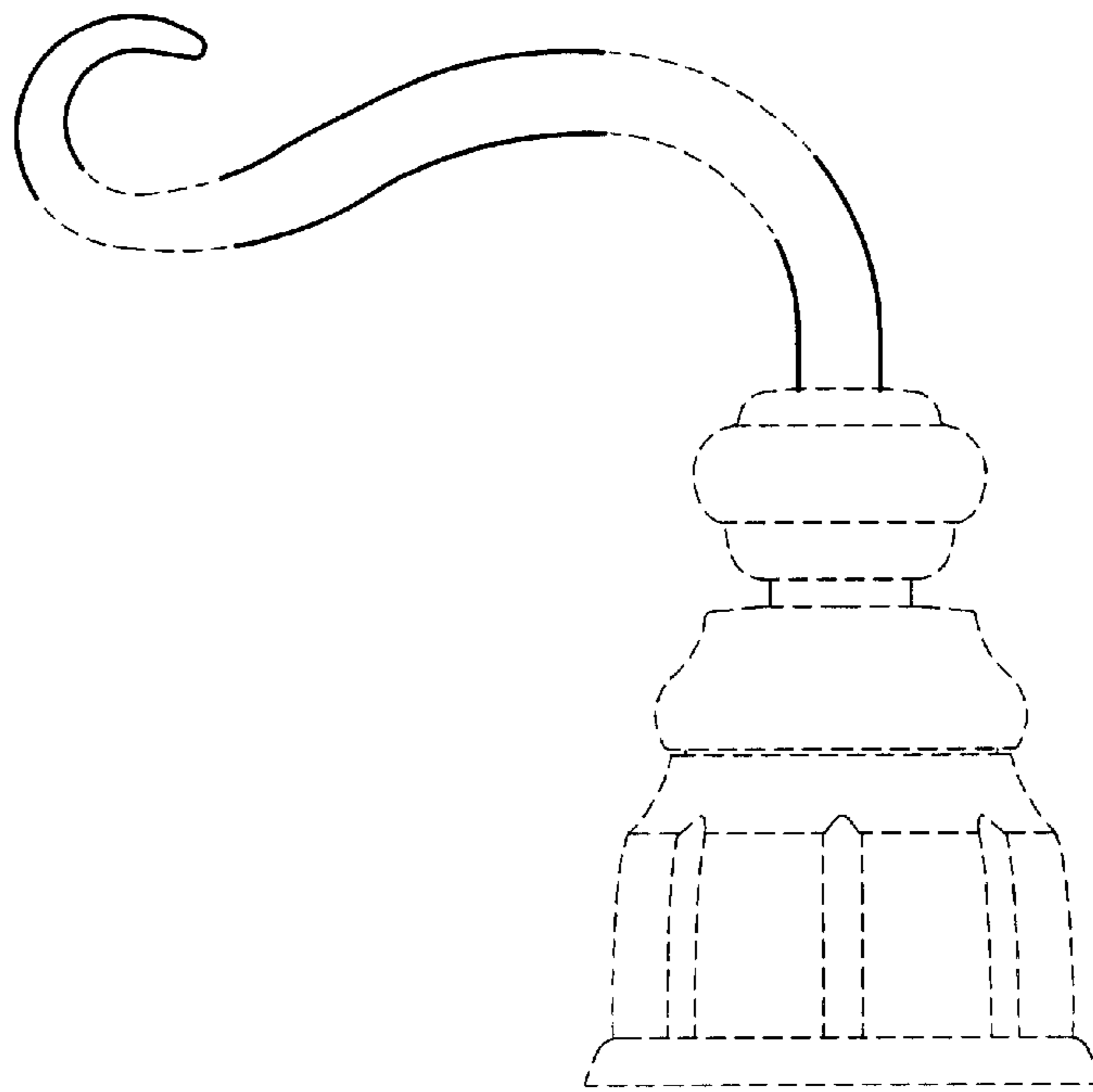


FIG. 10

FIG. 11

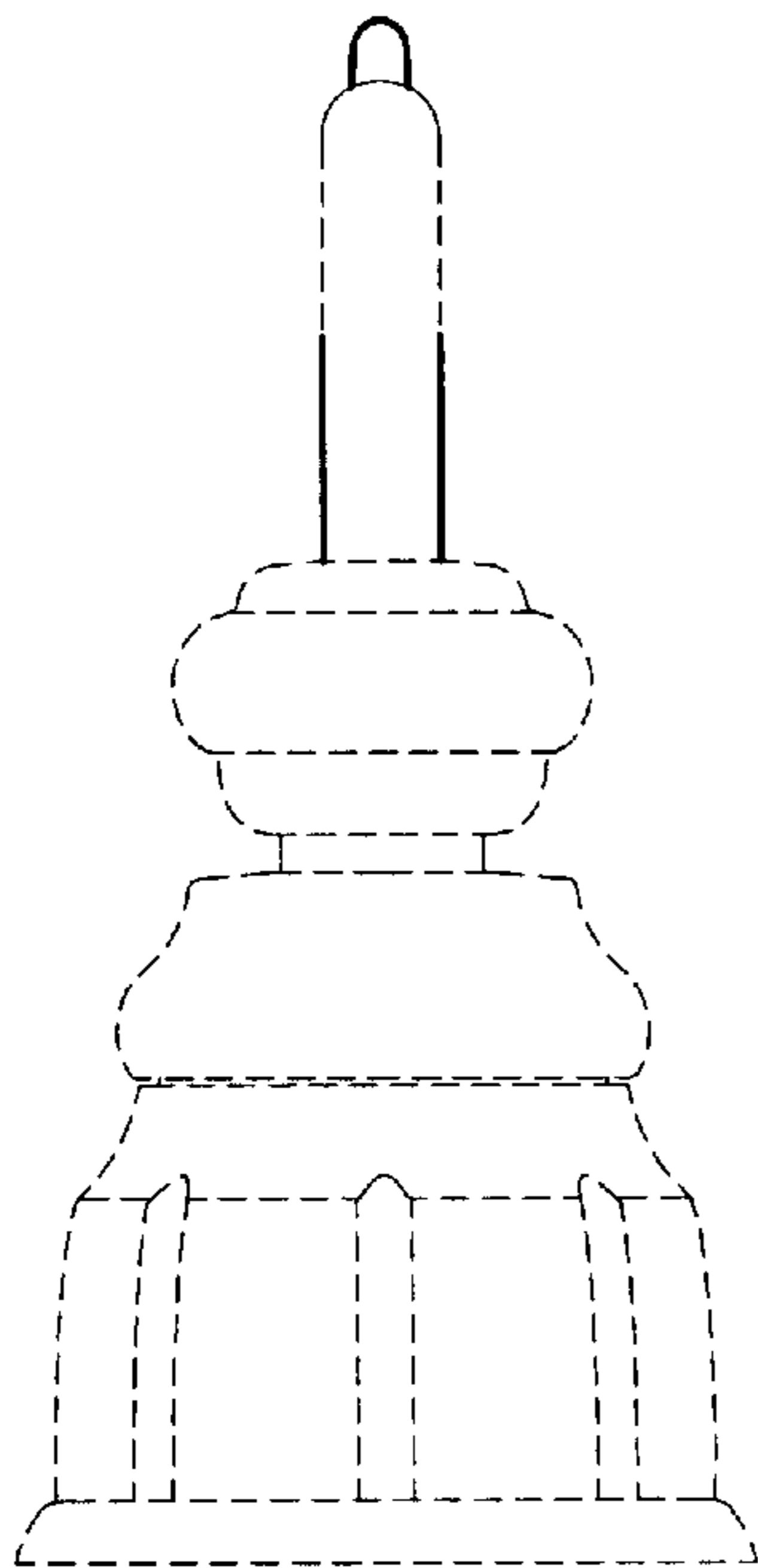
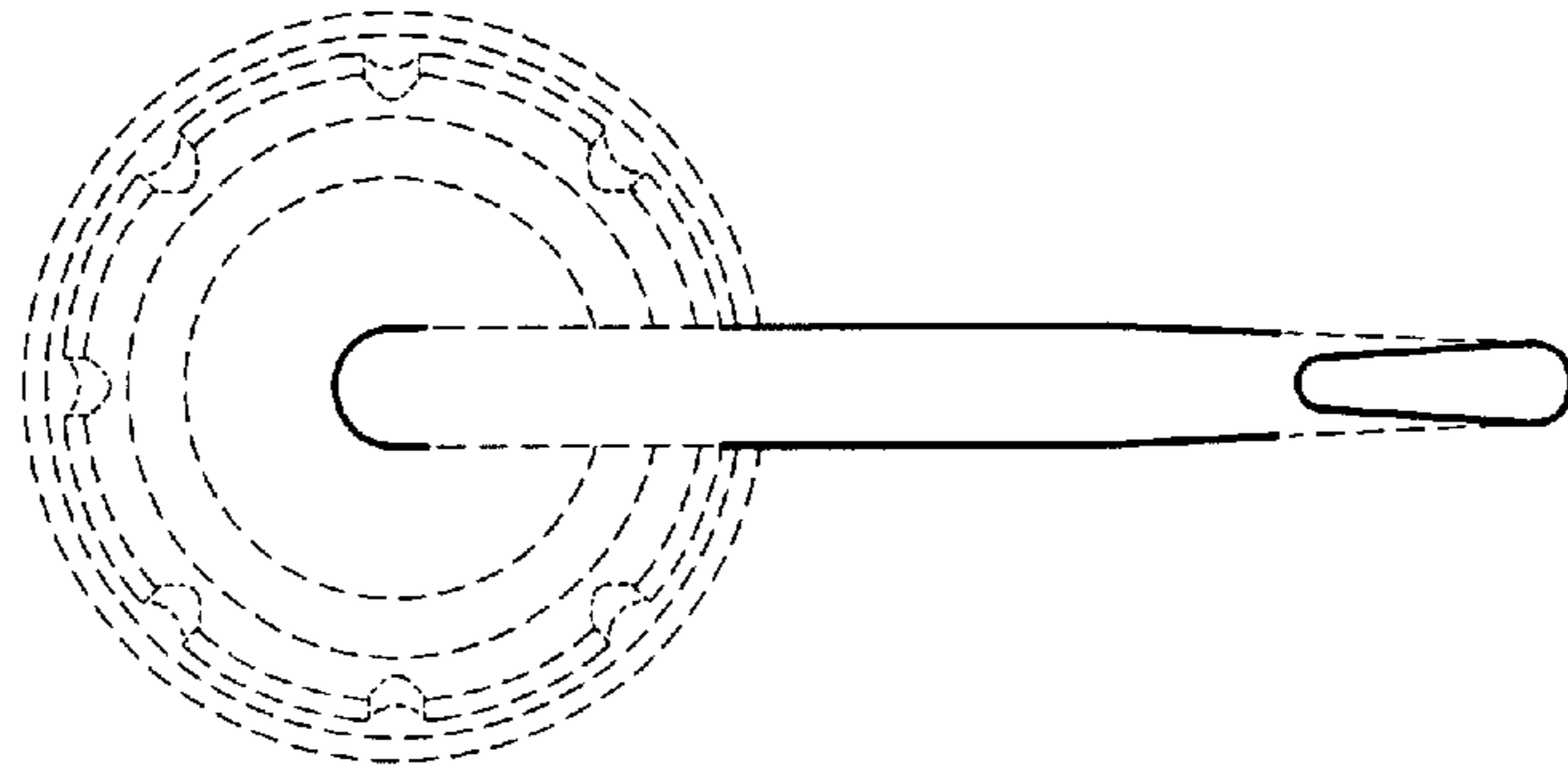


FIG. 12

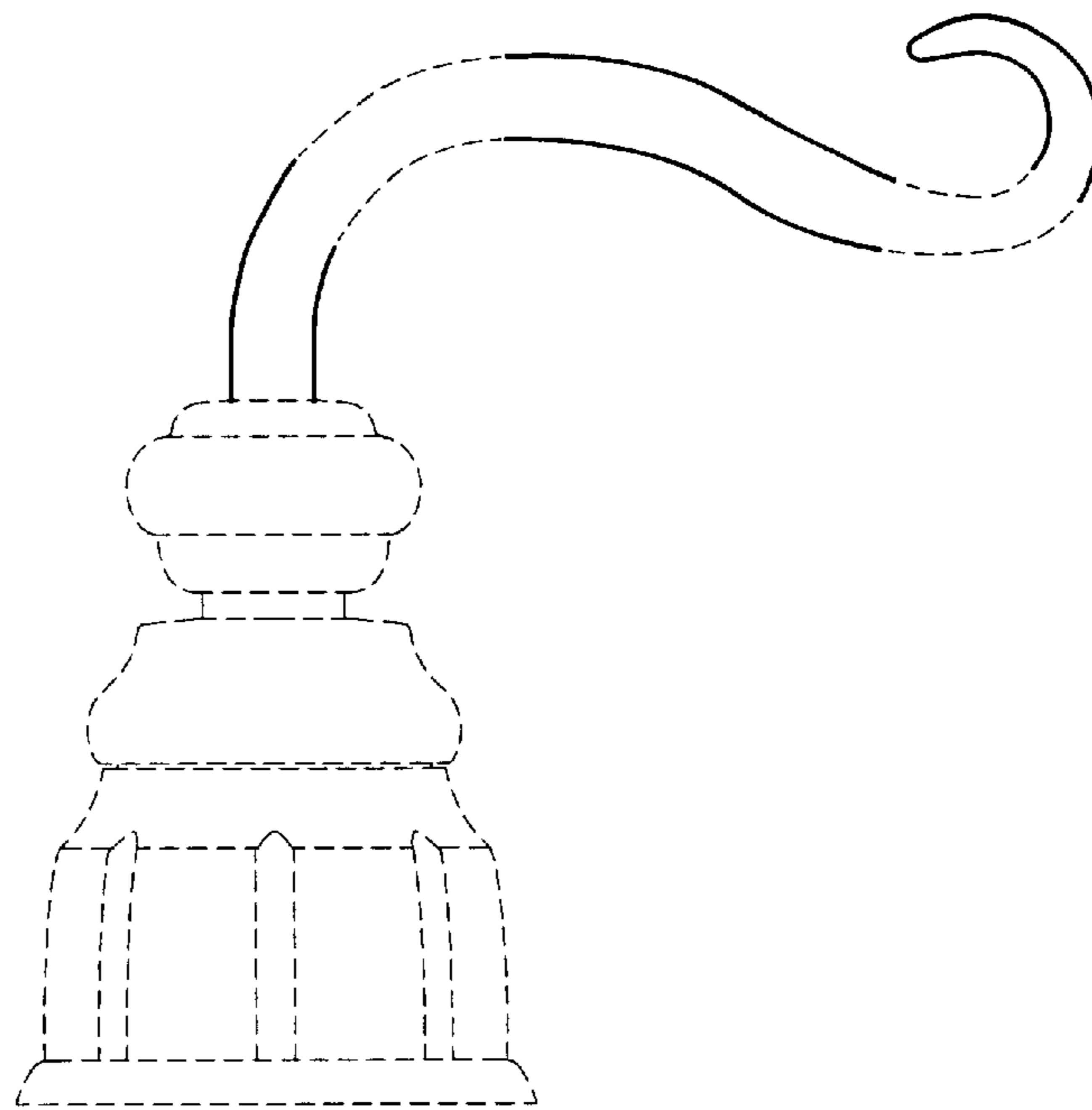


FIG. 13

FIG. 14

