



US00D512895S

(12) **United States Design Patent**
Sato

(10) **Patent No.:** **US D512,895 S**
(45) **Date of Patent:** **** Dec. 20, 2005**

- (54) **LEVER HANDLE FOR FITTINGS**
- (75) **Inventor:** **Genichi Sato, Ageo (JP)**
- (73) **Assignee:** **Sugatsune Kogyo Co., Ltd., Tokyo (JP)**
- (**) **Term:** **14 Years**
- (21) **Appl. No.:** **29/191,199**
- (22) **Filed:** **Oct. 2, 2003**
- (30) **Foreign Application Priority Data**
Apr. 4, 2003 (JP) 2003-009513
- (51) **LOC (6) Cl.** **08-06**
- (52) **U.S. Cl.** **D8/308**
- (58) **Field of Search** D6/522, 546; D8/300, D8/301, 305, 307, 158, 308, 310-320, 330, 331, 336, 338, 341, 343, 352; D13/171, 174; D23/254, 255, 257, 262, 238, 242; 16/11 R, 111 R

(56) **References Cited**

U.S. PATENT DOCUMENTS

- D82,883 S * 12/1930 Graff D8/308
- D99,309 S * 4/1936 Ruppel D8/308
- D99,310 S * 4/1936 Ruppel D8/308
- D129,918 S * 10/1941 Floraday D8/308
- D312,956 S * 12/1990 Boeri D8/308
- D313,542 S * 1/1991 Fayerman D8/308

- D317,706 S * 6/1991 Boeri D8/308
- D329,188 S * 9/1992 Paul D8/308
- D351,456 S * 10/1994 Paul D23/252
- D356,484 S * 3/1995 Scholl D8/308

* cited by examiner

Primary Examiner—Prabhakar Deshmukh
Assistant Examiner—Jean E. McCormick
(74) *Attorney, Agent, or Firm*—Osha & May L.L.P.

(57) **CLAIM**

The ornamental design for a lever handle for fittings, as shown and described.

DESCRIPTION

FIG. 1 shows a front view of the design according to an embodiment of the invention.
 FIG. 2 shows a top plan view of the design according to an embodiment of the invention.
 FIG. 3 shows a rear view of the design according to an embodiment of the invention.
 FIG. 4 shows a right side view of the design according to an embodiment of the invention.
 FIG. 5 shows a left side view of the design according to an embodiment of the invention; and,
 FIG. 6 shows a sectional view of the design according to an embodiment of the invention taken along the line 6—6 as shown in FIG. 2.
 The bottom plan view is a mirror image of the top plan view as shown in FIG. 2.

1 Claim, 2 Drawing Sheets

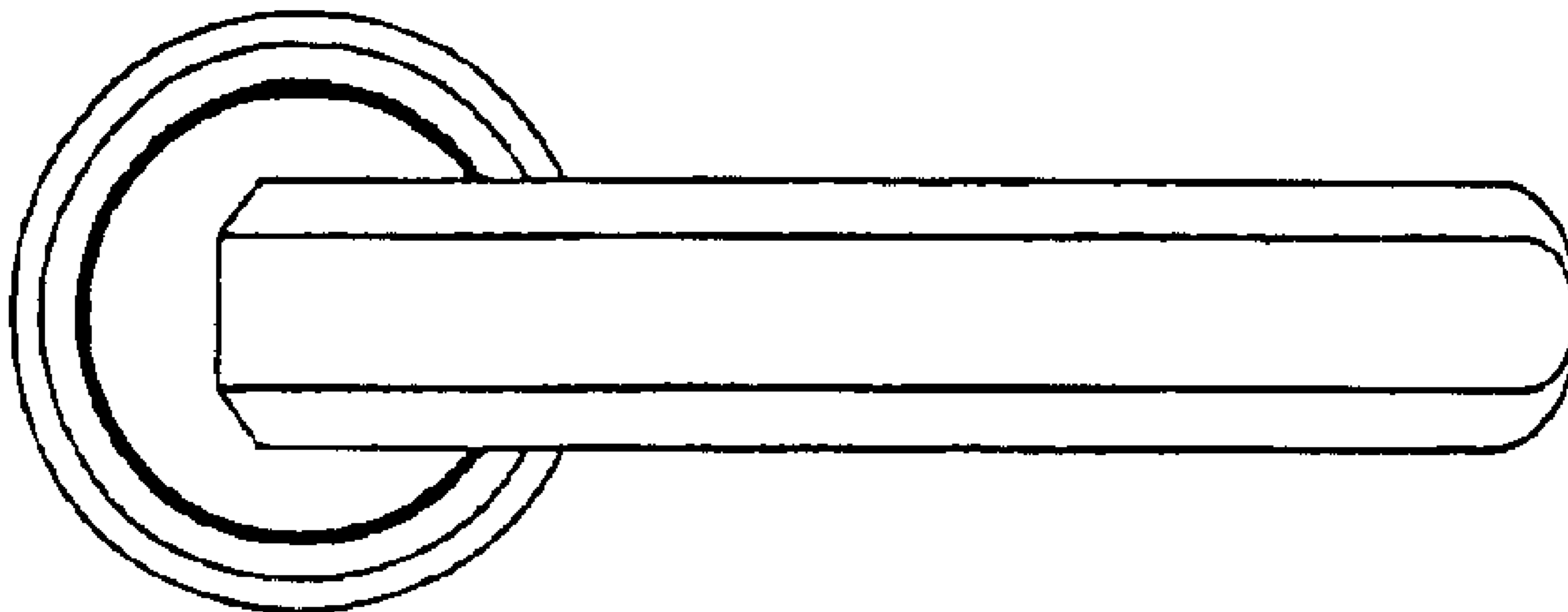


FIG. 1

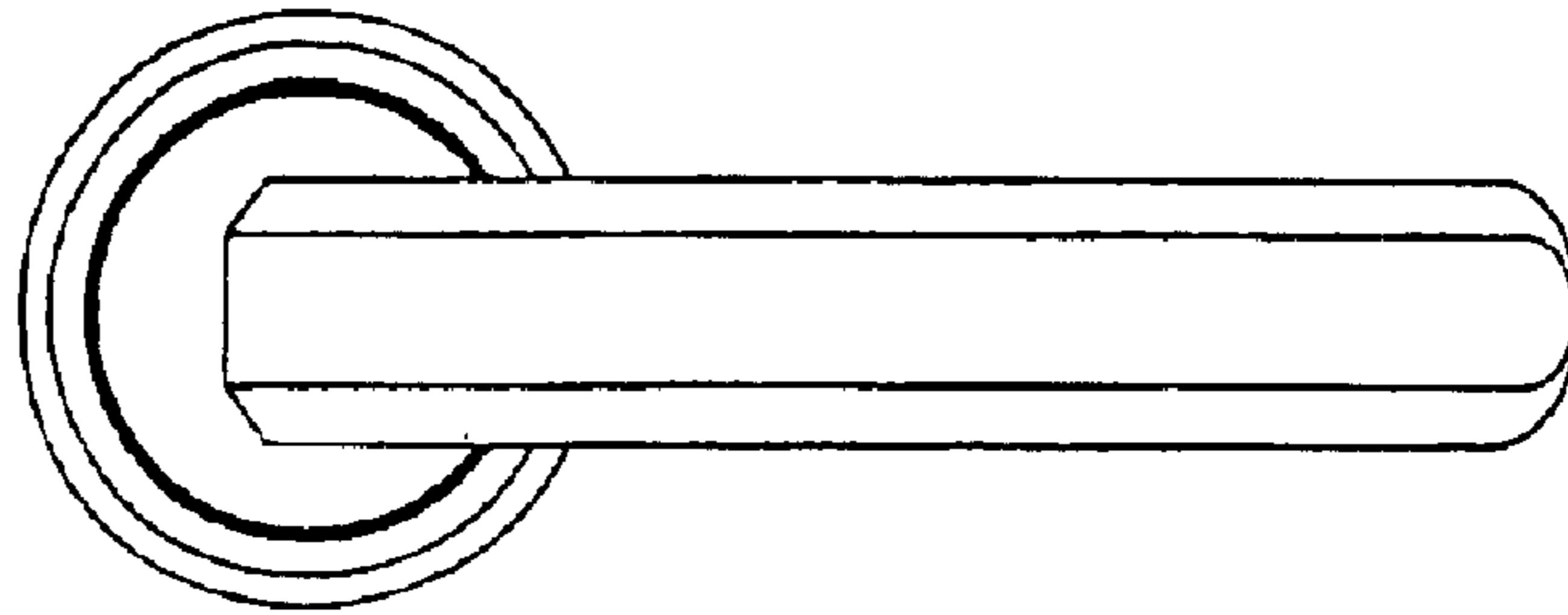


FIG. 2

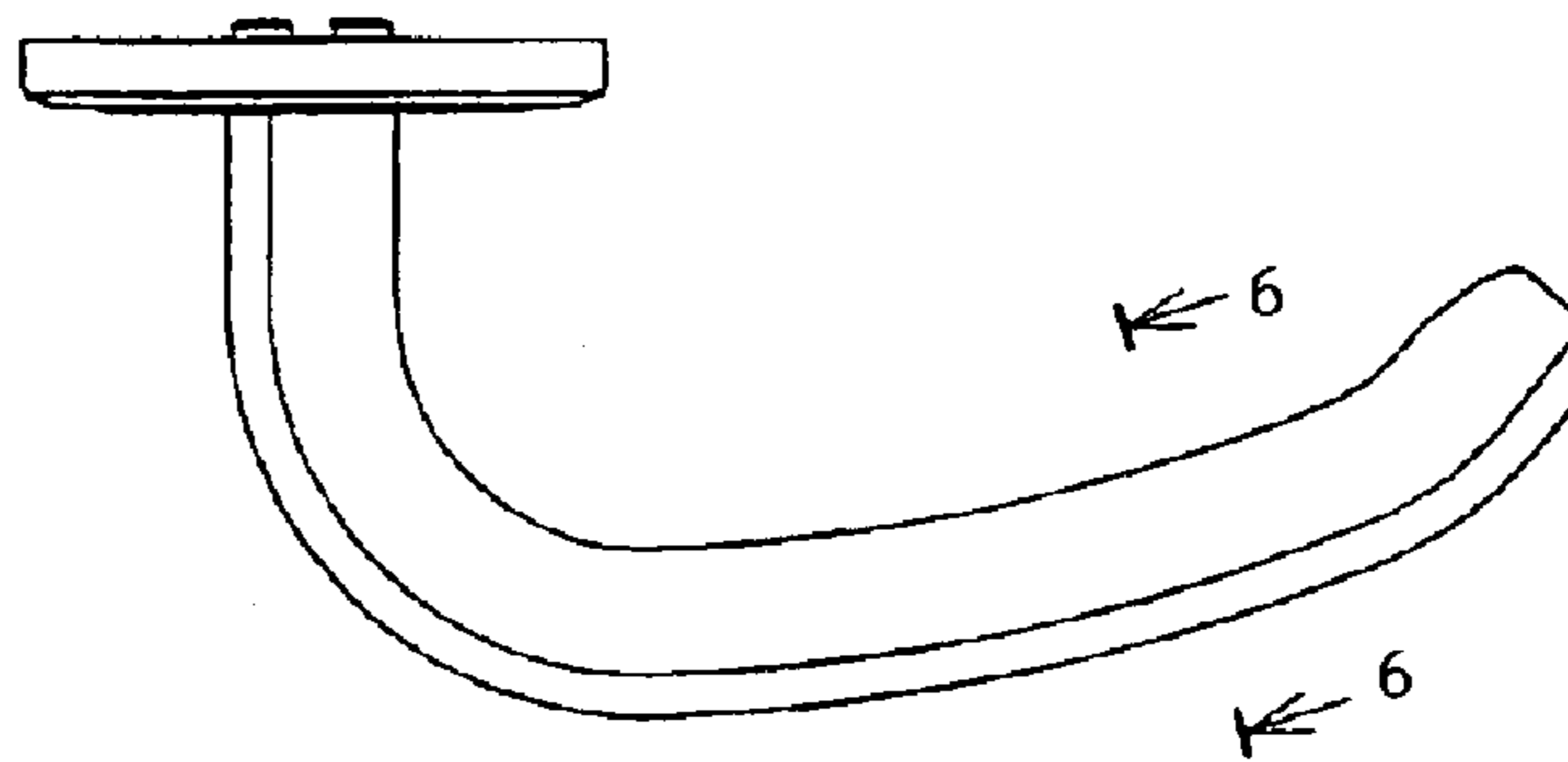


FIG. 3

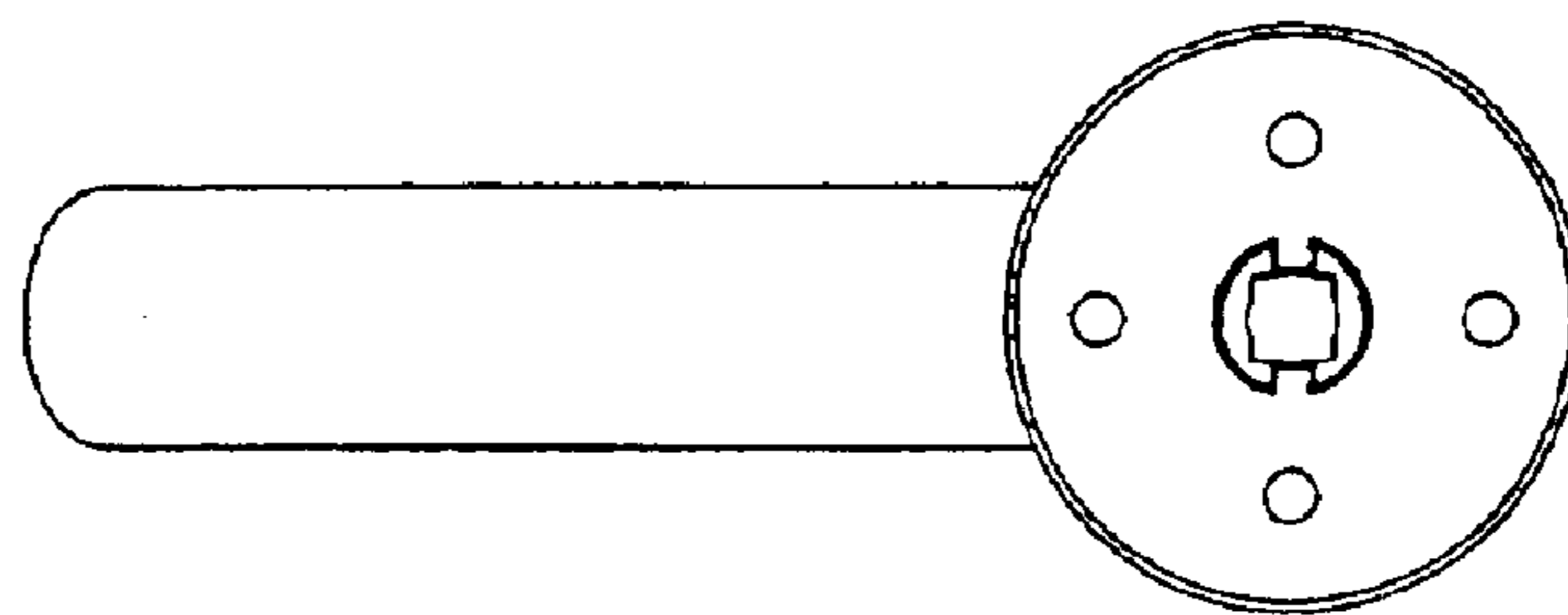


FIG. 4

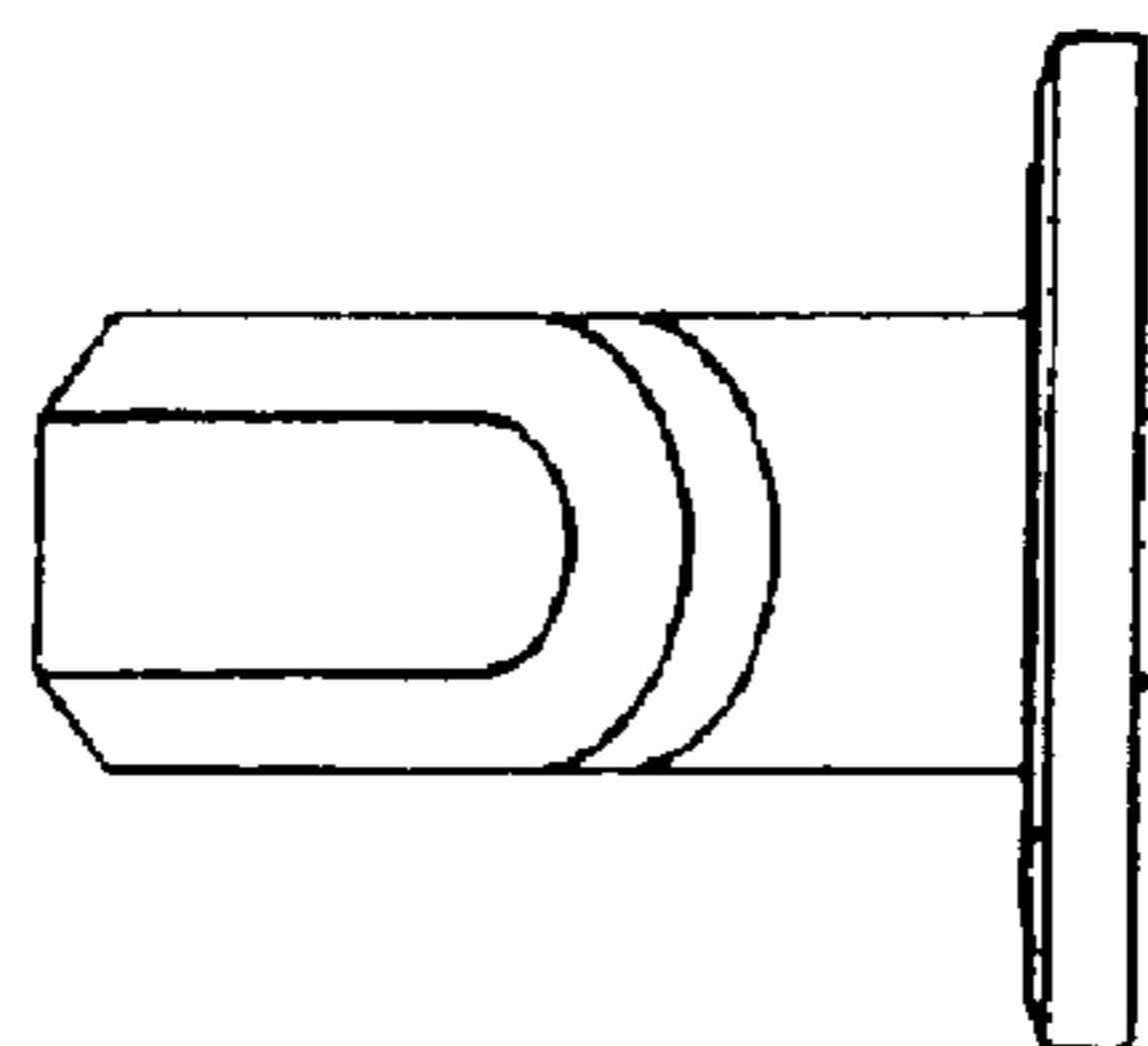


FIG. 5

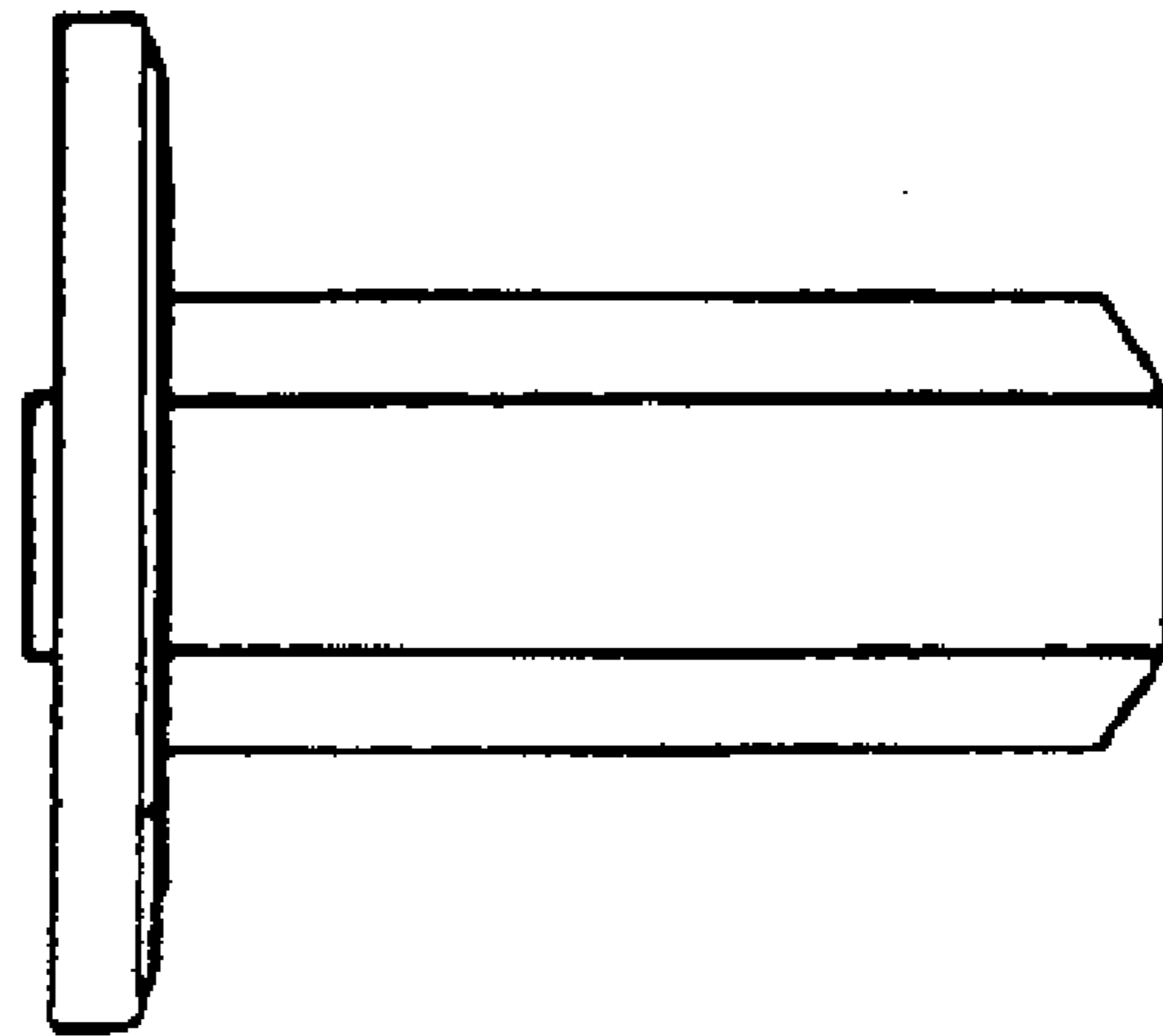


FIG. 6

