



US00D512891S

(12) **United States Design Patent**  
**Aglassinger**

(10) **Patent No.: US D512,891 S**

(45) **Date of Patent: \*\* Dec. 20, 2005**

(54) **IMPACT DRIVER HANDTOOL**

(75) Inventor: **Hans-Peter Aglassinger**, Esslingen  
(DE)

(73) Assignee: **Robert Bosch GmbH**, Stuttgart (DE)

(\*\*) Term: **14 Years**

(21) Appl. No.: **29/225,899**

(22) Filed: **Mar. 22, 2005**

(30) **Foreign Application Priority Data**

Oct. 26, 2004 (DE) ..... 4 04 06 097

(51) **LOC (6) Cl. .... 08-05**

(52) **U.S. Cl. .... D8/68**

(58) **Field of Search** ..... D8/14.1, 61, 62,  
D8/63, 64, 65, 66, 67, 68, 69, 70; 81/57.11,  
429, 464, 465, 466, 469, 489; 173/13, 169,  
178, 213, 217; 227/8, 114, 120, 130, 136,  
142; 310/50; 408/20, 124, 125, 234, 241 R;  
451/358

(56) **References Cited**

**U.S. PATENT DOCUMENTS**

- D364,463 S \* 11/1995 Pitzen et al. .... D8/68
- D392,863 S \* 3/1998 Sugimoto et al. .... D8/68
- D424,902 S \* 5/2000 Gildersleeve et al. .... D8/68
- D462,594 S \* 9/2002 Flickinger ..... D8/68
- D467,780 S \* 12/2002 Koizumi ..... D8/68

- D477,205 S \* 7/2003 Sakai et al. .... D8/68
- D484,385 S \* 12/2003 Sakai et al. .... D8/68
- D494,435 S \* 8/2004 Hayakawa et al. .... D8/68
- D499,945 S \* 12/2004 Sugawara et al. .... D8/68
- 6,860,342 B1 \* 3/2005 Wu et al. .... 173/217
- D503,879 S \* 4/2005 Watson ..... D8/68
- 2005/0121209 A1 \* 6/2005 Shimizu et al. .... 173/217

**FOREIGN PATENT DOCUMENTS**

- GB 2041266 S \* 8/1993
- GB 2105281 \* 4/2001

\* cited by examiner

*Primary Examiner*—Gary D. Watson

*Assistant Examiner*—T. Chase Nelson

(74) *Attorney, Agent, or Firm*—Michael J. Striker

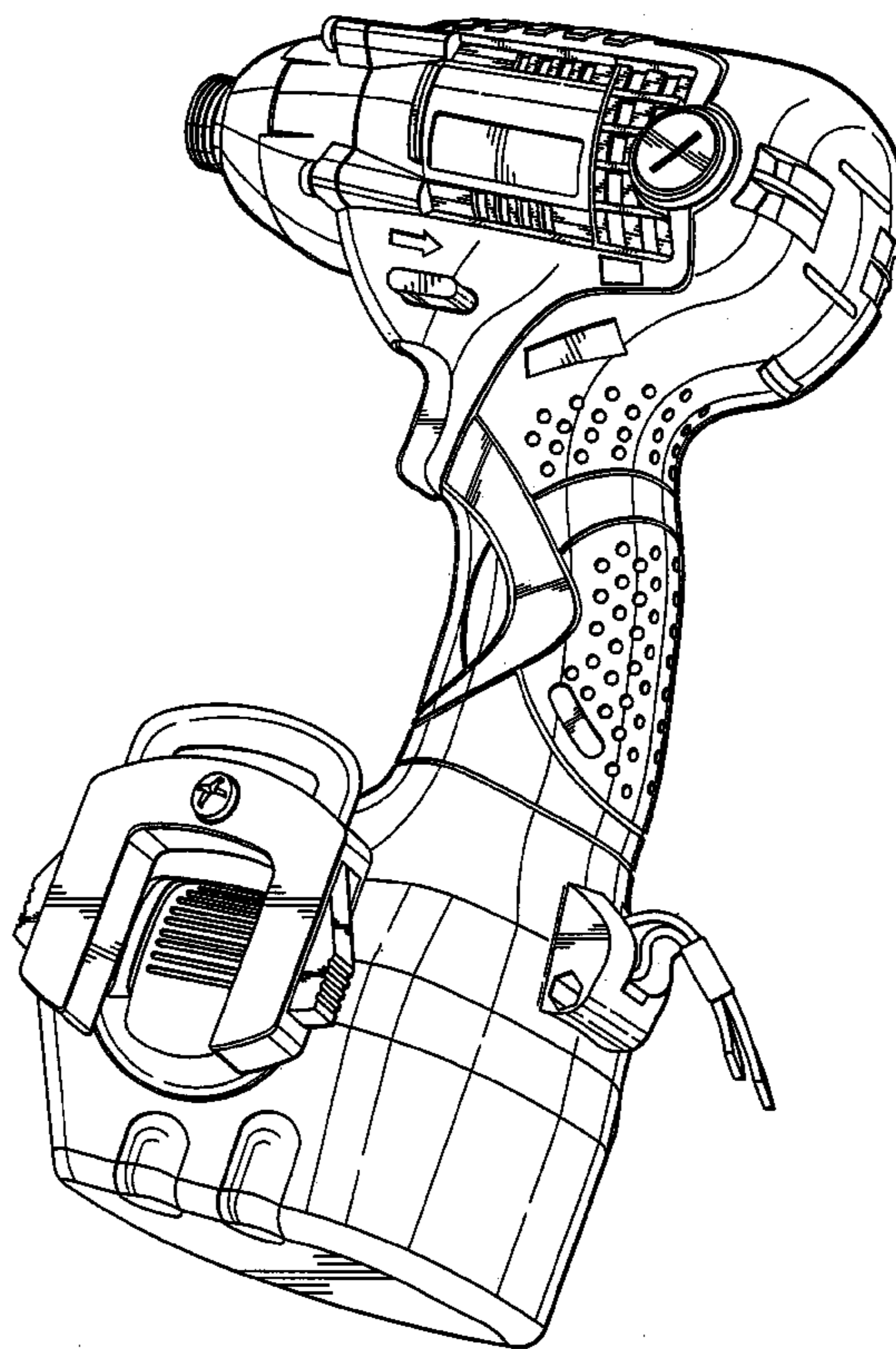
(57) **CLAIM**

I claim the ornamental design for an impact driver handtool, as shown and described.

**DESCRIPTION**

FIG. 1 is a perspective view of a impact driver handtool showing my new design;  
 FIG. 2 is a side view thereof;  
 FIG. 3 is a front view thereof;  
 FIG. 4 is the opposite side view of FIG. 2 thereof;  
 FIG. 5 is a rear view thereof;  
 FIG. 6 is a bottom view thereof; and,  
 FIG. 7 is a top view thereof.

**1 Claim, 7 Drawing Sheets**



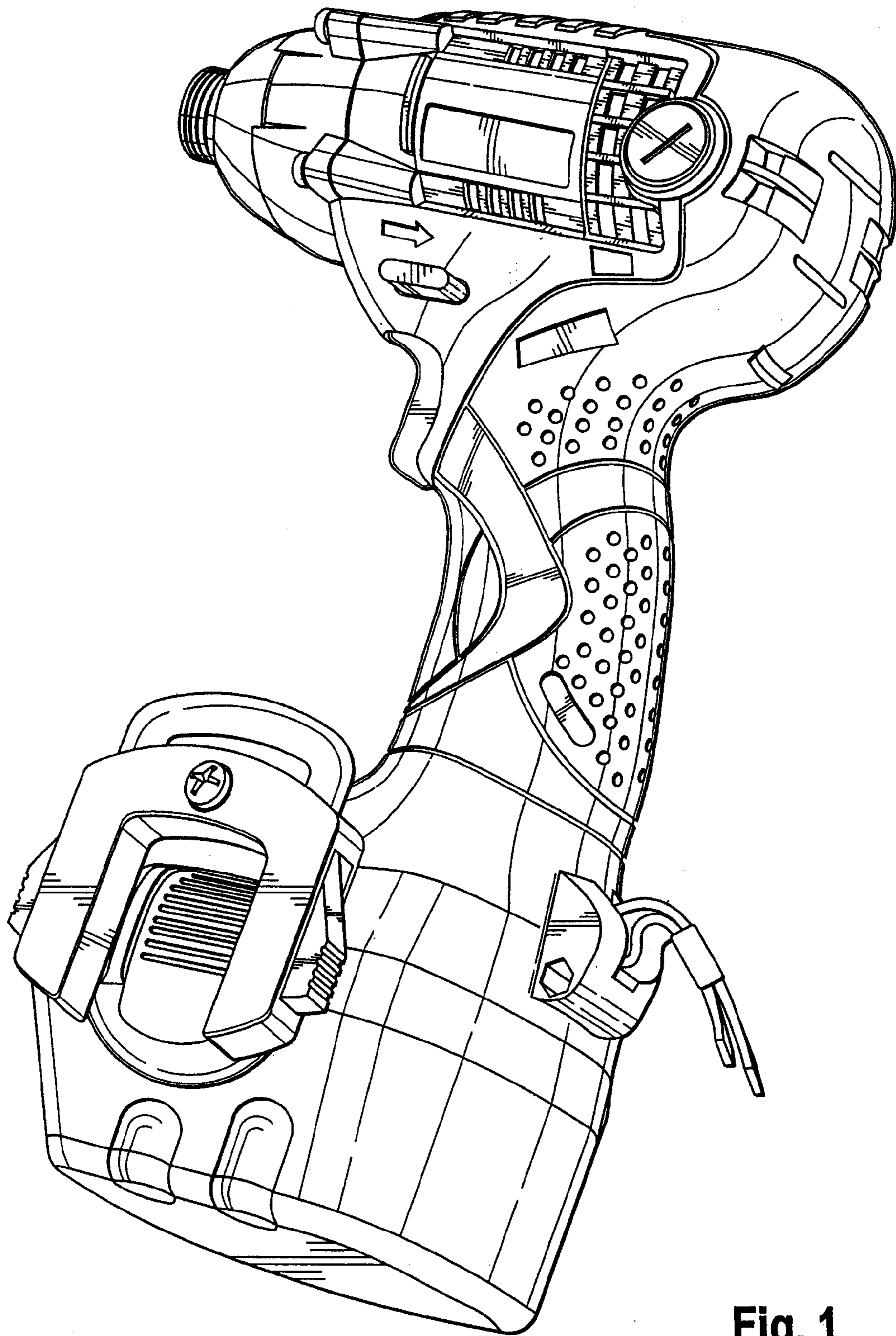


Fig. 1

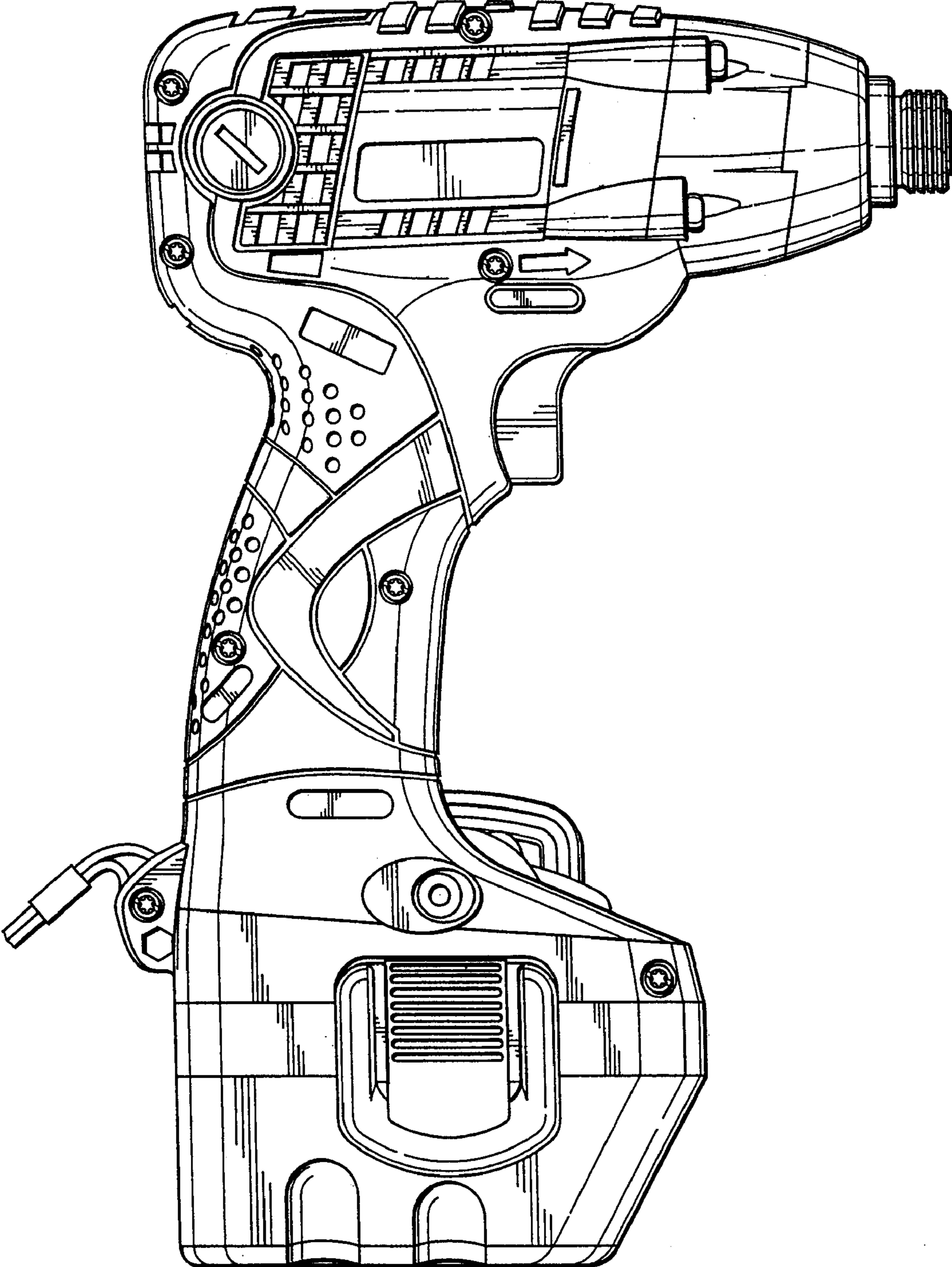


Fig. 2

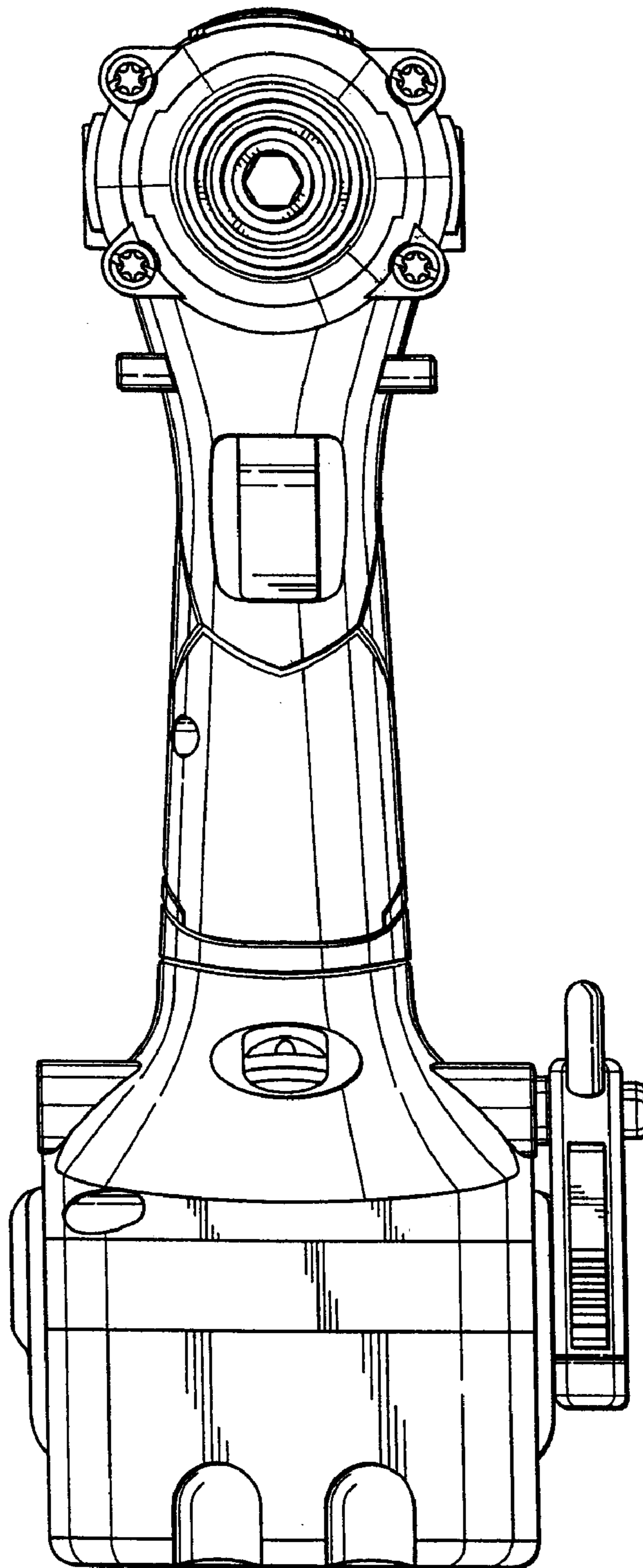


Fig. 3

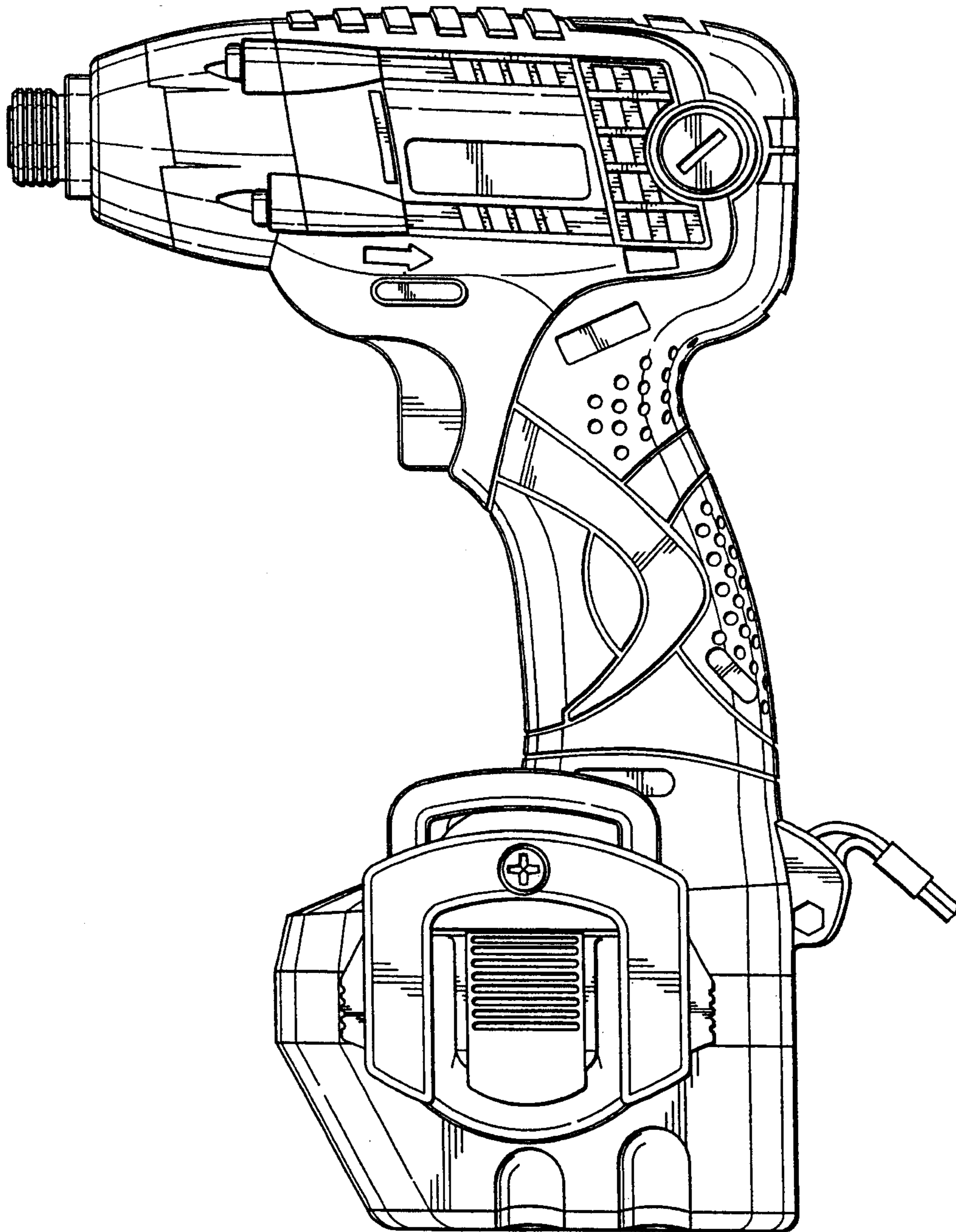


Fig. 4

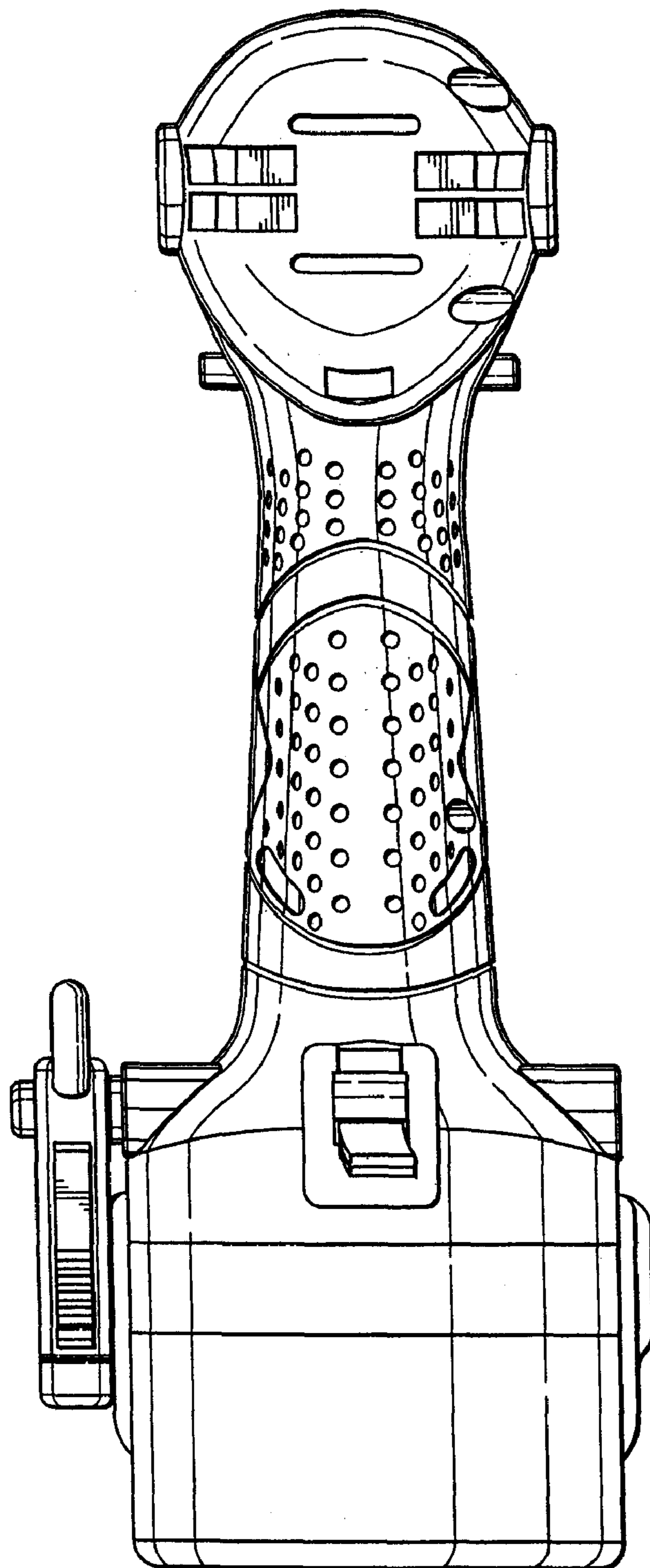


Fig. 5

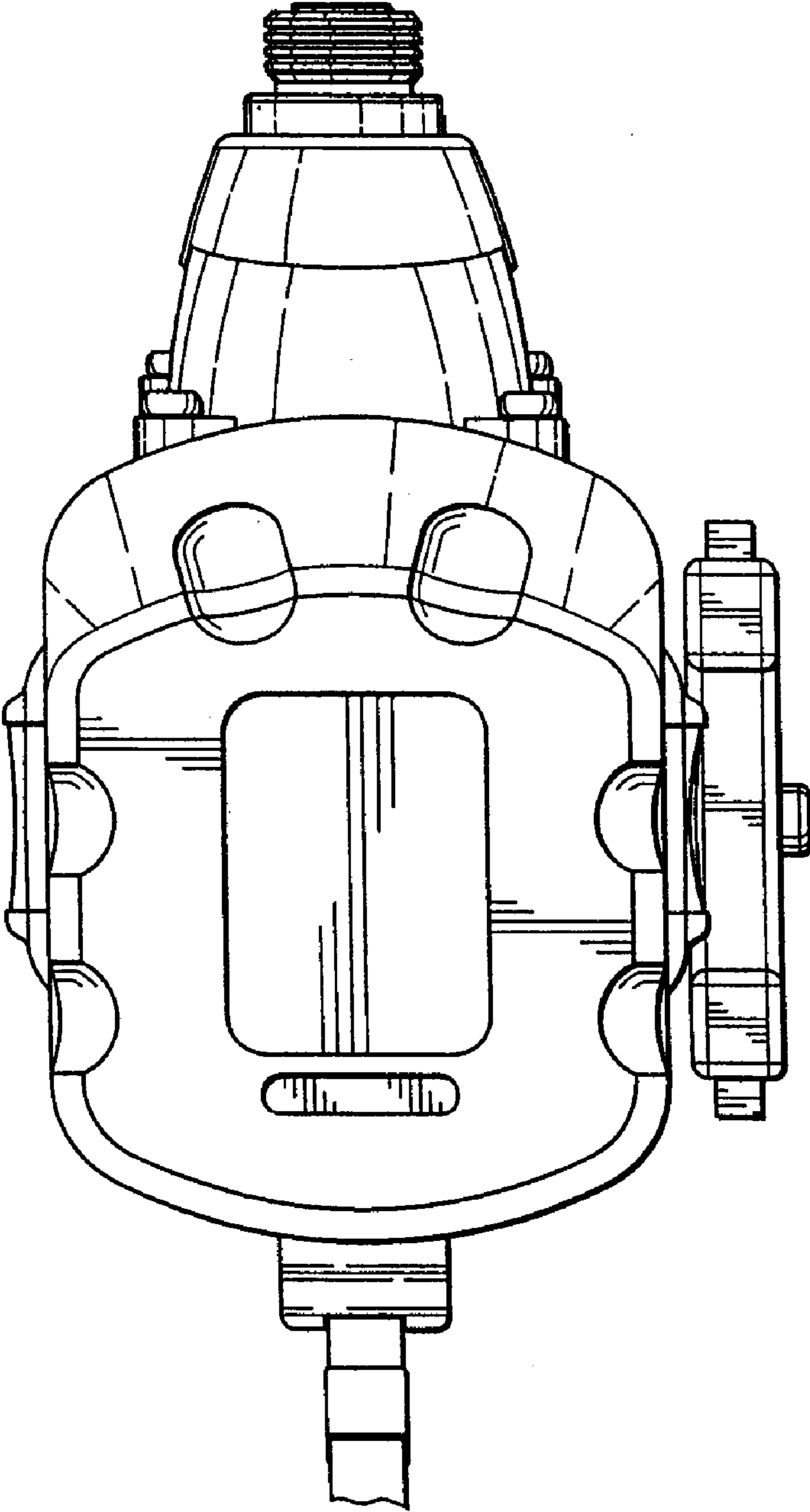


Fig. 6

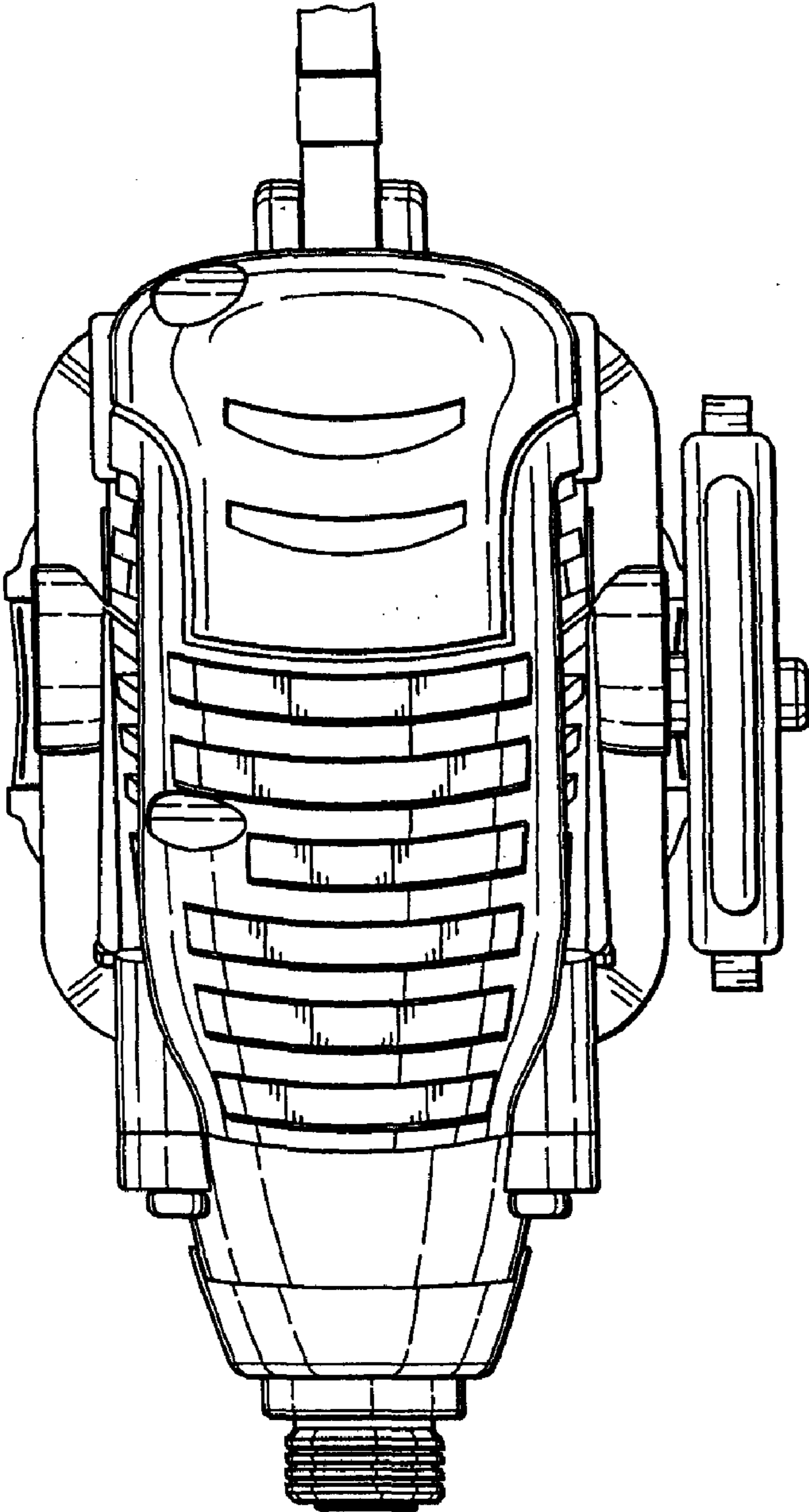


Fig. 7