

US00D512889S

(12) **United States Design Patent** (10) **Patent No.:** **US D512,889 S**  
**Miwa et al.** (45) **Date of Patent:** **\*\* Dec. 20, 2005**

(54) **STAPLE CARTRIDGE**

(75) Inventors: **Toshihide Miwa**, Gunma (JP); **Kiichi Haramiishi**, Gunma (JP)

(73) Assignee: **Max Kabushiki Kaisha (Max Co., Ltd.)**, Tokyo (JP)

(\*\*) Term: **14 Years**

(21) Appl. No.: **29/187,509**

(22) Filed: **Aug. 4, 2003**

(30) **Foreign Application Priority Data**

Feb. 5, 2003 (JP) ..... 2003-002569

(51) **LOC (6) Cl.** ..... **19-02**

(52) **U.S. Cl.** ..... **D8/49**

(58) **Field of Search** ..... D8/49, 50; 227/7, 227/120, 131, 132, 135, 136, 156

(56) **References Cited**

**U.S. PATENT DOCUMENTS**

- 5,474,222 A \* 12/1995 Kanai et al. .... 227/131
- 5,560,529 A \* 10/1996 Udagawa et al. .... 227/136
- 5,575,054 A \* 11/1996 Klinzing et al. .... 227/120
- 5,676,299 A \* 10/1997 Yoshie et al. .... 227/131
- 6,216,936 B1 \* 4/2001 Abe ..... 227/131
- D480,614 S \* 10/2003 Haramiishi ..... D8/49
- 6,705,504 B1 \* 3/2004 Kanai et al. .... 227/135

**FOREIGN PATENT DOCUMENTS**

WO WO 03013801 \* 2/2003 ..... B25C/5/16

\* cited by examiner

*Primary Examiner*—Adir Aronovich  
(74) *Attorney, Agent, or Firm*—Burns, Doane, Swecker & Mathis, LLP

(57) **CLAIM**

The ornamental design for a staple cartridge, as shown and described.

**DESCRIPTION**

FIG. 1 is a top perspective view of a staple cartridge showing our new design.

FIG. 2 is a top perspective view thereof with the press board in a lowered position.

FIG. 3 is a bottom perspective view thereof with the press board in a lowered position.

FIG. 4 is a bottom plan view thereof.

FIG. 5 is a top plan view thereof.

FIG. 6 is a right side elevational view thereof.

FIG. 7 is a left side elevational view thereof.

FIG. 8 is a front elevational view thereof.

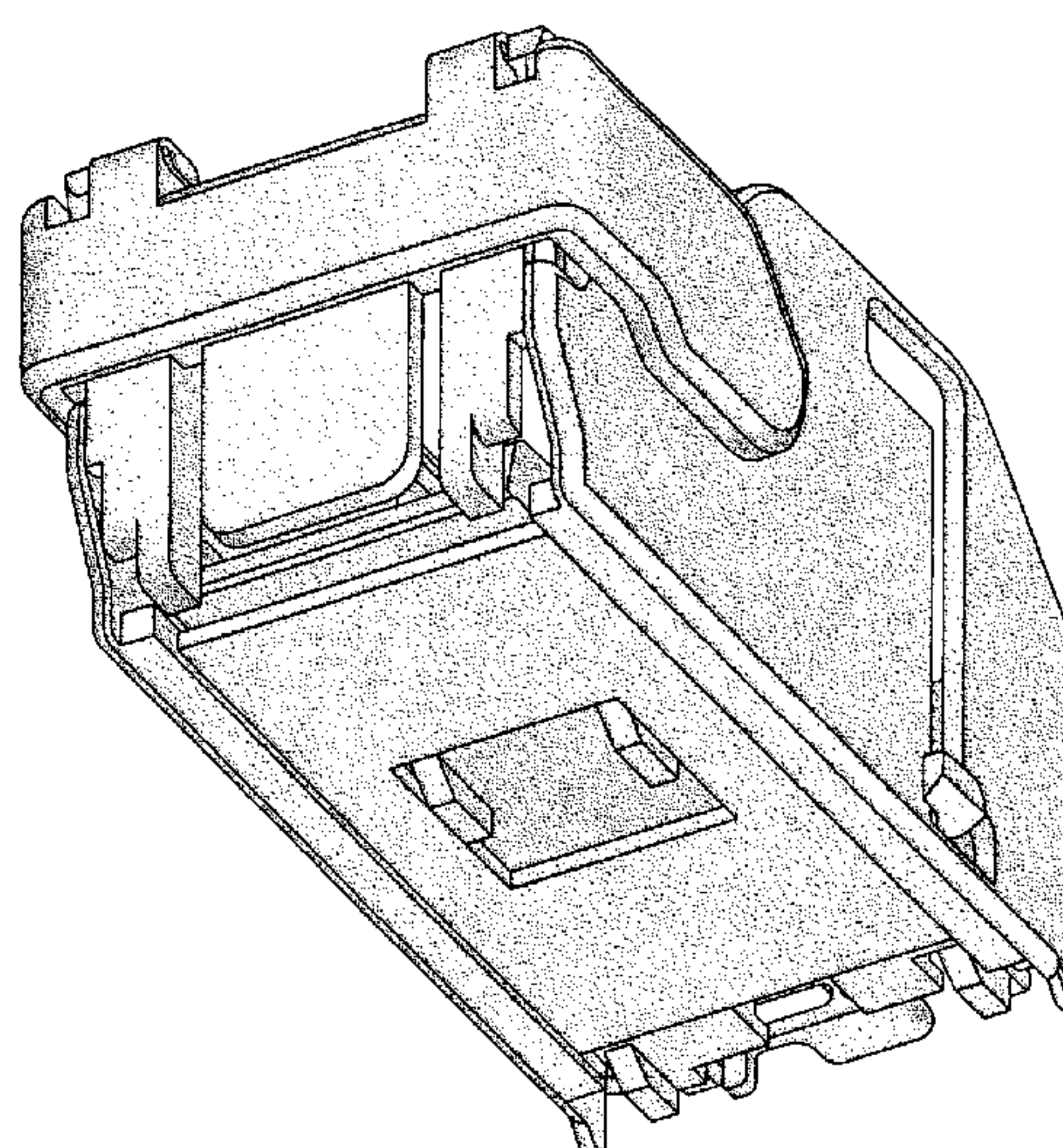
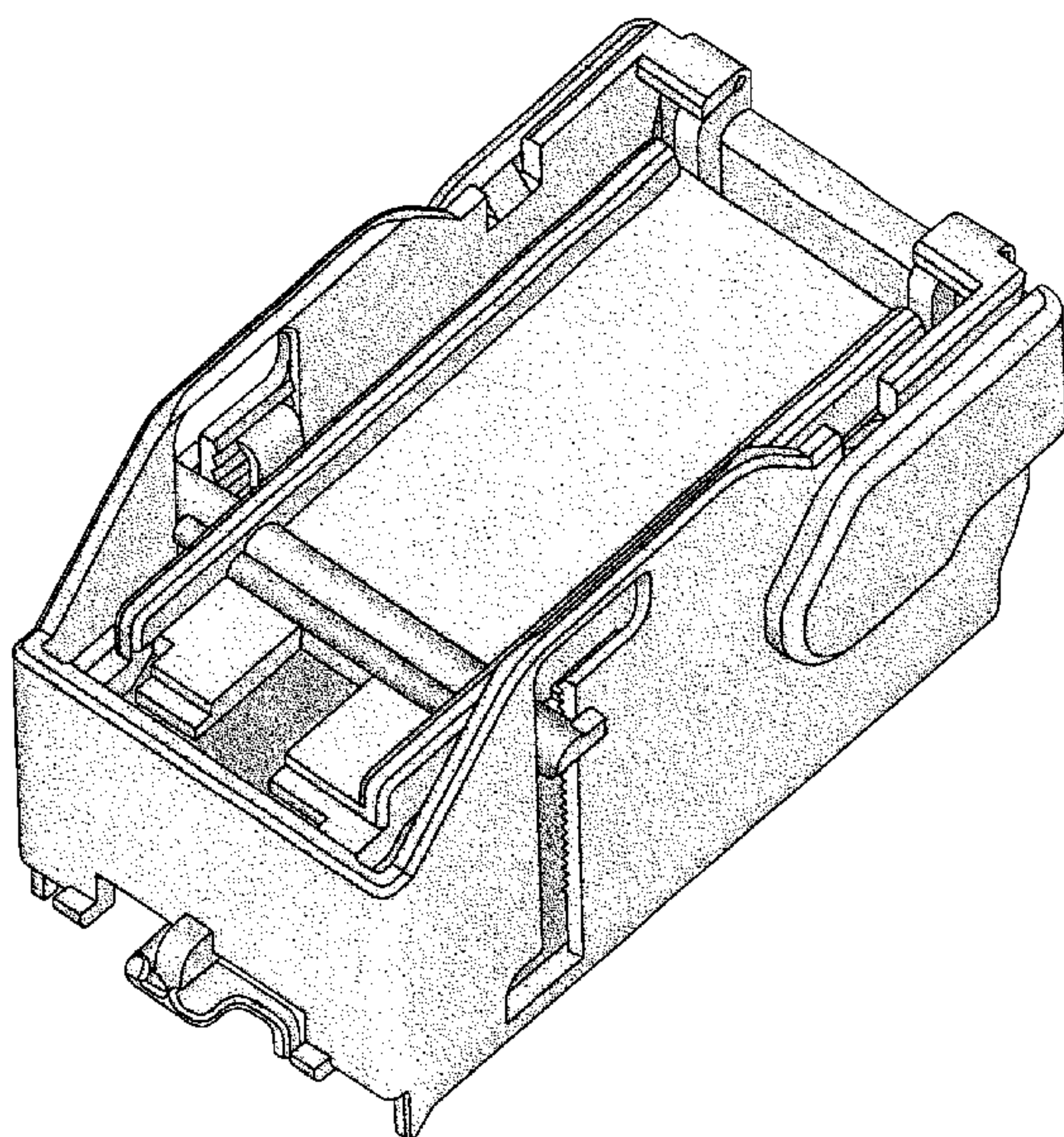
FIG. 9 is a rear elevational view thereof.

FIG. 10 is a cross-sectional view with the staples inserted taken generally along the line 10—10 shown in FIG. 5.

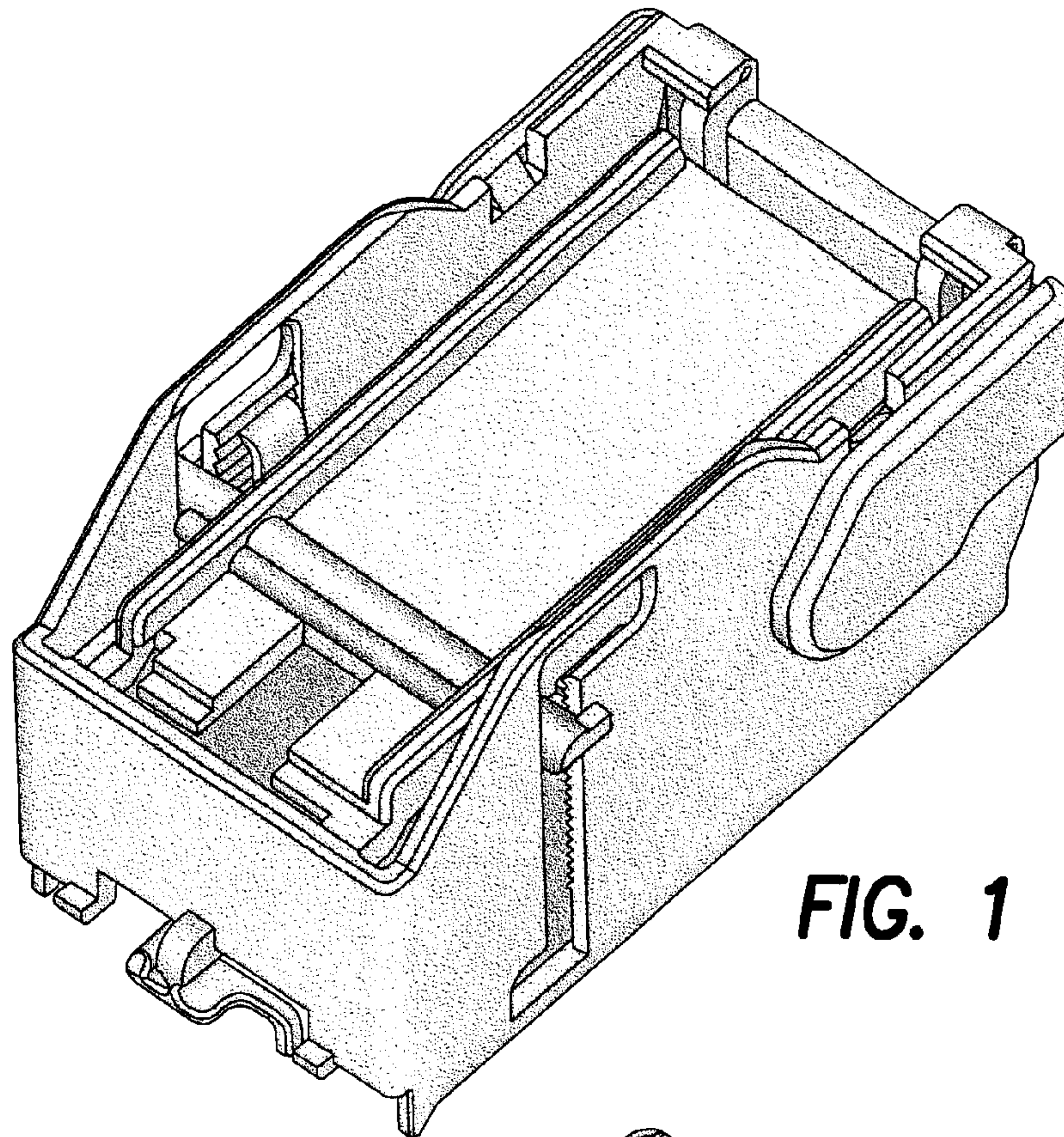
FIG. 11 is a cross-sectional view with the staples inserted taken generally along the line 11—11 shown in FIG. 6; and,

FIG. 12 is a cross-sectional view with the staples inserted and the press board lowered taken generally along the line 11—11 shown in FIG. 6.

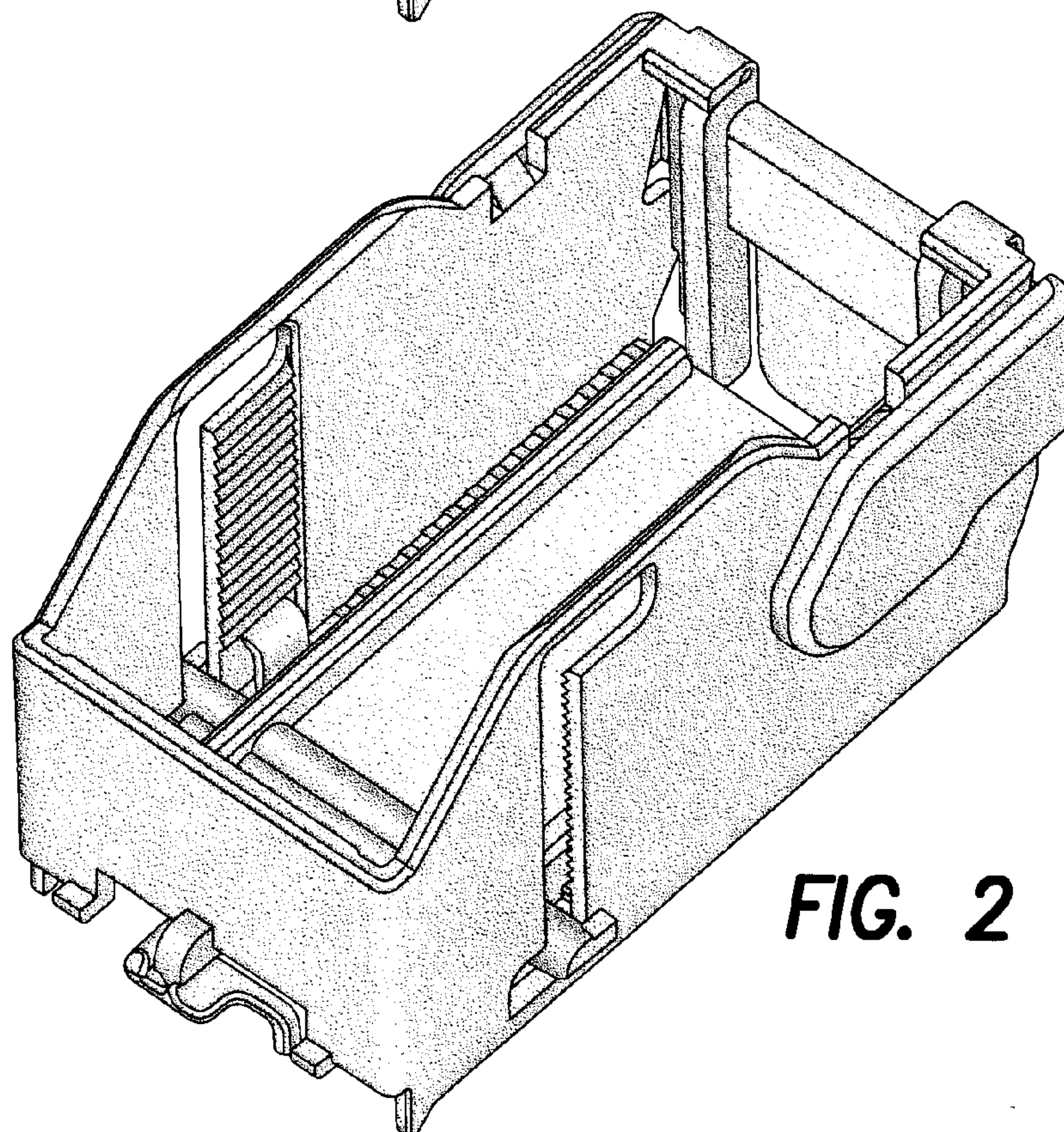
**1 Claim, 5 Drawing Sheets**





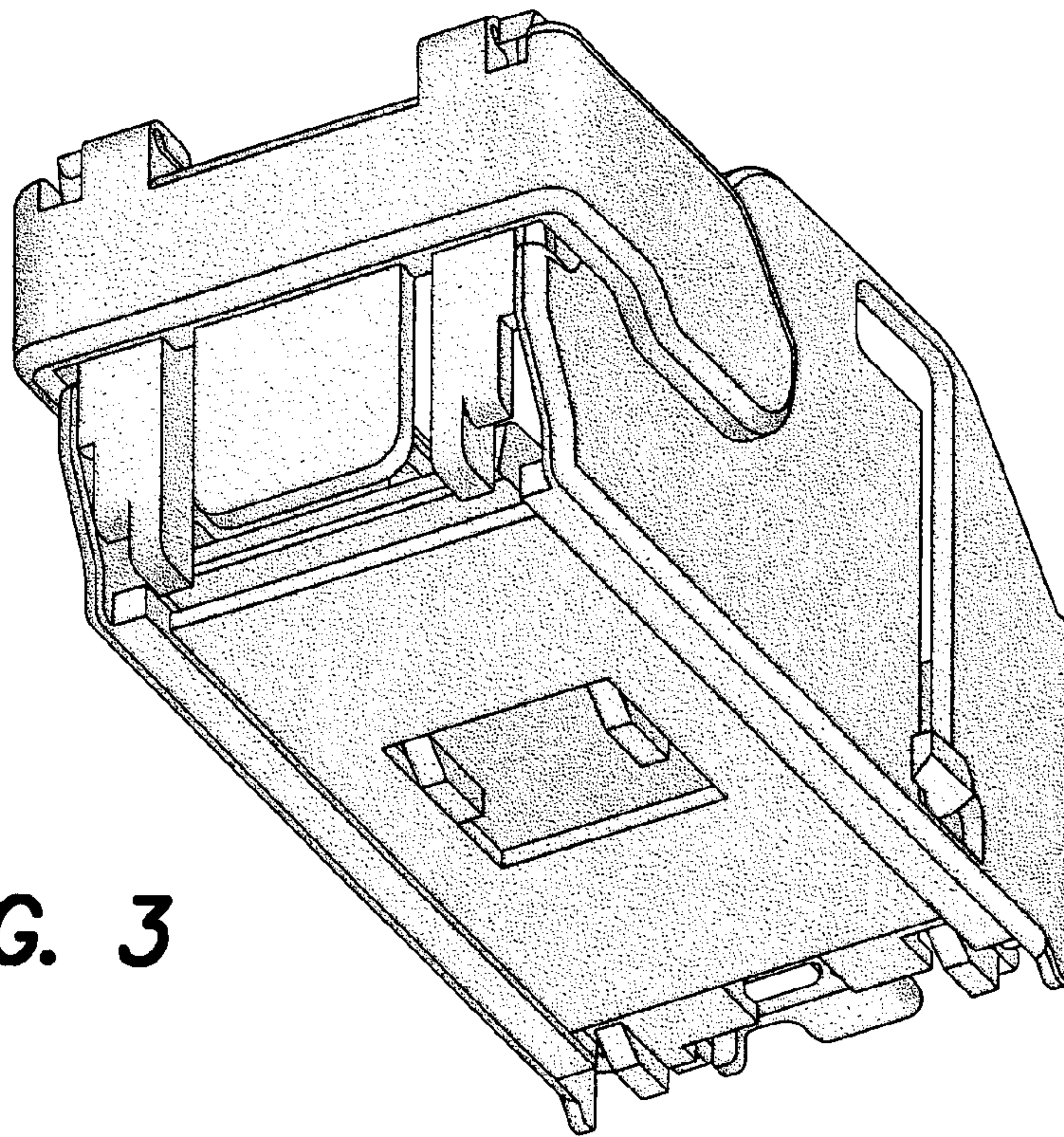


**FIG. 1**

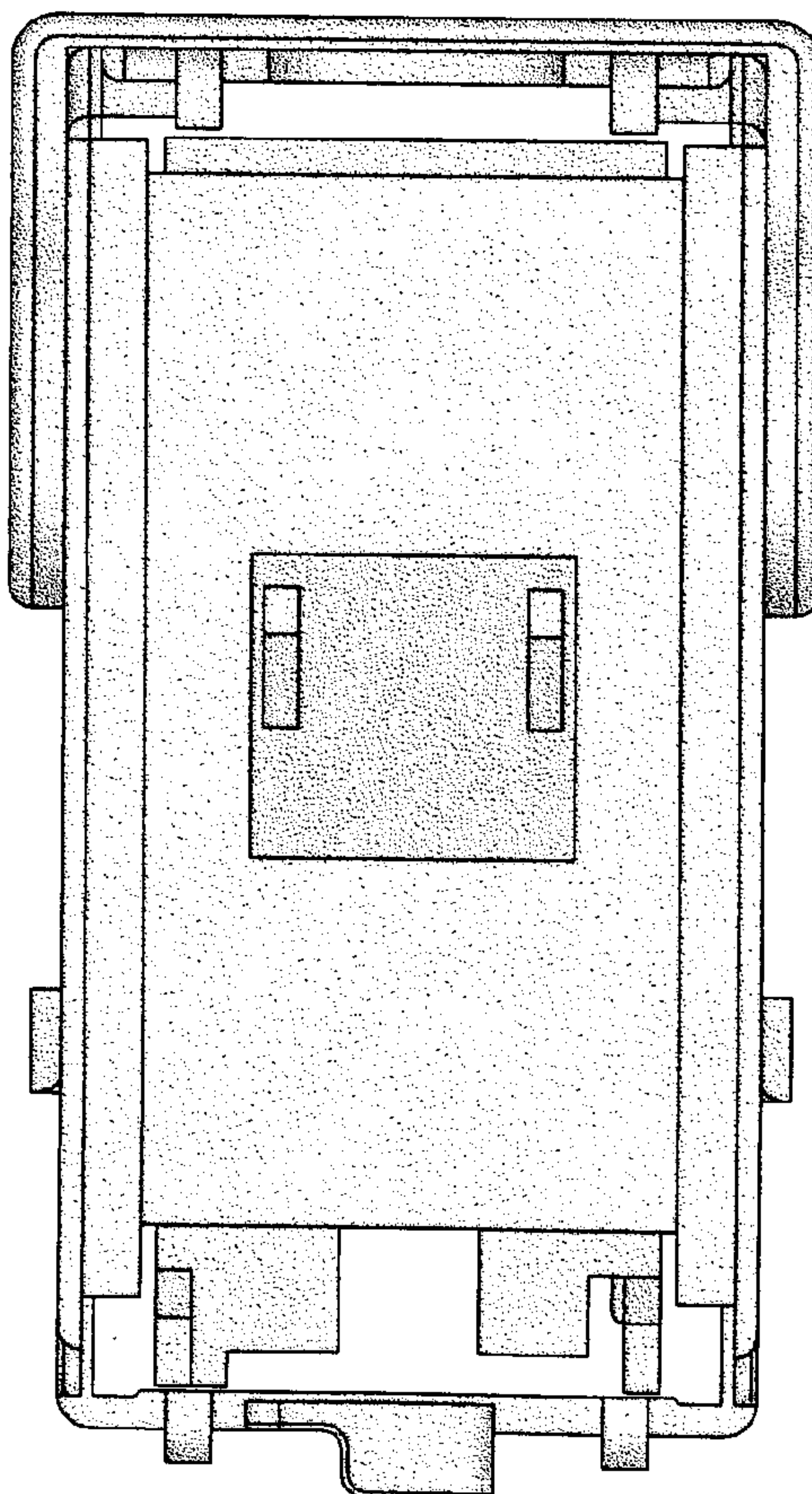


**FIG. 2**



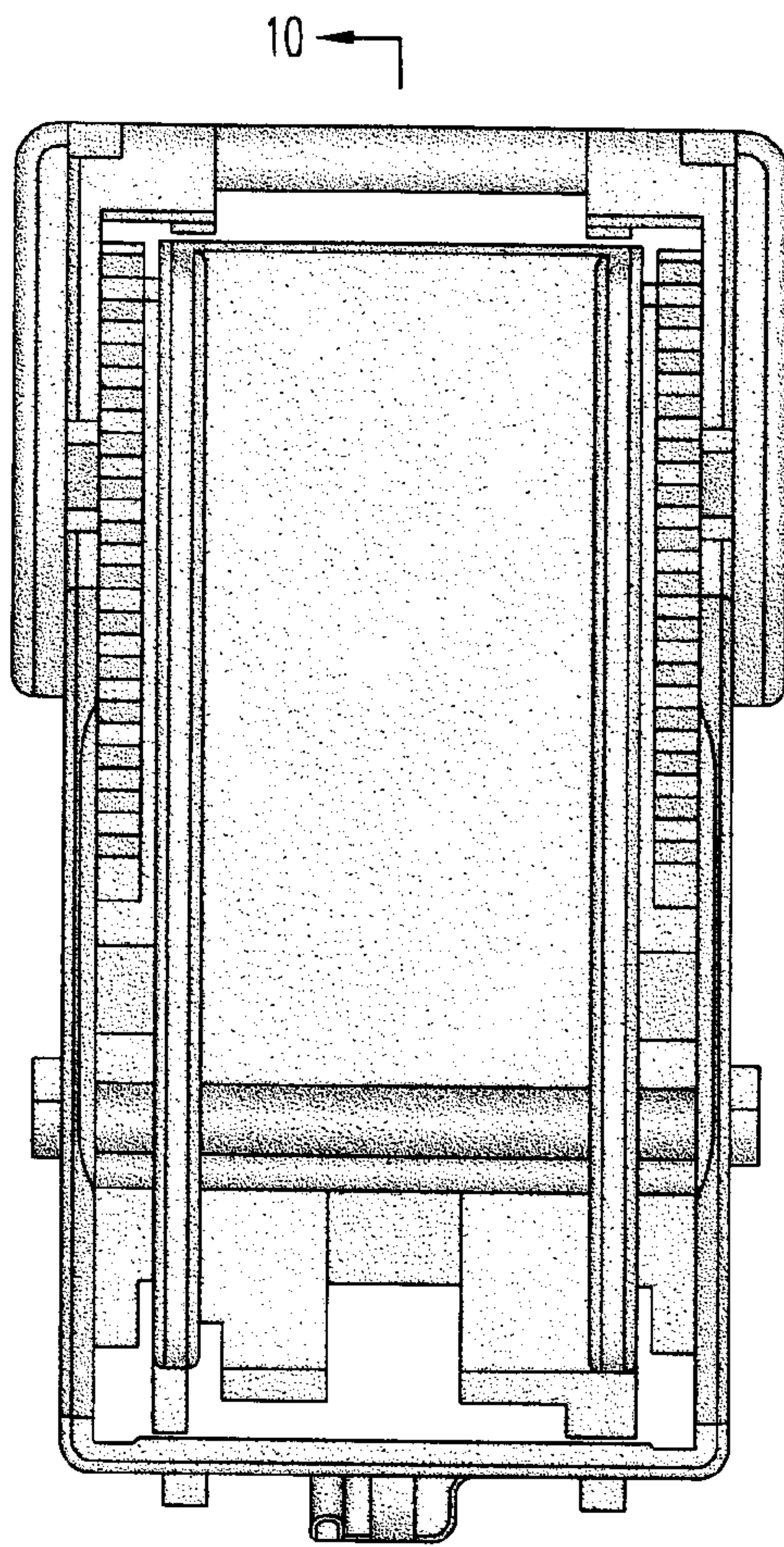


**FIG. 3**

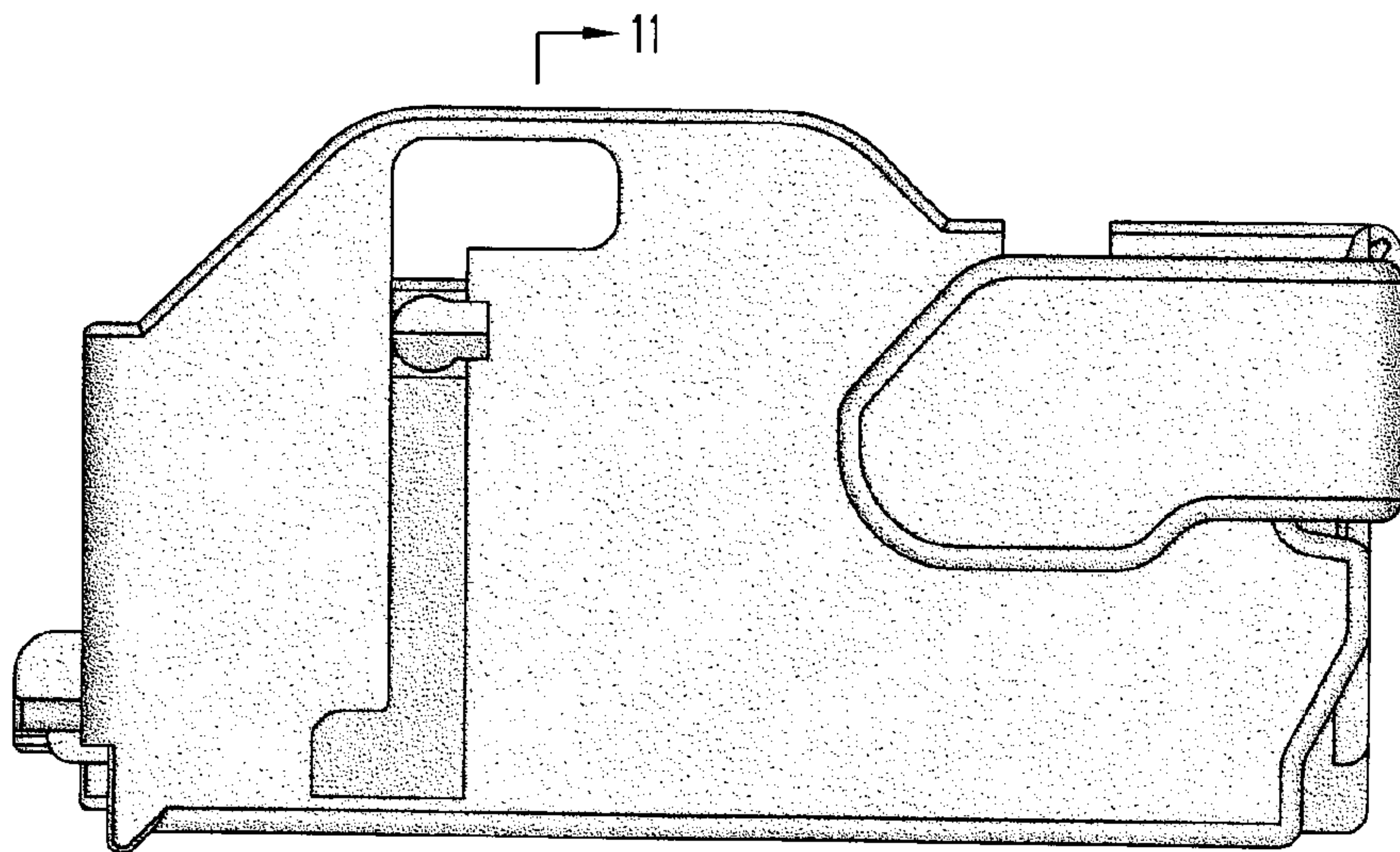


**FIG. 4**



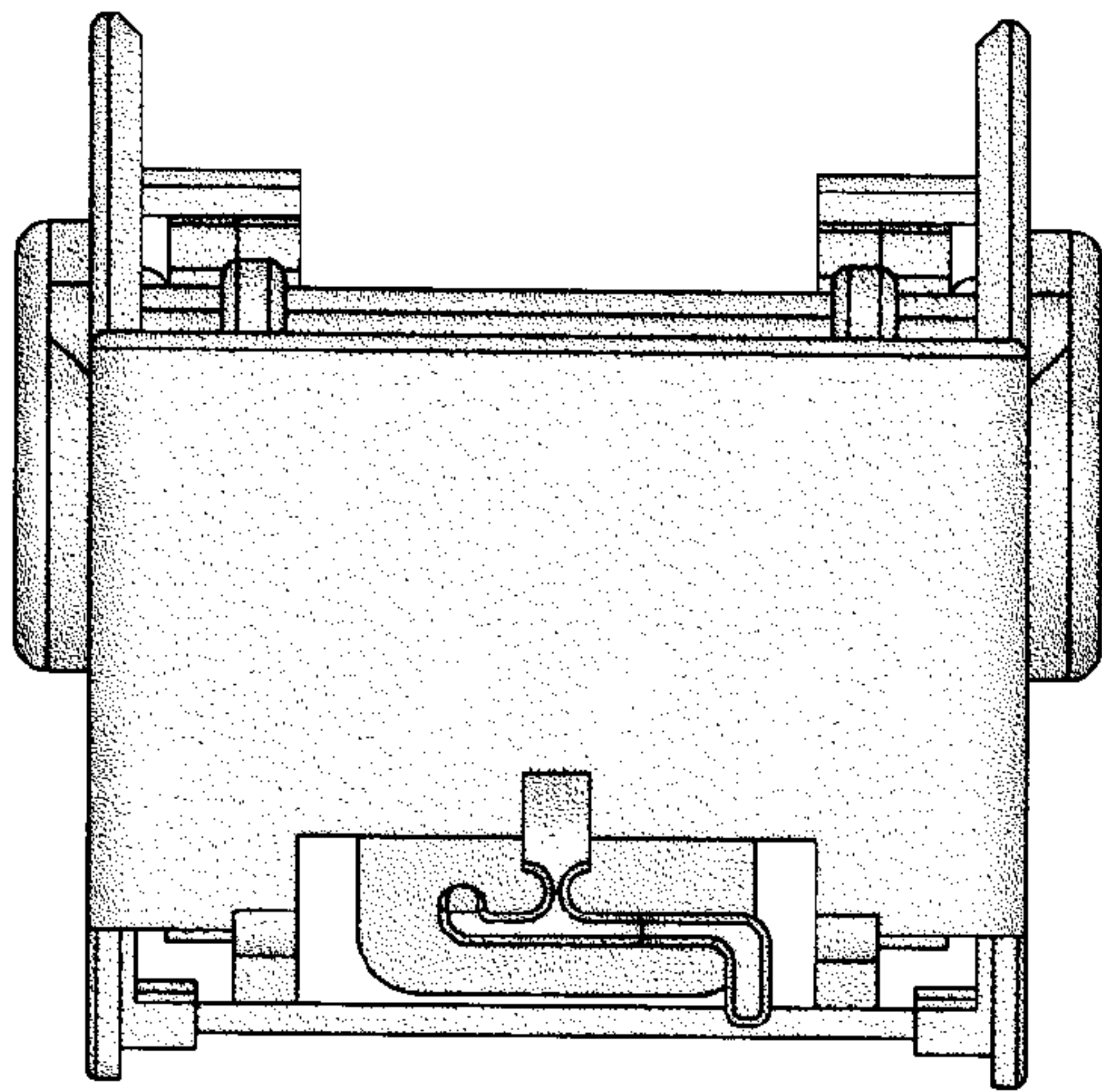


10  
**FIG. 5**

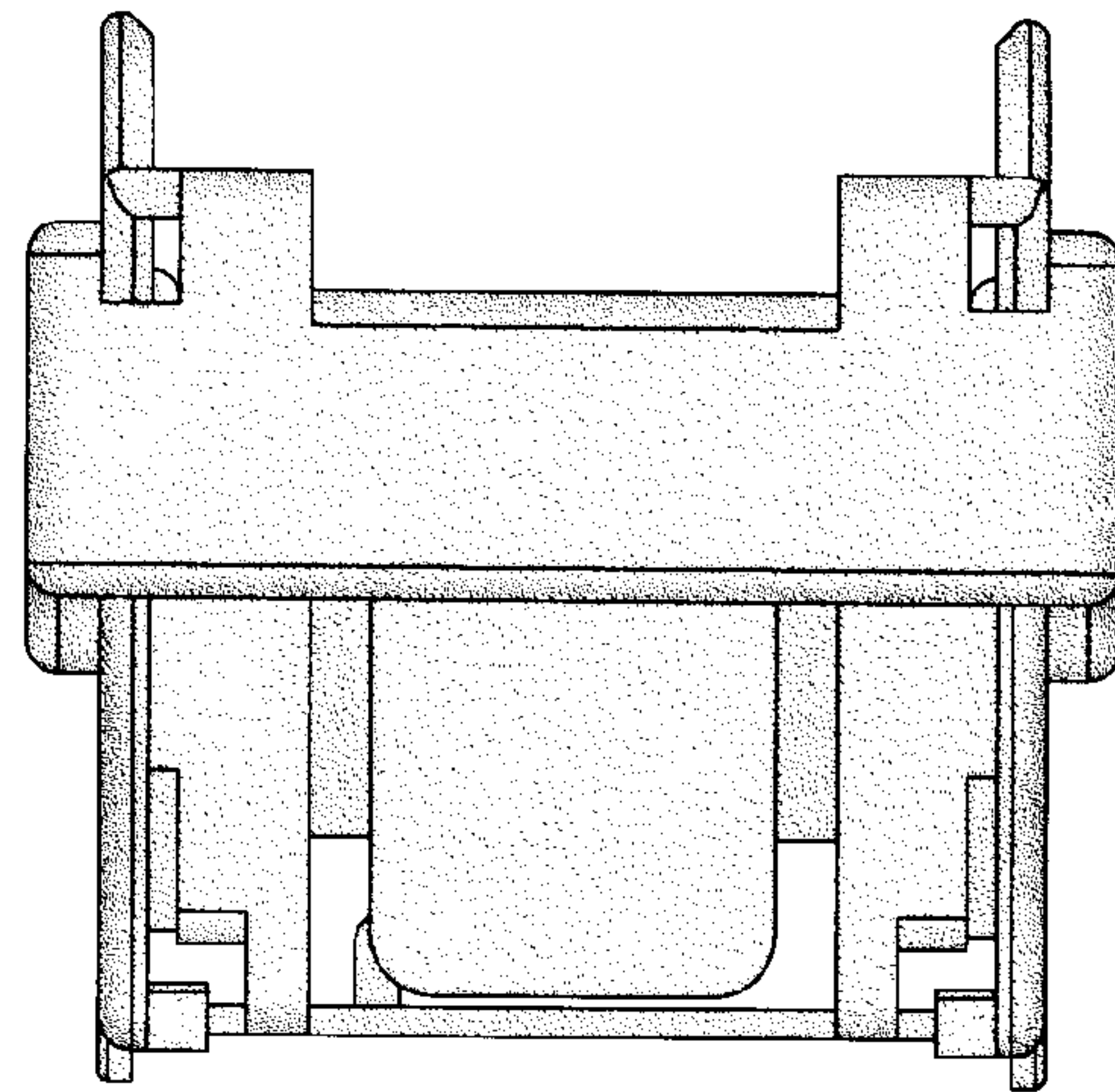


11  
**FIG. 6**

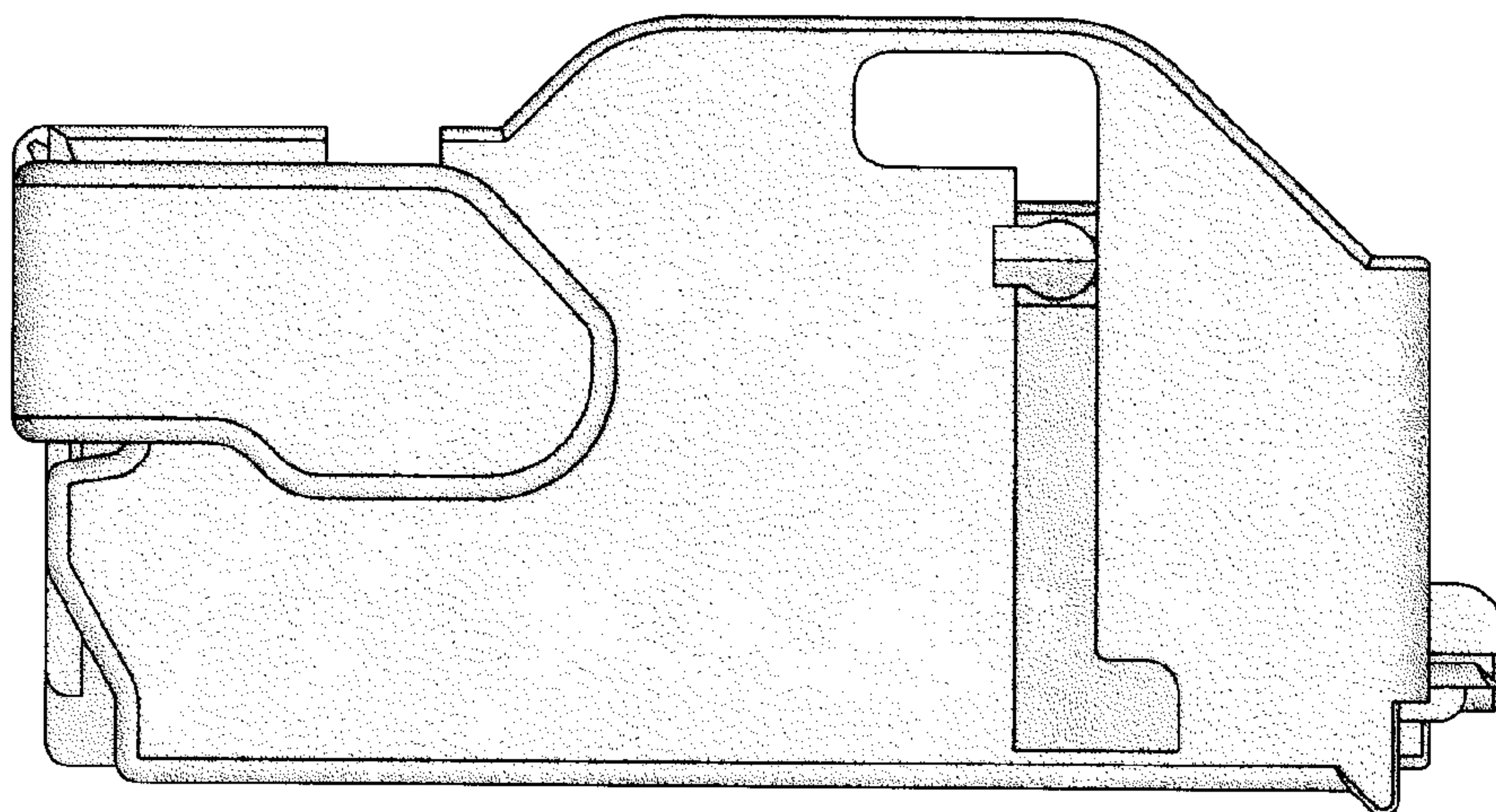




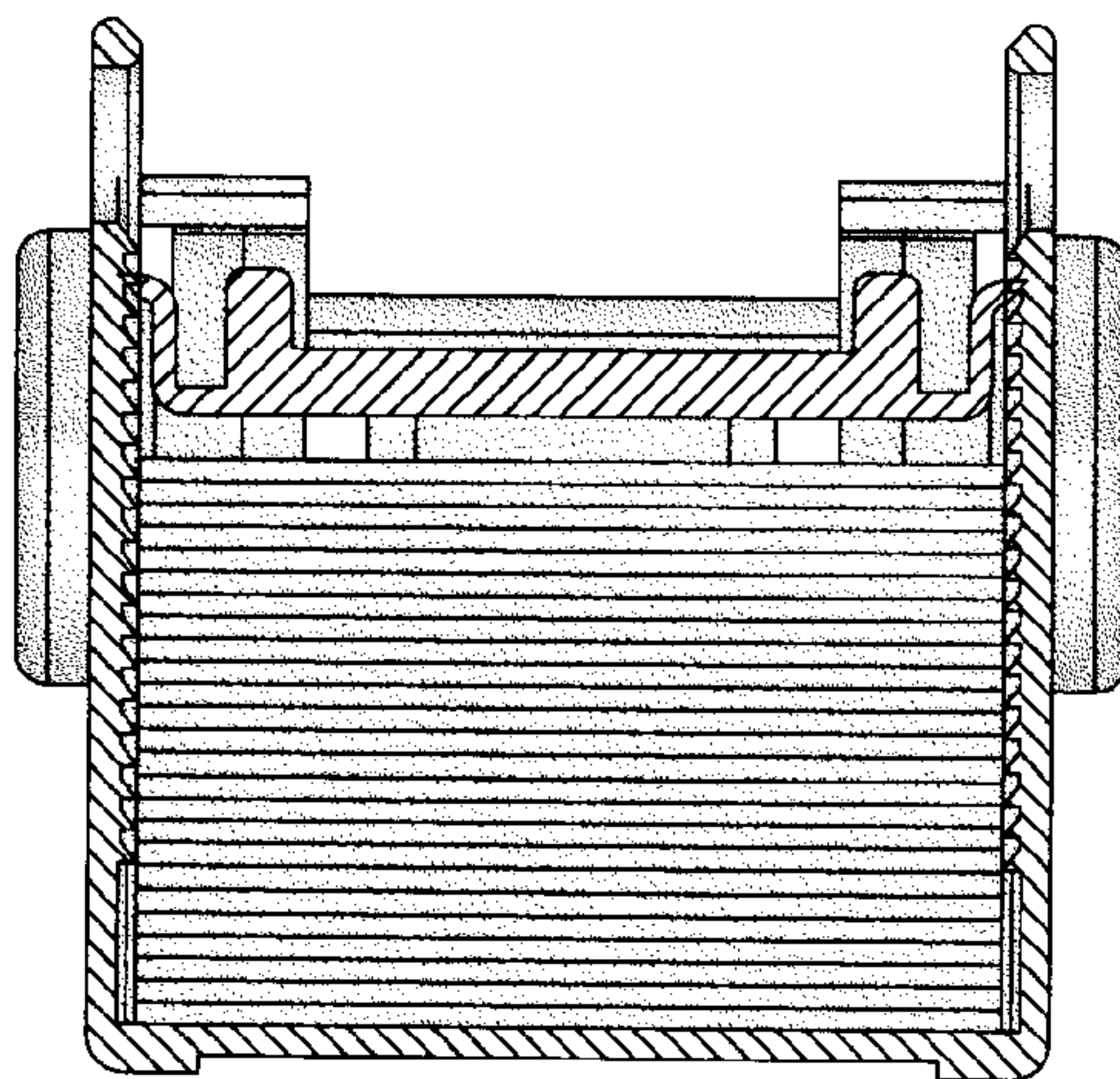
**FIG. 8**



**FIG. 9**

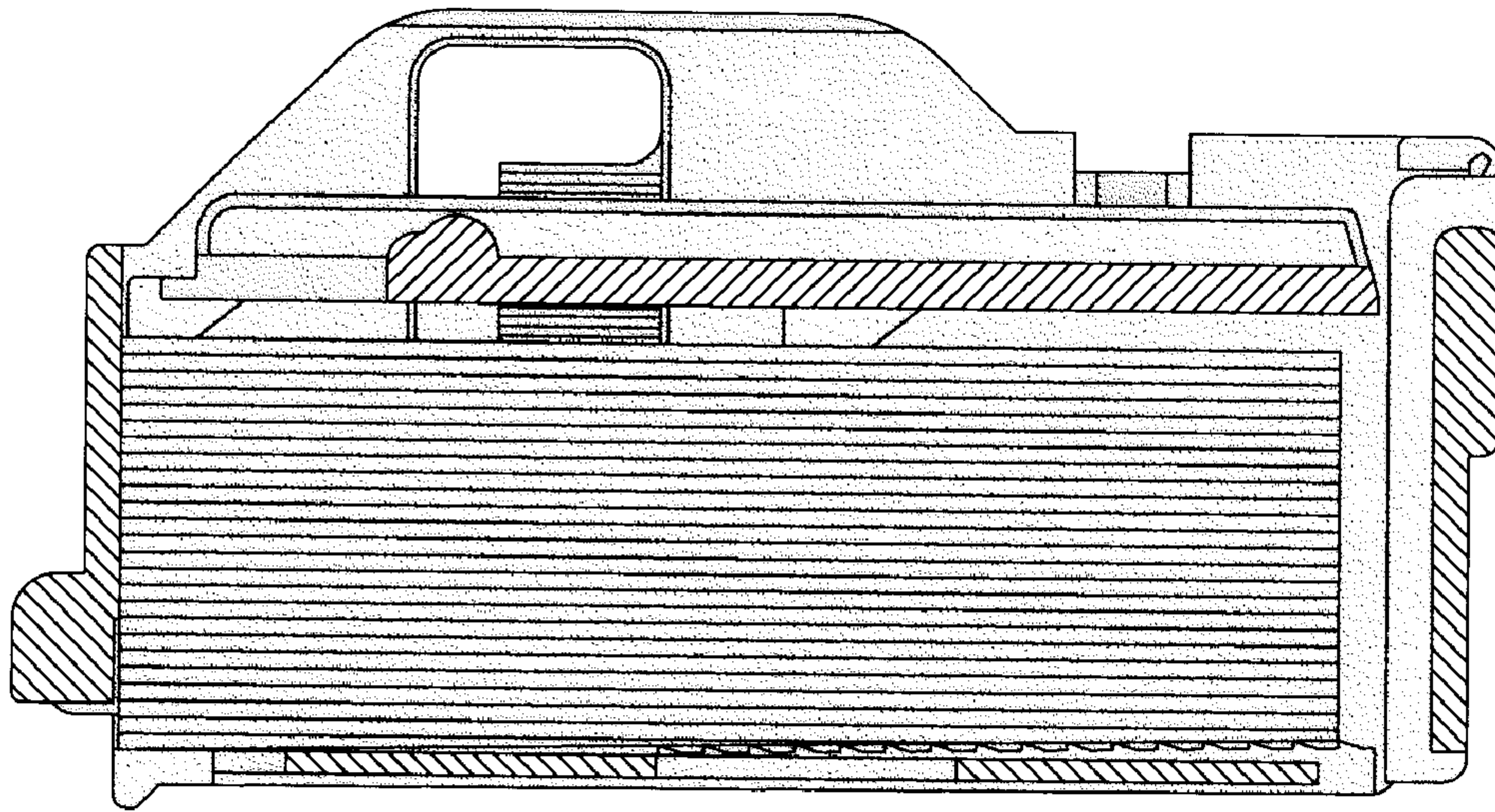


**FIG. 7**

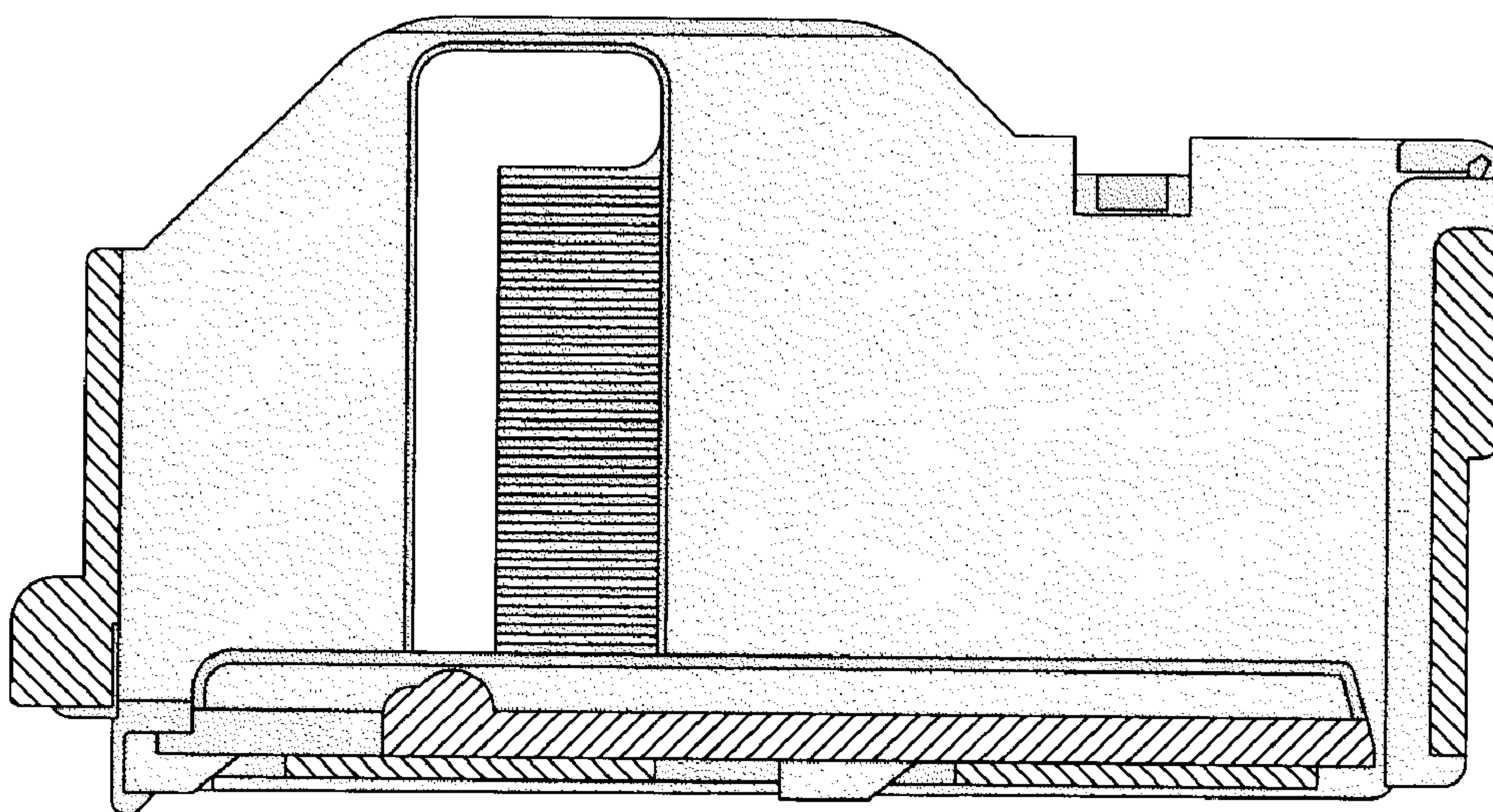


**FIG. 10**





**FIG. 11**



**FIG. 12**