



US00D512886S

(12) **United States Design Patent**  
**Christensen**

(10) **Patent No.:** **US D512,886 S**  
(45) **Date of Patent:** **\*\* Dec. 20, 2005**

(54) **OIL FILTER REMOVAL NUT**

(76) **Inventor:** **Arthur E. Christensen**, 1316 Dulaney Valley Rd., Towson, MD (US) 21286

(\*\*) **Term:** **14 Years**

(21) **Appl. No.:** **29/204,240**

(22) **Filed:** **Apr. 27, 2004**

(51) **LOC (6) Cl.** ..... **08-05**

(52) **U.S. Cl.** ..... **D8/14; D8/397**

(58) **Field of Search** ..... **D8/14, 21, 397; 411/427, 429, 432, 418**

(56) **References Cited**

**U.S. PATENT DOCUMENTS**

- 111,996 A \* 2/1871 Washbourne ..... 411/427
- D28,212 S \* 1/1898 Biedenfeld ..... D8/397
- 3,501,995 A \* 3/1970 Lanius, Jr. .... 411/437
- D452,429 S \* 12/2001 Shinjo et al. .... D8/397
- D459,207 S \* 6/2002 Miyata ..... D8/397

**FOREIGN PATENT DOCUMENTS**

JP 2004-28816 \* 1/2004

**OTHER PUBLICATIONS**

AU 124481 S (BHP Engineering PTY Ltd) Aug. 28, 1996 [online] [retrieved on Jun. 1, 2005]. Retrieved from Australian Patent Database.\*

\* cited by examiner

*Primary Examiner*—Holly H. Baynham

(74) *Attorney, Agent, or Firm*—Armstrong, Kratz, Quintos, Hanson & Brooks, LLP

(57) **CLAIM**

The ornamental appearance of an oil filter removal nut, substantially as shown and described.

**DESCRIPTION**

FIG. 1 is a top plan view of an article adapted to be secured to a disposable oil filter to facilitate the removal thereof.

FIG. 2 is a bottom plan view thereof.

FIG. 3 front elevational view thereof with the rear elevational view being mirror image thereof;

FIG. 4 is a right side elevational view thereof with the left side being a mirror image;

FIG. 5 is a cross-sectional view thereof, taken along the lines 5—5 of FIG. 1, and showing the blind square cross-sectioned bore in the article.

FIG. 6 is a top plan view of a second embodiment of the design shown in FIG. 1;

FIG. 7 is a cross-sectional view thereof, taken along the lines 7—7 of FIG. 6, corresponding substantially to that of FIG. 5, and showing the through square hole in the article.

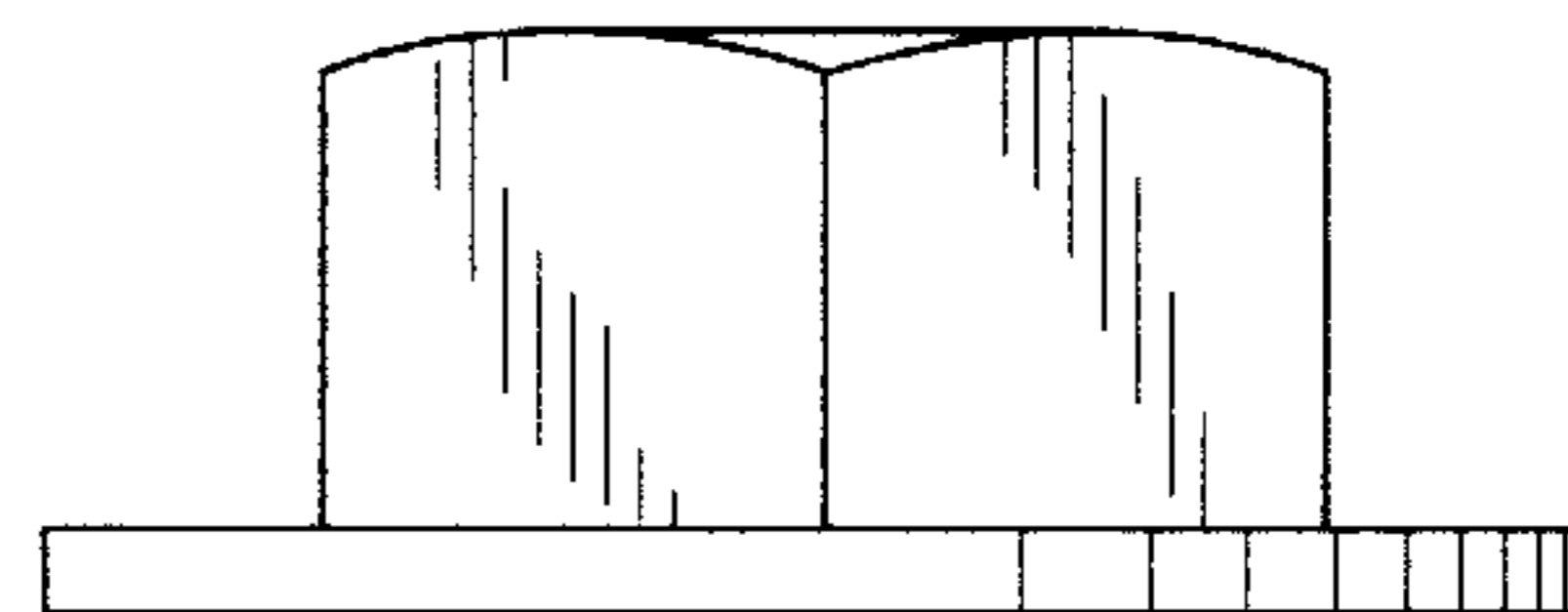
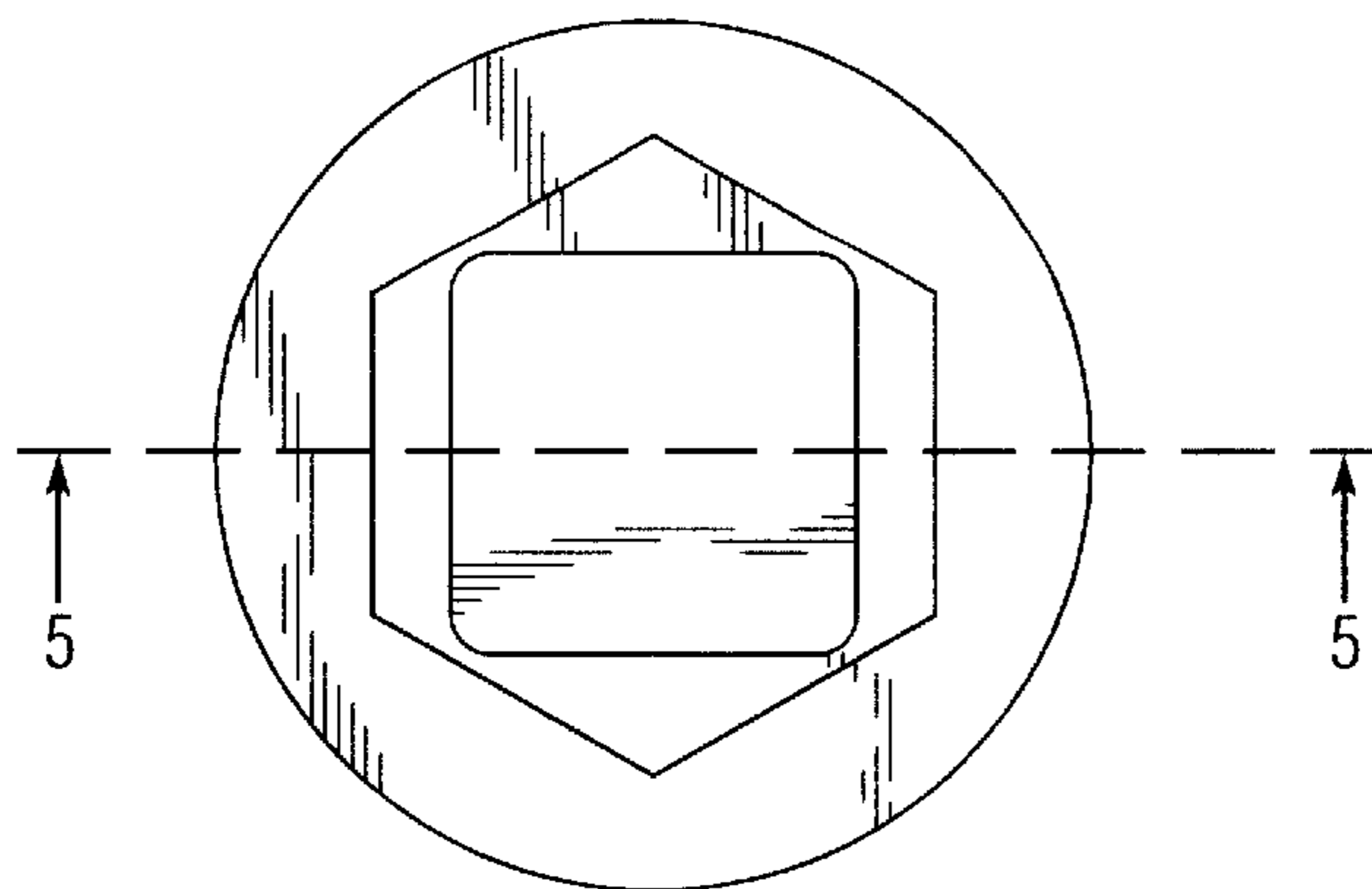
FIG. 8 is a partial elevation/partial sectional view of a third embodiment of the design shown in FIG. 1;

FIG. 9 is a reduced scale elevational view with the broken line showing of an oil filter being for illustrative purposes and forming no part of the claimed design;

FIG. 10 is an enlarged elevational view corresponding to that of FIG. 9 with the broken line showing of a fragmented ratchet and oil filter being for illustrative purposes and forming no part of the claimed design; and,

FIG. 11 elevational view corresponding to FIG. 10 showing an alternate environment with the broken line showing of a fragmented wrench and oil filter being for illustrative purposes only and forming no part of the claimed design.

**1 Claim, 3 Drawing Sheets**



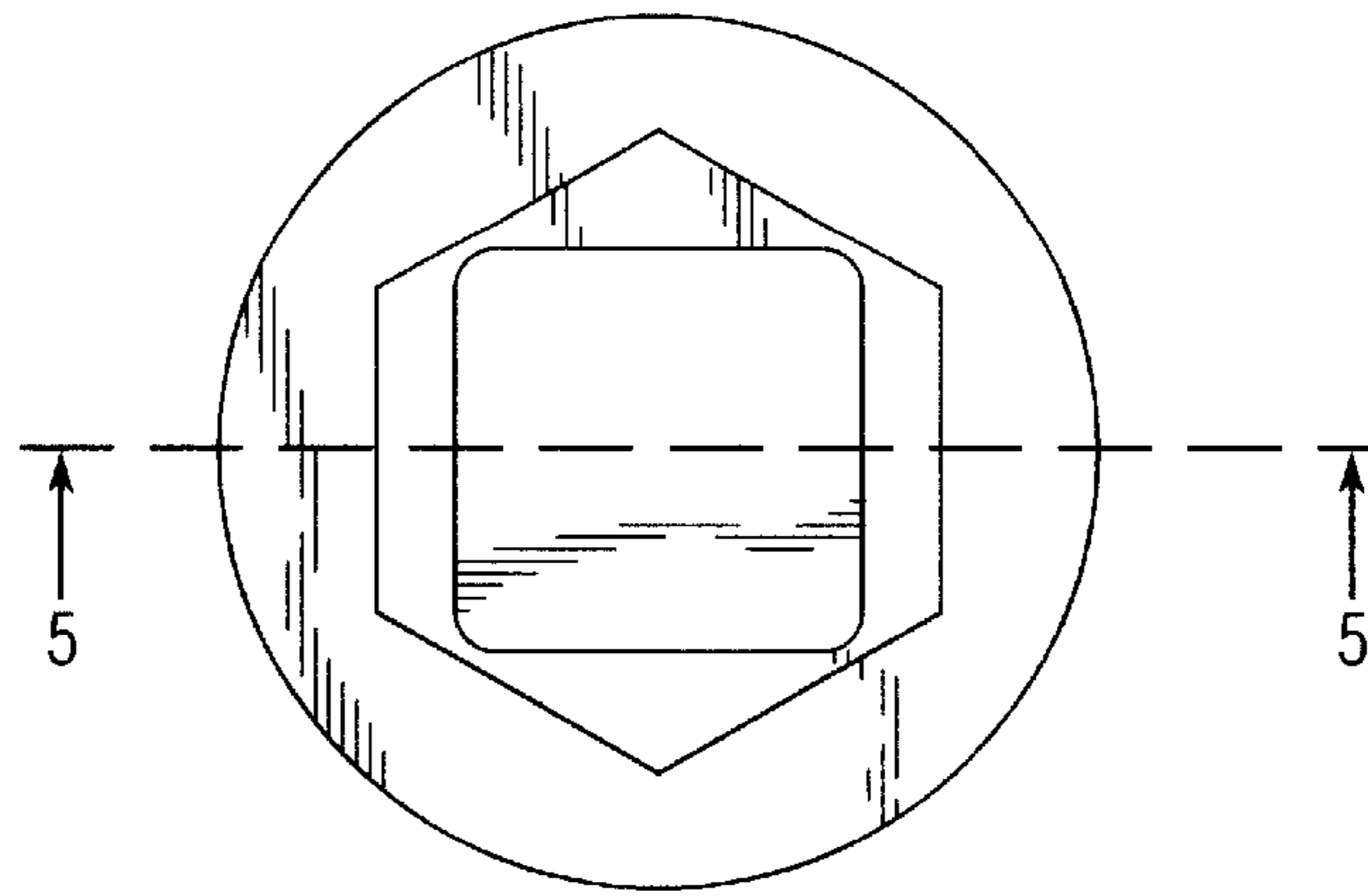


Fig. 1

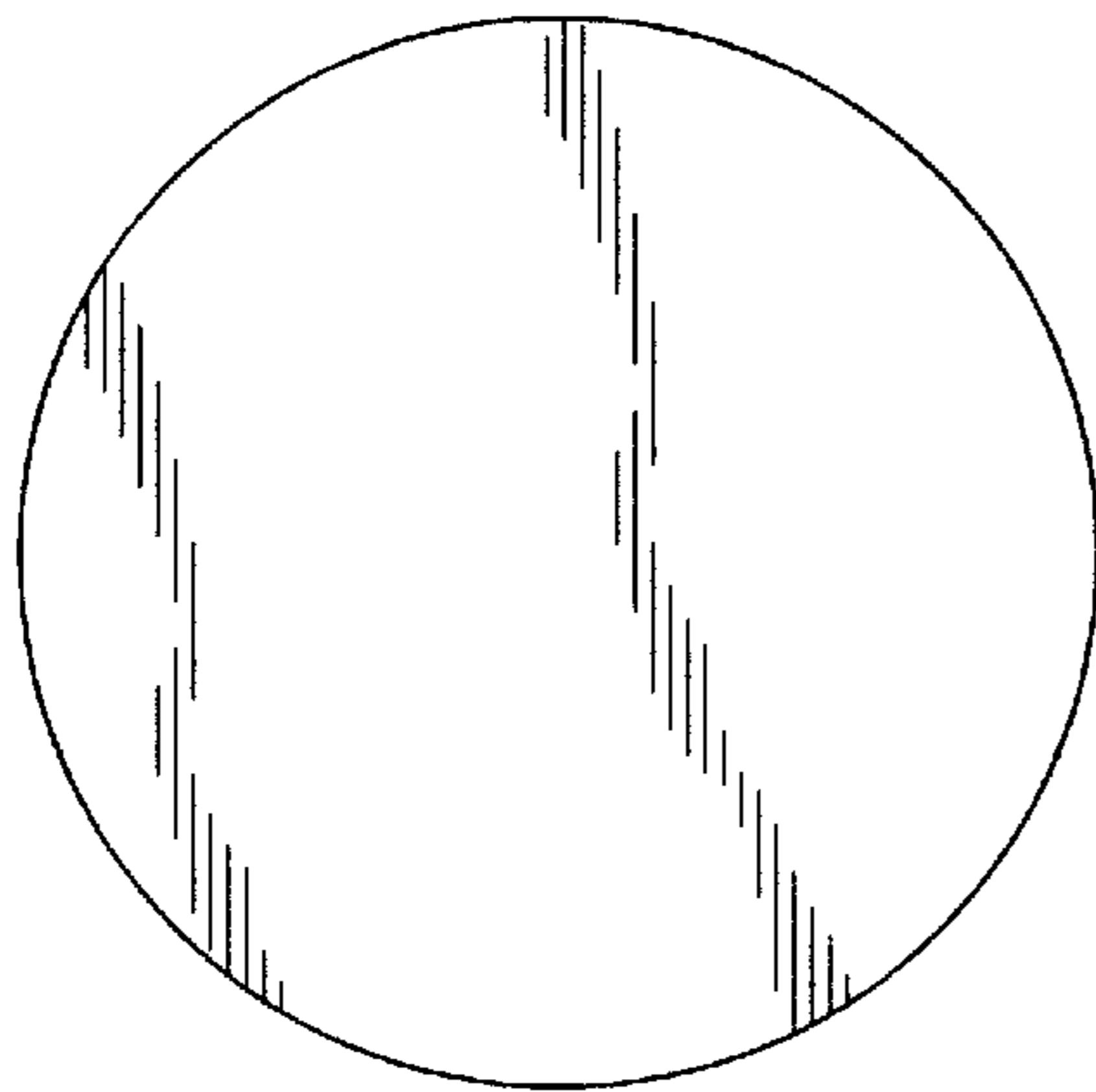


Fig. 2

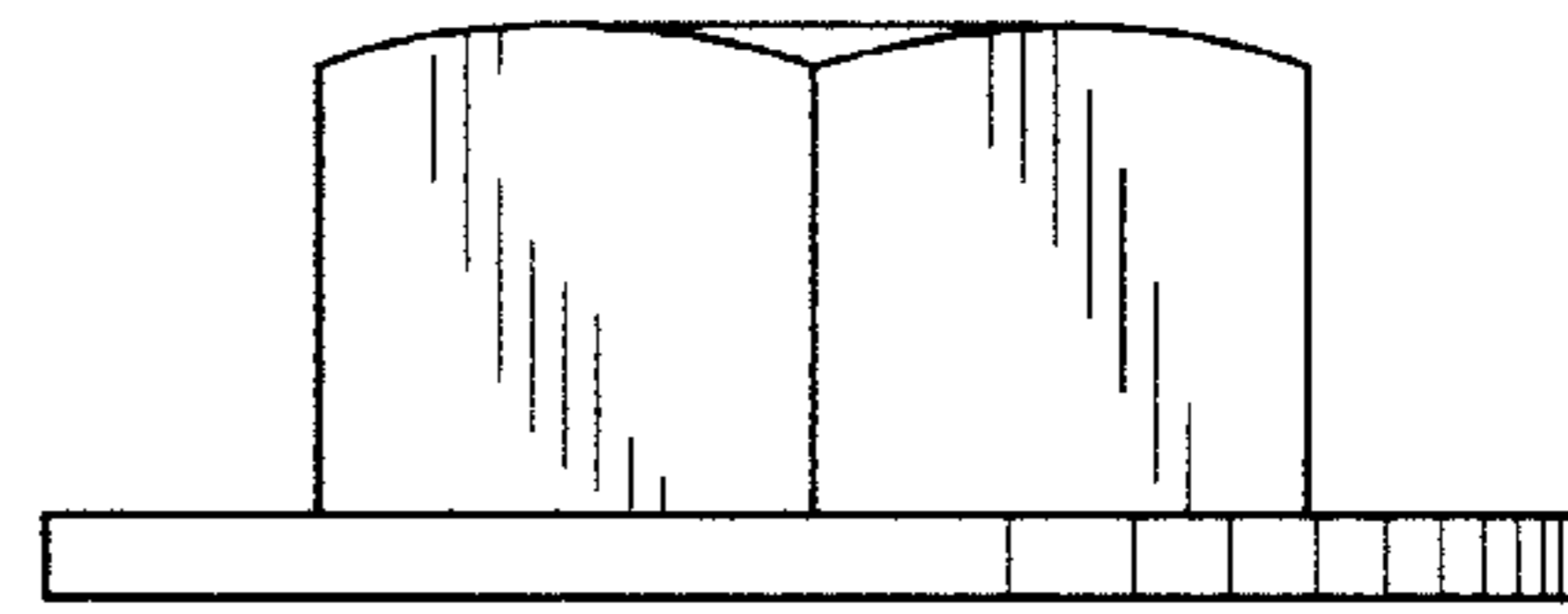


Fig. 3

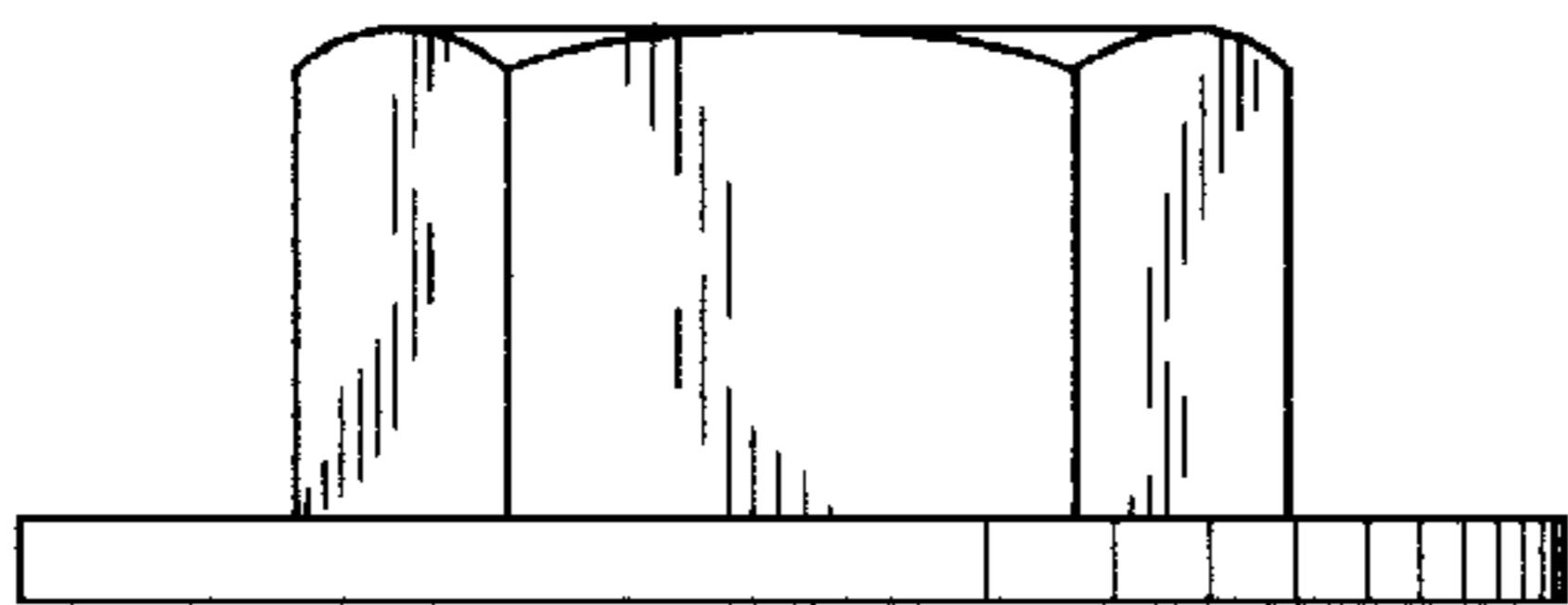


Fig. 4

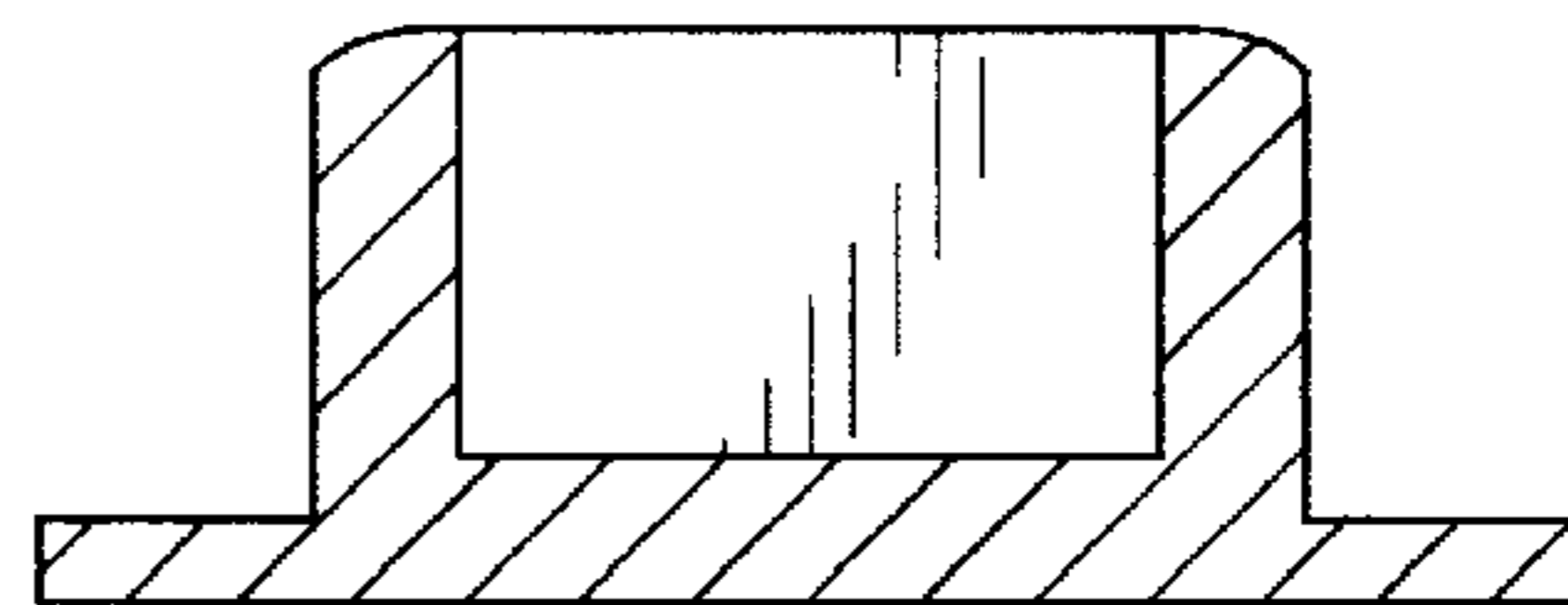


Fig. 5

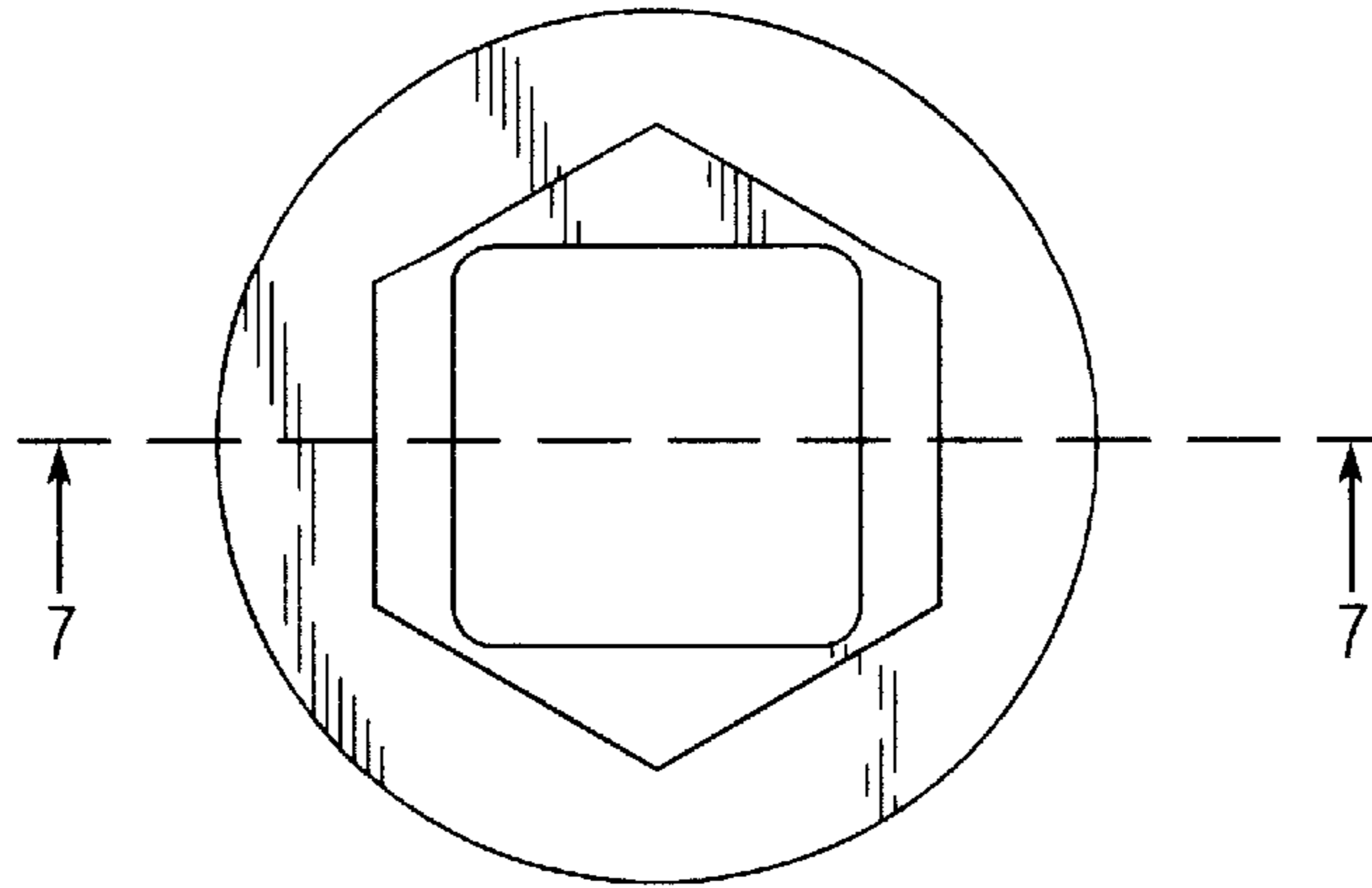


Fig. 6

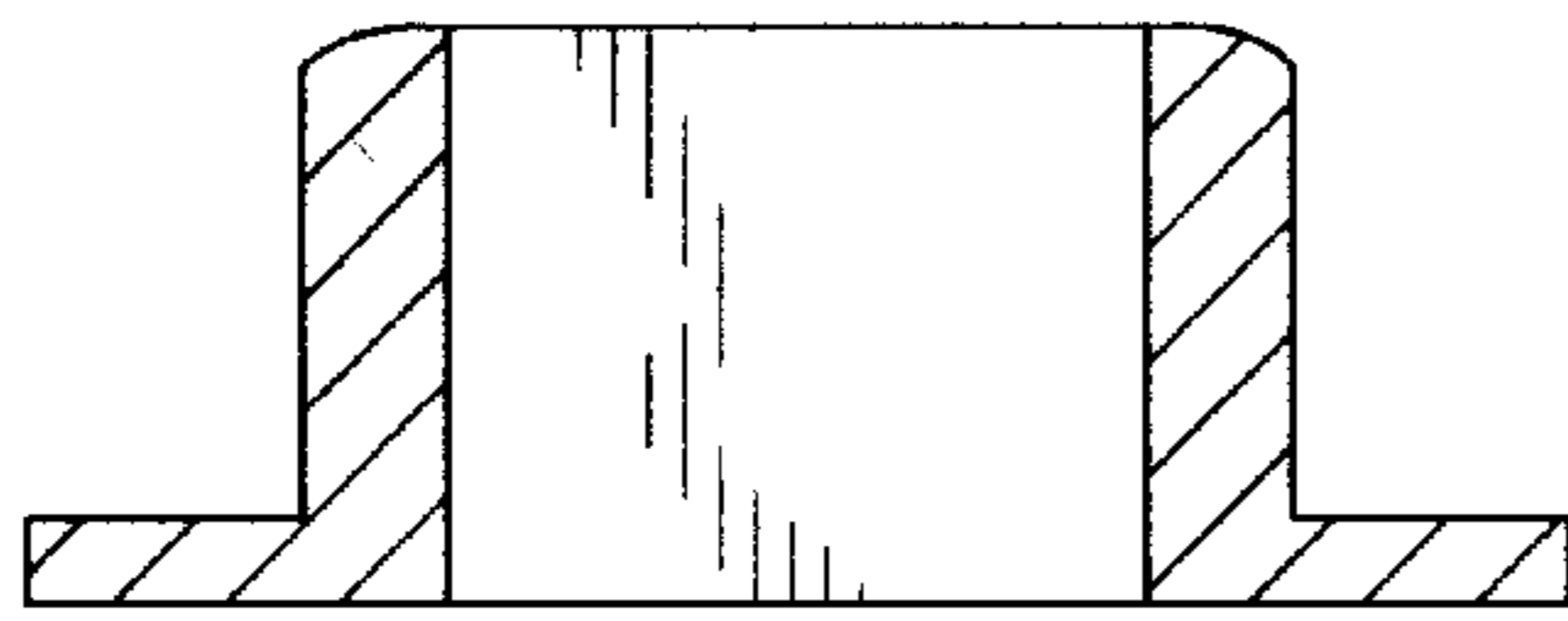


Fig. 7

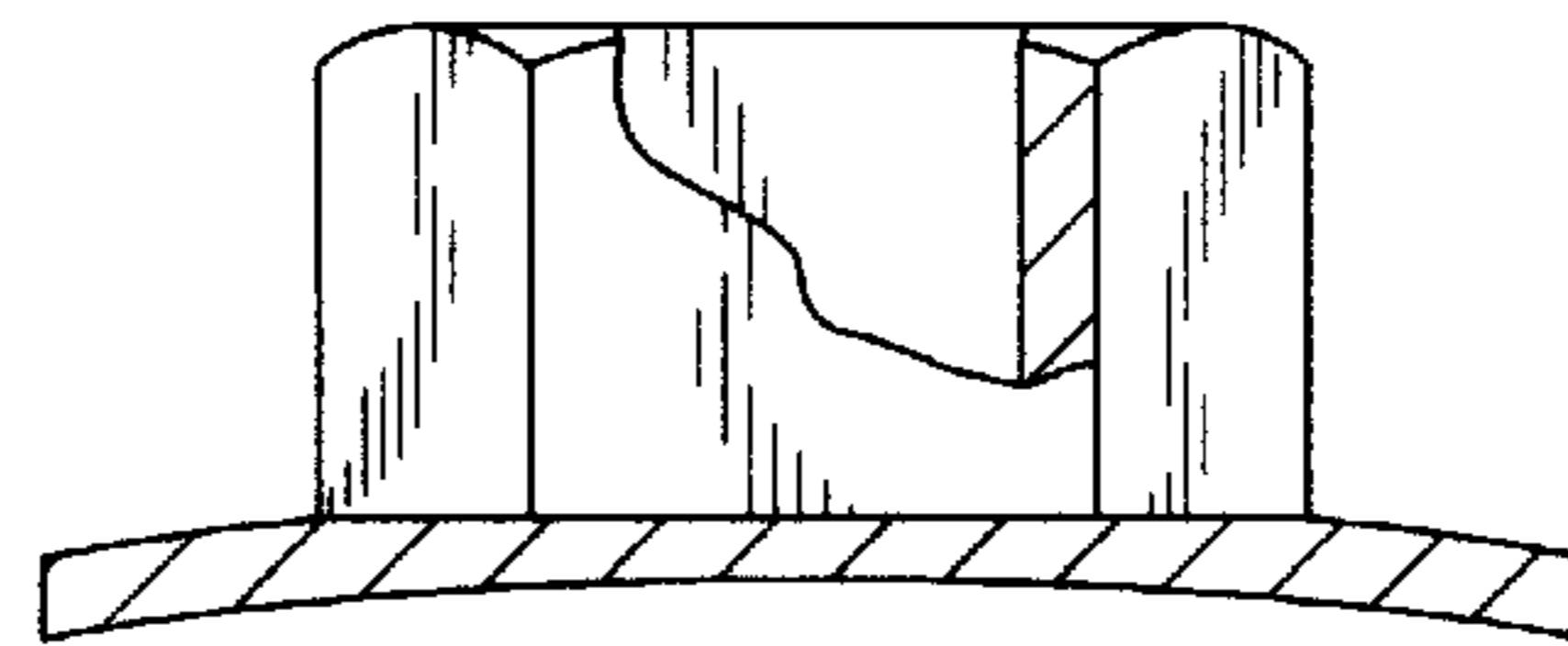
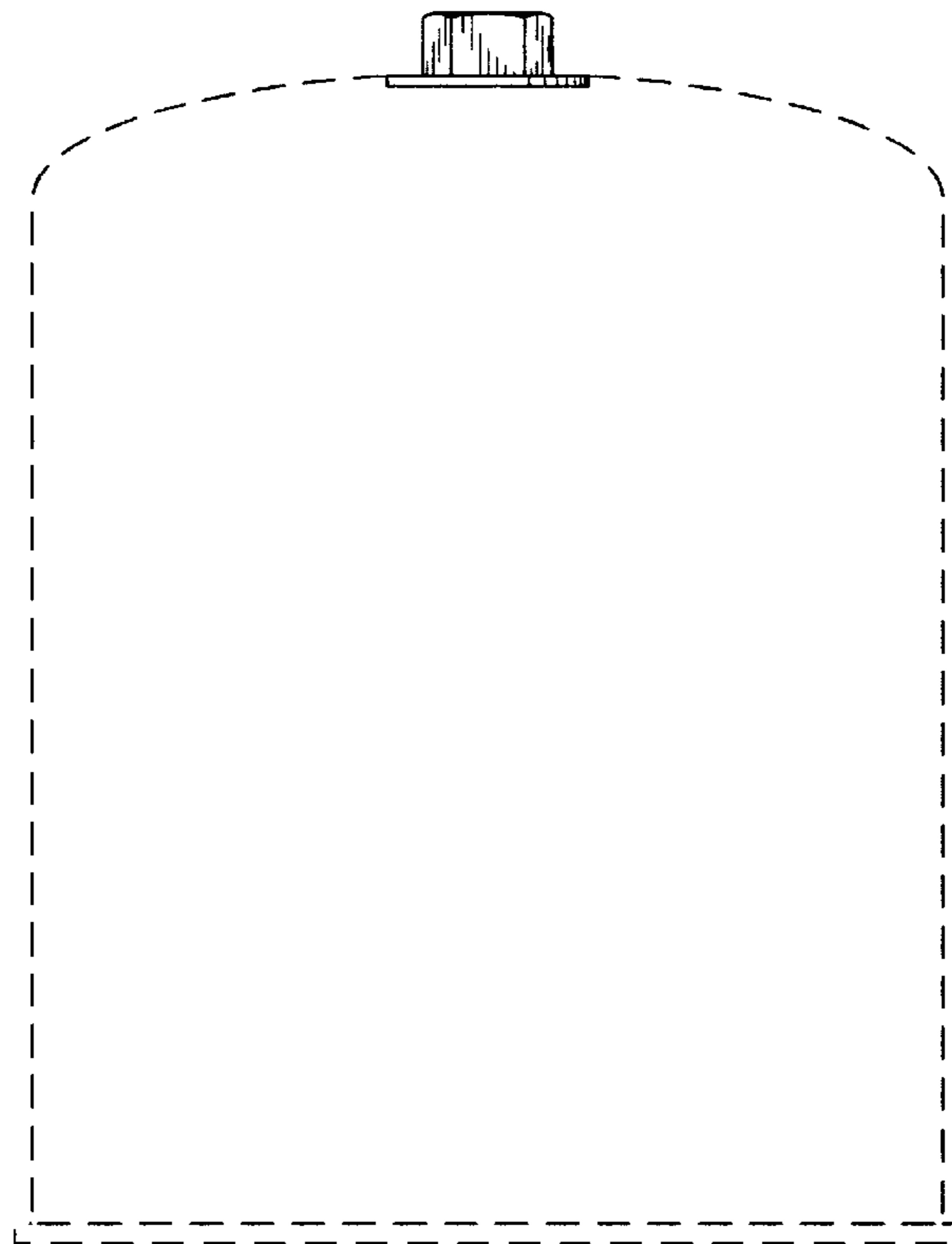


Fig. 8

Fig. 9



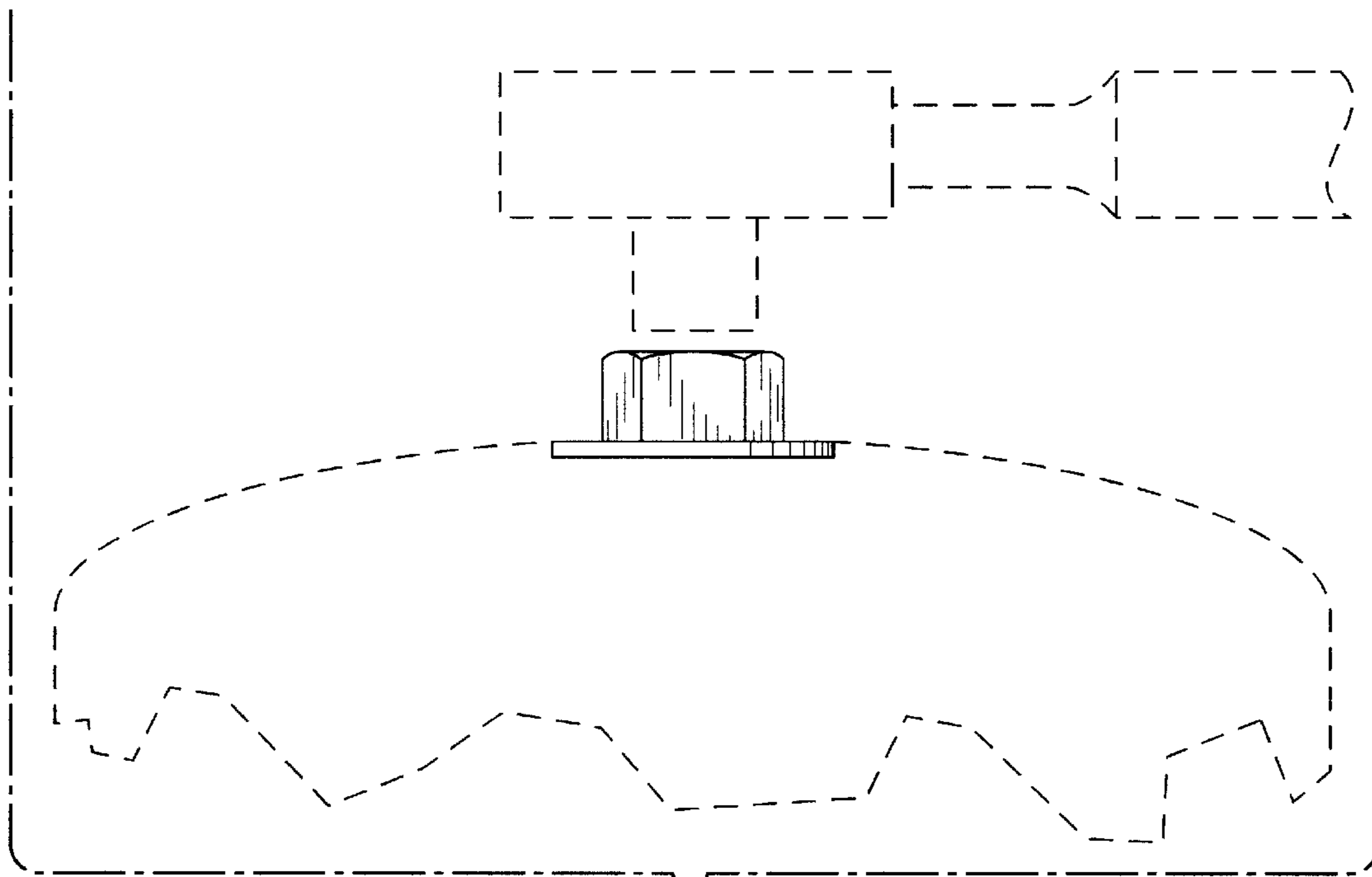


Fig. 10

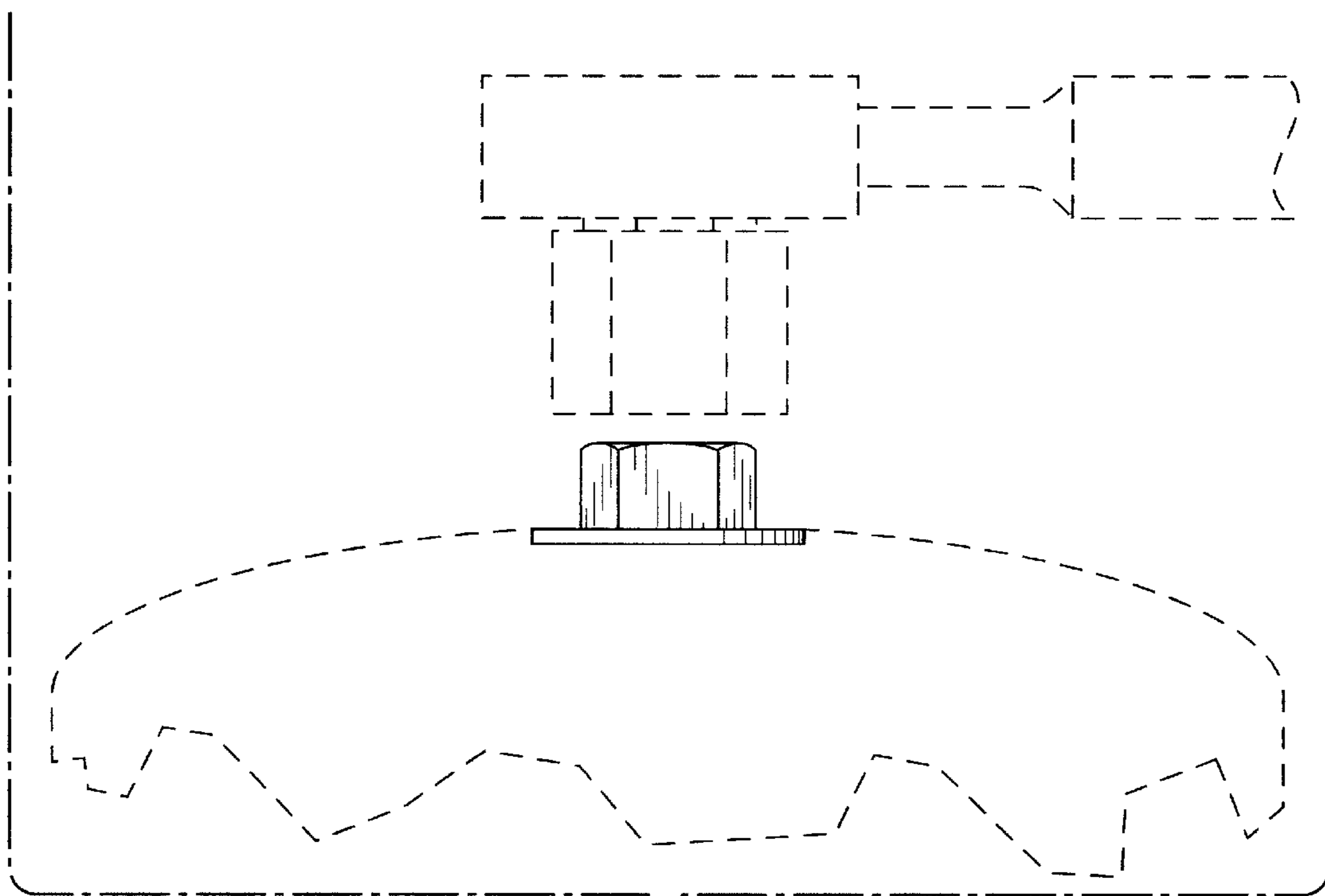


Fig. 11