



US00D512884S

(12) **United States Design Patent**
Wall et al.

(10) **Patent No.: US D512,884 S**
(45) **Date of Patent: ** Dec. 20, 2005**

(54) **WIENER COOKING DEVICE**
(76) Inventors: **Reginald G. Wall**, 2905 Victoria Street,
Abbotsford, British Columbia (CA);
Anne M. Wall, 2905 Victoria Street,
Abbotsford, British Columbia (CA)

(**) Term: **14 Years**

(21) Appl. No.: **29/212,561**

(22) Filed: **Sep. 3, 2004**

(51) **LOC (6) Cl. 07-06**

(52) **U.S. Cl. D7/683**

(58) **Field of Search** D7/683, 684, 669,
D7/368; 30/322, 323; 99/419, 441, 421 A;
294/50, 55.5

(56) **References Cited**

U.S. PATENT DOCUMENTS

D161,756 S	*	1/1951	Hunter	D7/683
2,815,706 A	*	12/1957	Weinberger	99/419
4,176,592 A		12/1979	Doyle, Jr.		
4,324,174 A		4/1982	Conradt		
4,745,968 A	*	5/1988	Demos	99/419
4,982,657 A		1/1991	Ghenic		

5,067,241 A		11/1991	Goodman		
D359,880 S		7/1995	Fielding et al.		
D361,699 S		8/1995	McHugh		
D377,888 S	*	2/1997	Griffin	D7/683

* cited by examiner

Primary Examiner—Terry A. Wallace

(74) *Attorney, Agent, or Firm*—Donald R. Schoonover

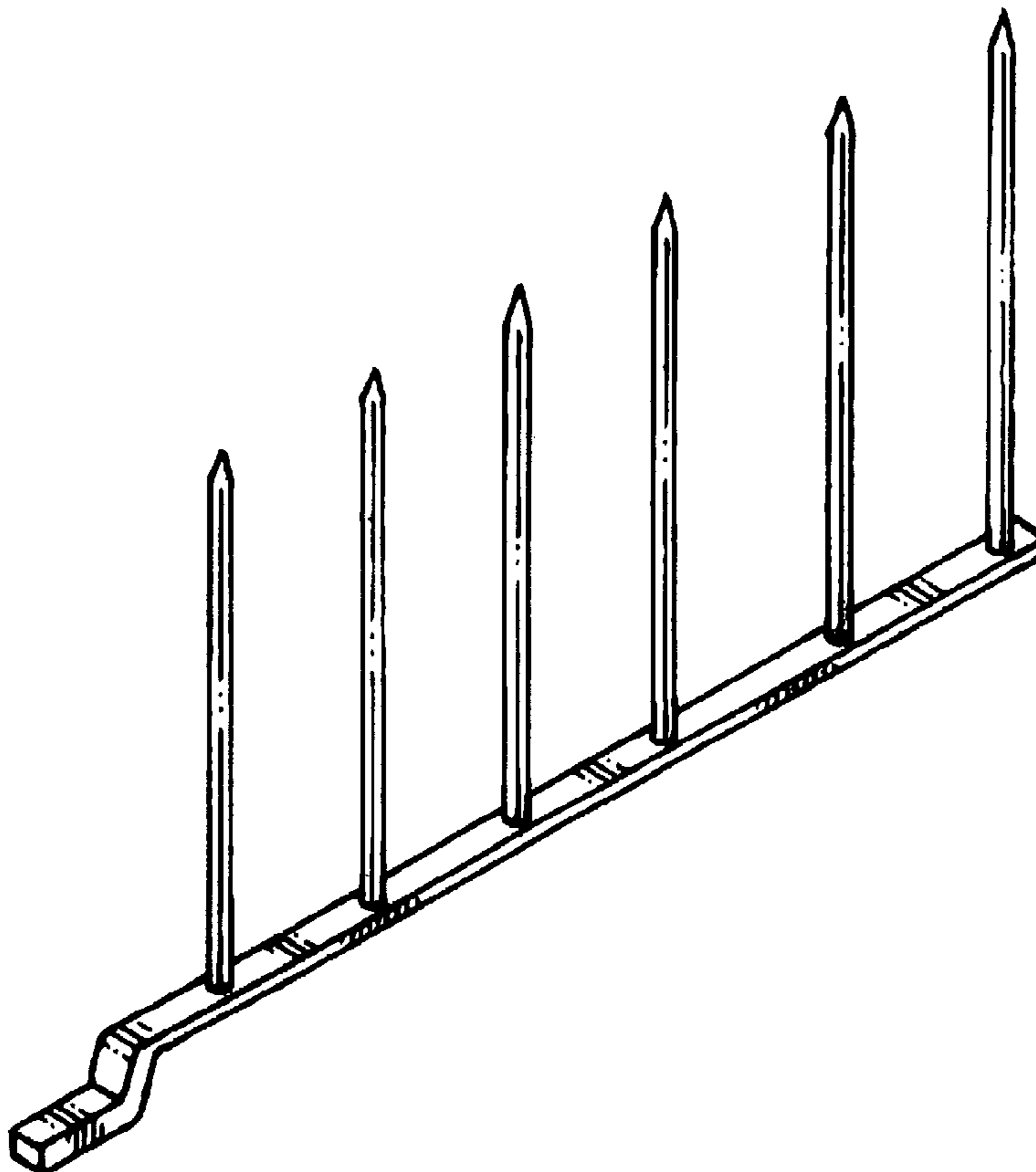
(57) **CLAIM**

We claim the ornamental design for a wiener cooking device, as shown and described.

DESCRIPTION

FIG. 1 is a perspective view of a wiener cooking device showing our new design;
 FIG. 2 is a side elevational view thereof, the elevational view of the opposing side being a mirror image thereof; the phantom lines depict environmental structure for illustrative purposes only and form no part of the claimed design;
 FIG. 3 is an end elevational view thereof;
 FIG. 4 is an elevational view of the opposing end thereof;
 FIG. 5 is a top plan view thereof; and,
 FIG. 6 is a bottom plan view thereof.

1 Claim, 3 Drawing Sheets



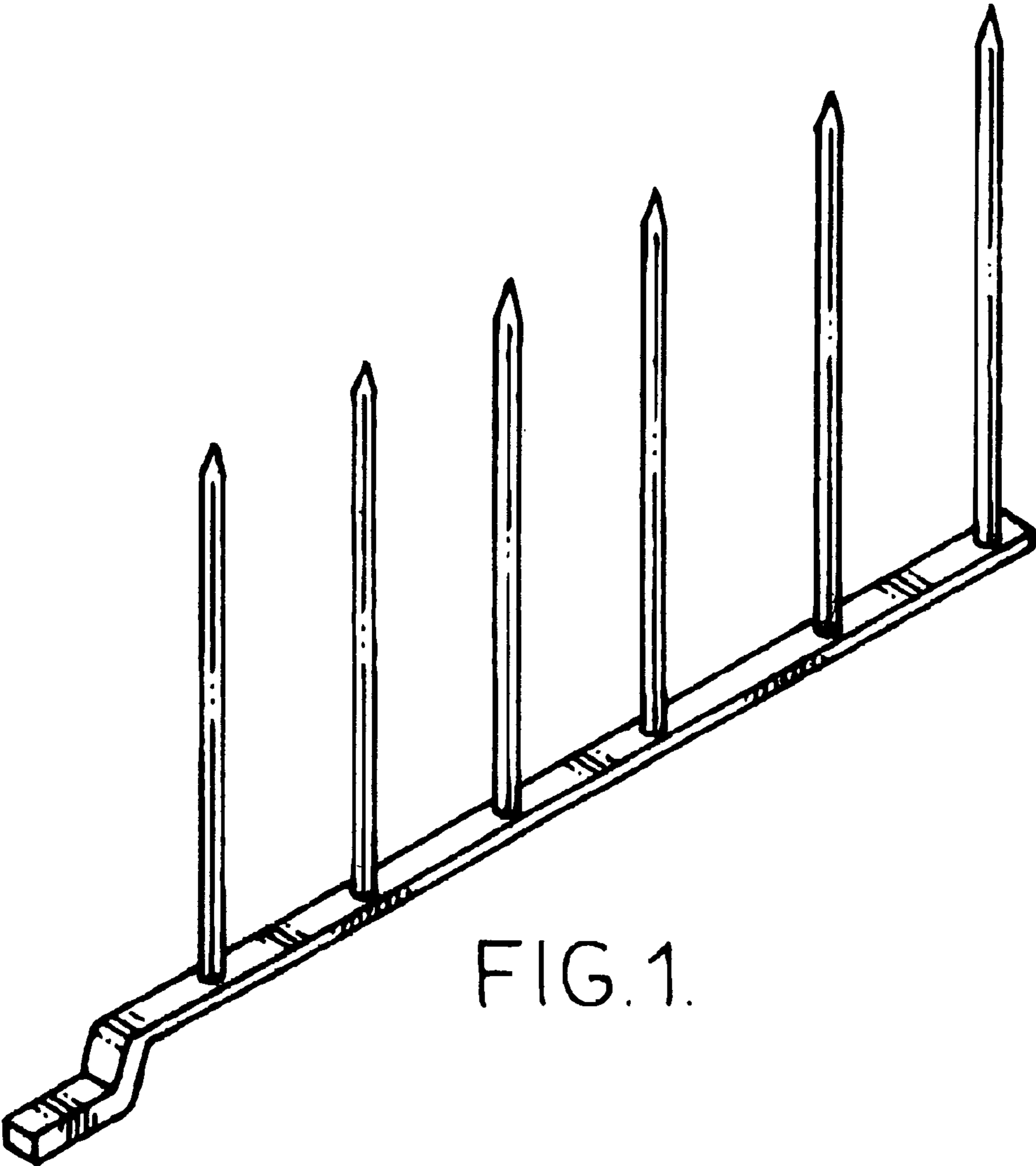


FIG. 1.

FIG. 3

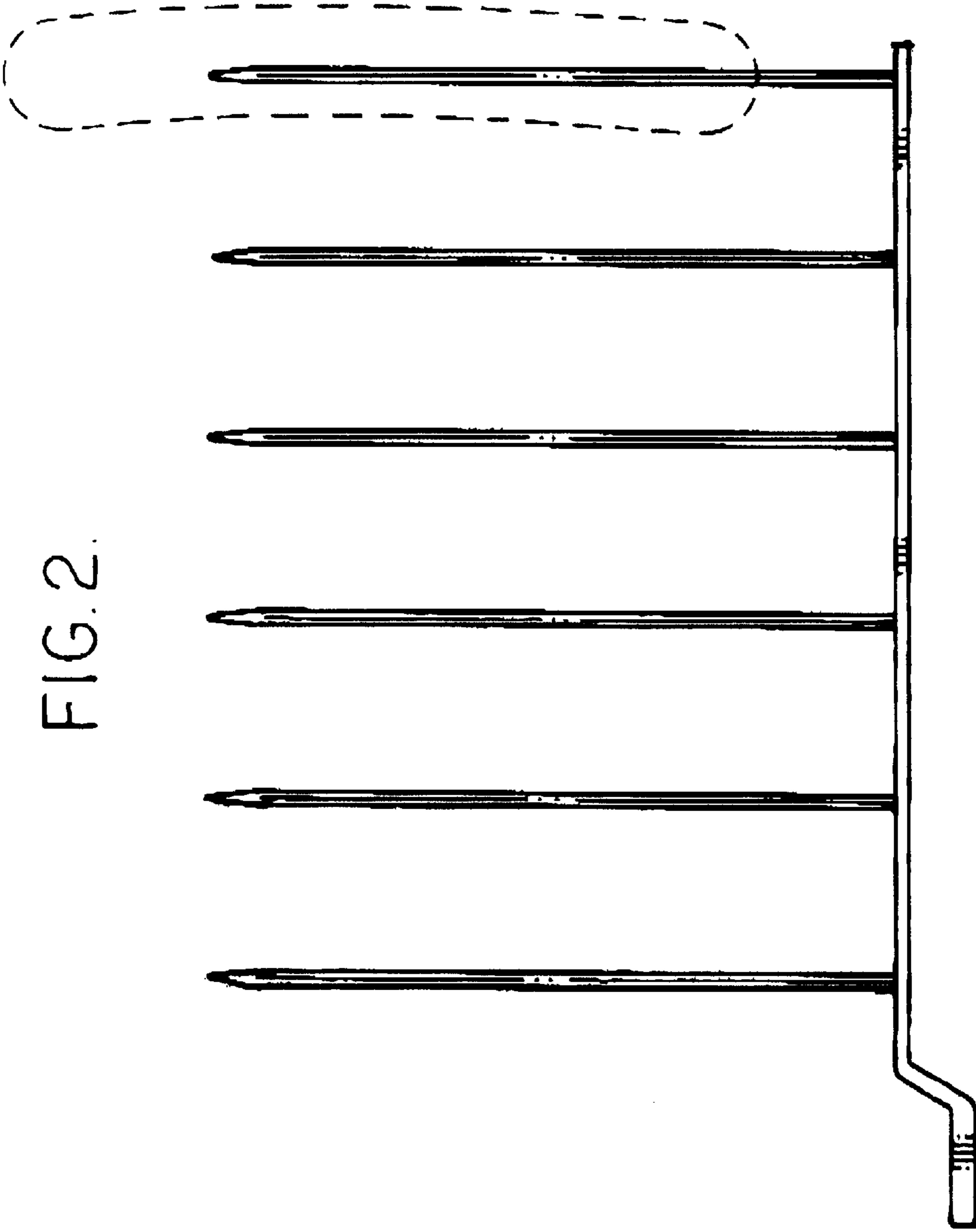


FIG. 2



FIG. 4.



FIG. 5.



FIG. 6.