



US00D512883S

(12) **United States Design Patent**  
**Lee**

(10) **Patent No.:** **US D512,883 S**  
(45) **Date of Patent:** **\*\* Dec. 20, 2005**

(54) **GARLIC PRESS**

(75) Inventor: **Shek Tang Lee, Hong Kong (HK)**

(73) Assignee: **Best Luck Technology Development Limited, Hong Kong (CN)**

(\*\*) Term: **14 Years**

(21) Appl. No.: **29/209,119**

(22) Filed: **Jul. 9, 2004**

(30) **Foreign Application Priority Data**

Jan. 14, 2004 (HK) ..... 0410116

(51) **LOC (6) Cl.** ..... **07-04**

(52) **U.S. Cl.** ..... **D7/666**

(58) **Field of Search** ..... D7/665, 666, 680;  
99/495, 506; 100/99, 112, 116, 125, 234,  
243; 241/169.1, 169.2, 273.3

(56) **References Cited**

**U.S. PATENT DOCUMENTS**

2,776,616 A \* 1/1957 Sarossy ..... 100/234

3,580,168 A \* 5/1971 Zysset ..... 100/234  
D436,807 S \* 1/2001 Chiu ..... D7/666  
D448,979 S \* 10/2001 Huang ..... D7/666  
6,505,548 B1 \* 1/2003 Lillelund et al. .... 99/510

\* cited by examiner

*Primary Examiner*—Terry A. Wallace  
(74) *Attorney, Agent, or Firm*—Egbert Law Offices

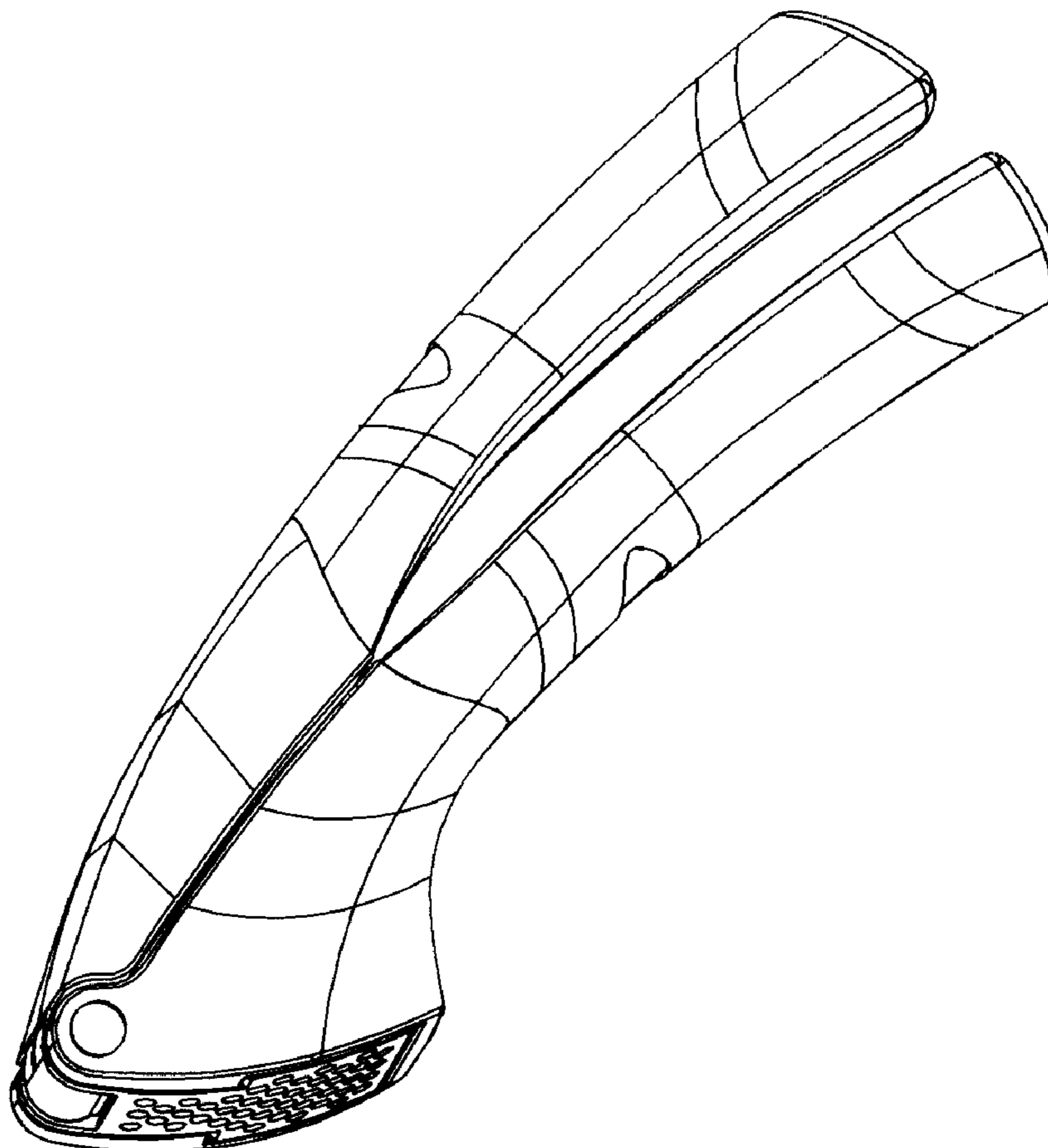
(57) **CLAIM**

I claim the ornamental design for a garlic press, as shown and described.

**DESCRIPTION**

FIG. 1 is a side view of the garlic press showing my design; an opposite side view being a mirror image thereof.  
FIG. 2 is a top plan view thereof;  
FIG. 3 is a bottom view thereof;  
FIG. 4 an end view thereof;  
FIG. 5 is an opposite end view thereof; and,  
FIG. 6 is a perspective view thereof.

**1 Claim, 6 Drawing Sheets**



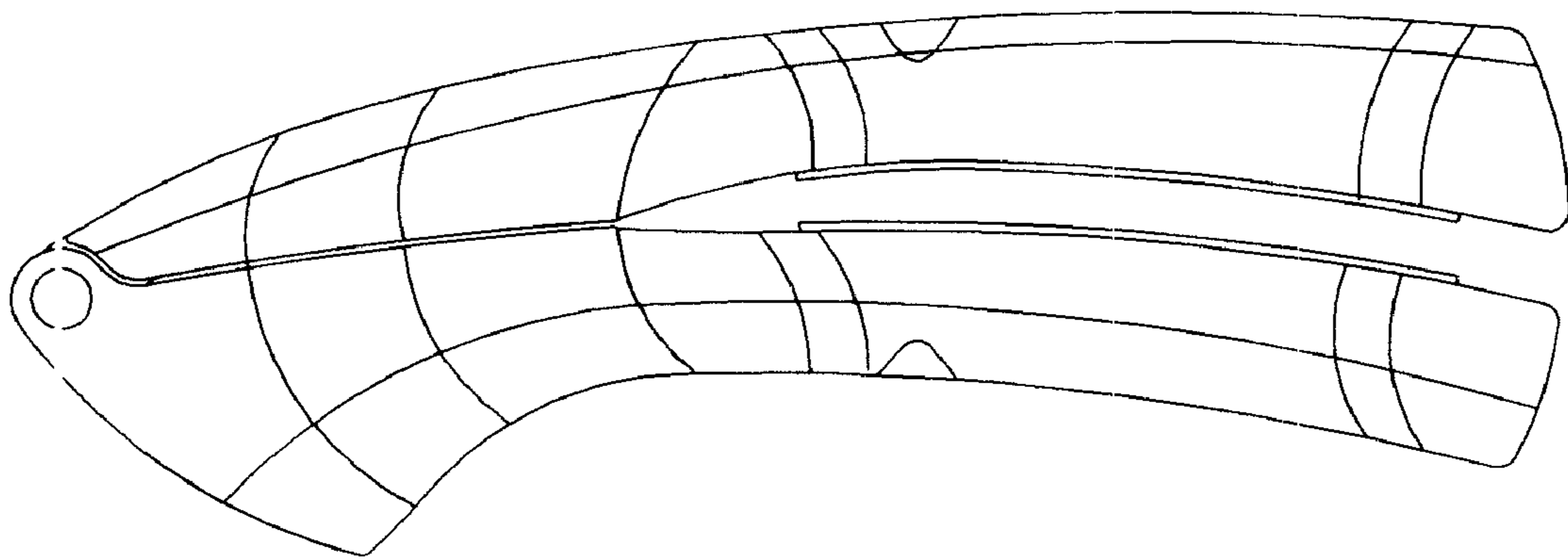


FIG. 1

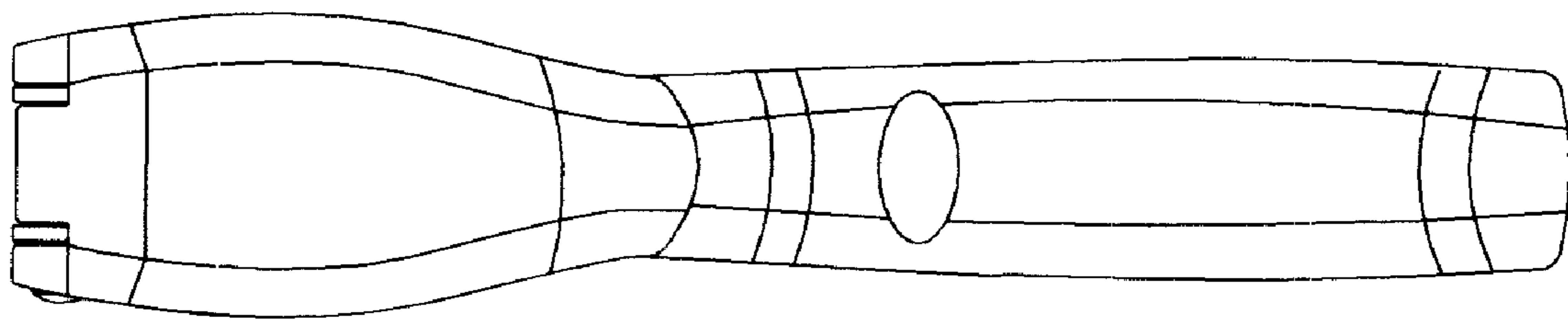


FIG. 2

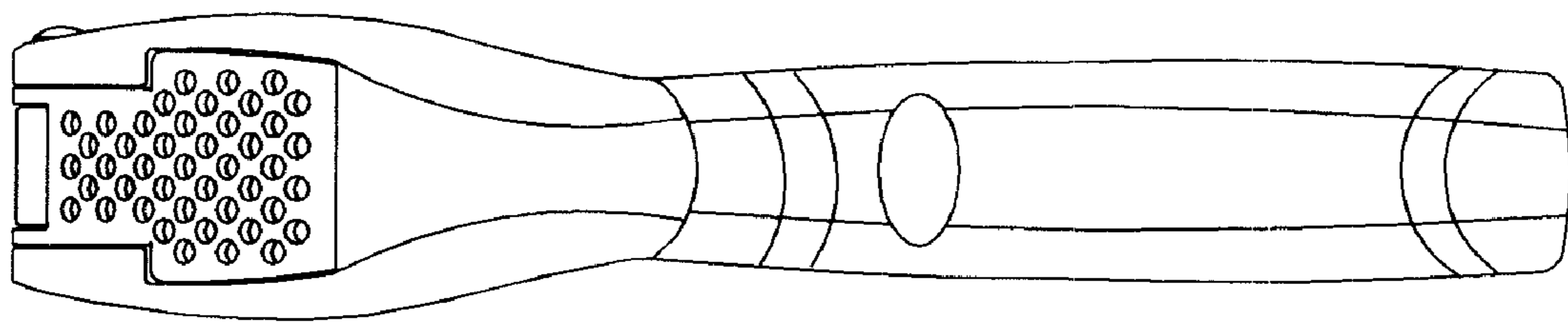


FIG. 3

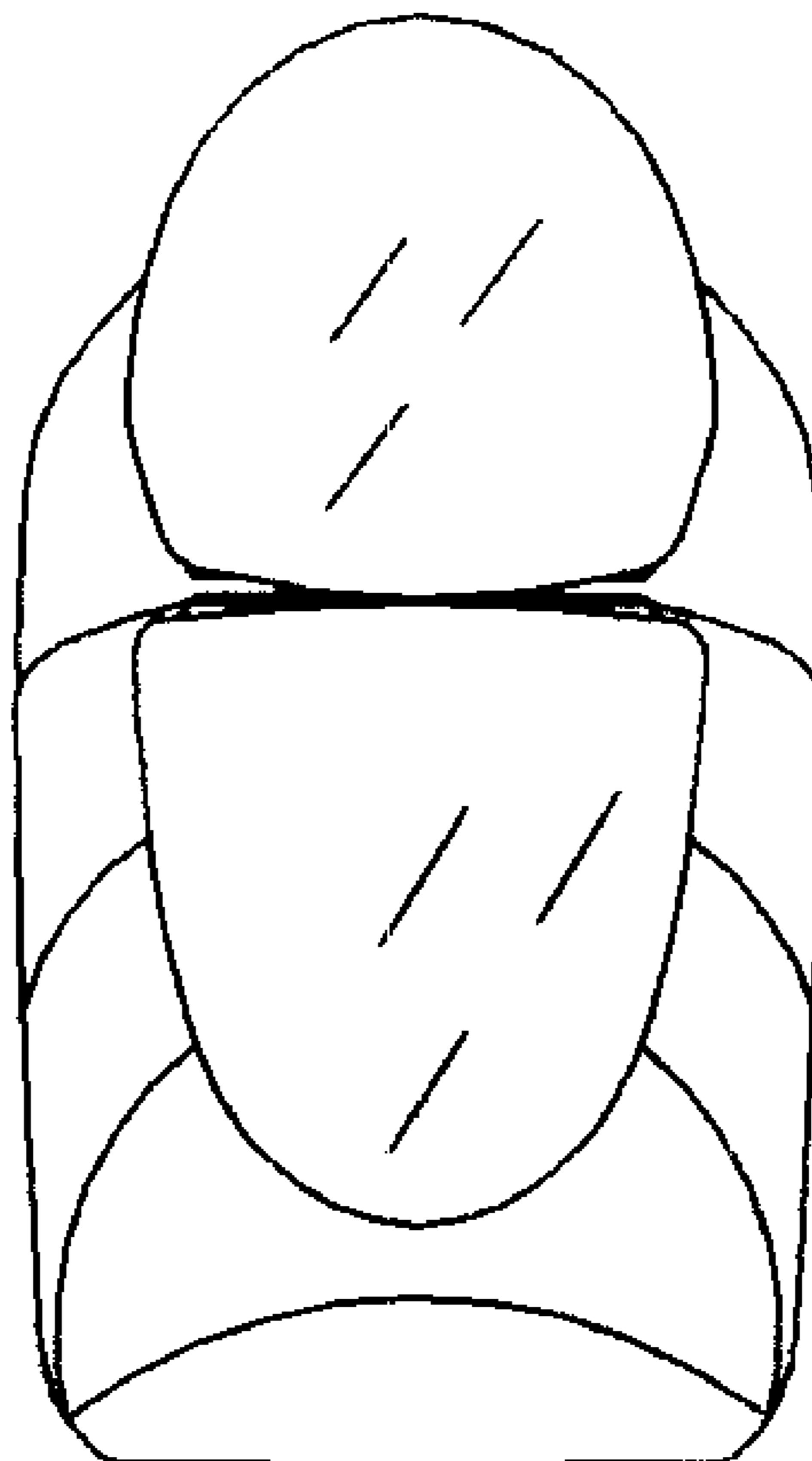


FIG. 4

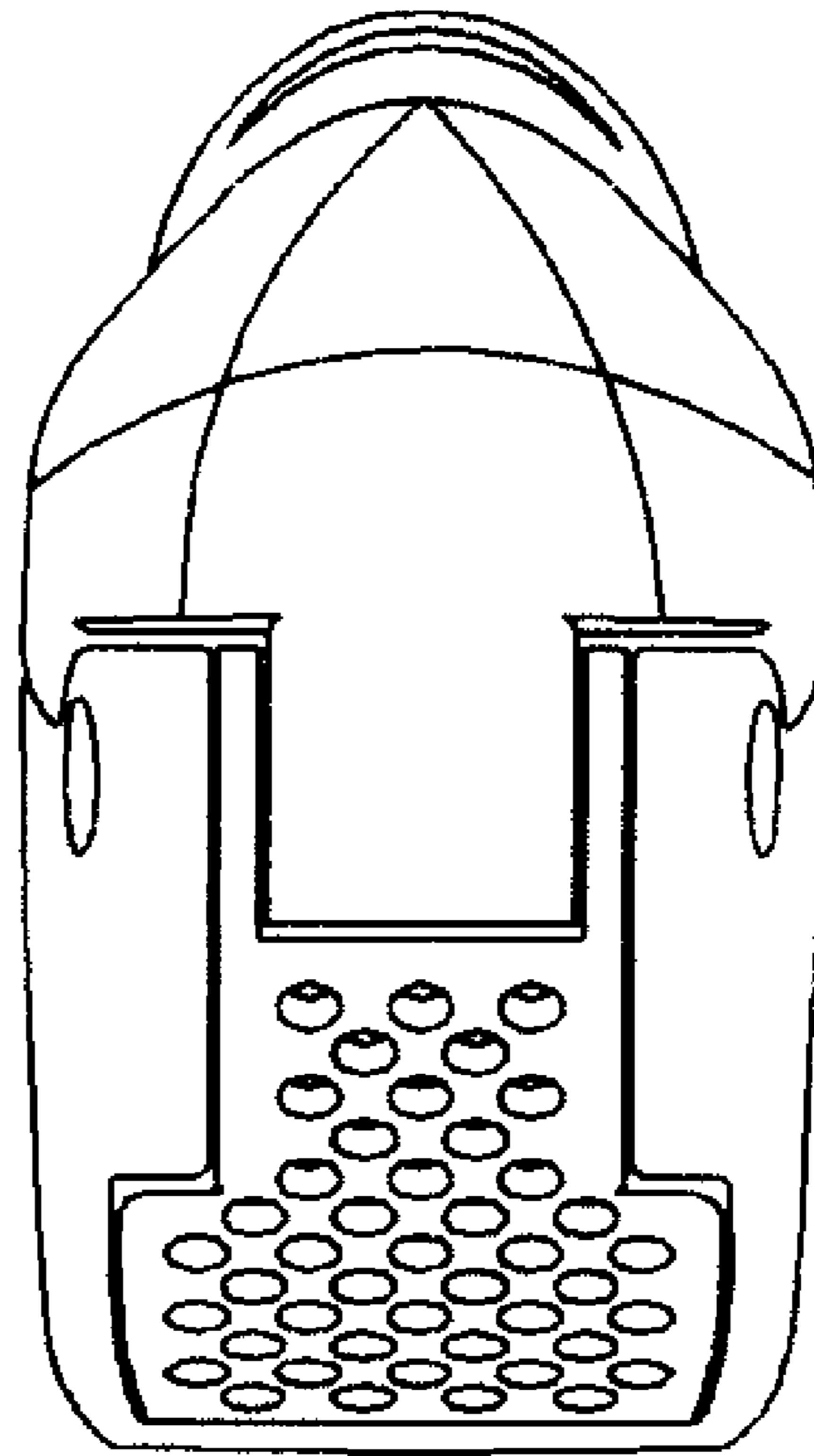


FIG. 5

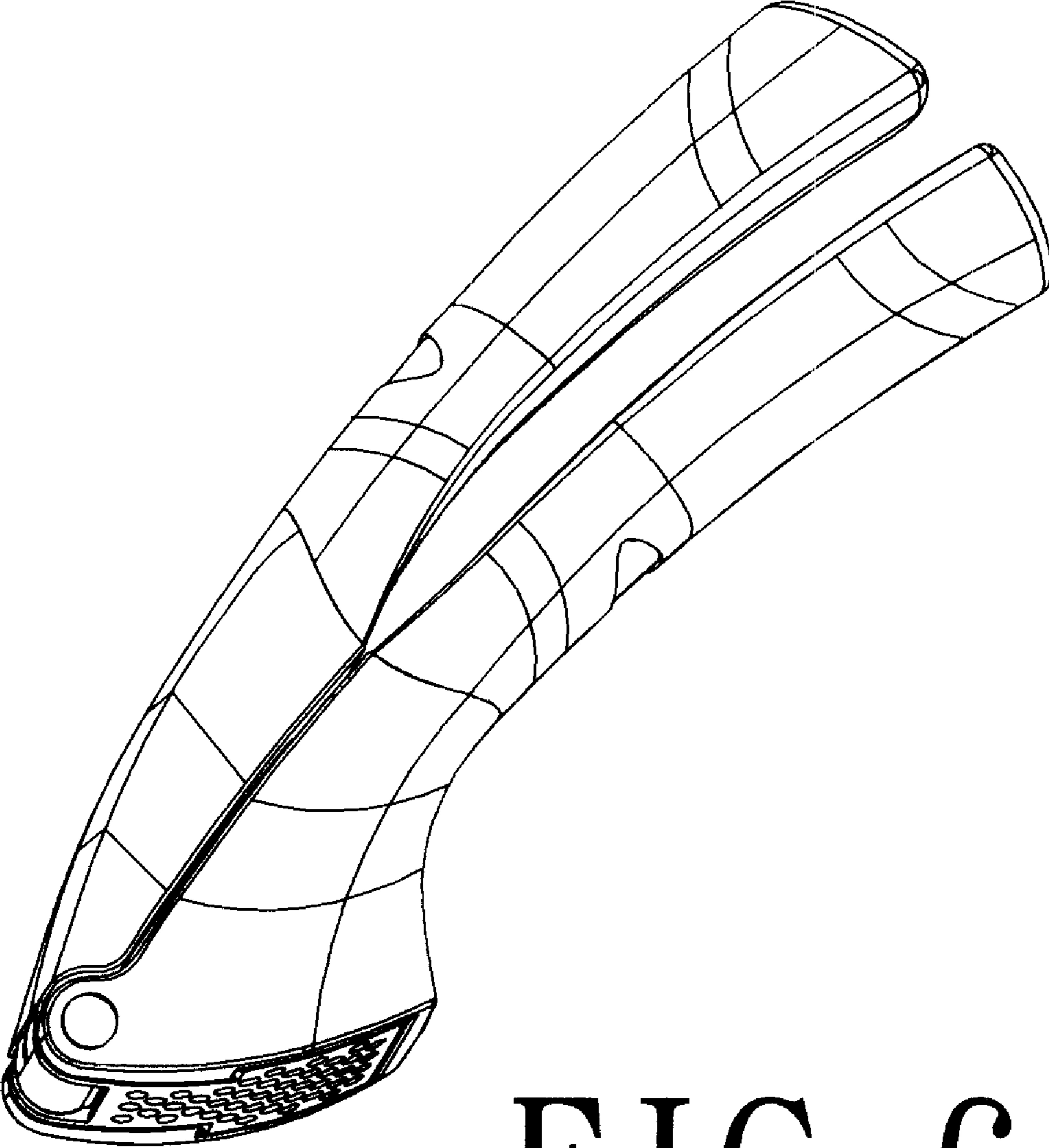


FIG. 6