



US00D512877S

(12) **United States Design Patent**  
**Vovan**

(10) **Patent No.:** **US D512,877 S**

(45) **Date of Patent:** **\*\* Dec. 20, 2005**

(54) **ELLIPTICAL FLUTED FOOD CONTAINER**

D276,025 S \* 10/1984 Hexamer ..... D9/425  
D459,225 S \* 6/2002 Baxter et al. .... D9/428  
D479,672 S \* 9/2003 Wichmann et al. .... D7/584

(75) **Inventor:** **Terry Vovan, Rialto, CA (US)**

\* cited by examiner

(73) **Assignee:** **PWP Industries, Vernon, CA (US)**

*Primary Examiner*—Terry A. Wallace

(\*\*) **Term:** **14 Years**

(74) *Attorney, Agent, or Firm*—Leon D. Rosen

(21) **Appl. No.:** **29/217,704**

(57) **CLAIM**

(22) **Filed:** **Nov. 19, 2004**

The ornamental design for elliptical fluted food container, as shown and described.

(51) **LOC (6) Cl.** ..... **07-01**

**DESCRIPTION**

(52) **U.S. Cl.** ..... **D7/602; D9/429**

(58) **Field of Search** ..... D7/602, 629, 630,  
D7/538–548, 584–587, 560, 566, 570; D9/414,  
424–432; 229/406, 407, 902–906; 220/4.21,  
780–783, 792–805

FIG. 1 is a top isometric view of an elliptical fluted food container showing my design.

FIG. 2 is a right side elevation view thereof, the left side elevation view being identical thereto.

FIG. 3 is a front elevation view thereof, the rear elevation view being identical thereto.

FIG. 4 is a plan view thereof; and,

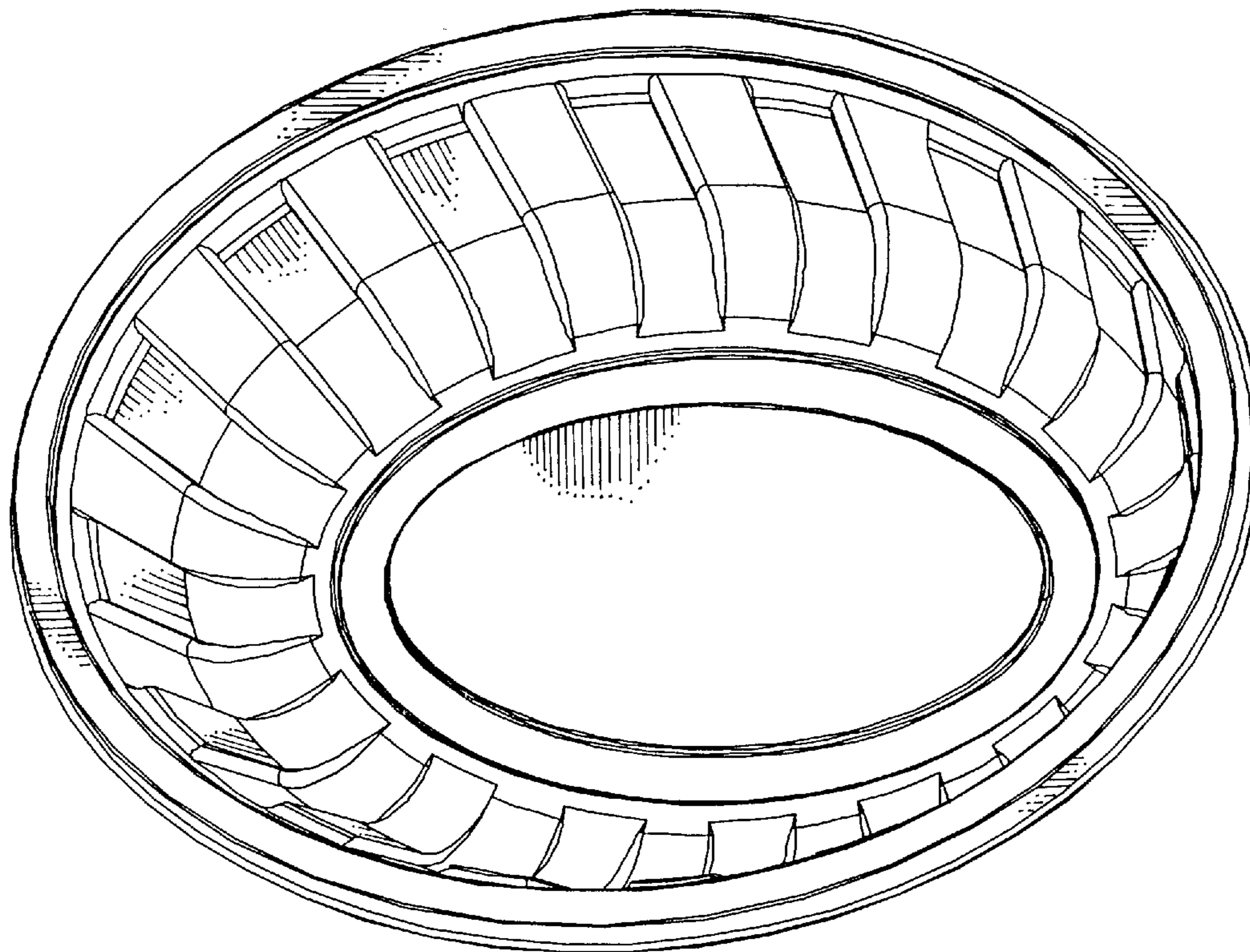
FIG. 5 is a bottom view thereof.

(56) **References Cited**

**U.S. PATENT DOCUMENTS**

3,487,972 A \* 1/1970 Swett ..... 220/780  
D235,302 S \* 6/1975 Lanigan ..... D7/584

**1 Claim, 5 Drawing Sheets**



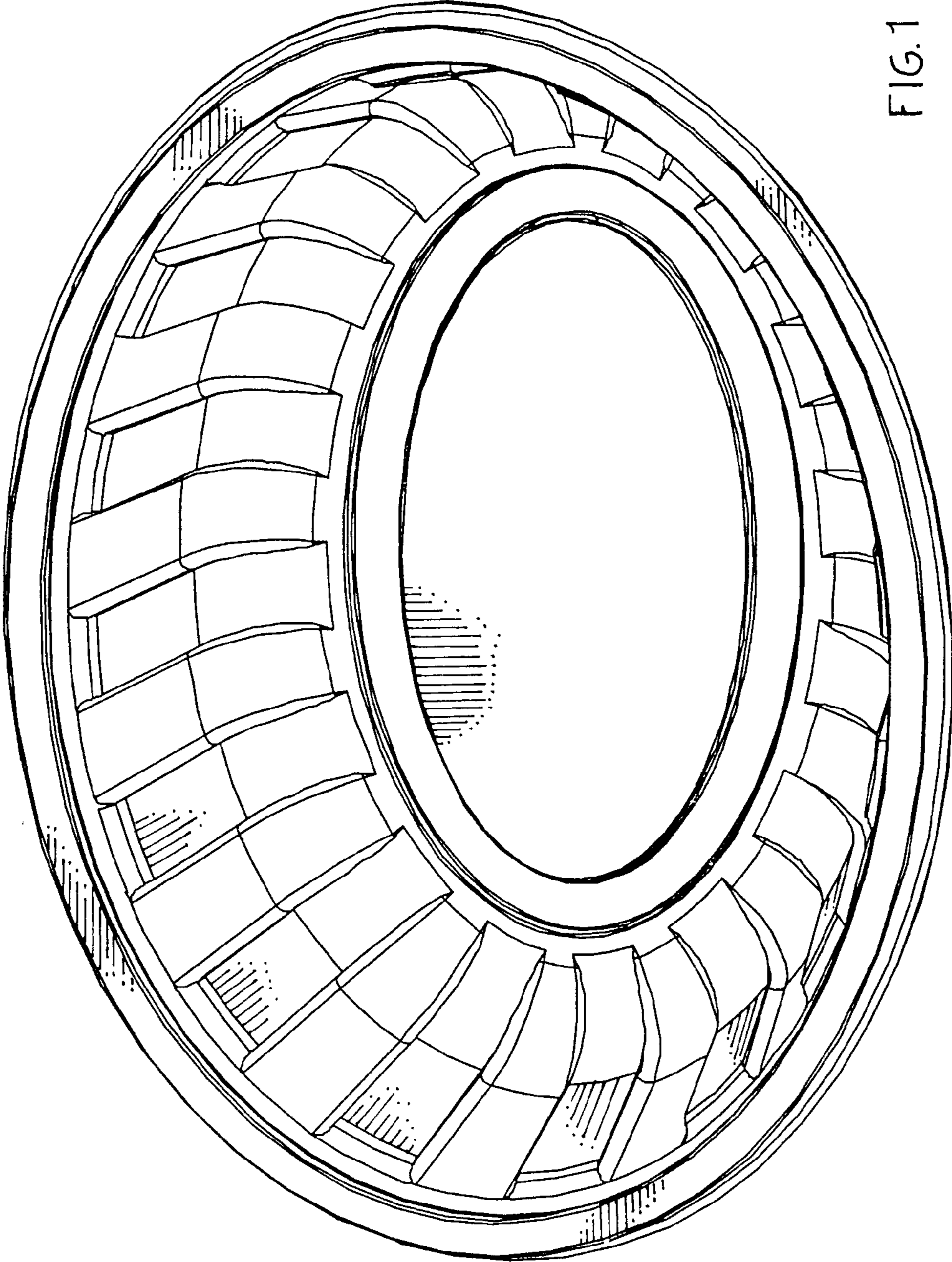


FIG.1

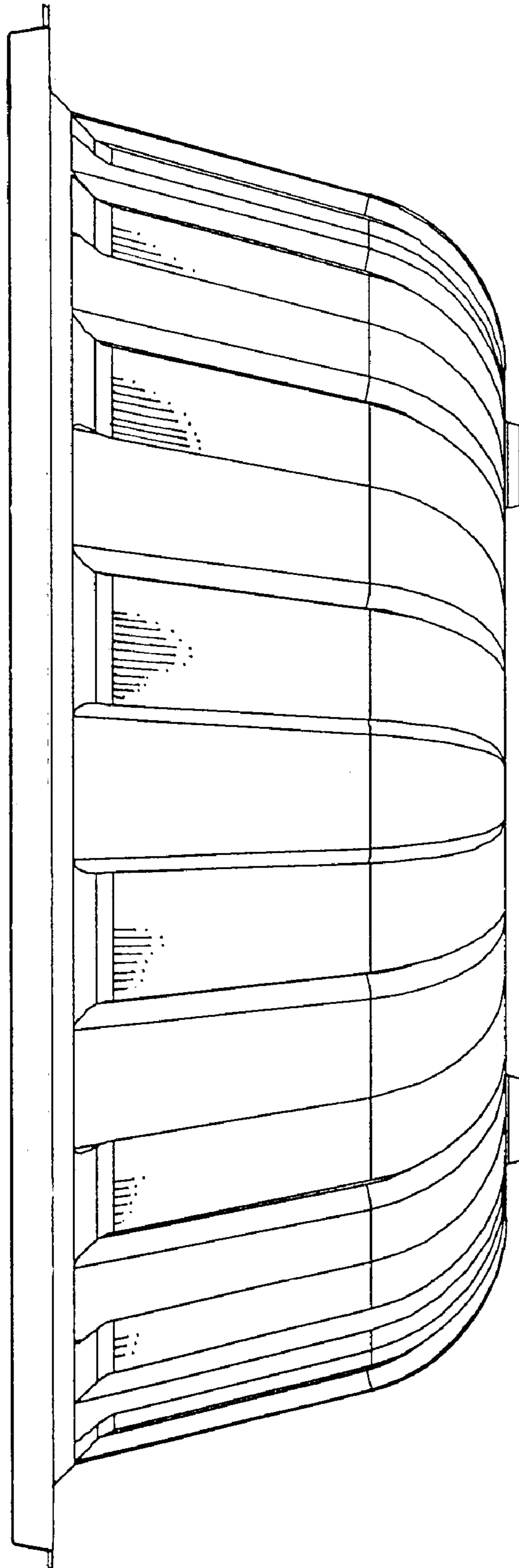


FIG. 2

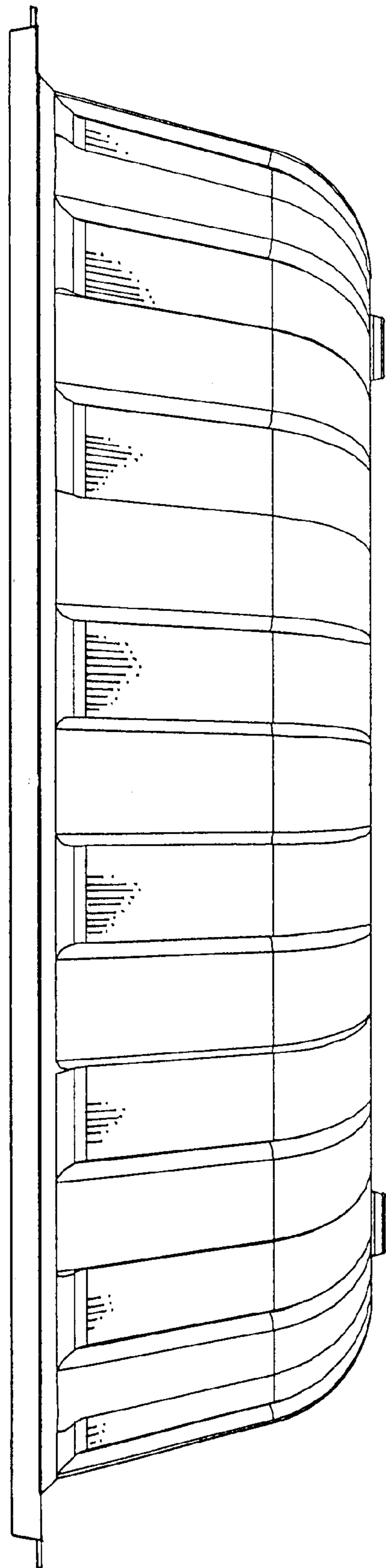


FIG. 3

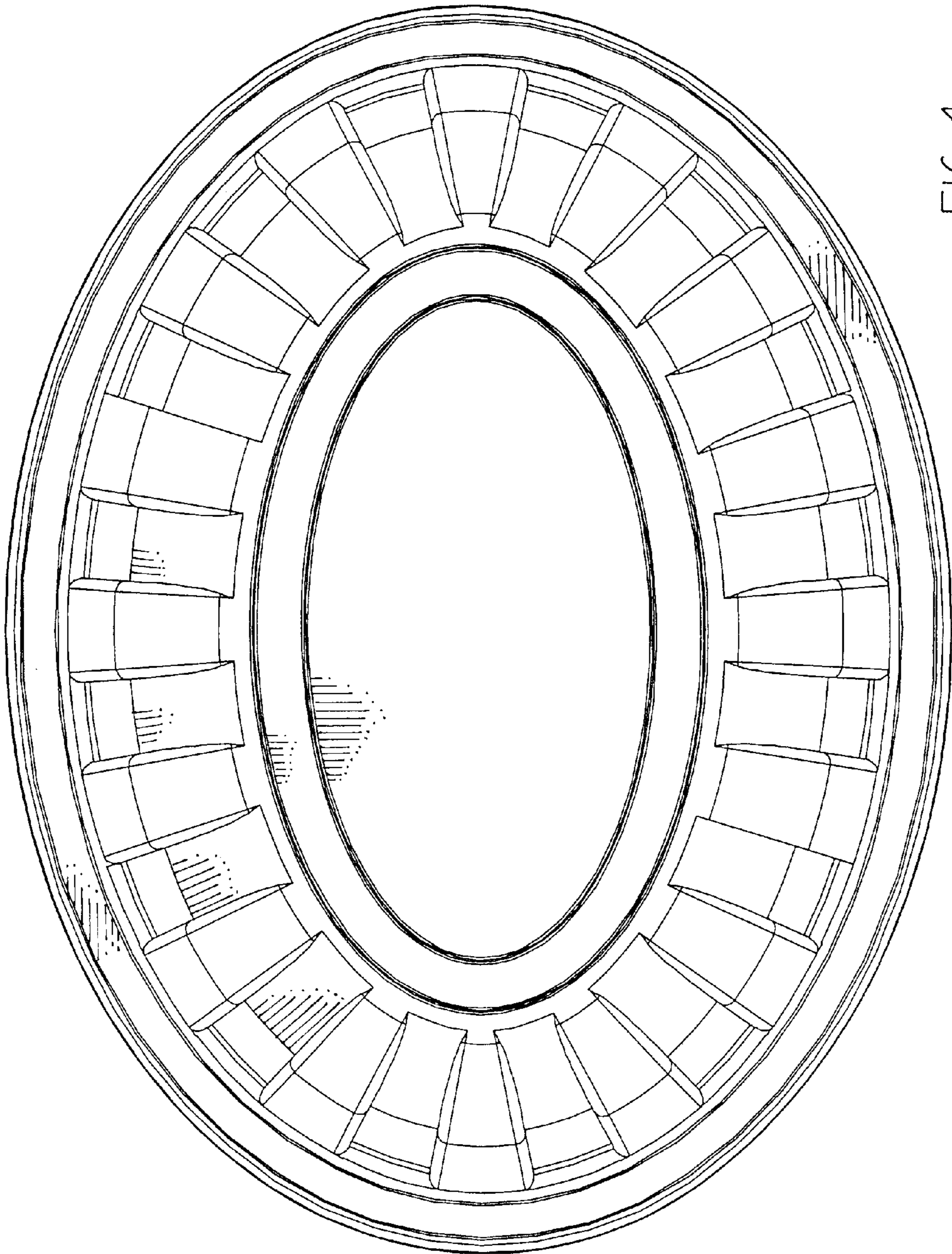


FIG. 4

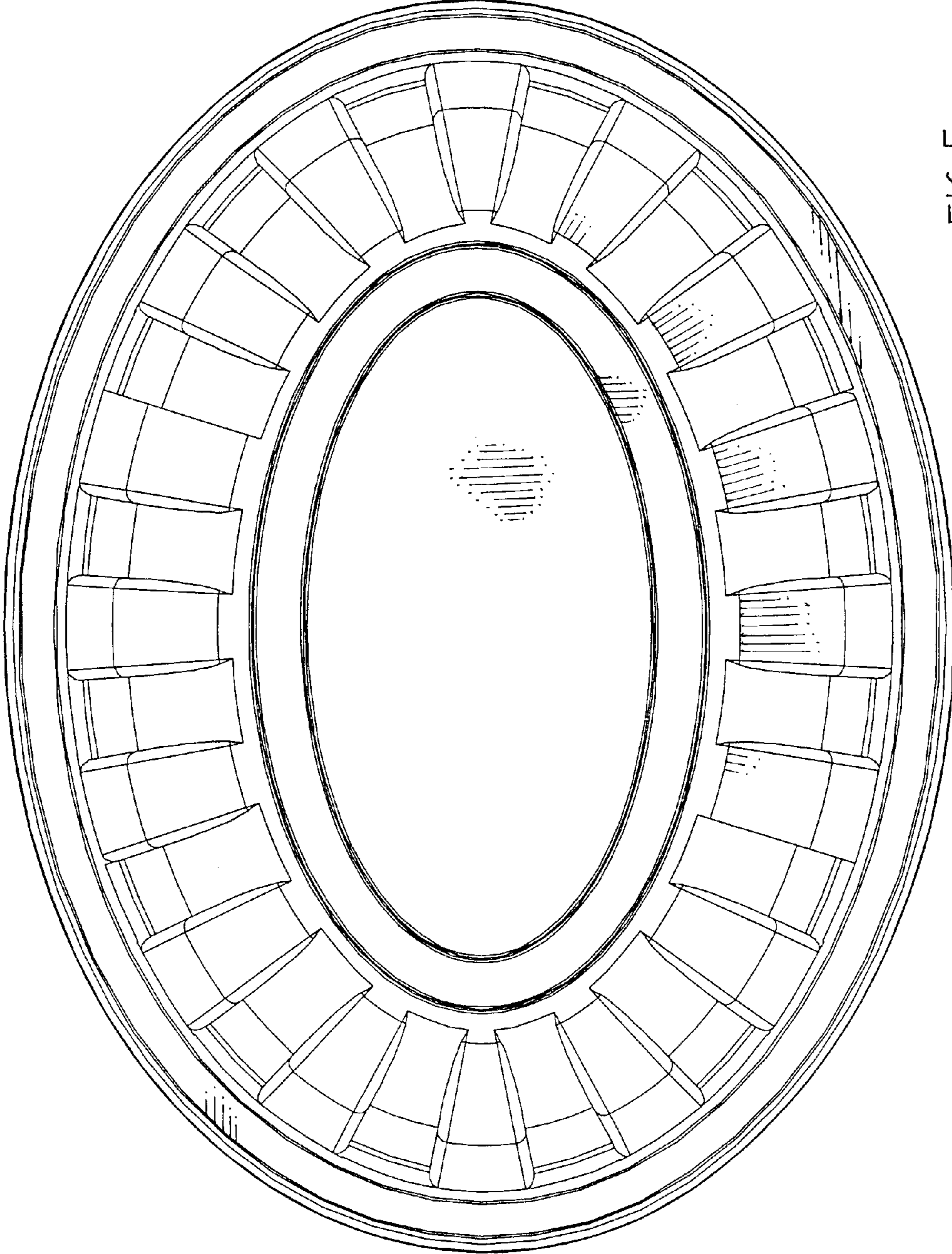


FIG. 5