



US00D512869S

(12) **United States Design Patent** (10) **Patent No.:** **US D512,869 S**
Green-Law (45) **Date of Patent:** **** Dec. 20, 2005**

(54) **TOP SHEET HAVING LOWER SECTION WITH QUILTED INSERT**

(76) Inventor: **Donna Green-Law**, 6709 Geneva La., Temple Hills, MD (US) 20748

(**) Term: **14 Years**

(21) Appl. No.: **29/192,452**

(22) Filed: **Oct. 27, 2003**

(51) **LOC (6) Cl.** **06-09**

(52) **U.S. Cl.** **D6/596**

(58) **Field of Search** D6/595, 596, 597, D6/598, 599, 601, 602, 603, 604, 608, 609, 611, 612; 5/417, 418, 419, 420, 482, 485, 490, 495, 496, 497, 499, 500, 512, 907, 945, 946; 297/228.1, 229, 452.41

(56) **References Cited**

U.S. PATENT DOCUMENTS

1,533,973	A	*	4/1925	Cohen et al.	5/500
1,865,329	A	*	6/1932	McHorter	5/497
2,679,056	A	*	5/1954	Simpson	D6/603
D317,841	S	*	7/1991	Mendyk	D6/602
D324,971	S	*	3/1992	Blocker	D6/602
5,287,574	A	*	2/1994	Kardell et al.	5/499
D353,072	S	*	12/1994	Cornell et al.	D6/595
5,497,521	A	*	3/1996	Waits et al.	5/482
D405,636	S	*	2/1999	Stewart	D6/596
6,061,851	A	*	5/2000	Crowell	5/497

D428,750	S	*	8/2000	Chatelain	D6/602
D433,865	S	*	11/2000	Willbanks	D6/602
D468,951	S	*	1/2003	Harris	D6/596
6,502,258	B1	*	1/2003	Mitchell	5/497
2003/0221257	A1	*	12/2003	Drexler	5/486

* cited by examiner

Primary Examiner—Gary D. Watson

Assistant Examiner—T. Chase Nelson

(74) *Attorney, Agent, or Firm*—Jerome J. Norris

(57) **CLAIM**

The ornamental design for a top sheet having lower section with quilted insert, as shown and described.

DESCRIPTION

FIG. 1 is a view in perspective of a top sheet having lower section with quilted insert;

FIG. 2 is a side elevational view of the top sheet having lower section with quilted insert;

FIG. 3 is a view in cross section taken along the arrowed lines 3 of FIG. 2; and,

FIG. 4 is a top plan view of FIG. 1.

The broken lines in FIGS. 1, 2, and 4 at the lower section of the top sheet are understood to represent quilt stitching, and form a part of the claimed design. The broken and dashed line showing of a mattress in FIGS. 1, 2, and 4 is for illustrative purposes only and forms no part of the claimed design.

1 Claim, 2 Drawing Sheets

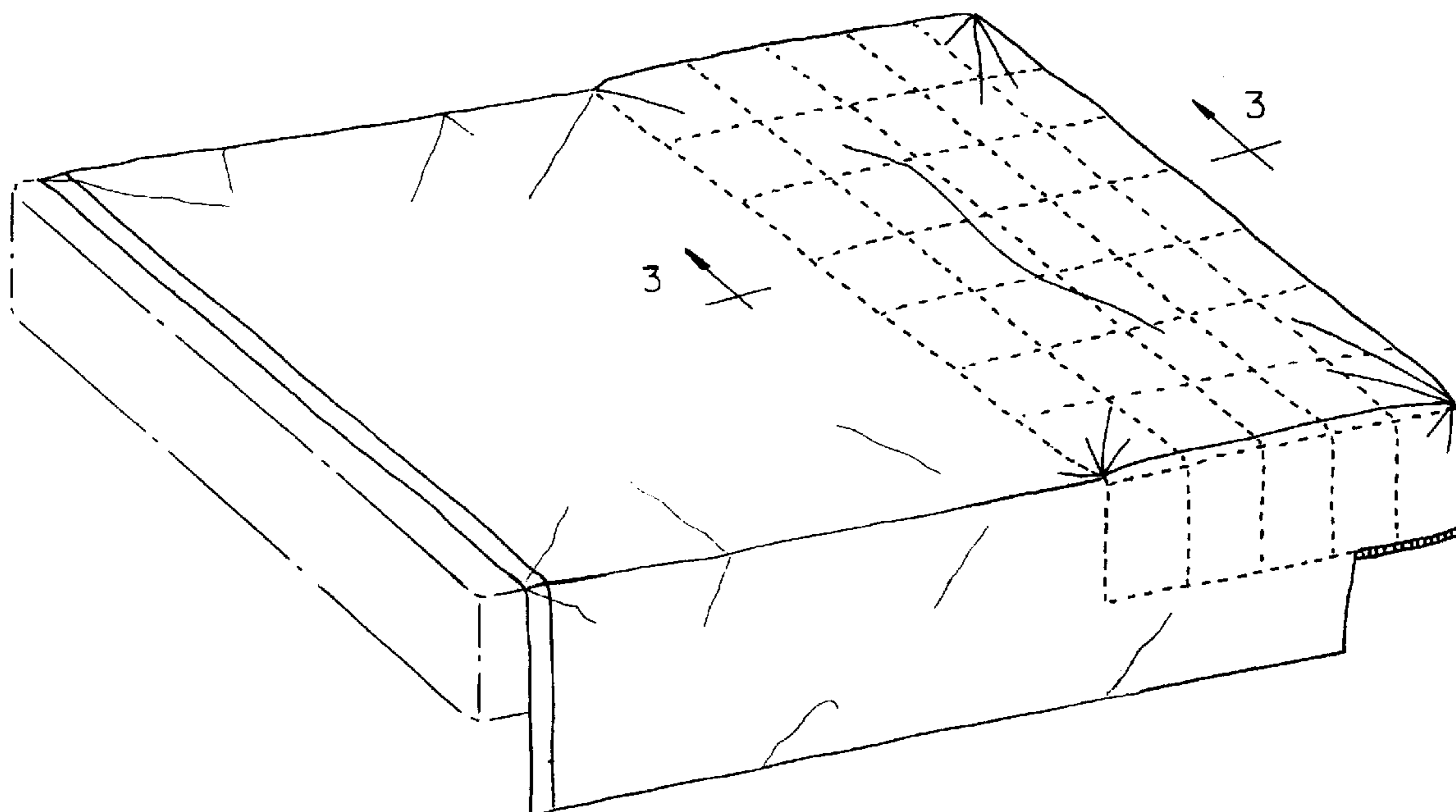


FIG. 1

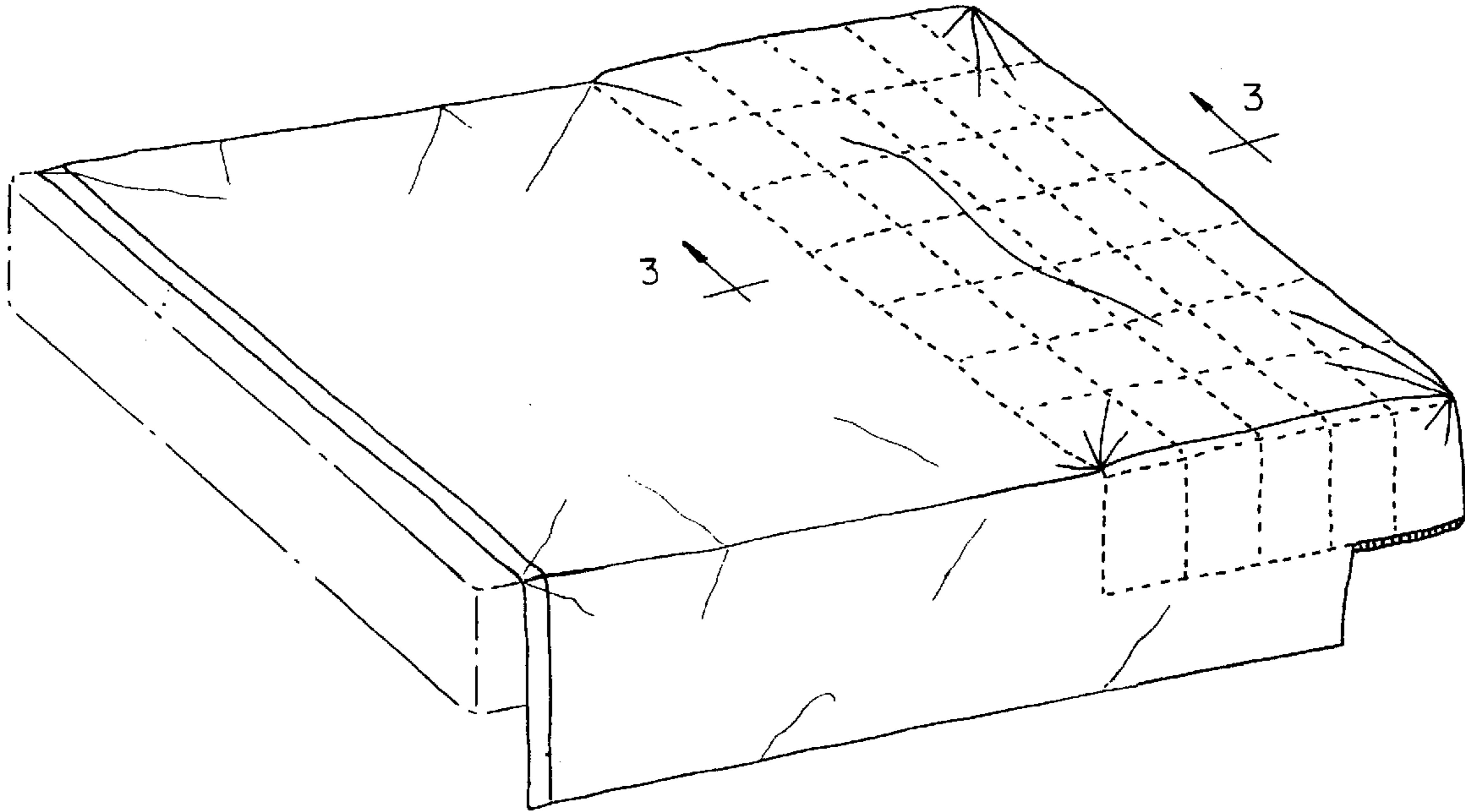


FIG. 2

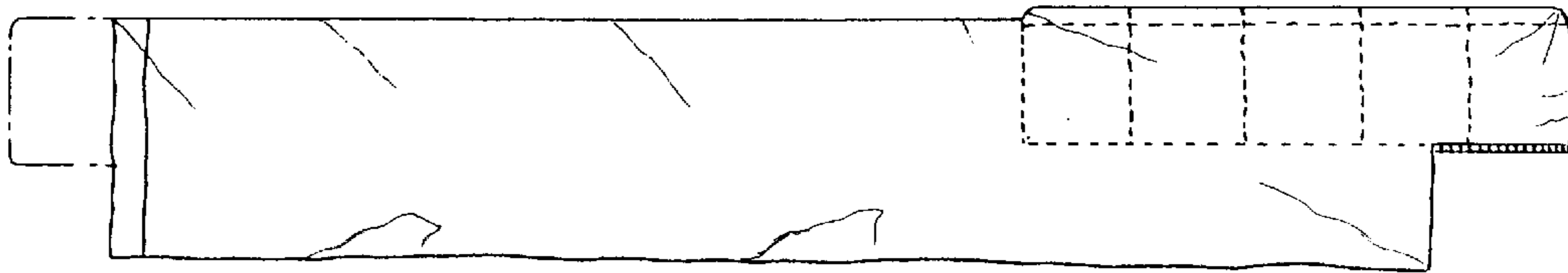


FIG. 3

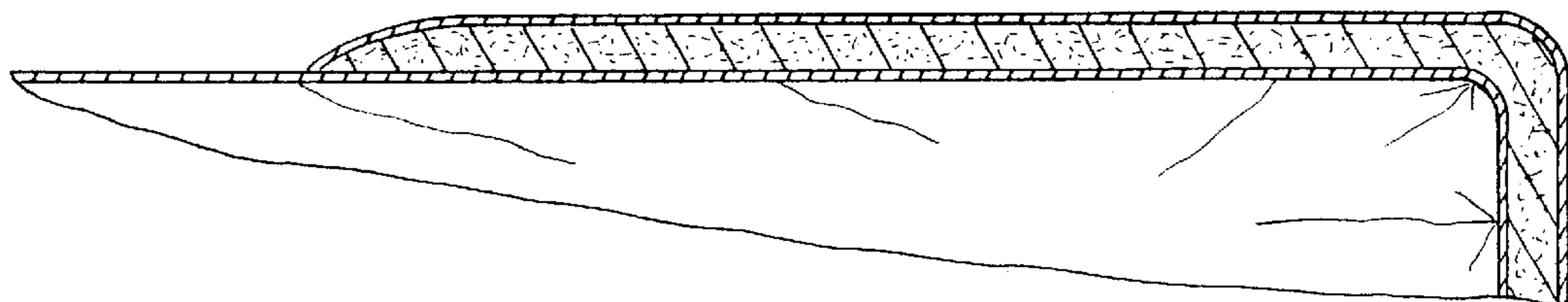


FIG. 4

