



US00D512864S

(12) **United States Design Patent**
Moon et al.

(10) **Patent No.: US D512,864 S**

(45) **Date of Patent: ** Dec. 20, 2005**

(54) **PLASTIC WALL CABINET**

(75) Inventors: **Brian Moon**, De Kalb, IL (US);
Torrence Anderson, Overland Park, KS (US)

(73) Assignee: **Suncast Corporation**, Batavia, IL (US)

(**) Term: **14 Years**

(21) Appl. No.: **29/188,867**

(22) Filed: **Aug. 22, 2003**

(51) **LOC (6) Cl.** **06-04**

(52) **U.S. Cl.** **D6/561**

(58) **Field of Search** D6/553, 559, 561,
D6/446; D3/201, 203, 254; 211/13.1, 86.01;
312/242, 245

(56) **References Cited**

U.S. PATENT DOCUMENTS

D271,353 S * 11/1983 Raz D6/561

D365,703 S * 1/1996 Miller et al. D6/446

D389,668 S * 1/1998 Newkirk et al. D6/446

D419,802 S * 2/2000 Carville et al. D6/561

D494,798 S * 8/2004 Rodon et al. D6/559

* cited by examiner

Primary Examiner—Brian N Vinson

(74) *Attorney, Agent, or Firm*—McHale & Slavin, P.A.

(57) **CLAIM**

The ornamental design for a plastic wall cabinet, as shown and described.

DESCRIPTION

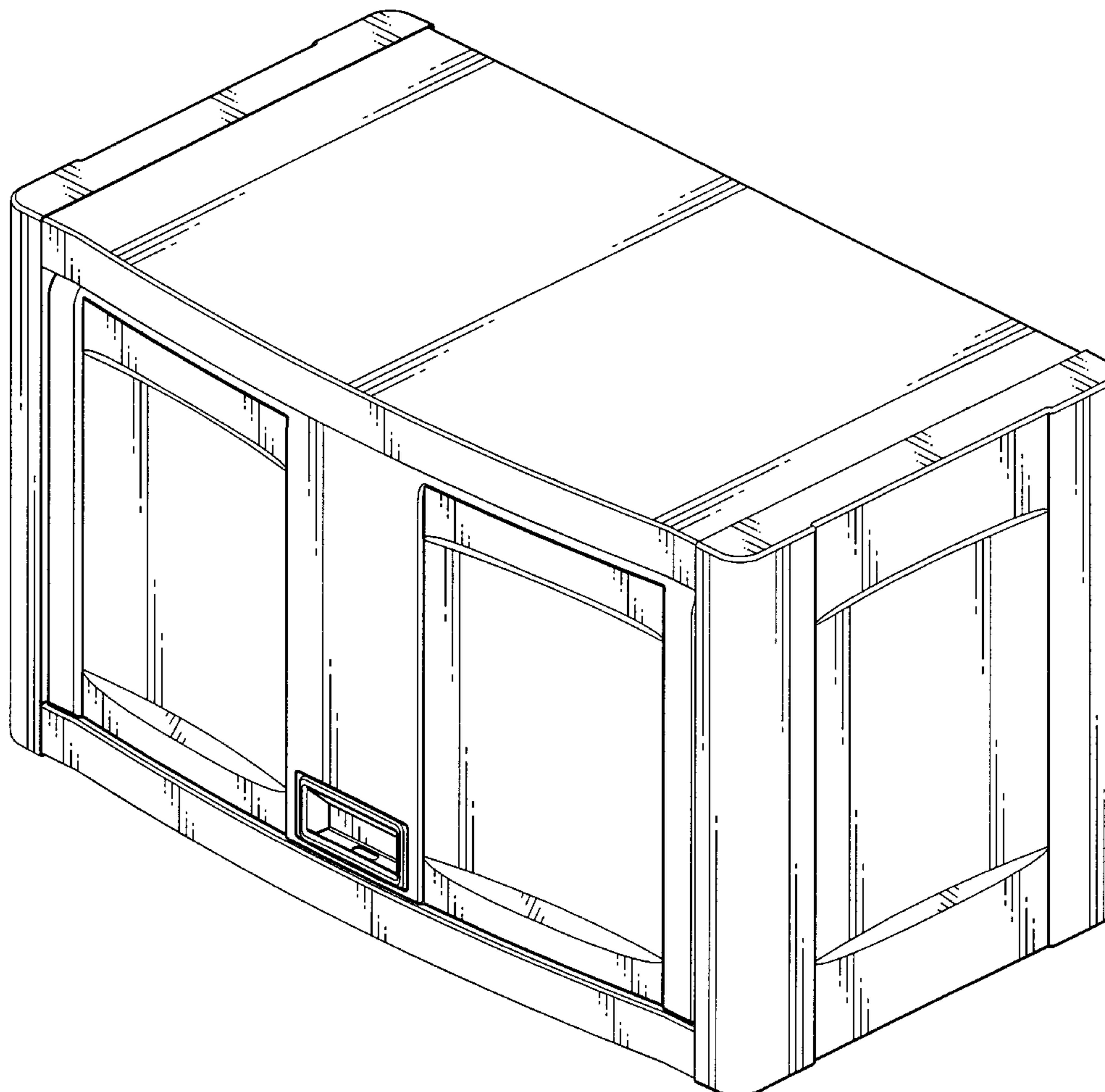
FIG. 1 is a perspective view of the plastic wall cabinet of the instant invention;

FIG. 2 is a front elevation view thereof;

FIG. 3 is a left side view thereof, the right side view forming a mirror image thereof; and,

FIG. 4 is a top view thereof.

1 Claim, 4 Drawing Sheets



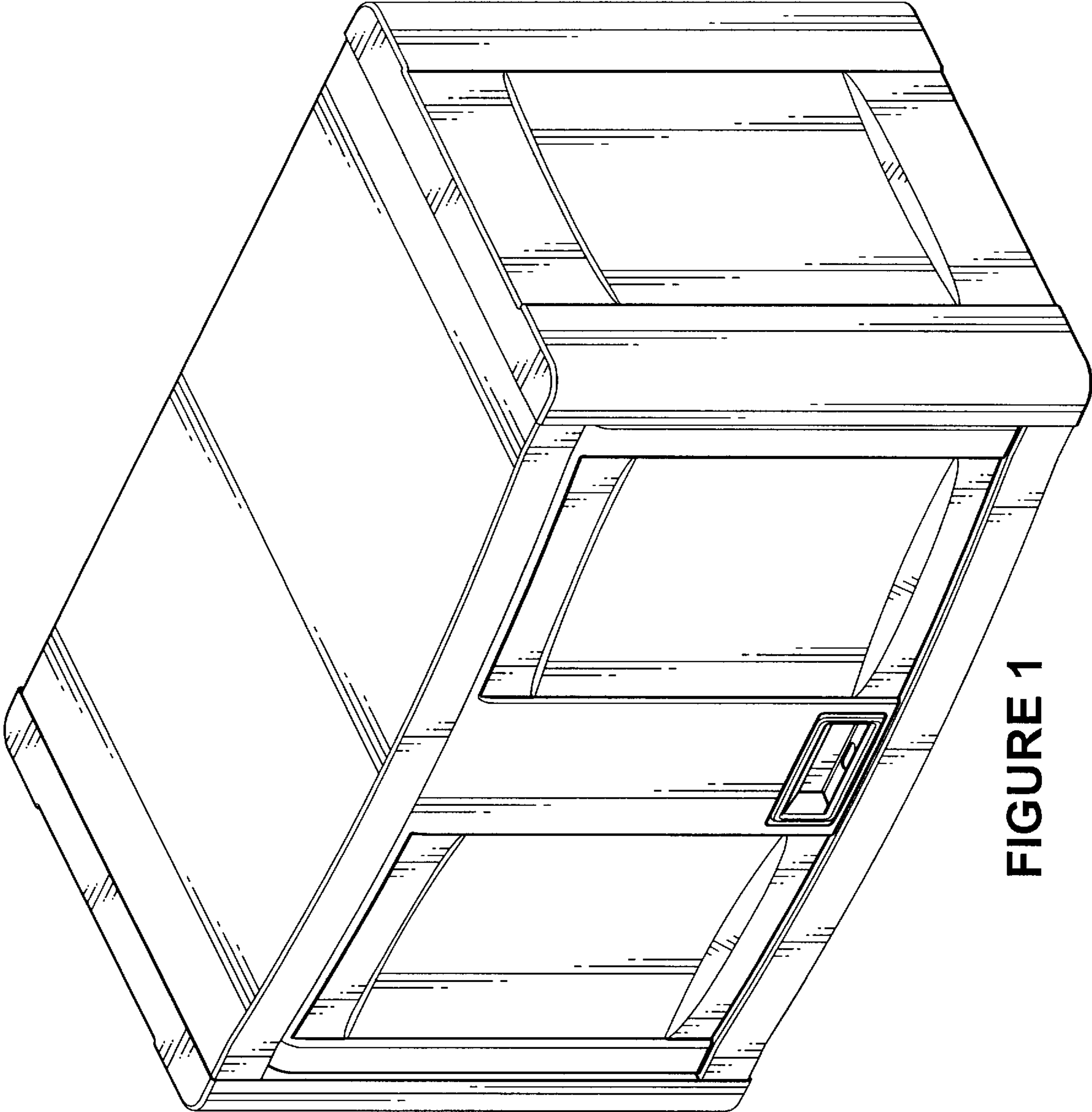


FIGURE 1

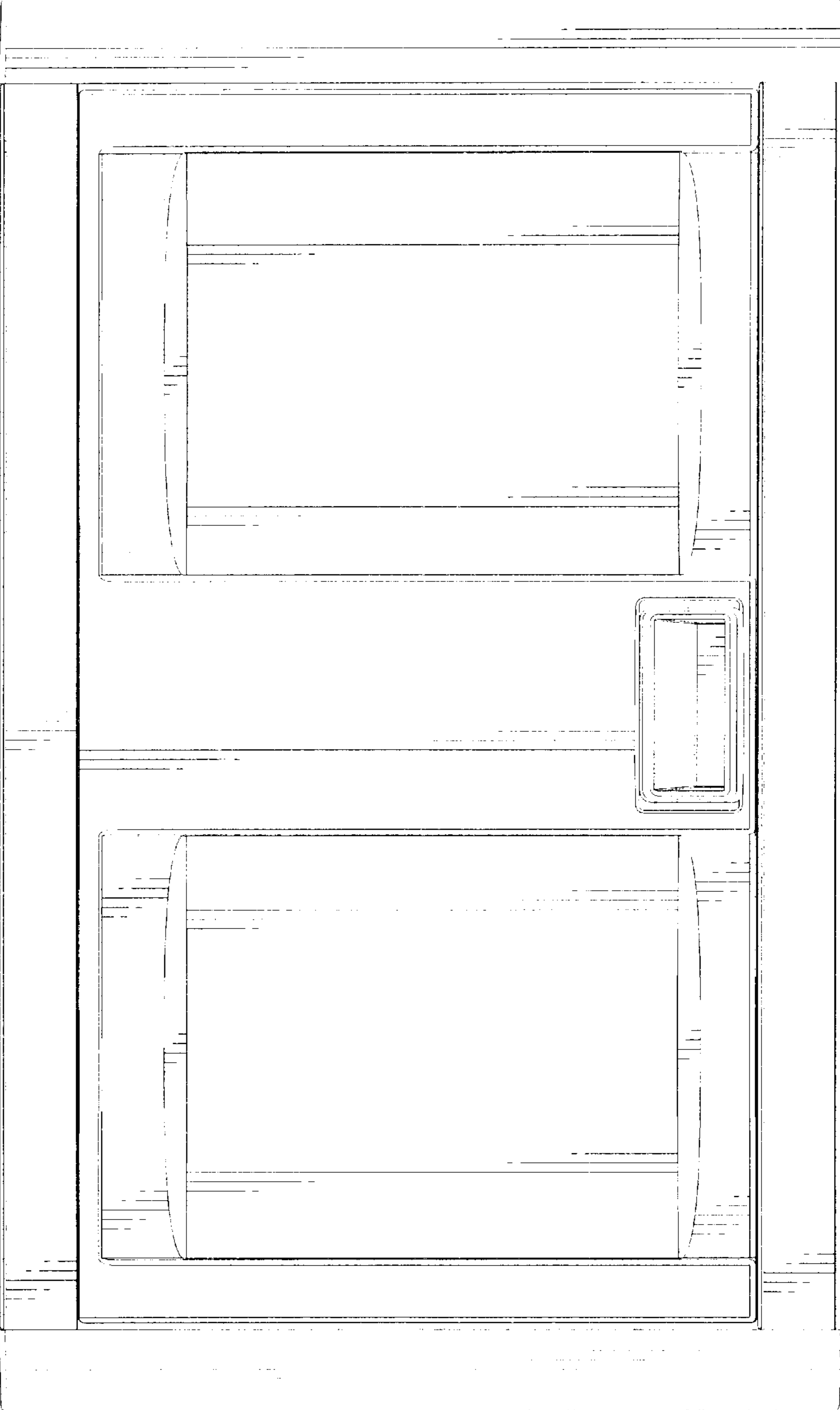


FIGURE 2

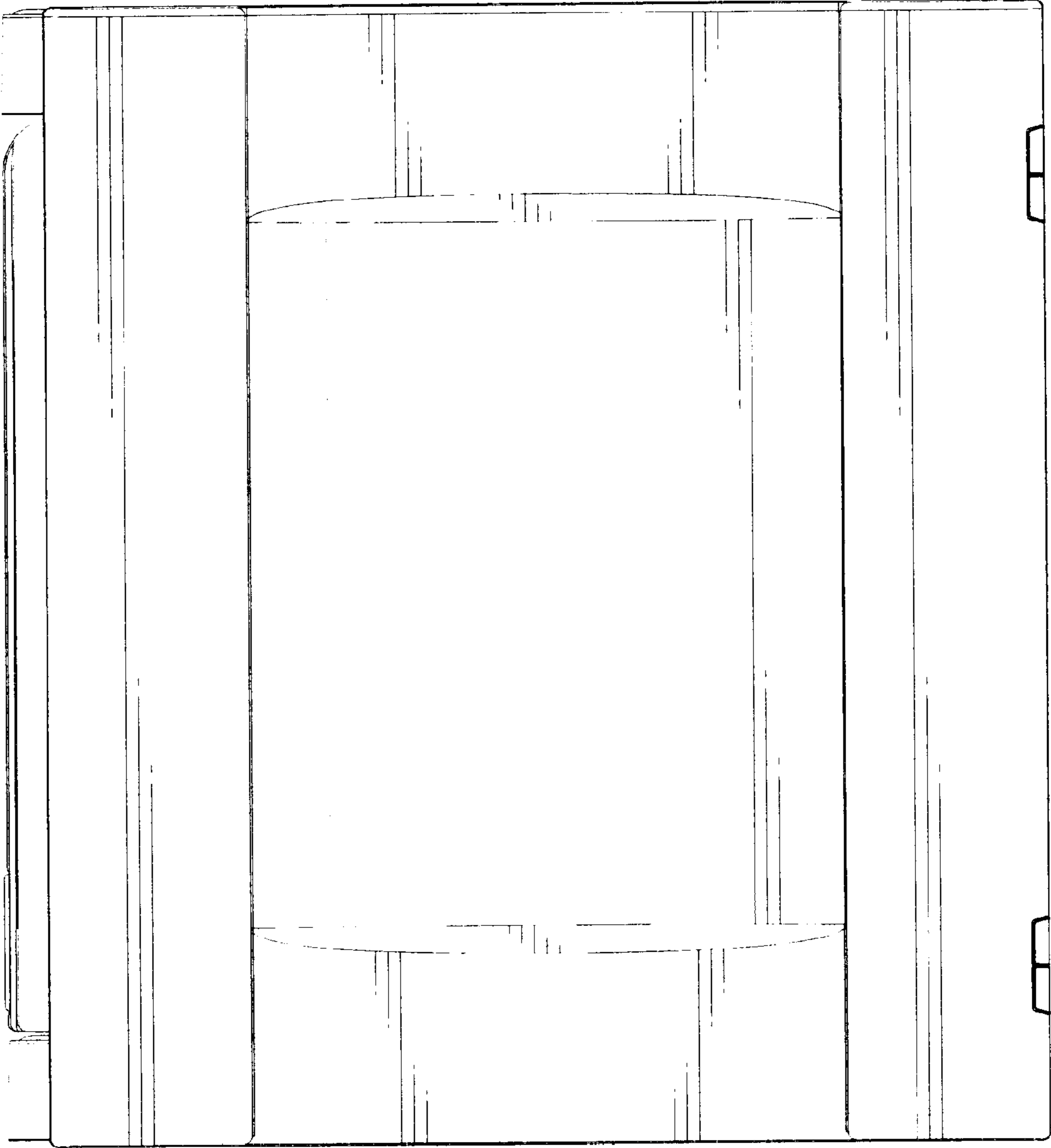


FIGURE 3

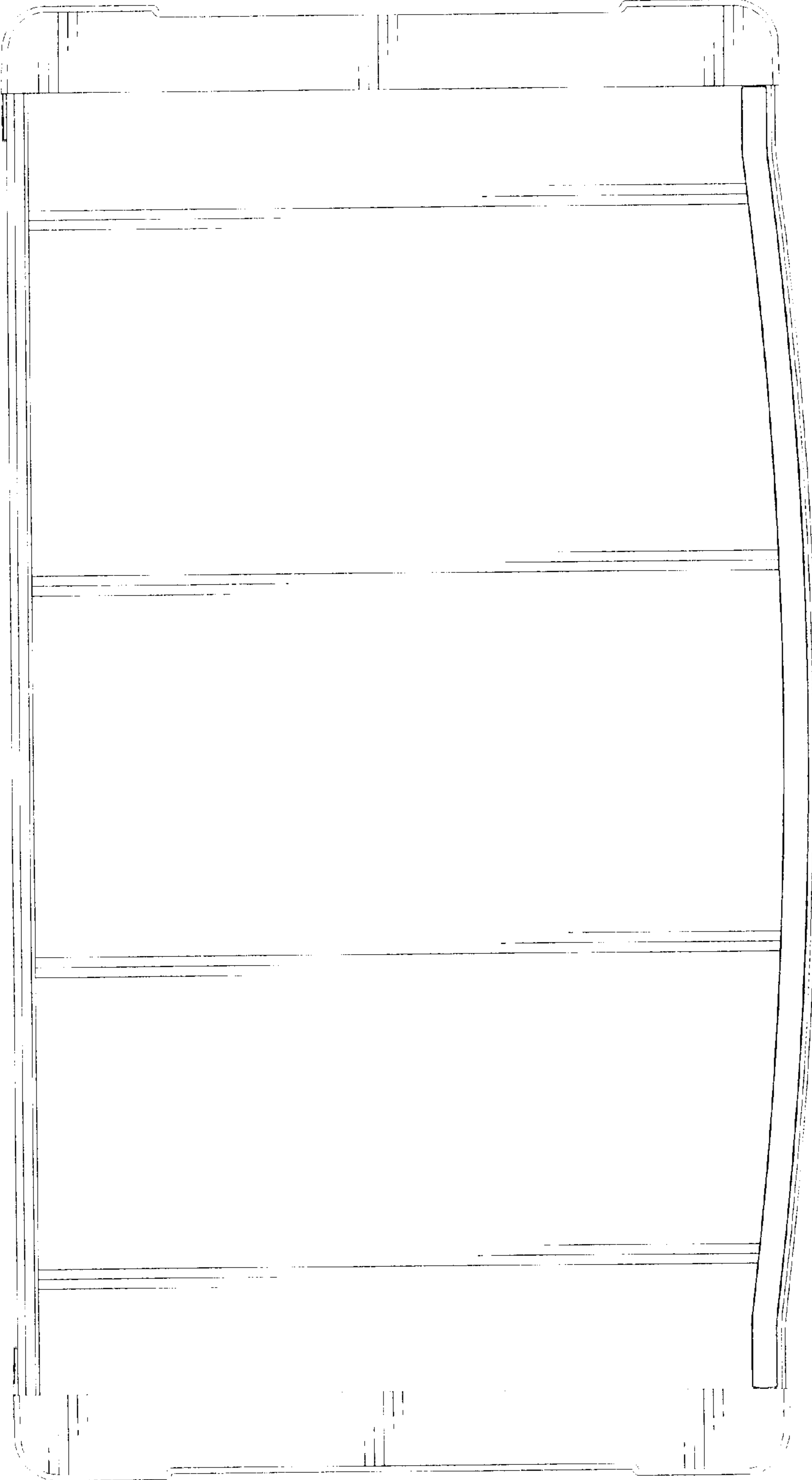


FIGURE 4