



US00D512862S

(12) **United States Design Patent**  
**Hoernig**

(10) **Patent No.:** **US D512,862 S**

(45) **Date of Patent:** **\*\* Dec. 20, 2005**

(54) **SOAP DISH**

(75) **Inventor:** **Victor Hoernig**, Lowell, IN (US)

(73) **Assignee:** **Brasstech, Inc.**, Santa Ana, CA (US)

(\*\*) **Term:** **14 Years**

(21) **Appl. No.:** **29/215,173**

(22) **Filed:** **Oct. 14, 2004**

(51) **LOC (6) Cl.** ..... **23-02**

(52) **U.S. Cl.** ..... **D6/540**

(58) **Field of Search** ..... D6/536-540, 532,  
D6/574; 211/13.1, 126.1, 134, 86.01, 87.01,  
88.01, 90.01; 206/77.1; 348/305.1

(56) **References Cited**

**U.S. PATENT DOCUMENTS**

- D241,199 S \* 8/1976 Haberd ..... D6/540
- D291,638 S \* 9/1987 Chap ..... D6/540
- D369,050 S \* 4/1996 Sargent et al. .... D6/540

- D433,858 S \* 11/2000 Gastelum et al. .... D6/540
- D443,779 S \* 6/2001 Moore ..... D6/540
- D496,816 S \* 10/2004 Hoernig ..... D6/540

\* cited by examiner

*Primary Examiner*—Brian N Vinson

(74) *Attorney, Agent, or Firm*—Edgar A. Zarins; Lloyd D. Doigan

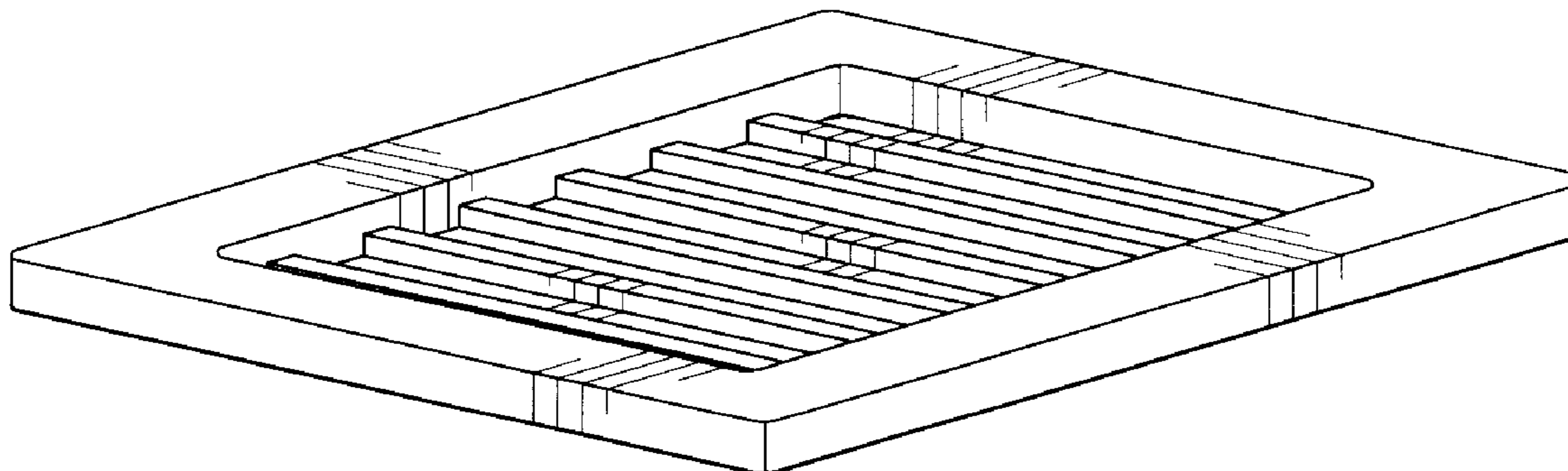
(57) **CLAIM**

The ornamental design for a soap dish, as shown and described.

**DESCRIPTION**

FIG. 1 is a perspective view of a soap dish showing my new design;  
 FIG. 2 is a top plan view thereof;  
 FIG. 3 is a front elevational view thereof;  
 FIG. 4 is a bottom view thereof; and,  
 FIG. 5 is a left side view thereof, the opposite side being a mirror image of the side shown.

**1 Claim, 2 Drawing Sheets**



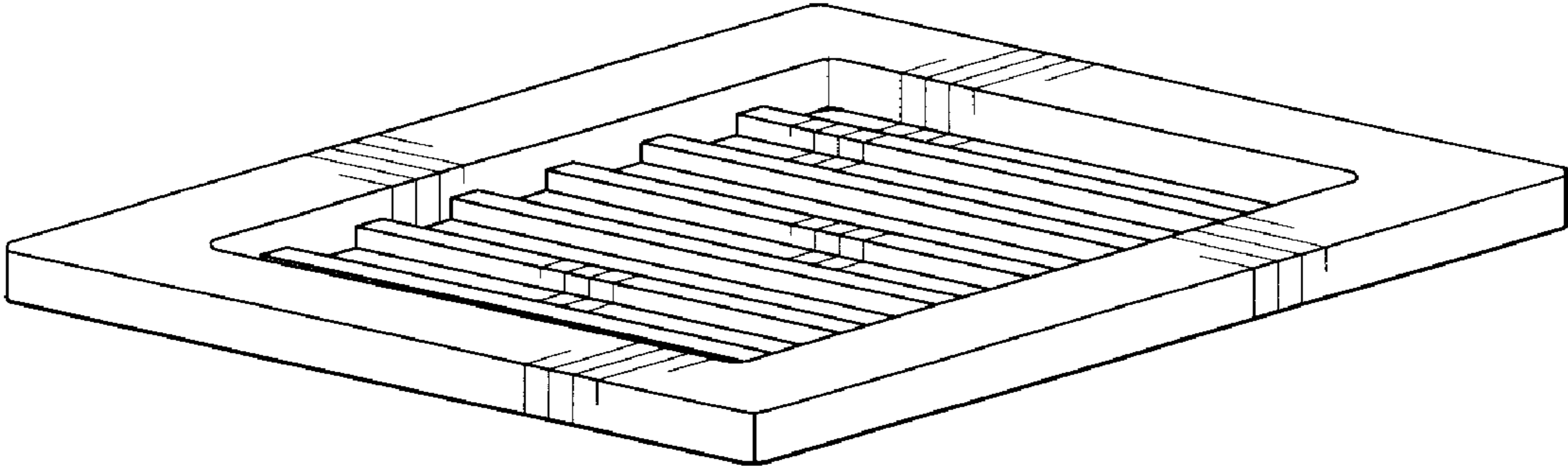


Fig-1

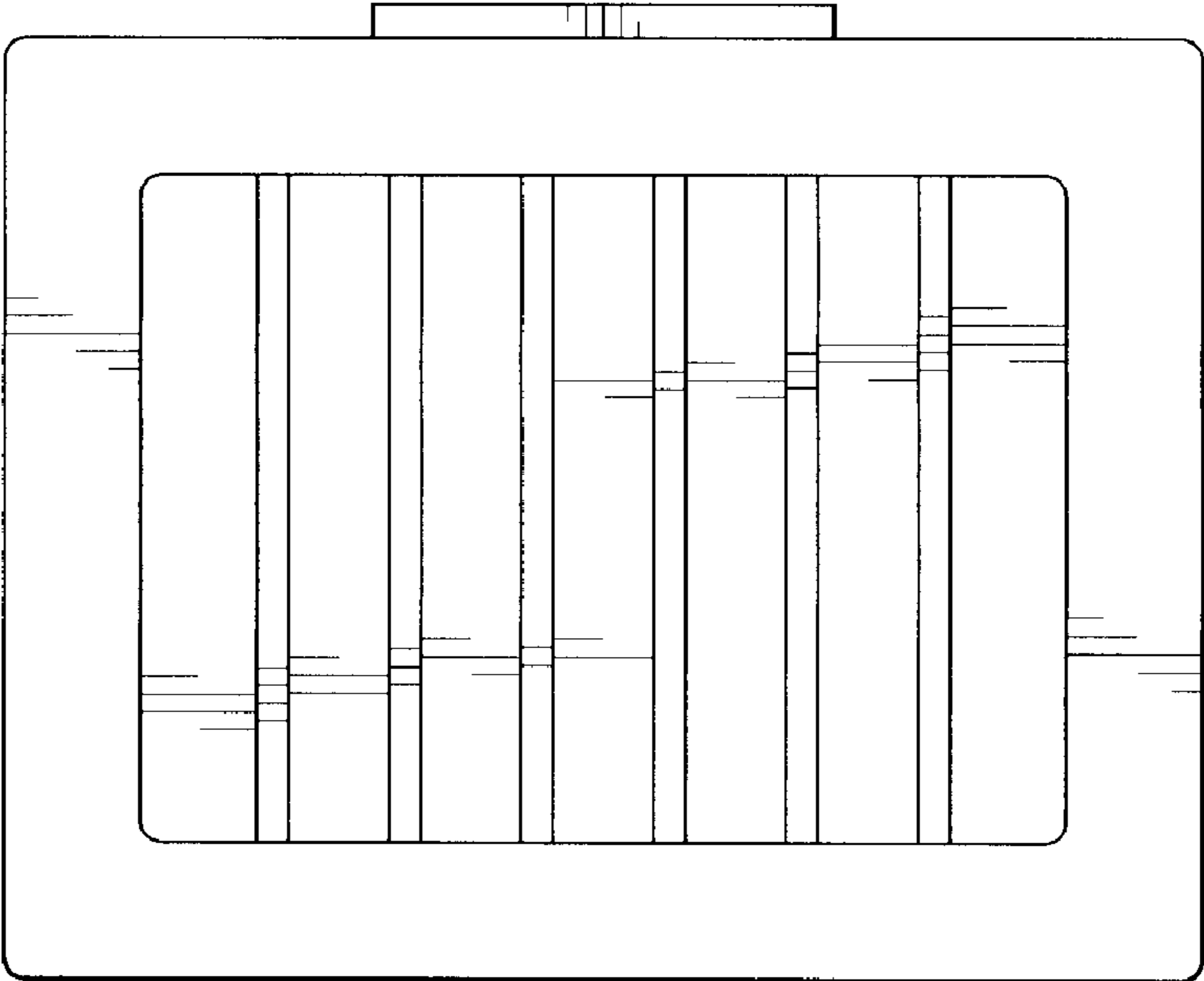


Fig-2

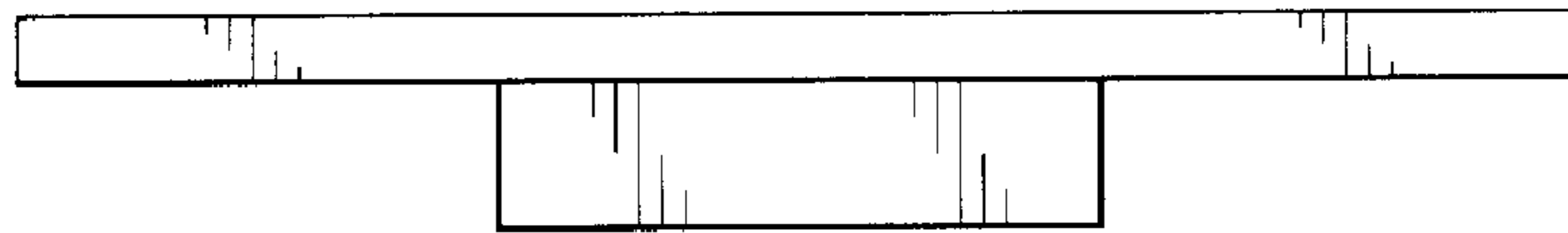


Fig-3

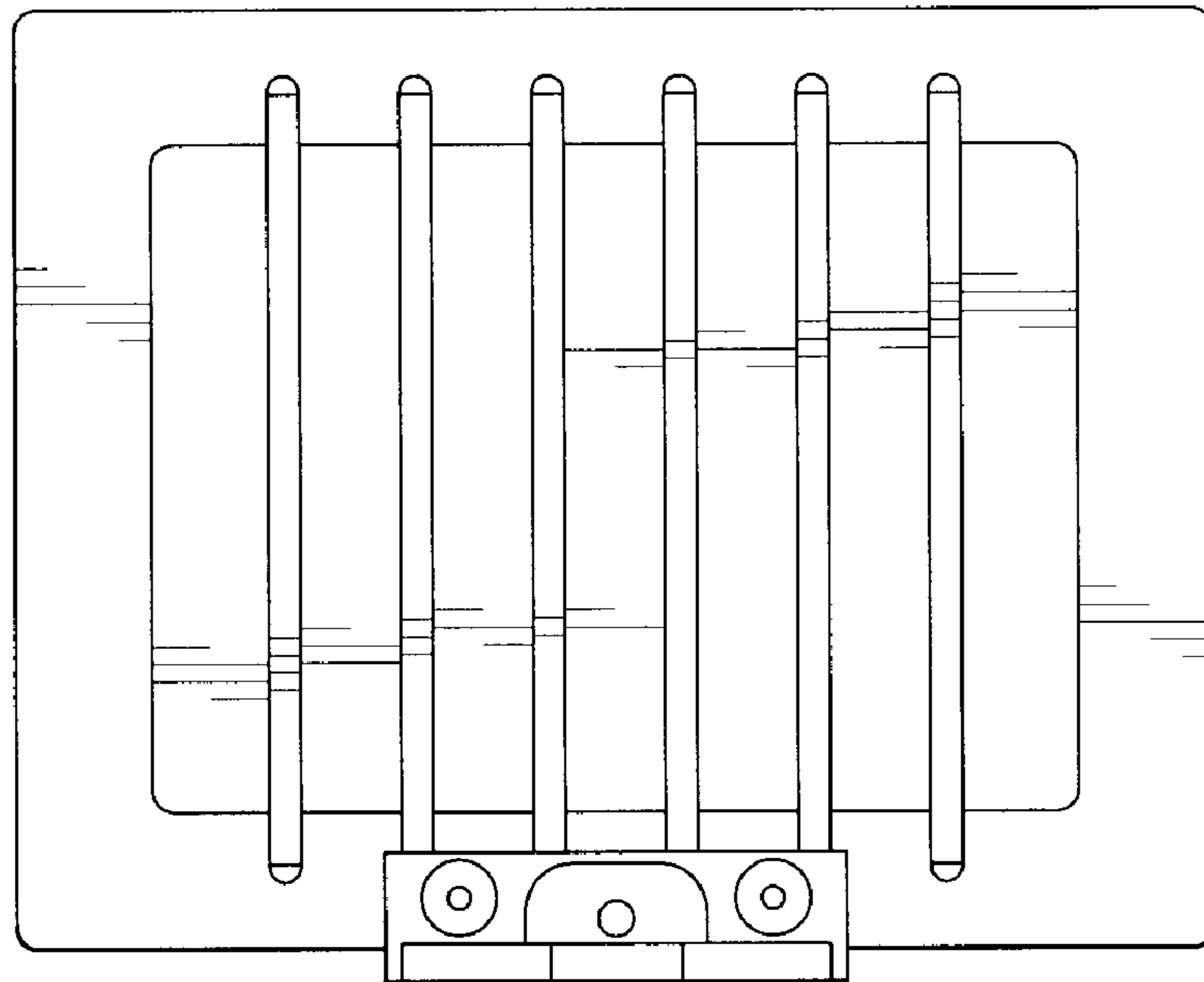


Fig-4

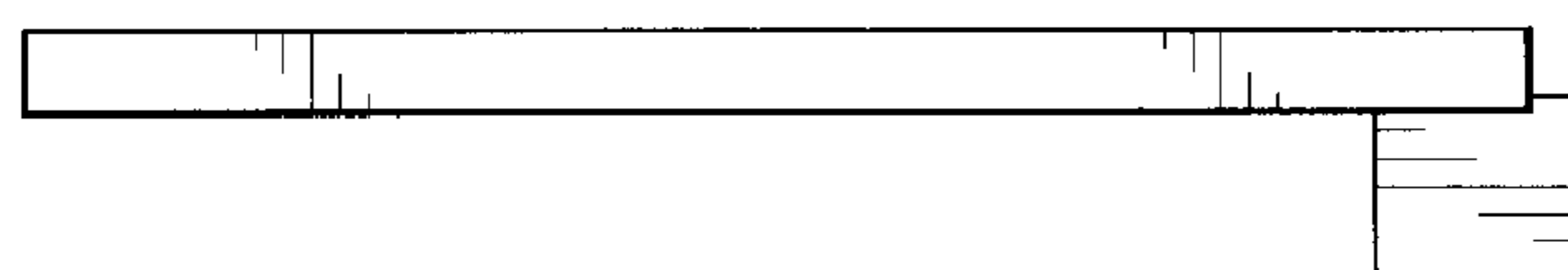


Fig-5