



US00D512859S

(12) **United States Design Patent**  
**Garvey**

(10) **Patent No.:** **US D512,859 S**

(45) **Date of Patent:** **\*\* Dec. 20, 2005**

(54) **FURNITURE SUPPORT**

(76) **Inventor:** **James Garvey**, 25 Peck Slip, 5th Fl.,  
New York, NY (US) 10038

(\*\*) **Term:** **14 Years**

(21) **Appl. No.:** **29/201,596**

(22) **Filed:** **Mar. 17, 2004**

(51) **LOC (6) Cl.** ..... **06-06**

(52) **U.S. Cl.** ..... **D6/499**

(58) **Field of Search** ..... D6/480-489, 495-499,  
D6/511; 108/153.1, 155, 156, 157.1, 161;  
248/188, 188.1, 188.8

(56) **References Cited**

**U.S. PATENT DOCUMENTS**

|            |   |         |                   |       |         |
|------------|---|---------|-------------------|-------|---------|
| D155,125 S | * | 9/1949  | Castelli          | ..... | D6/488  |
| D229,902 S | * | 1/1974  | David             | ..... | D3/23   |
| D230,164 S | * | 1/1974  | Young             | ..... | D30/106 |
| D233,108 S | * | 10/1974 | Roen              | ..... | D6/484  |
| D267,610 S | * | 1/1983  | Reistetter et al. | ..... | D6/487  |
| D436,472 S | * | 1/2001  | Allen             | ..... | D6/498  |

\* cited by examiner

*Primary Examiner*—Janice E. Seeger

(74) *Attorney, Agent, or Firm*—Luedeka, Neely & Graham,  
P.C.

(57) **CLAIM**

The ornamental design of the furniture support, as shown and described.

**DESCRIPTION**

FIG. 1 is a perspective view of a furniture support;

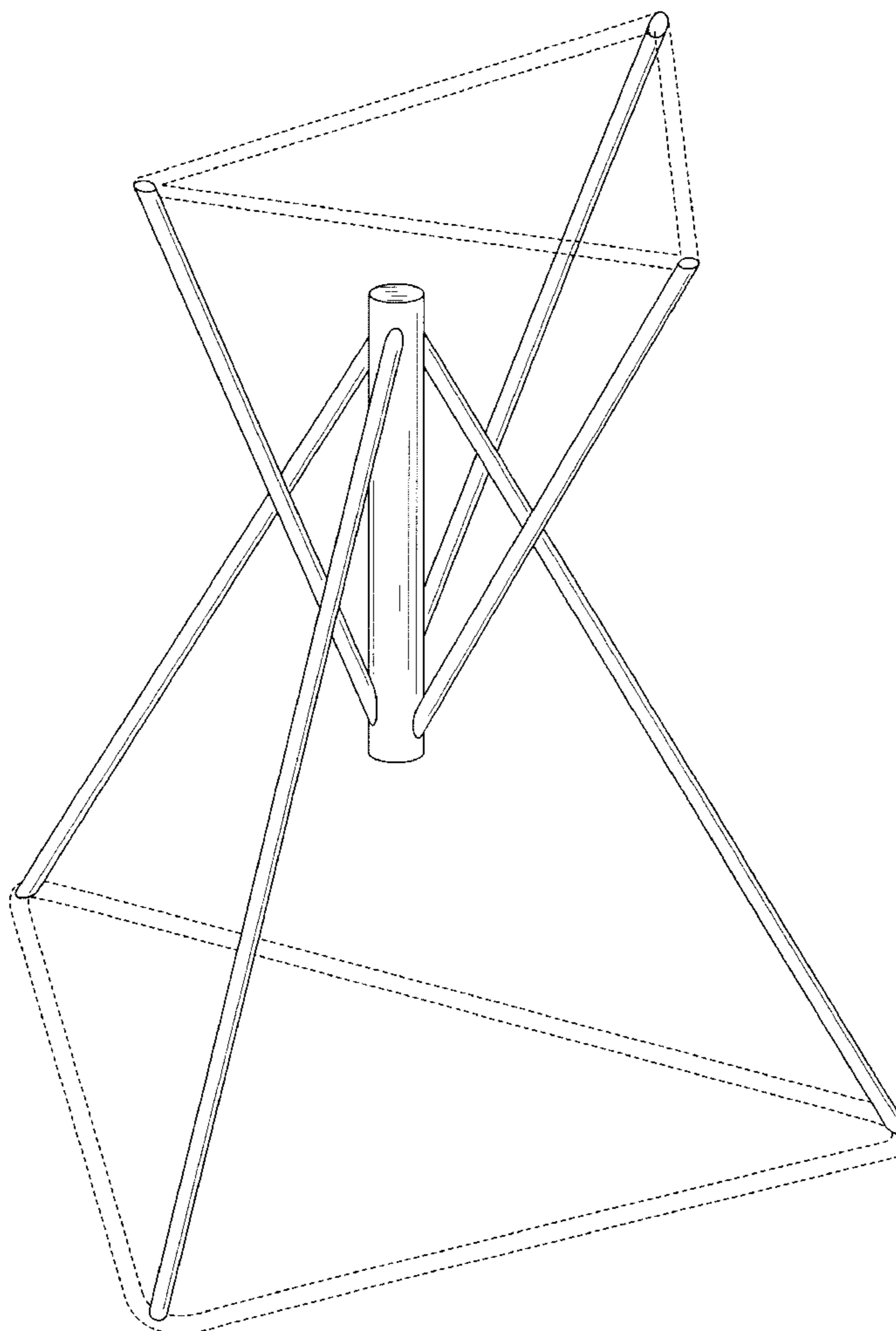
FIG. 2 is a left side elevational view, the right side being a mirror image thereof;

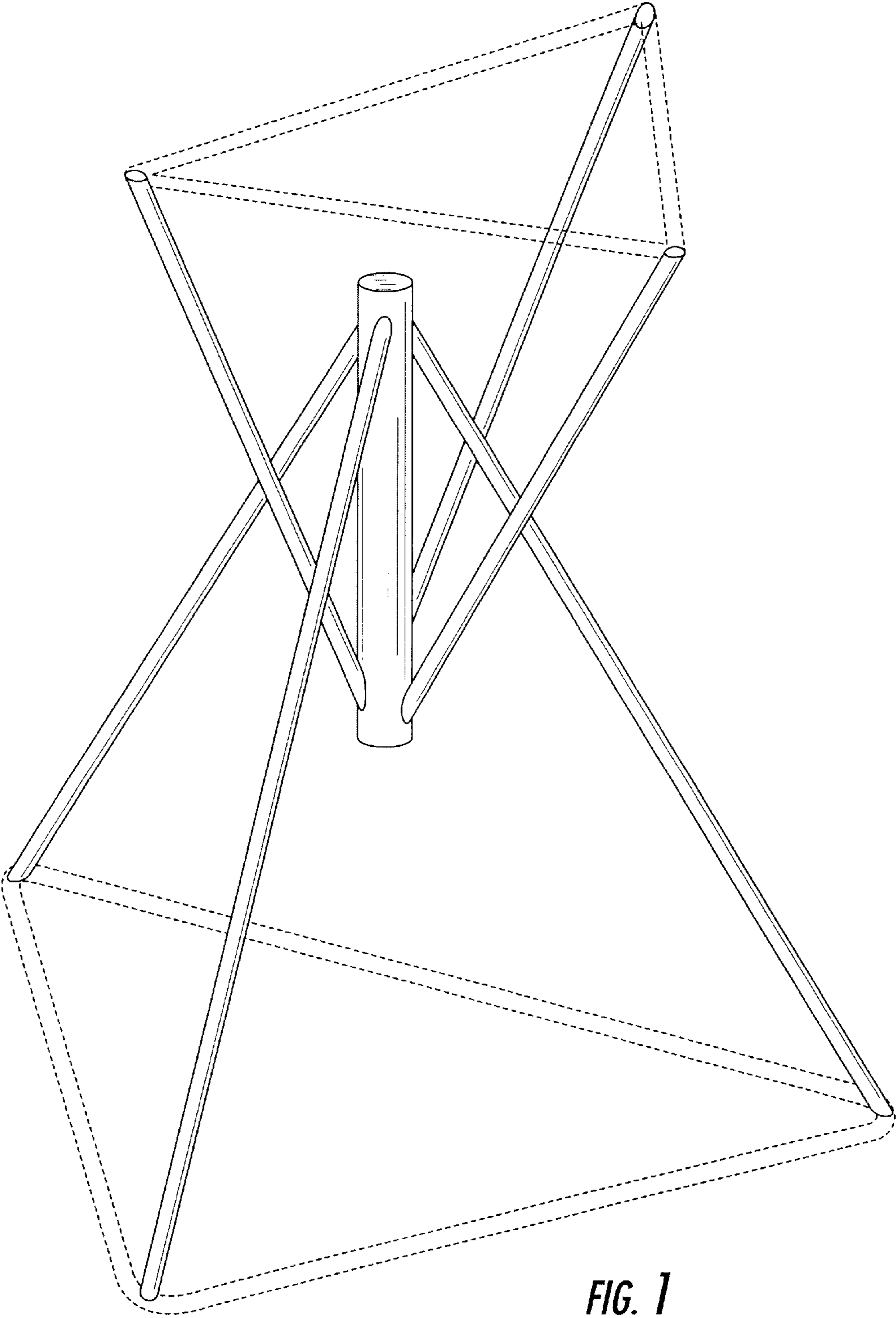
FIG. 3 is a front elevational view, the rear being a mirror image thereof; and,

FIG. 4 is a top view, the bottom being a mirror image thereof.

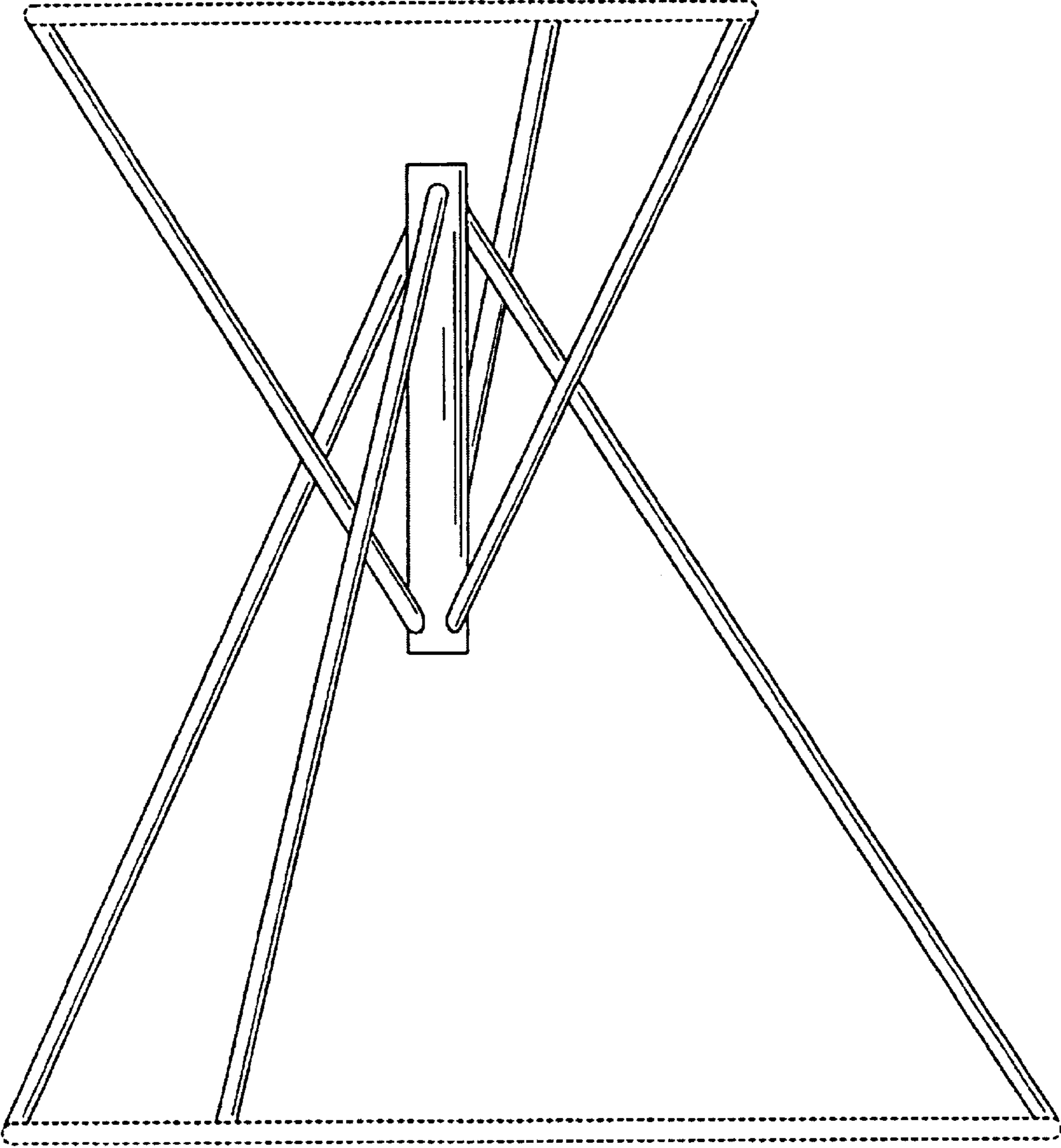
The broken line showing of a triangular structure at the top and bottom of the support structure illustrates the environment of the support structure; is for illustrative purposes only; and forms no part of the claimed design.

**1 Claim, 4 Drawing Sheets**

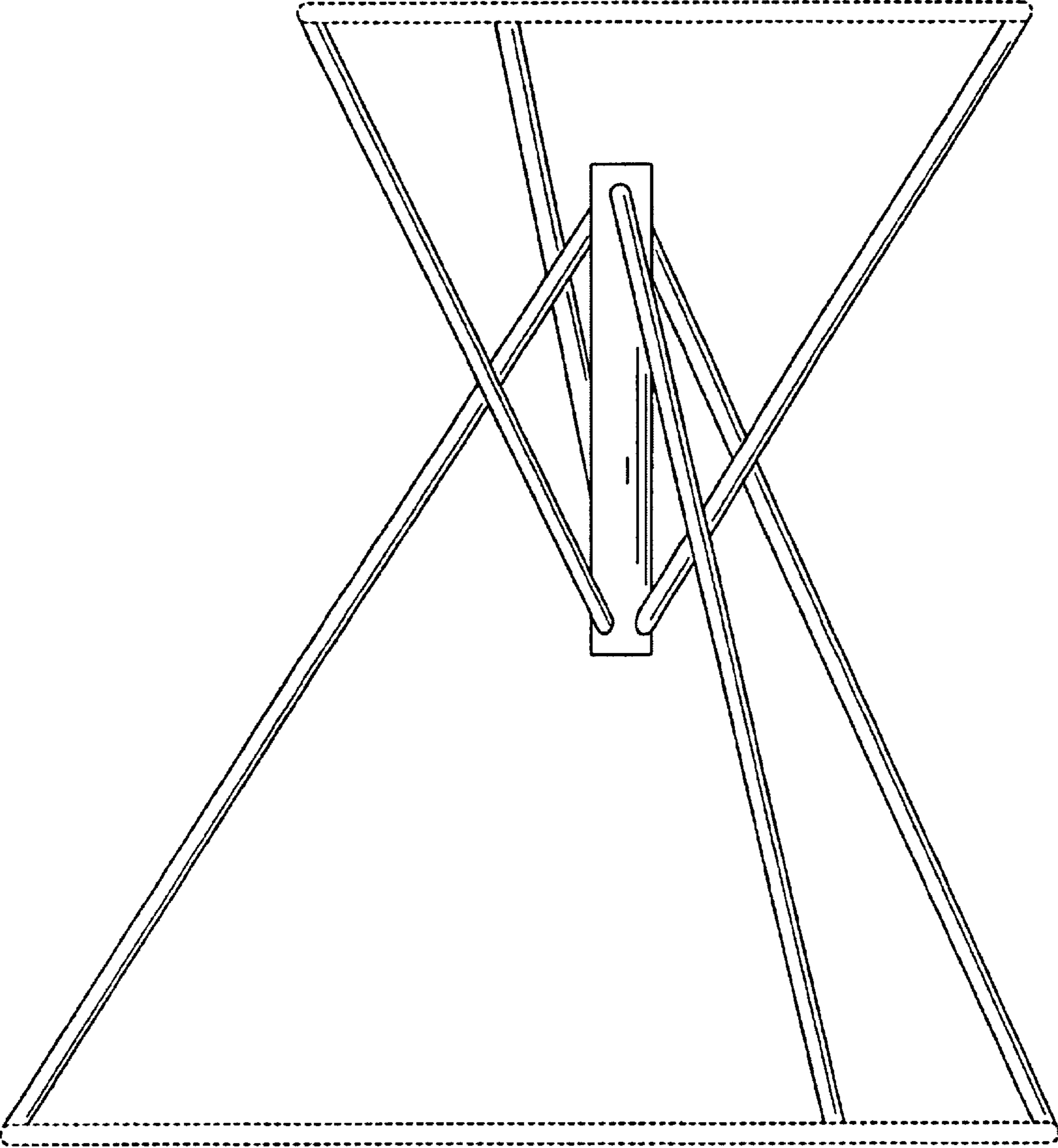




**FIG. 1**



**FIG. 2**



**FIG. 3**

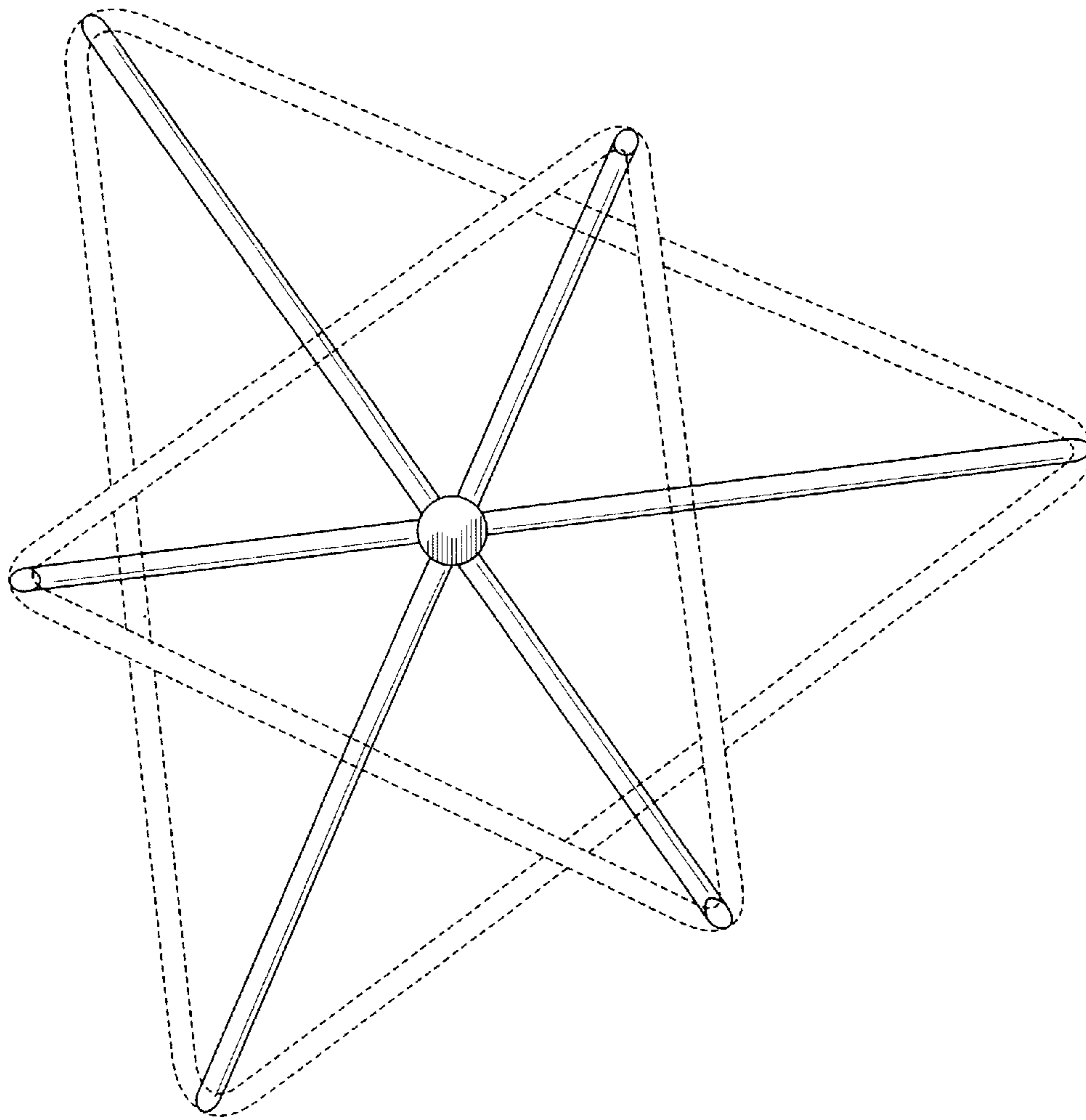


FIG. 4