



US00D512857S

(12) **United States Design Patent** (10) **Patent No.:** **US D512,857 S**
Katz et al. (45) **Date of Patent:** **** Dec. 20, 2005**

(54) **TABLE**

(75) Inventors: **Jeffrey B. Katz**, Hickory, NC (US);
Gary A. Huffstetler, Lenoir, NC (US);
Scott C. Dergins, Morganton, NC (US)

(73) Assignee: **Broyhill Furniture Industries, Inc.**,
Lenoir, NC (US)

(**) Term: **14 Years**

(21) Appl. No.: **29/202,853**

(22) Filed: **Apr. 6, 2004**

(51) **LOC (6) Cl.** **06-03**

(52) **U.S. Cl.** **D6/480**

(58) **Field of Search** D6/480-489, 495-499,
D6/349, 477; 248/188, 188.1, 188.8, 188.9;
108/153.1, 155, 156, 157.1, 161, 150

(56) **References Cited**

U.S. PATENT DOCUMENTS

D81,654 S	*	7/1930	Kopp	D6/486
D356,912 S	*	4/1995	Tatum et al.	D6/486
D408,659 S	*	4/1999	Mohundro	D6/486
D460,297 S	*	7/2002	Vaaler	D6/486

OTHER PUBLICATIONS

Progressive c1992, cocktail table in front.*
U.S. Appl. No. 29/185,588, filed Jun. 30, 2003, Katz et al.
U.S. Appl. No. 29/185,551, filed Jun. 30, 2003, Katz et al.
U.S. Appl. No. 29/185,550, filed Jun. 30, 2003, Katz et al.
U.S. Appl. No. 29/186,159, filed Jul. 10, 2003, Katz et al.

U.S. Appl. No. 29/185,574, filed Jun. 30, 2003, Katz et al.
U.S. Appl. No. 29/185,579, filed Jun. 27, 2003, Katz et al.
U.S. Appl. No. 29/185,566, filed Jun. 30, 2003, Katz et al.
U.S. Appl. No. 29/185,890, filed Jul. 3, 2003, Katz et al.
U.S. Appl. No. 29/185,623, filed Jun. 30, 2003, Katz et al.
U.S. Appl. No. 29/185,669, filed Jun. 20, 2003, Katz et al.
U.S. Appl. No. 29/185,896, filed Jul. 2, 2003, Katz et al.
U.S. Appl. No. 29/185,888, filed Jul. 2, 2003, Katz et al.
U.S. Appl. No. 29/186,062, filed Jul. 9, 2003, Katz et al.
U.S. Appl. No. 29/186,074, filed Jul. 9, 2003, Katz et al.
U.S. Appl. No. 29/186,171, filed Jul. 10, 2003, Katz et al.
U.S. Appl. No. 29/186,158, filed Jul. 10, 2003, Katz et al.
U.S. Appl. No. 29/185,897, filed Jul. 2, 2003, Katz et al.

(Continued)

Primary Examiner—Janice E. Seeger

(74) *Attorney, Agent, or Firm*—Thompson Coburn LLP

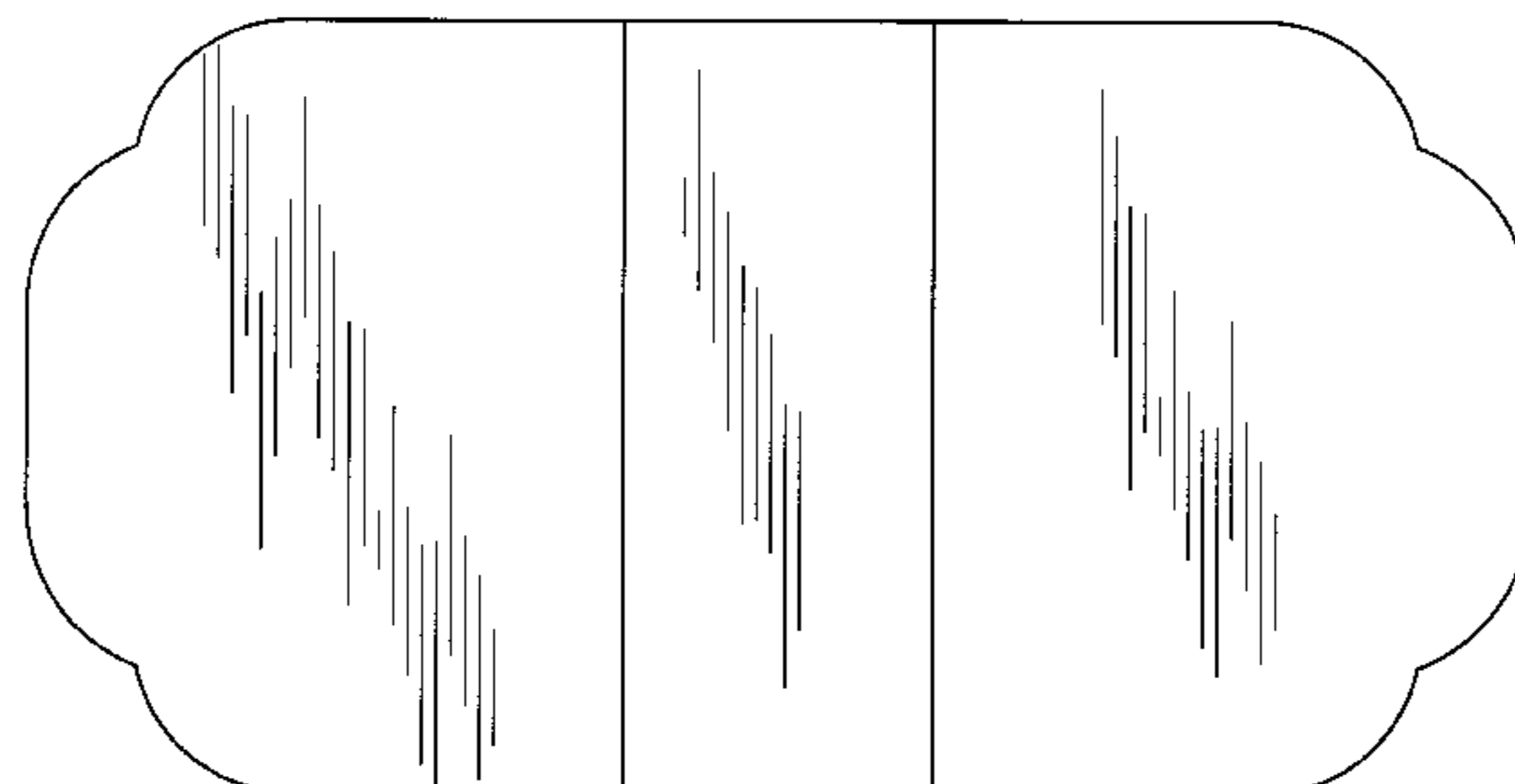
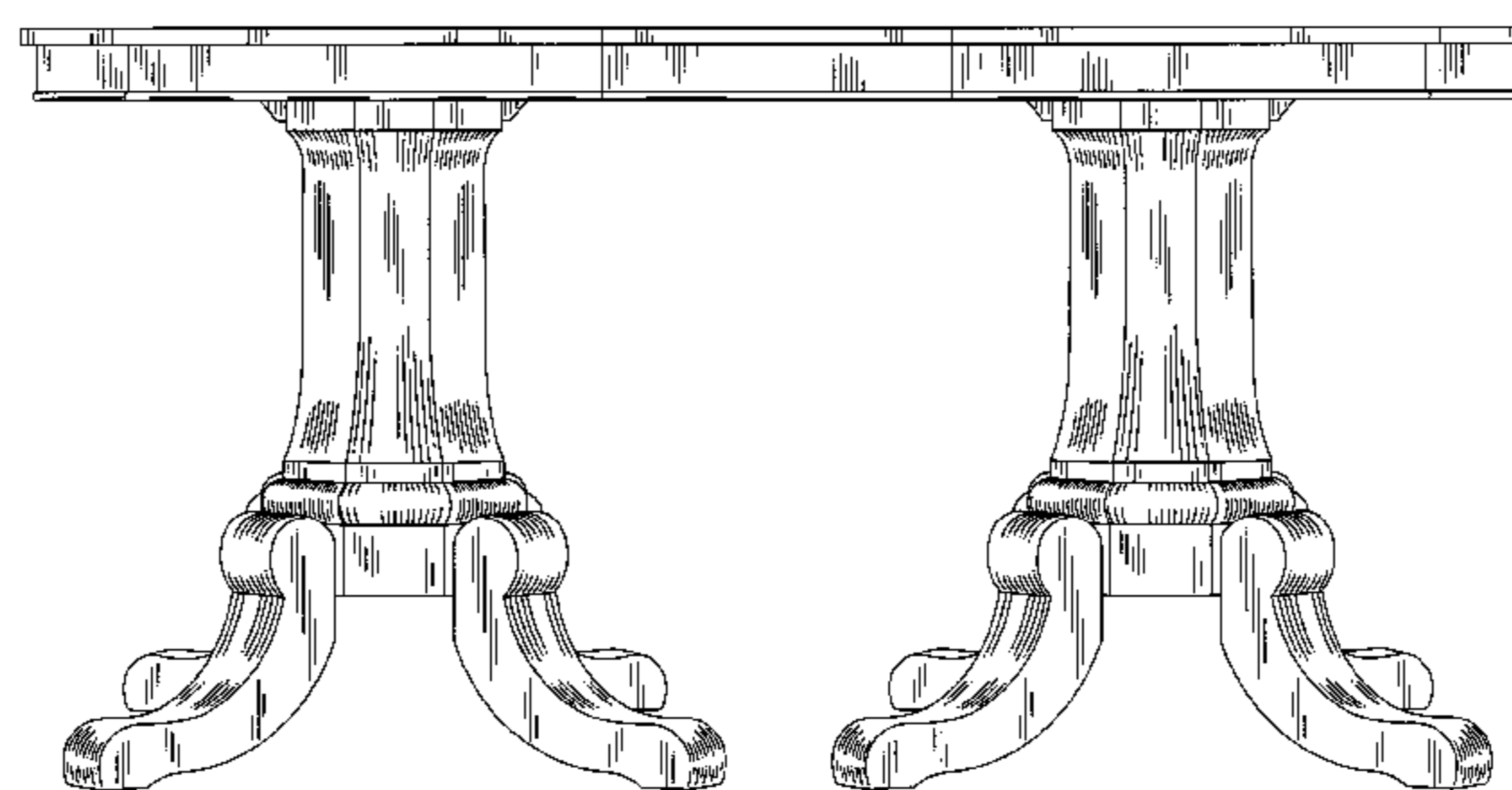
(57) **CLAIM**

The ornamental design for a table, as shown and described.

DESCRIPTION

FIG. 1 is a front perspective view of a table showing our new design;
FIG. 2 is a right side perspective view thereof, the left side being a mirror image of the right side; and,
FIG. 3 is a top plan view thereof.
The surfaces or portions of the article not shown in the Figures or described in the specification form no part of the claimed design.

1 Claim, 3 Drawing Sheets



OTHER PUBLICATIONS

U.S. Appl. No. 29/185,891, filed Jul. 3, 2003, Katz et al.
U.S. Appl. No. 29/185,511, filed Jun. 27, 2003, Katz et al.
U.S. Appl. No. 29/186,063, filed Jul. 9, 2003, Katz et al.
U.S. Appl. No. 29/185,445, filed Jun. 27, 2003, Katz et al.
U.S. Appl. No. 29/186,157, filed Jul. 10, 2003, Katz et al.
U.S. Appl. No. 29/202,937, filed Apr. 7, 2004, Katz, et al.
U.S. Appl. No. 29/202,991, filed Apr. 7, 2004, Katz, et al.
U.S. Appl. No. 29/202,936, filed Apr. 7, 2004, Katz, et al.
U.S. Appl. No. 29/202,993, filed Apr. 7, 2004, Katz, et al.
U.S. Appl. No. 29/202,989, filed Apr. 7, 2004, Katz, et al.
U.S. Appl. No. 29/202,992, filed Apr. 7, 2004, Katz, et al.
U.S. Appl. No. 29/202,817, filed Apr. 5, 2004, Katz, et al.
U.S. Appl. No. 29/202,901, filed Apr. 6, 2004, Katz, et al.
U.S. Appl. No. 29/202,797, filed Apr. 5, 2004, Katz, et al.
U.S. Appl. No. 29/202,799, filed Apr. 5, 2004, Katz, et al.
U.S. Appl. No. 29/202,818, filed Apr. 5, 2004, Katz, et al.
U.S. Appl. No. 29/202,763, filed Apr. 5, 2004, Katz, et al.
U.S. Appl. No. 29/202,877, filed Apr. 6, 2004, Katz, et al.
U.S. Appl. No. 29/202,853, filed Apr. 6, 2004, Katz, et al.
U.S. Appl. No. 29/202,820, filed Apr. 5, 2004, Katz, et al.
U.S. Appl. No. 29/202,796, filed Apr. 5, 2004, Katz, et al.
U.S. Appl. No. 29/202,821, filed Apr. 5, 2004, Katz, et al.

U.S. Appl. No. 29/202,798, filed Apr. 5, 2004, Katz, et al.
U.S. Appl. No. 29/202,819, filed Apr. 5, 2004, Katz, et al.
U.S. Appl. No. 29/202,822, filed Apr. 5, 2004, Katz, et al.
U.S. Appl. No. 29/203,923, filed Apr. 21, 2004, Katz, et al.
Broyhill Furniture Industries, Compilation of Photos of Furniture Designs, unpublished. This compilation is a collection of photographs, advertisement, brochures, articles, etc. compiled, and pages numbered by the subject inventors. Most of the pages are of unknown dates, and are from unknown publications, but for purposes of examination, applicants admit to their publications more than one year prior to the filing date of the subject application.
Broyhill Furniture Industries, Compilation of Color Photos of Furniture Designs, unpublished. This compilation is a selection, reproduced in color for a clearer view of certain designs.
Miller, Judith, et al. Miller's Pine & Country Furniture Buying Guide. 195, pp. 21, 67-68, 113, 117, 132, 147-148, 165, 179, 198, 221, 233, 246-247. Miller's Publications Ltd., Tenterden, Kent, England.
Compilation beginning with American Antiques by Norman Hudson.

* cited by examiner

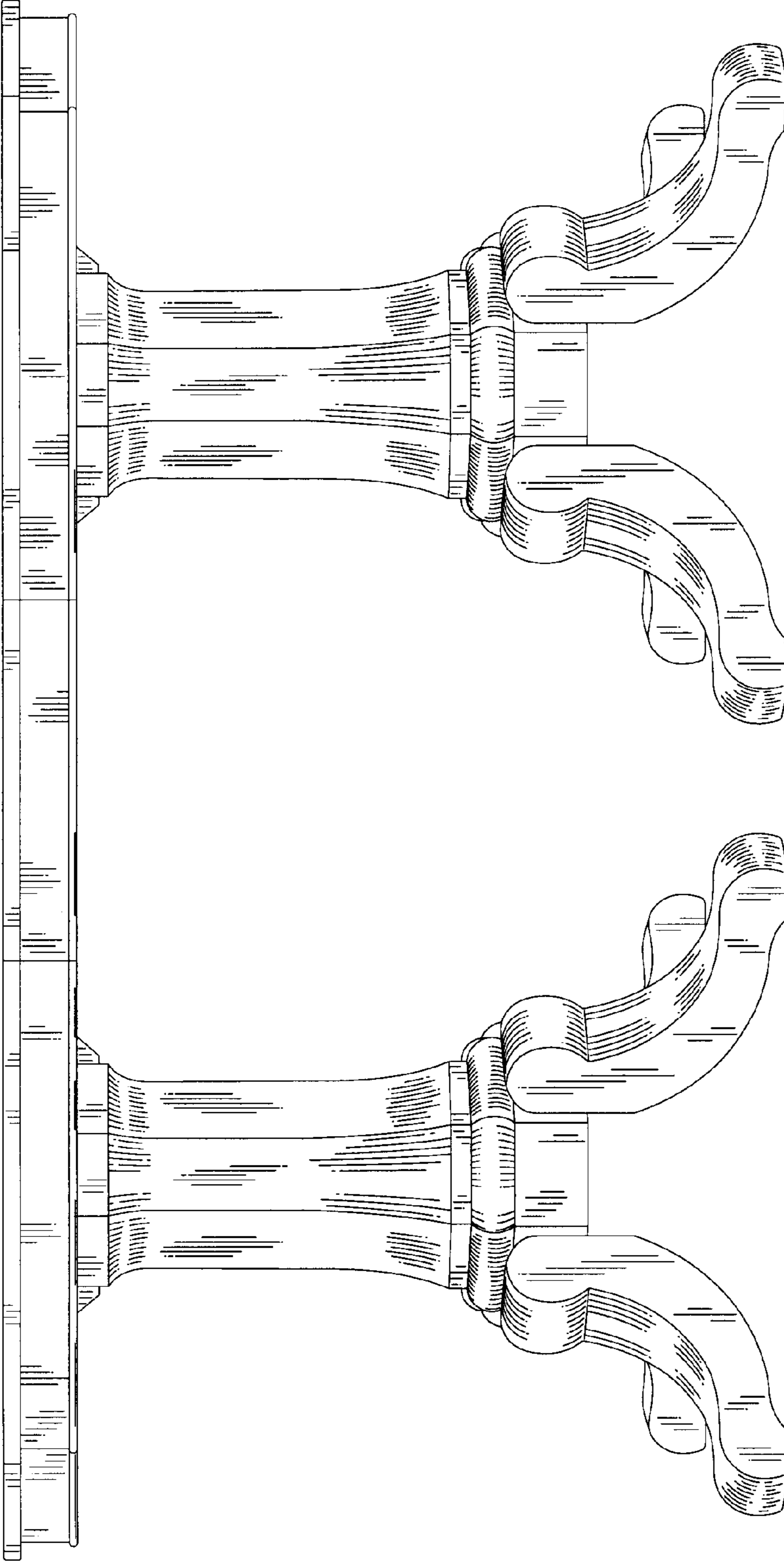


Figure 1

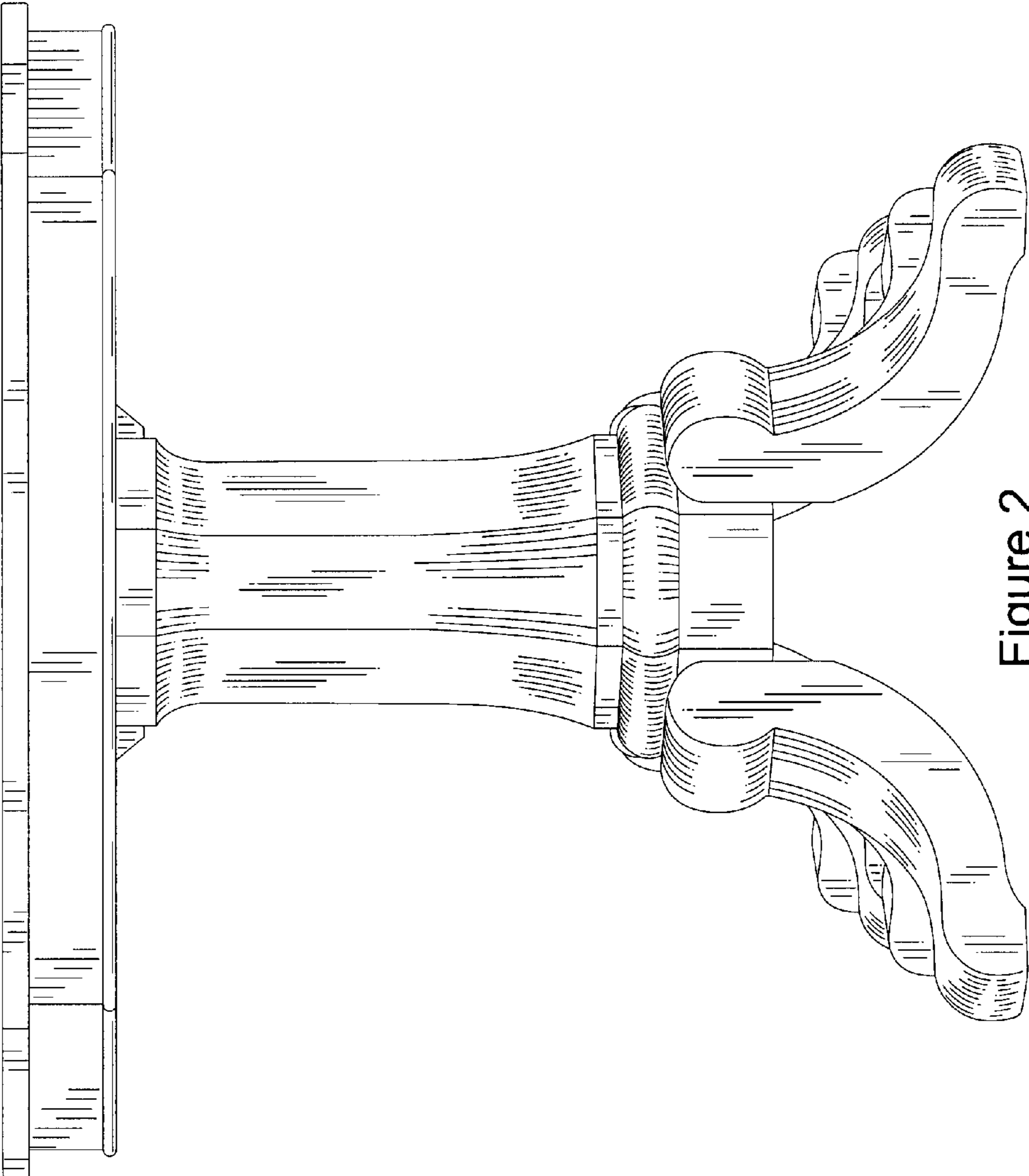


Figure 2

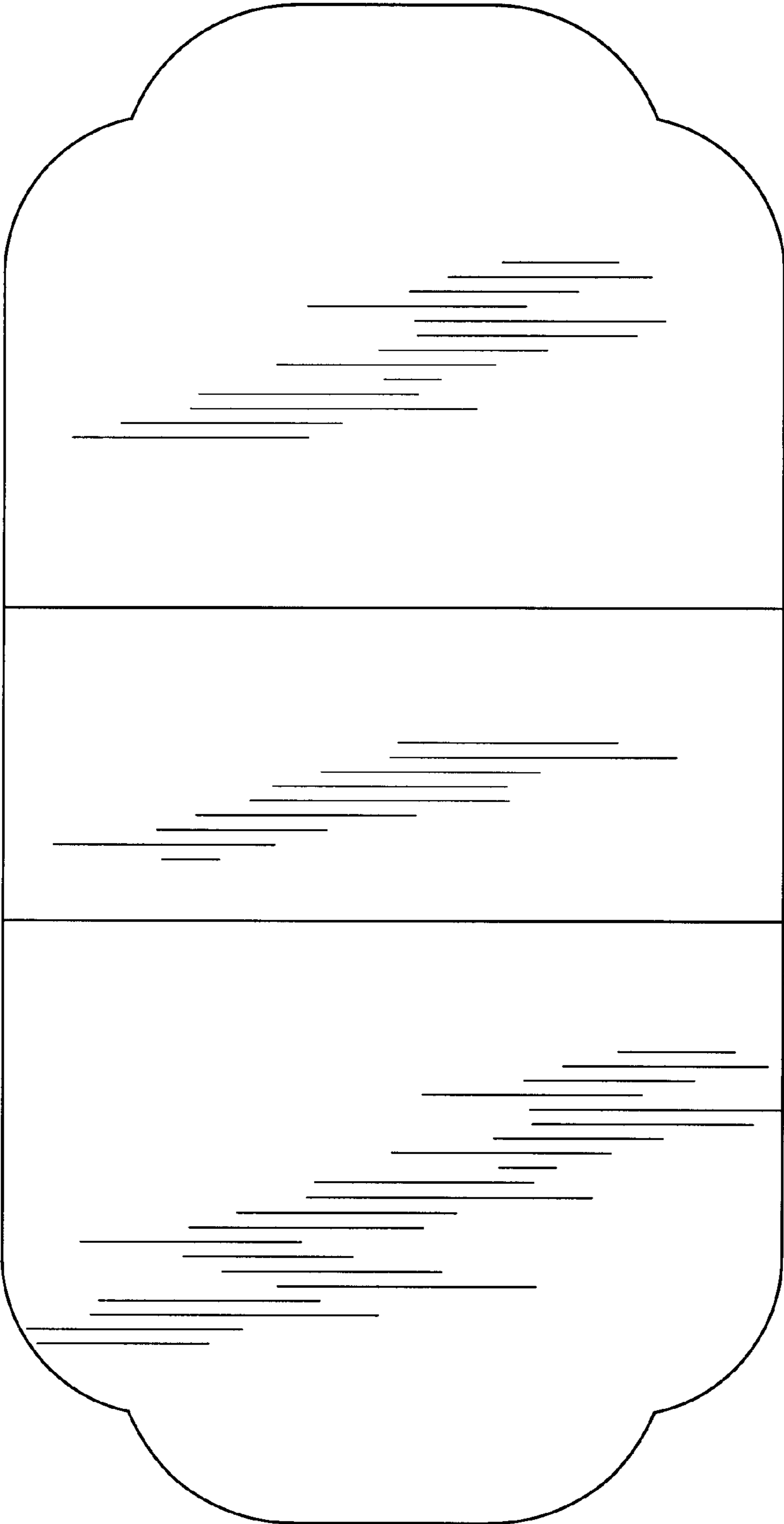


Figure 3