



US00D512856S

(12) **United States Design Patent** (10) **Patent No.:** **US D512,856 S**  
**Peterson et al.** (45) **Date of Patent:** **\*\* Dec. 20, 2005**

(54) **TABLE**

(75) Inventors: **Dale Peterson**, New York, NY (US);  
**Jonsara Ruth**, Brooklyn, NY (US);  
**Stacy Mar**, New York, NY (US);  
**Nathaniel Pearson**, Brooklyn, NY (US)

(73) Assignee: **Martha Stewart Living Omnimedia, Inc.**, New York, NY (US)

(\*\*) Term: **14 Years**

(21) Appl. No.: **29/202,633**

(22) Filed: **Apr. 1, 2004**

(51) **LOC (6) Cl.** ..... **06-03**

(52) **U.S. Cl.** ..... **D6/480**

(58) **Field of Search** ..... D6/480-489, 495-499,  
D6/511, 429-431; 108/153.1, 155, 156,  
157.1, 161, 69-71; 248/188, 188.1, 188.8

(56) **References Cited**

**U.S. PATENT DOCUMENTS**

751,221 A	*	2/1904	Thompson	108/69
D46,378 S	*	9/1914	Strobel	D6/480
D46,878 S	*	1/1915	Strobel	D8/12
D72,151 S	*	3/1927	Guth	D6/480
3,138,121 A	*	6/1964	Petrone	108/69

**OTHER PUBLICATIONS**

Lane, p. 61 table.\*  
Photos (4) of fireplace, and stair railings at The Mansion on Delaware Avenue, Buffalo, N.Y. taken in Mar. 2003—2 sheets.

Mar. 18, 2002 Website printout (one page)—www.home-portfolio.com/catalog/product.jhtml?roomId=11794&super-CatId=1&catID=135&prodId=20804.

Mar. 18, 2002 Website printout (one page)—www.home-portfolio.com/catalog/product.jhtml?roomId=11794&super-CatId=1&catID=135&prodId=24496.

Housebeautiful Magazine, May 2002, p. 123—1 sheet.

Photos (2) of table and chairs from Housebeautiful Magazine (www.housebeautiful.com), May 2002 edition—2 sheets.

Joy, Edward, Pictorial Dictionary of British 19<sup>th</sup> Century Furniture Design, The Antique Collector's Club, 1977—2 sheets.

\* cited by examiner

*Primary Examiner*—Janice E. Seeger

(74) *Attorney, Agent, or Firm*—Kenyon & Kenyon

(57) **CLAIM**

The ornamental design for a table, as shown and described.

**DESCRIPTION**

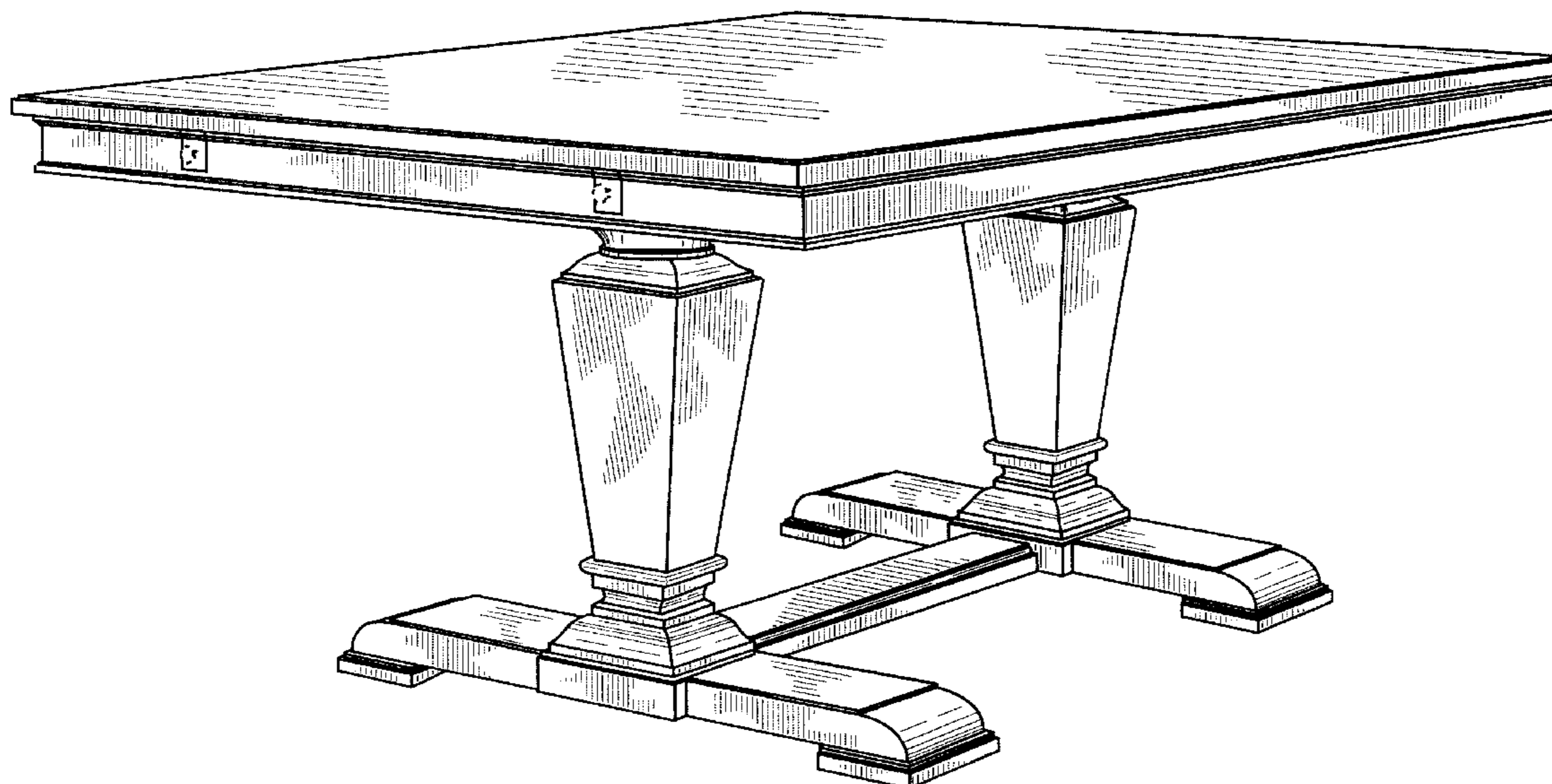
FIG. 1 is a perspective view of an embodiment of a table showing my new design;

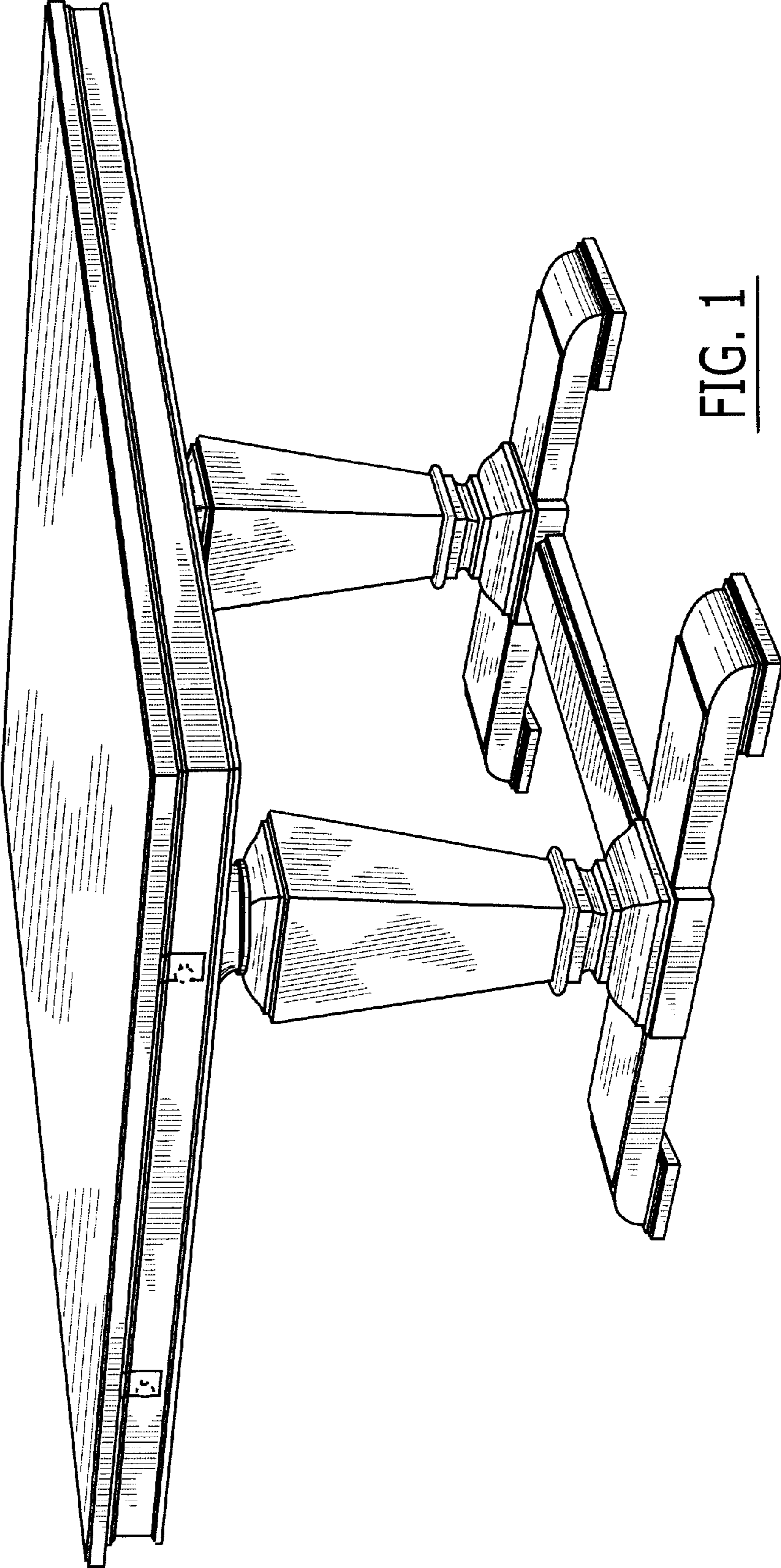
FIG. 2 is a front view thereof, the rear view being identical; FIG. 3 is a side view thereof, the opposite side view being identical; and,

FIG. 4 is a top view thereof.

The broken line portions are for illustrative purposes only and form no part of the claimed design.

**1 Claim, 3 Drawing Sheets**





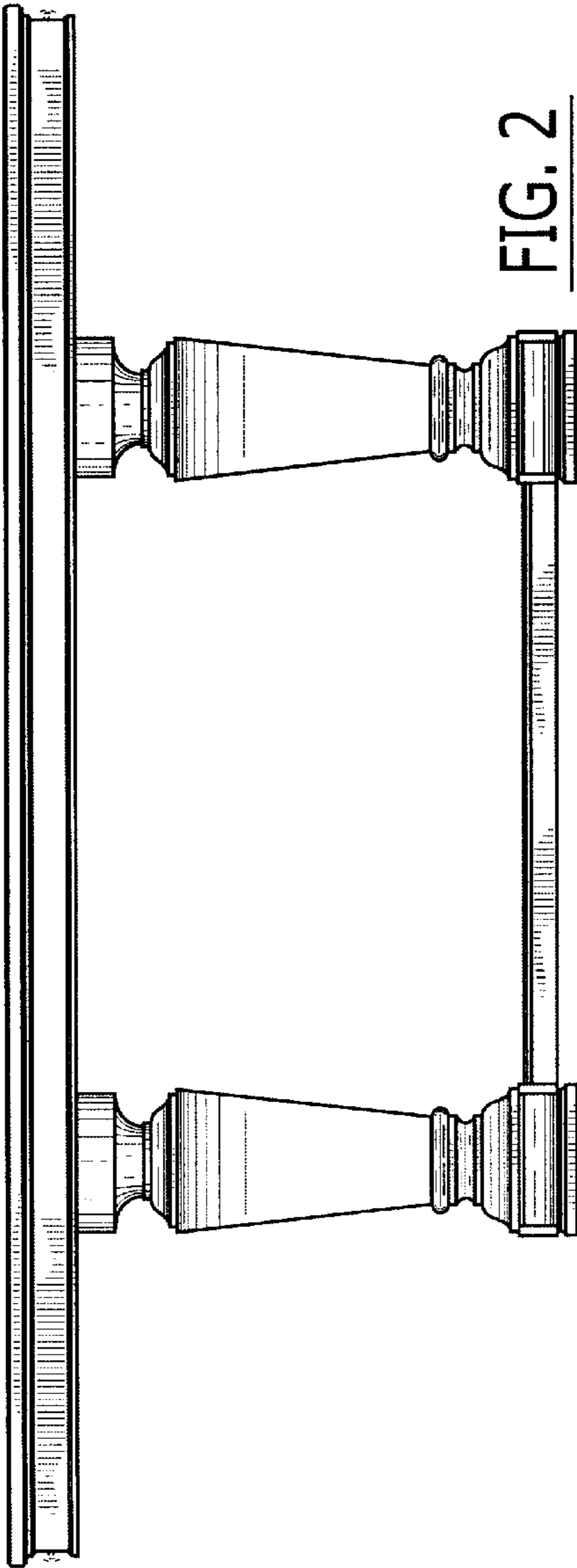


FIG. 2

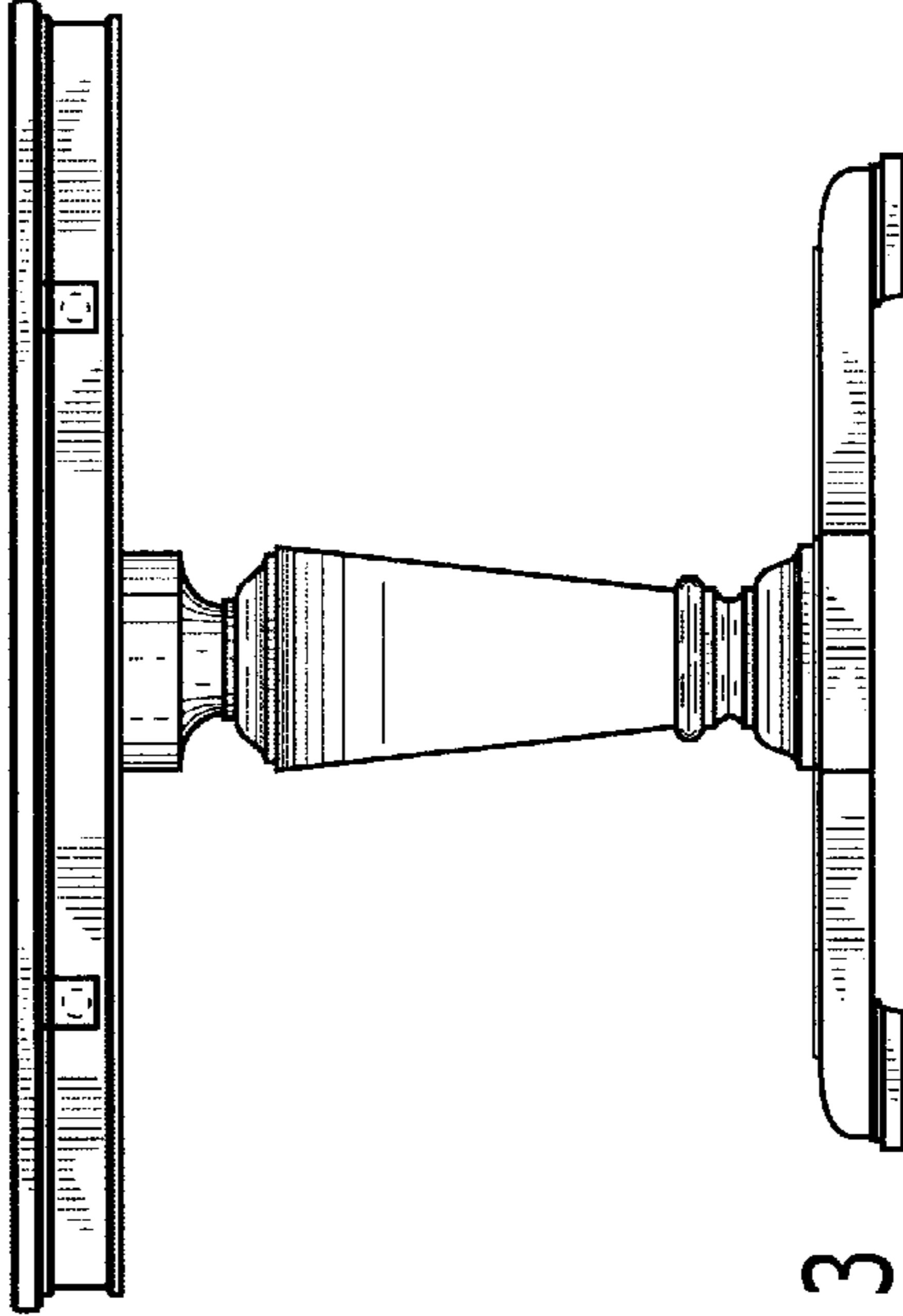


FIG. 3

FIG. 4

