

US00D512851S

(12) **United States Design Patent**
Chang

(10) **Patent No.:** **US D512,851 S**

(45) **Date of Patent:** **** Dec. 20, 2005**

(54) **COMPUTER TABLE**

(76) **Inventor:** **Chien-Kuo Chang**, P.O. Box 36-80,
Taichung City (TW)

(**) **Term:** **14 Years**

(21) **Appl. No.:** **29/211,822**

(22) **Filed:** **Aug. 23, 2004**

(51) **LOC (6) Cl.** **06-03**

(52) **U.S. Cl.** **D6/425; D6/426**

(58) **Field of Search** **D6/422-428; 108/50.01,**
108/50.02; 312/194-196, 208.1, 208.2

(56) **References Cited**

U.S. PATENT DOCUMENTS

D368,813 S	*	4/1996	Patton	D6/425
D428,557 S	*	7/2000	Chang	D6/422
D478,225 S	*	8/2003	Wang	D6/426
D495,525 S	*	9/2004	Chang	D6/422

* cited by examiner

Primary Examiner—Janice E. Seeger

(74) *Attorney, Agent, or Firm*—Charles E. Baxley

(57) **CLAIM**

The ornamental design for a computer table, as shown and described.

DESCRIPTION

FIG. 1 is a perspective view of a computer table showing our new design thereof;

FIG. 2 is a front elevational view thereof;

FIG. 3 is a rear elevational view thereof;

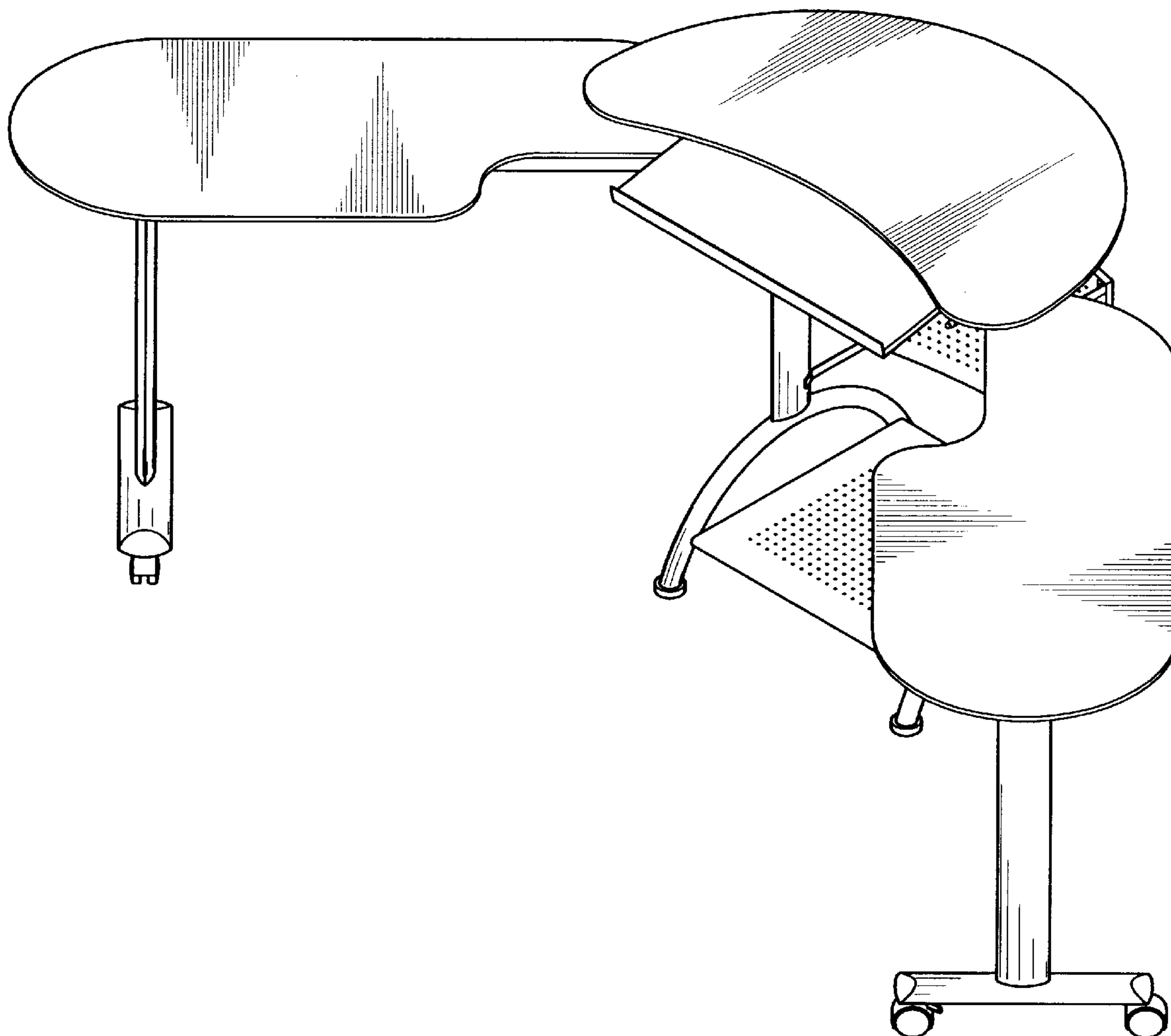
FIG. 4 is a left side elevational view thereof;

FIG. 5 is a right side elevational view thereof;

FIG. 6 is a top plan view thereof; and,

FIG. 7 is a bottom plan view thereof.

1 Claim, 7 Drawing Sheets



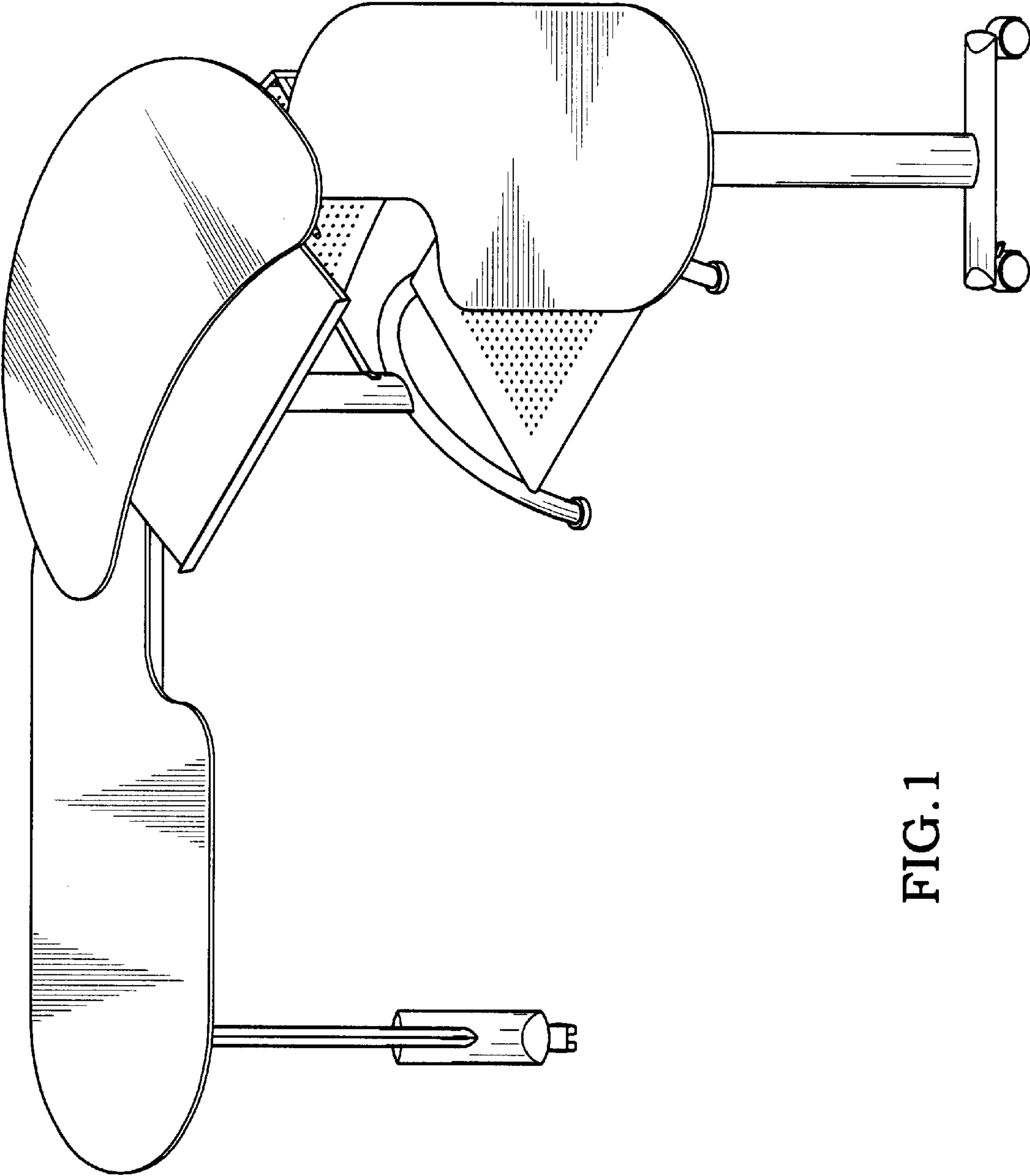


FIG. 1

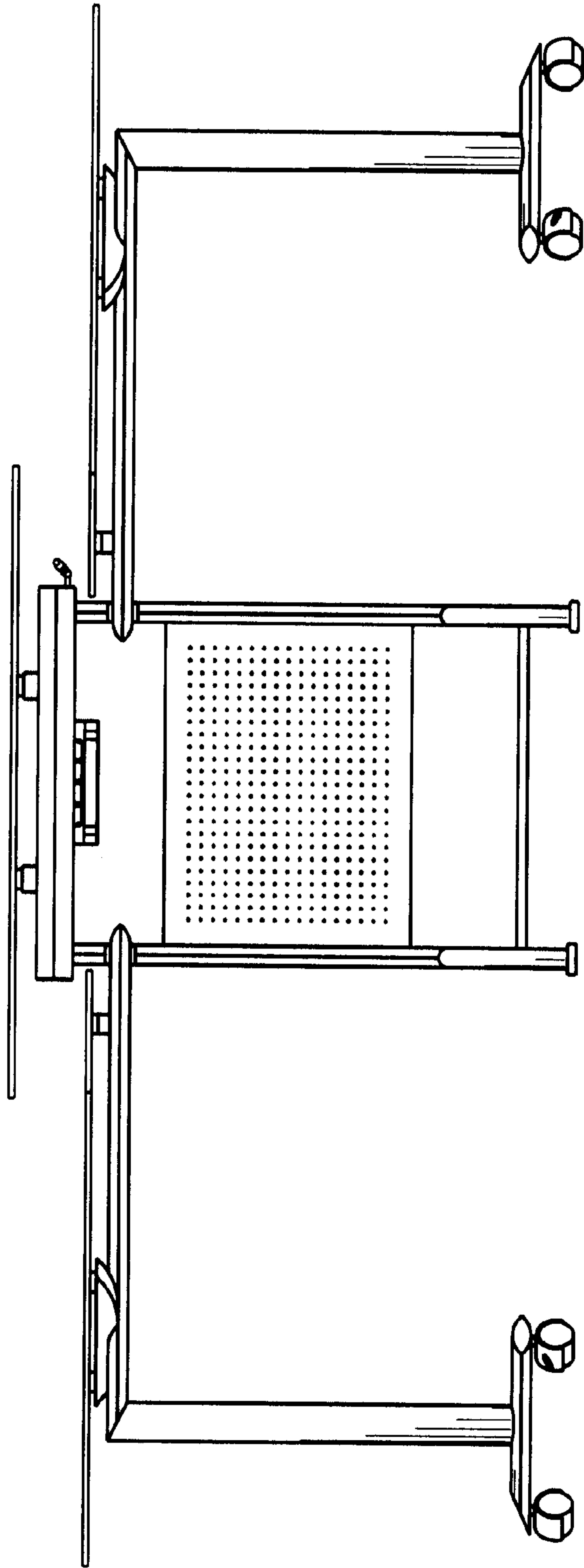


FIG. 2

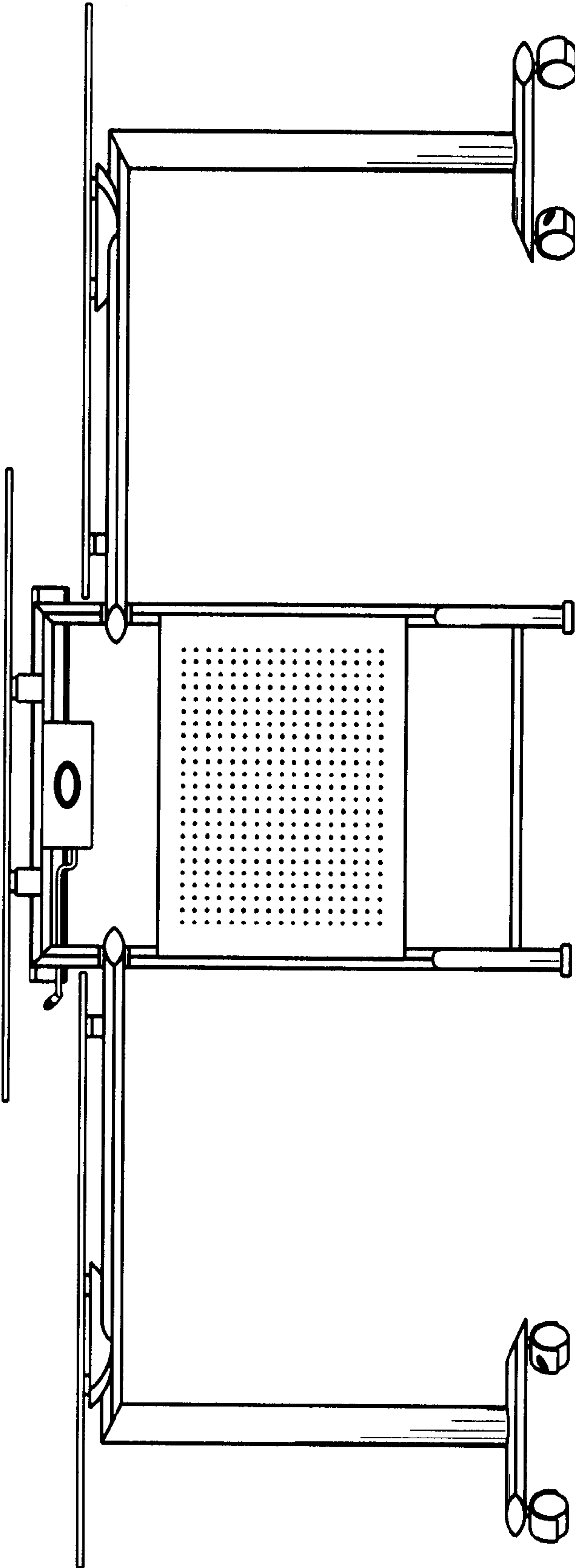


FIG. 3

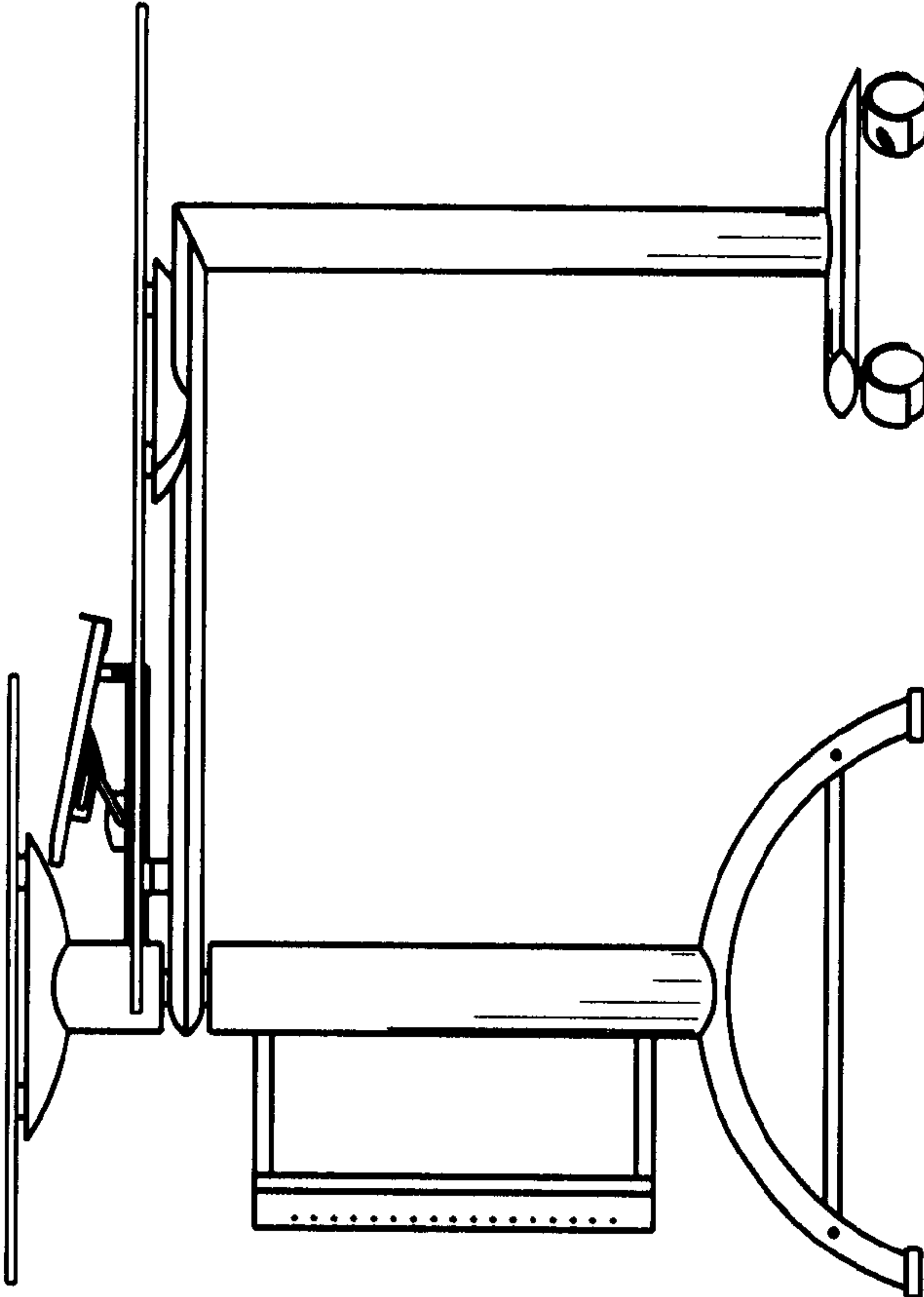


FIG.4

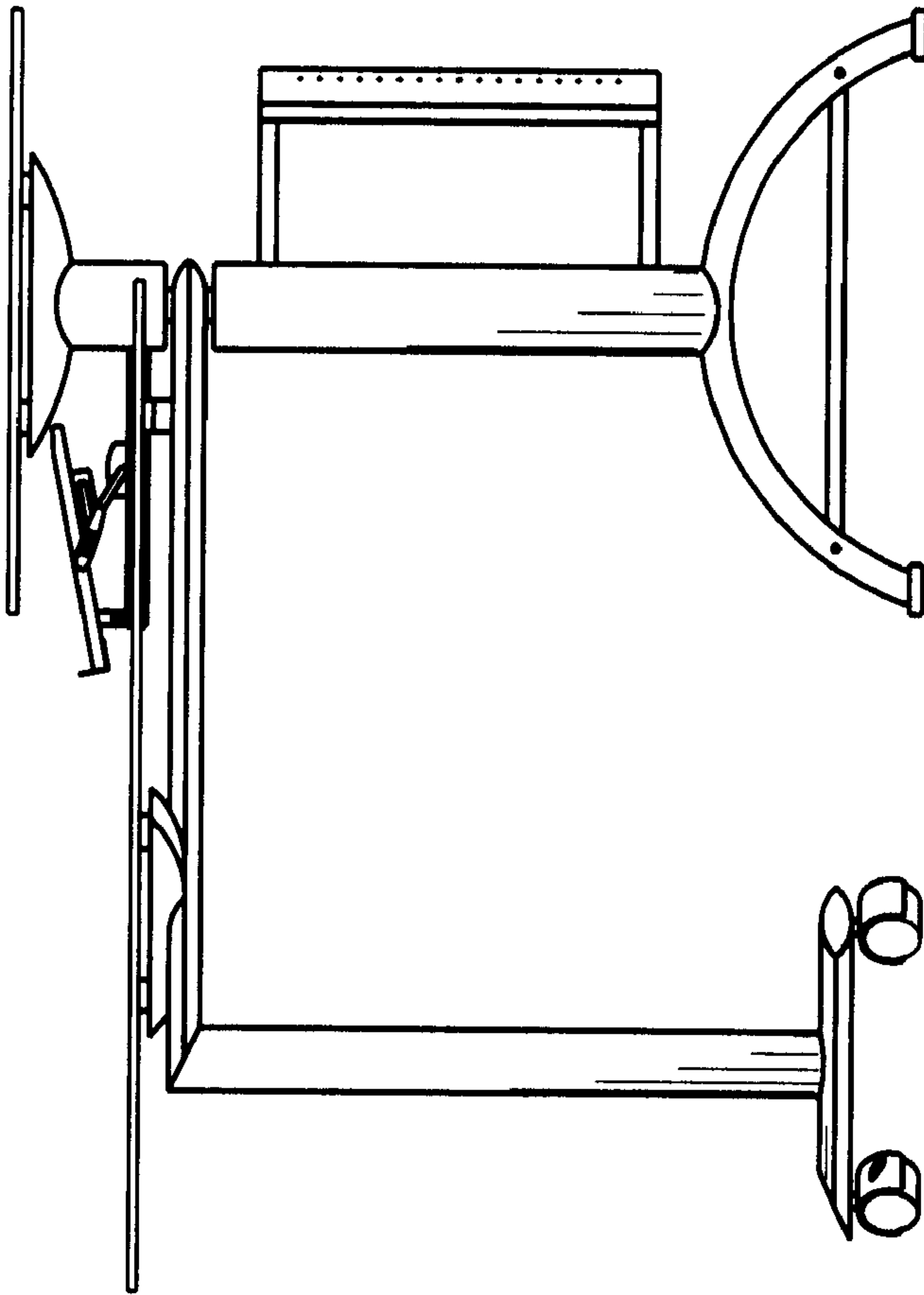


FIG. 5

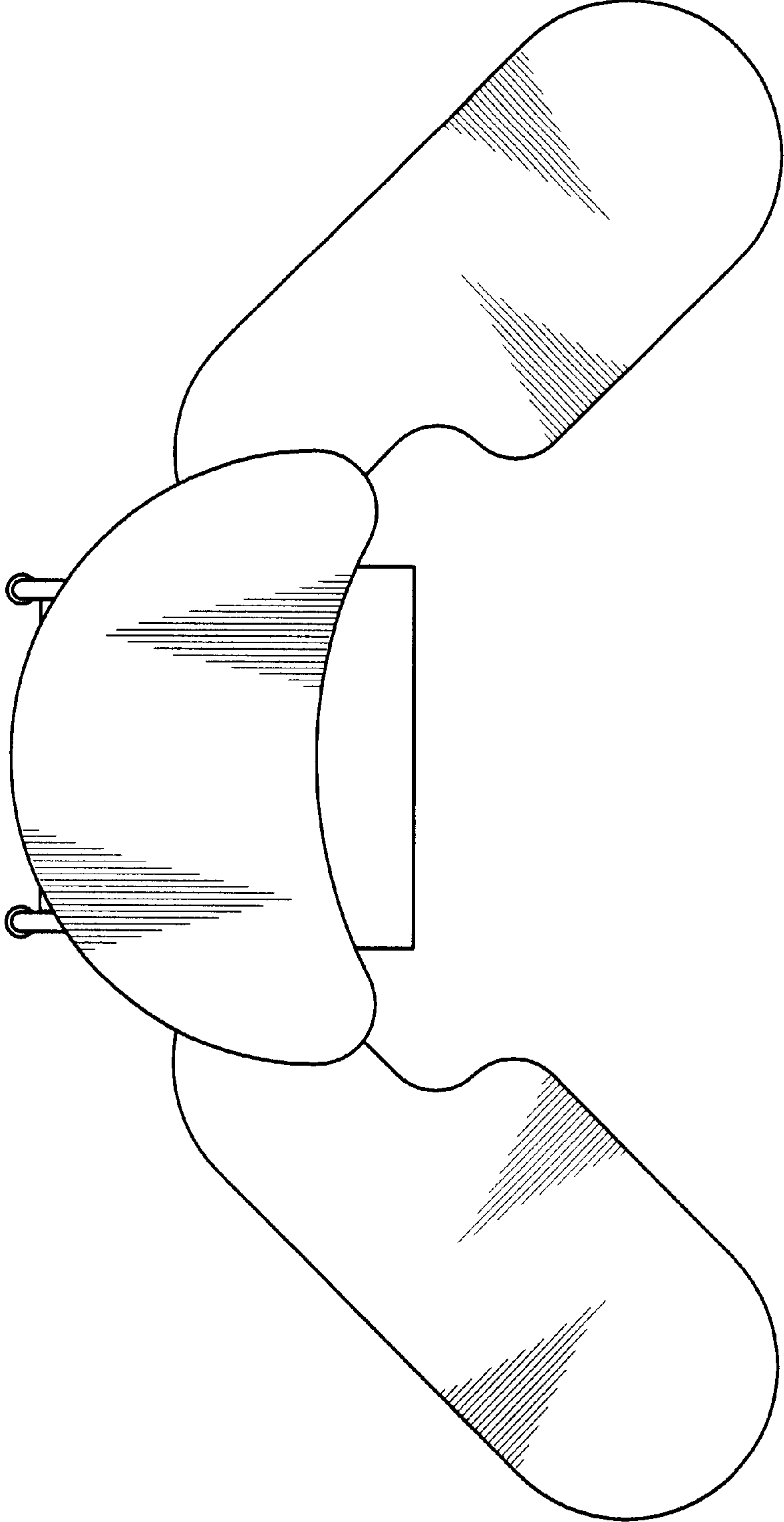


FIG. 6

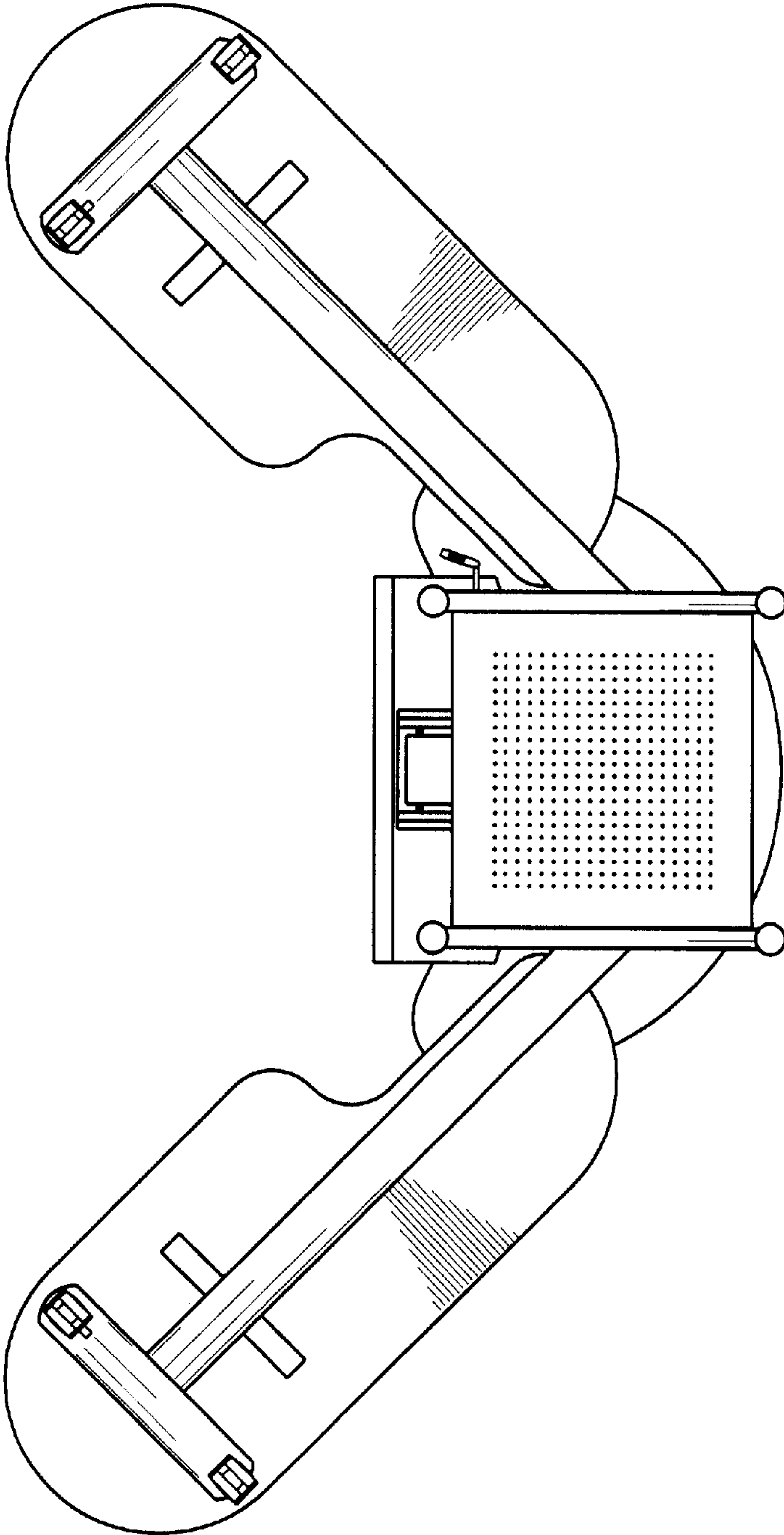


FIG. 7