



US00D512850S

(12) **United States Design Patent** (10) **Patent No.:** **US D512,850 S**
Newhouse et al. (45) **Date of Patent:** **** Dec. 20, 2005**

(54) **WORK STATION**

(75) Inventors: **Thomas J. Newhouse**, Grand Rapids, MI (US); **Douglas J. Hill**, Grand Rapids, MI (US); **S. Michael Crump**, Grandville, MI (US)

(73) Assignee: **Hekman Furniture Company**, Grand Rapids, MI (US)

(**) Term: **14 Years**

(21) Appl. No.: **29/206,680**

(22) Filed: **Jun. 2, 2004**

(51) **LOC (6) Cl.** **06-04**

(52) **U.S. Cl.** **D6/422**

(58) **Field of Search** D6/422-428; 108/50.01, 108/50.02; 312/194-196, 208.1, 208.2

5,536,068 A 7/1996 Valentor et al.
5,549,053 A 8/1996 Grout
5,562,052 A 10/1996 Glashouwer et al.
5,598,788 A 2/1997 Jonker
5,678,892 A 10/1997 Heitlinger
D401,224 S 11/1998 Mollenkopf et al.
6,027,086 A 2/2000 Heitlinger et al.
6,119,605 A 9/2000 Agee
6,196,648 B1 3/2001 Henriott
6,202,567 B1 3/2001 Funk et al.
6,209,840 B1 4/2001 Chen
6,312,069 B1 11/2001 Weng
6,327,985 B1 12/2001 Frenkler et al.
6,354,231 B1 3/2002 Morris
6,374,754 B1 4/2002 Chang
6,422,668 B1 7/2002 Kelley et al.
6,510,803 B1 1/2003 Agee
6,520,461 B1 2/2003 Graham
6,546,880 B2 4/2003 Agee
6,662,732 B2 12/2003 Birsal et al.
2002/0084390 A1 7/2002 Parisi et al.
2002/0092448 A1 7/2002 Park
2003/0102700 A1 6/2003 Lin

(56) **References Cited**

U.S. PATENT DOCUMENTS

1,075,964 A 10/1913 Colling
1,540,616 A 6/1925 Hagopian
1,715,134 A 5/1929 Koenig
1,838,352 A 12/1931 Anderson
2,378,852 A 6/1945 James
2,931,685 A 4/1960 Butler
D191,453 S * 10/1961 Abrahamson D6/422
D196,733 S * 10/1963 Huller D6/422
D197,612 S * 3/1964 Rice et al. D6/422
3,183,861 A 5/1965 Halstrick
3,471,947 A * 10/1969 Genser 312/196
3,667,713 A 6/1972 Clarke
3,744,872 A 7/1973 Akin, Jr. et al.
3,875,712 A 4/1975 Thompson
4,191,111 A 3/1980 Emmert
D282,031 S * 1/1986 Sottsass et al. D6/428
4,715,075 A 12/1987 Shamie
5,107,775 A 4/1992 Langlais et al.
5,495,811 A 3/1996 Carson et al.
5,522,642 A 6/1996 Herzog

* cited by examiner

Primary Examiner—Janice E. Seeger
(74) *Attorney, Agent, or Firm*—Warner Norcross & Judd LLP

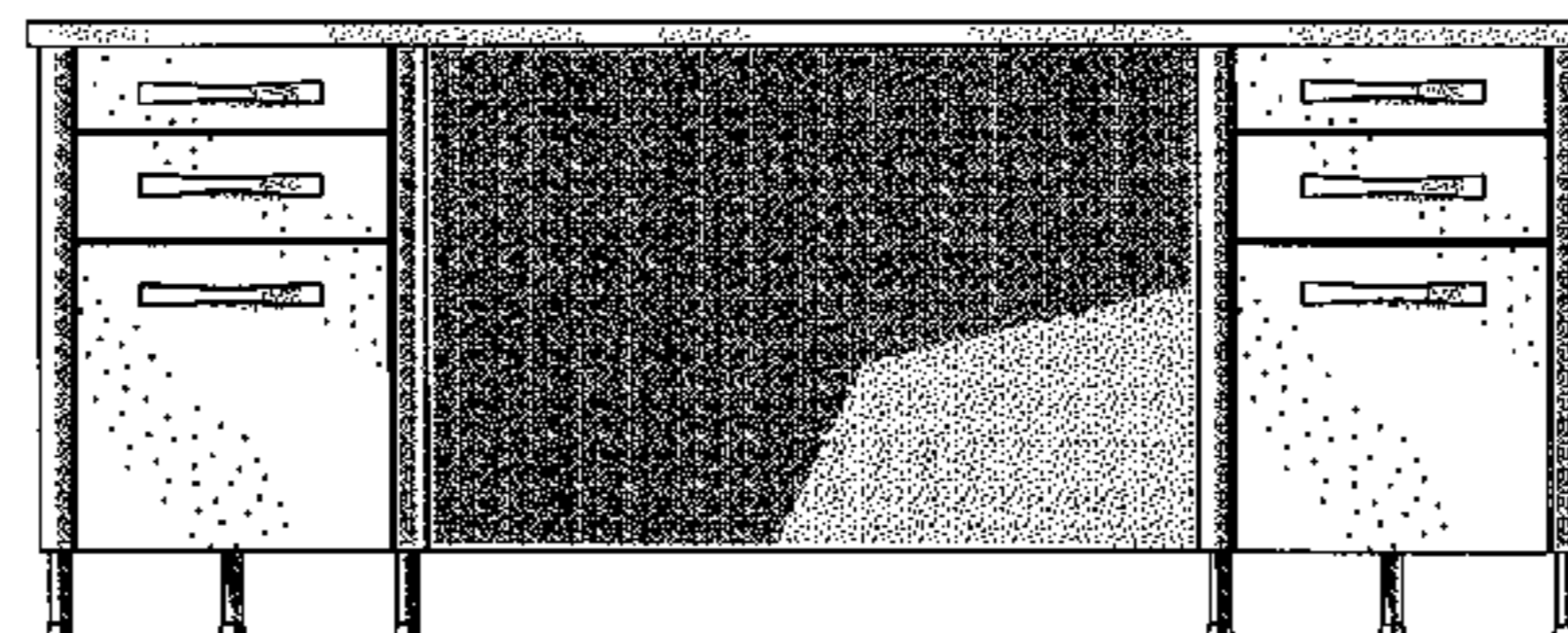
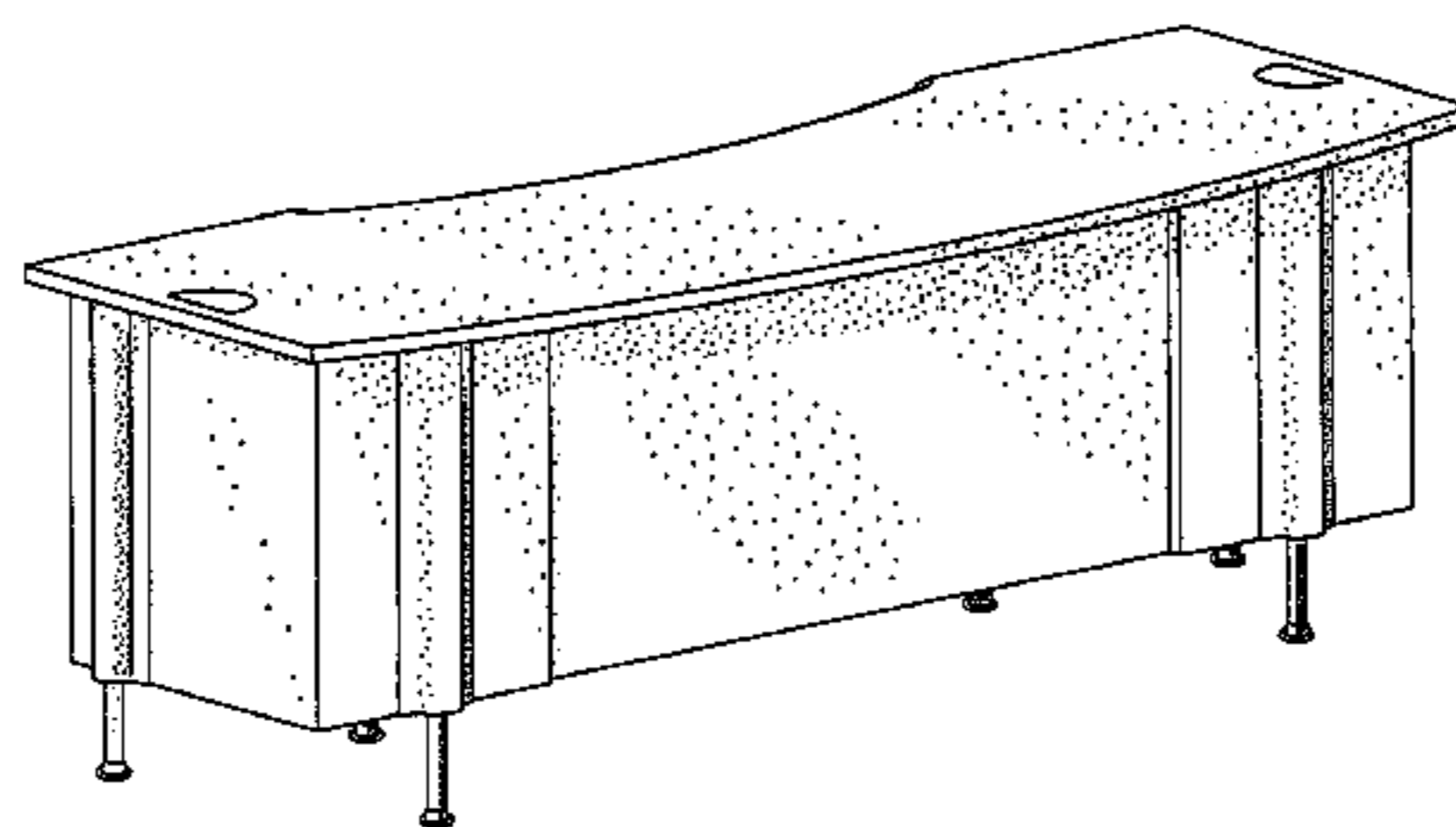
(57) **CLAIM**

The ornamental design for work station, as shown and described.

DESCRIPTION

FIG. 1 is a perspective view showing the work station of my new design;
FIG. 2 is a top plan view thereof;
FIG. 3 is a bottom plan view thereof;
FIG. 4 is a left side elevation view thereof;
FIG. 5 is a front elevation view thereof; and,
FIG. 6 is a back elevation view thereof.

1 Claim, 4 Drawing Sheets



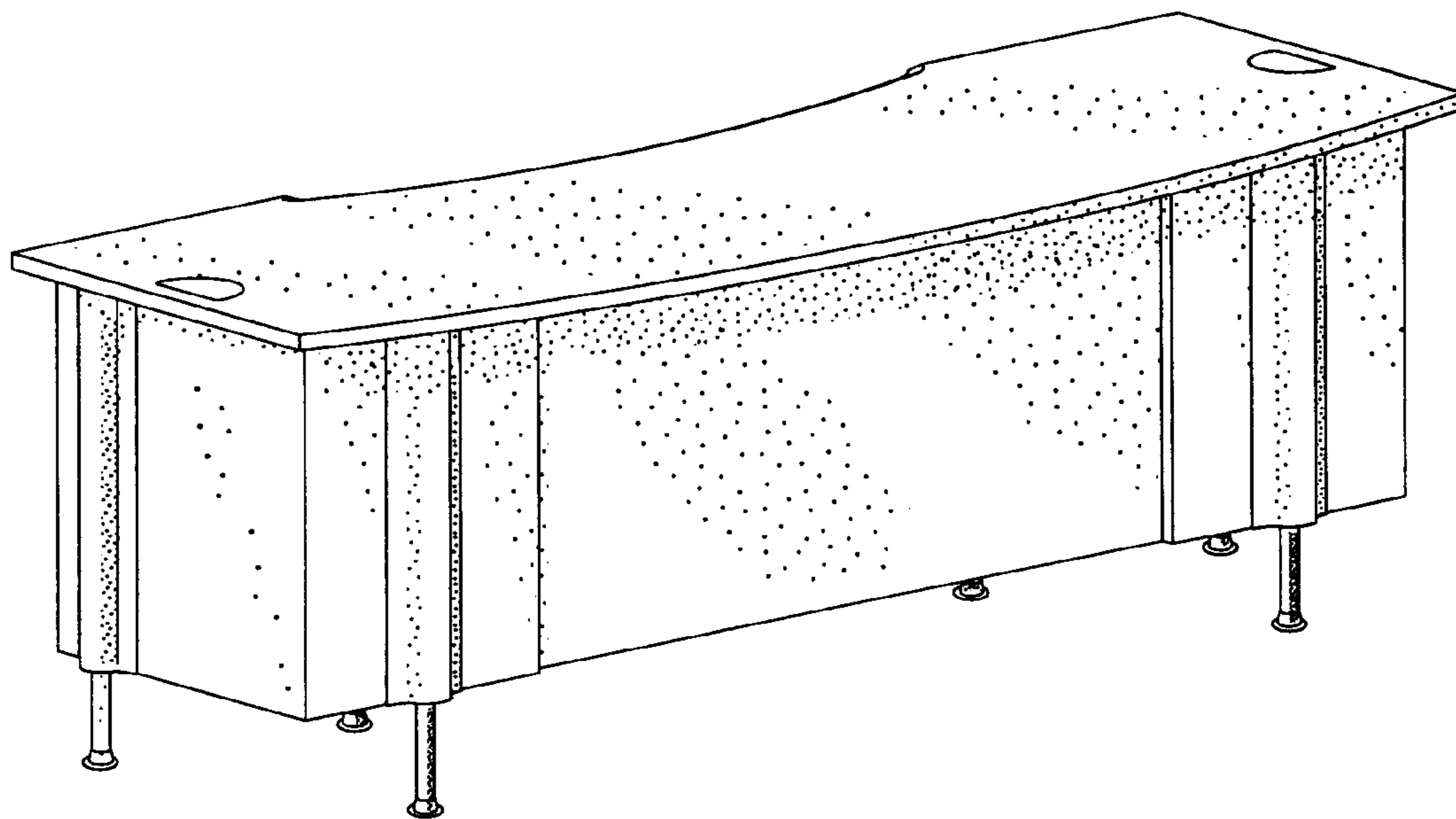


Fig. 1

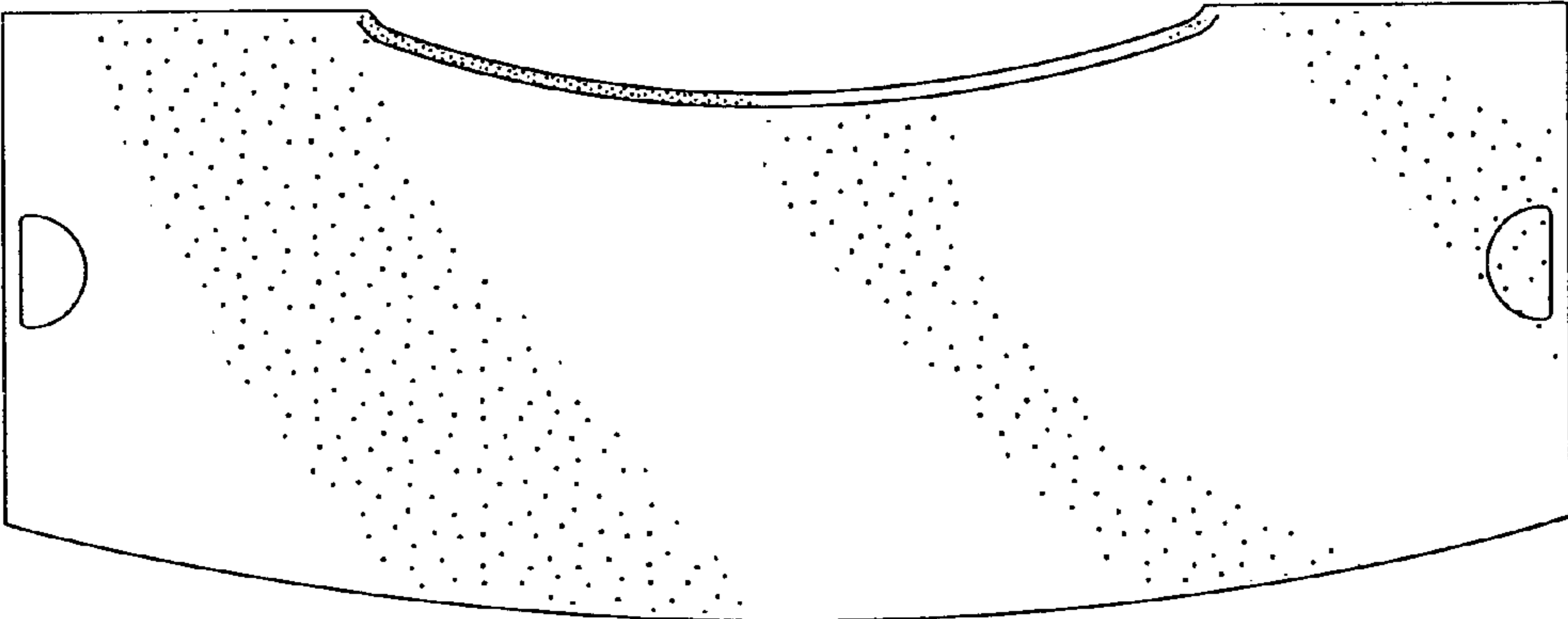


Fig. 2

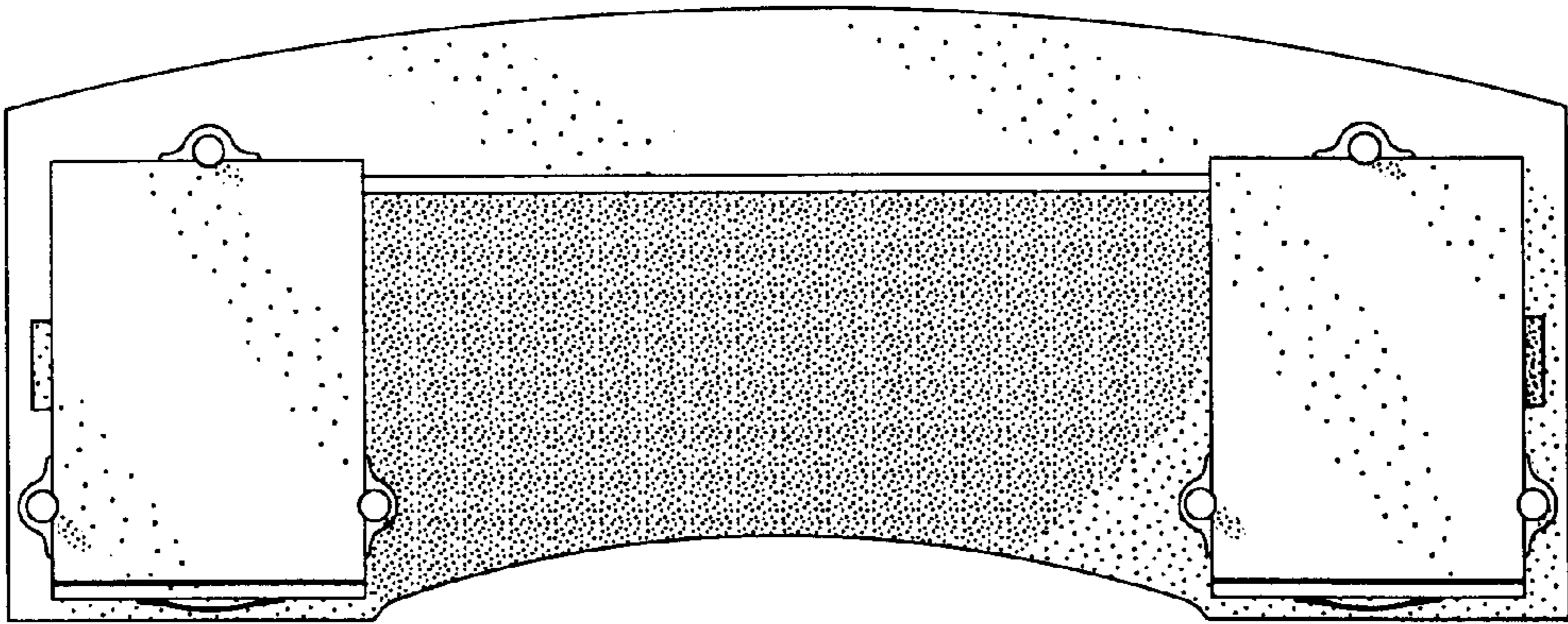


Fig. 3

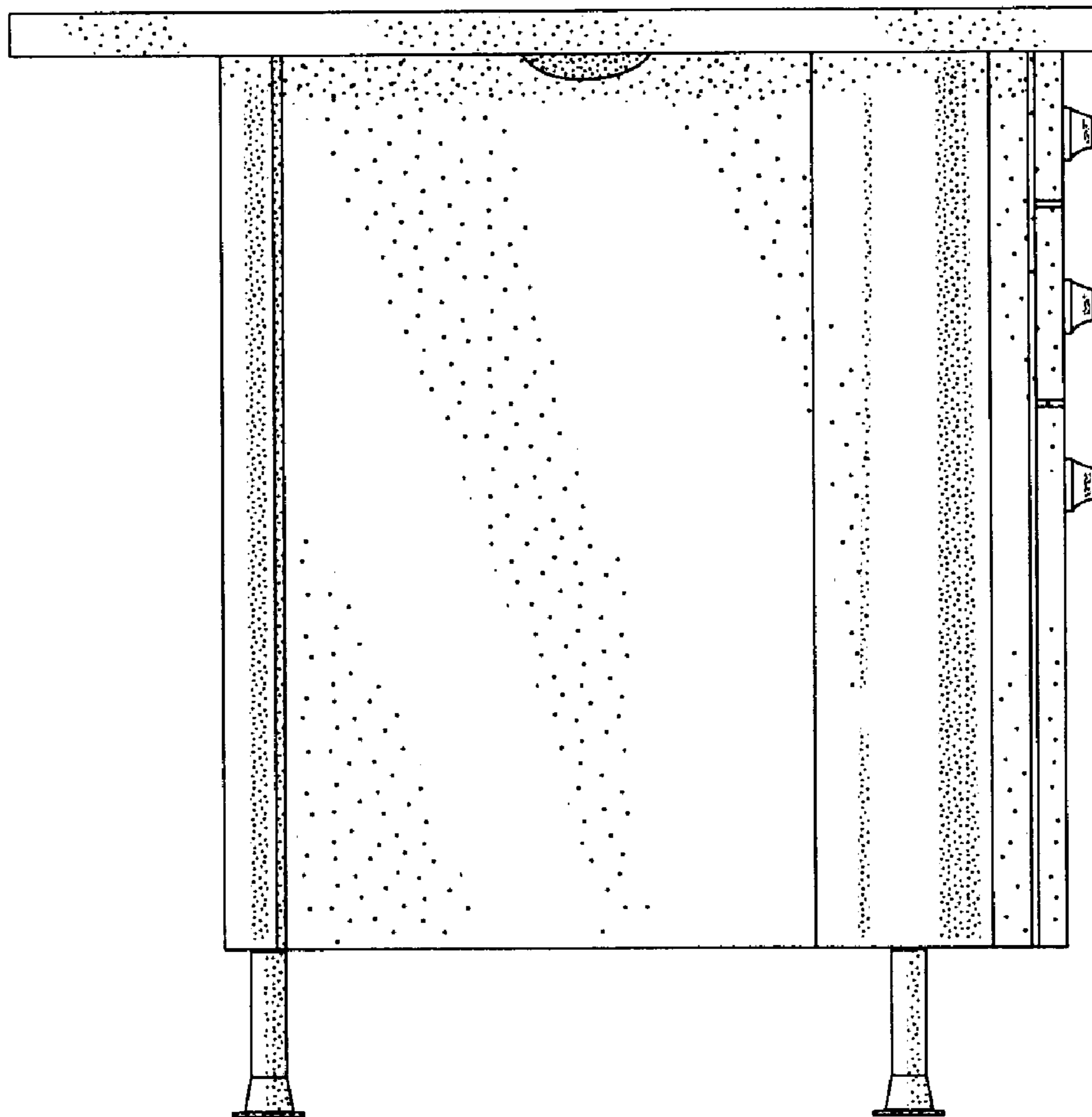


Fig. 4

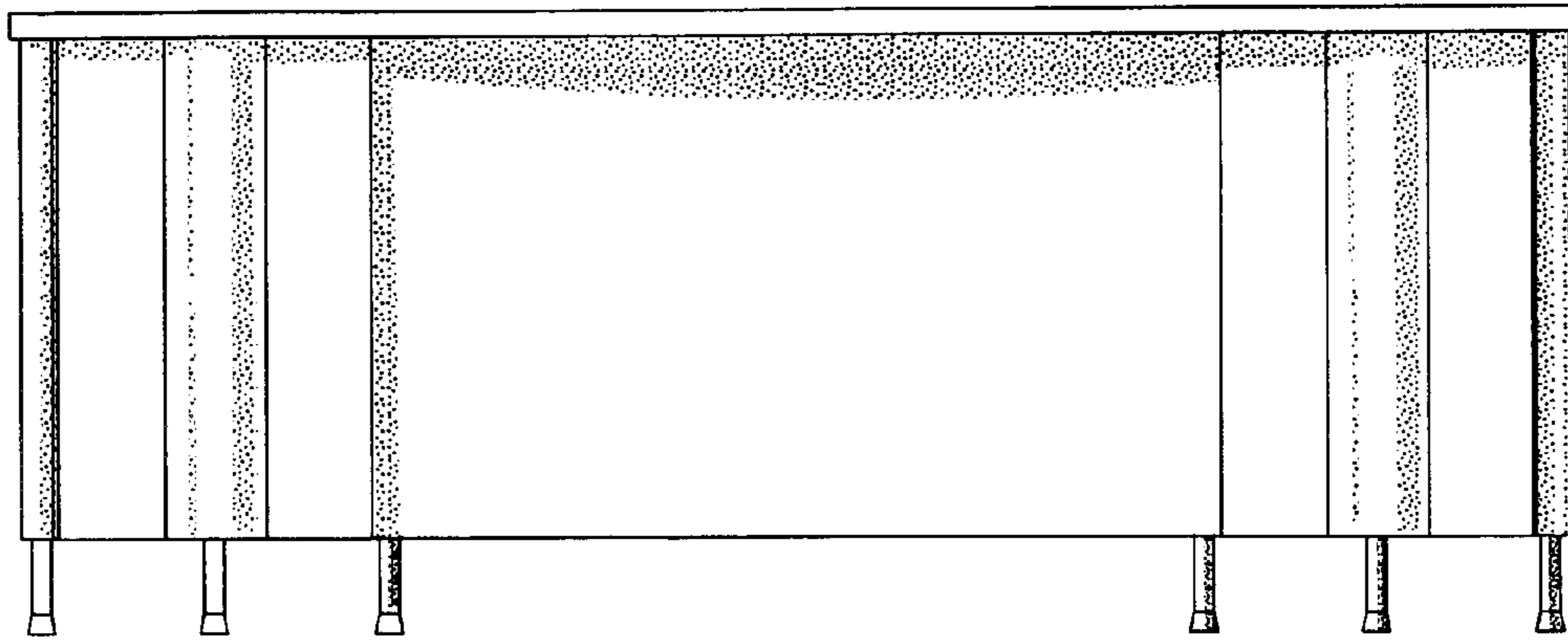


Fig. 5

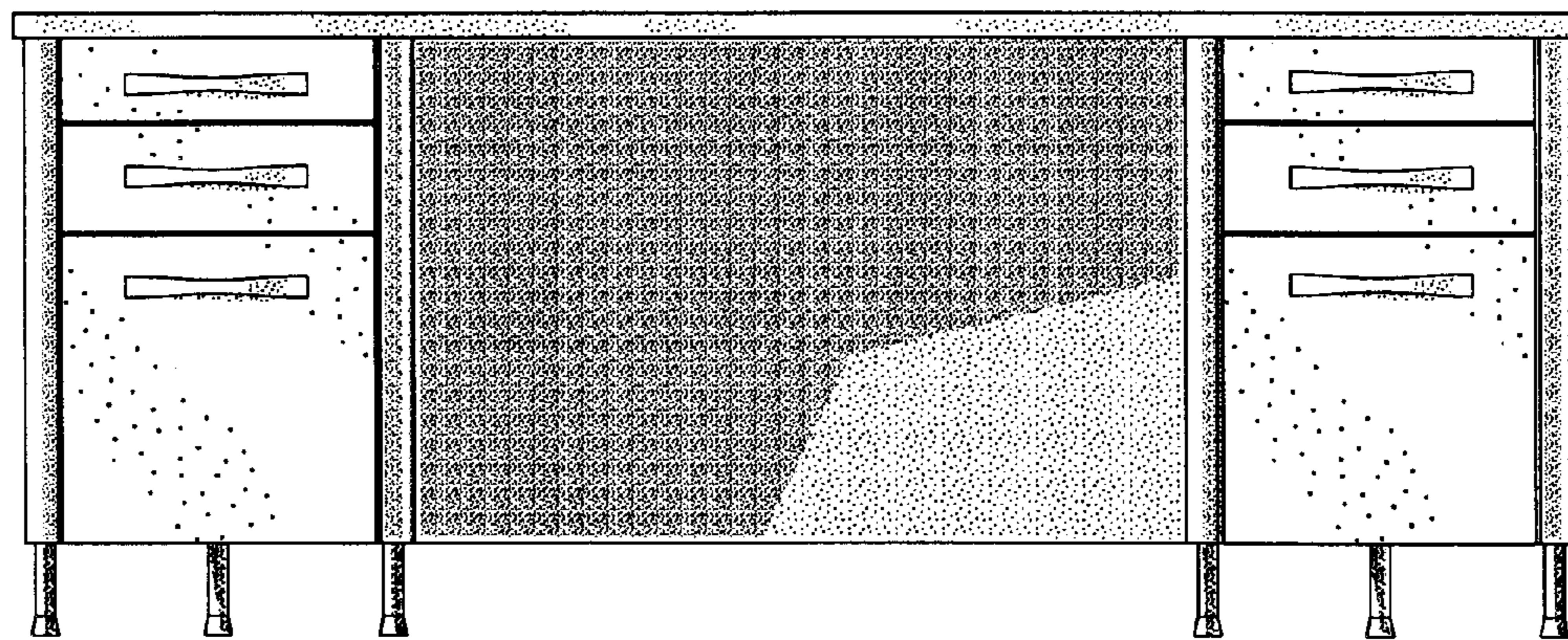


Fig. 6