



US00D512849S

(12) **United States Design Patent**
Mirchand

(10) **Patent No.:** **US D512,849 S**

(45) **Date of Patent:** **** Dec. 20, 2005**

(54) **BED**

(75) **Inventor:** **Georgina Rice Mirchand**, San Francisco, CA (US)

(73) **Assignee:** **Brownstone Inc.**, Richmond, CA (US)

(**) **Term:** **14 Years**

(21) **Appl. No.:** **29/210,180**

(22) **Filed:** **Jul. 28, 2004**

(51) **LOC (6) Cl.** **06-01**

(52) **U.S. Cl.** **D6/393**

(58) **Field of Search** D6/382, 385, 388-395,
D6/505-508; 5/53.1, 907, 279.1, 280, 281,
2.1, 308

(56) **References Cited**

U.S. PATENT DOCUMENTS

930,540 A * 8/1909 Evans 5/166.1

D466,716 S 12/2002 Tobin, Jr.
D487,362 S * 3/2004 de Blois D6/393
D492,502 S * 7/2004 Domack D6/393
D499,272 S * 12/2004 Cappaert D6/393
D503,295 S * 3/2005 O'Hare D6/393

* cited by examiner

Primary Examiner—Janice E. Seeger

(74) *Attorney, Agent, or Firm*—Schwartz Law Firm P.C.

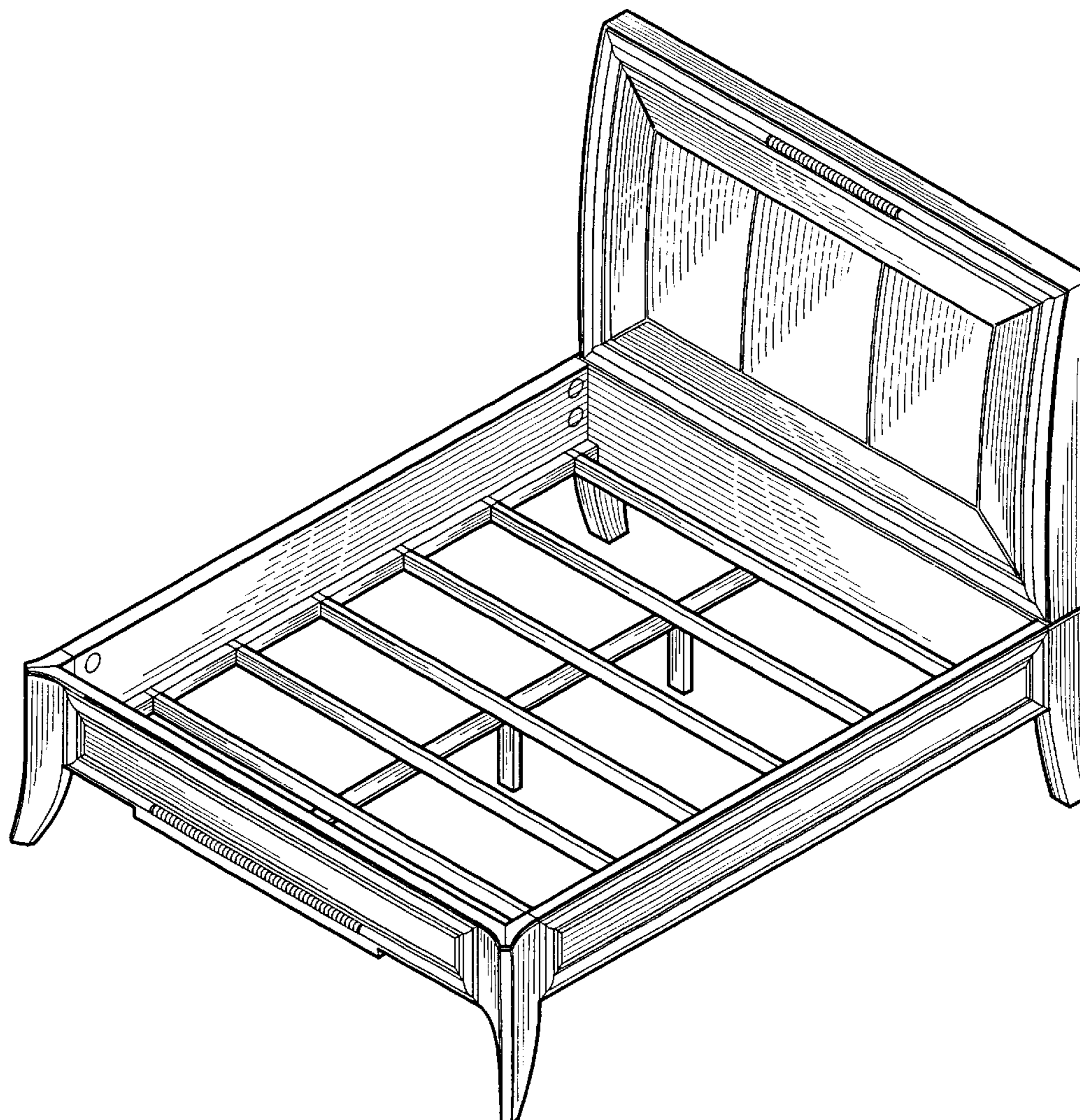
(57) **CLAIM**

I claim the ornamental design for a bed, as shown and described.

DESCRIPTION

FIG. 1 is a perspective view of the bed;
FIG. 2 is a front view thereof;
FIG. 3 is a right side view thereof, the left side being a mirror image thereof; and,
FIG. 4 is a top view thereof.

1 Claim, 4 Drawing Sheets



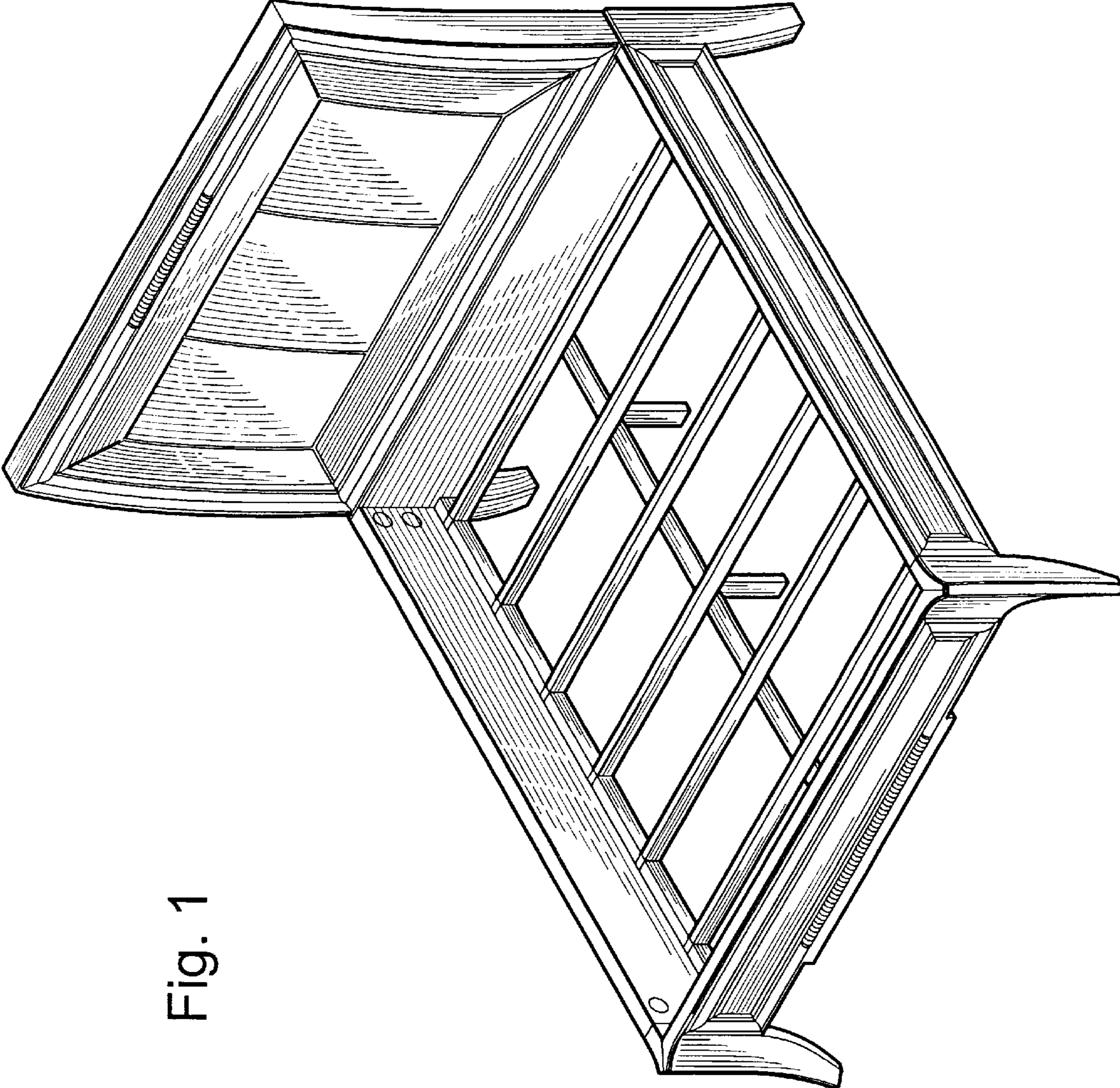


Fig. 1

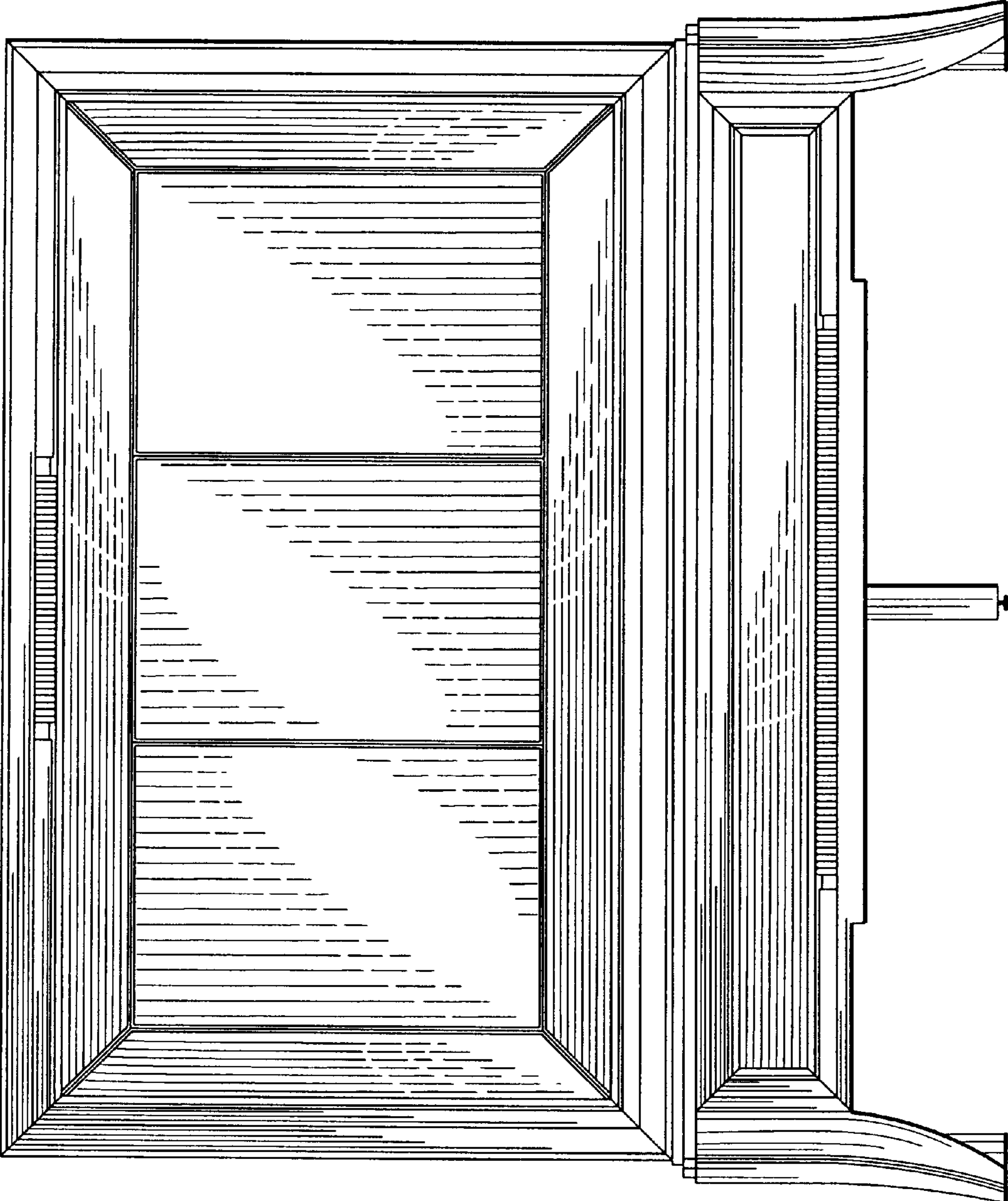


Fig. 2

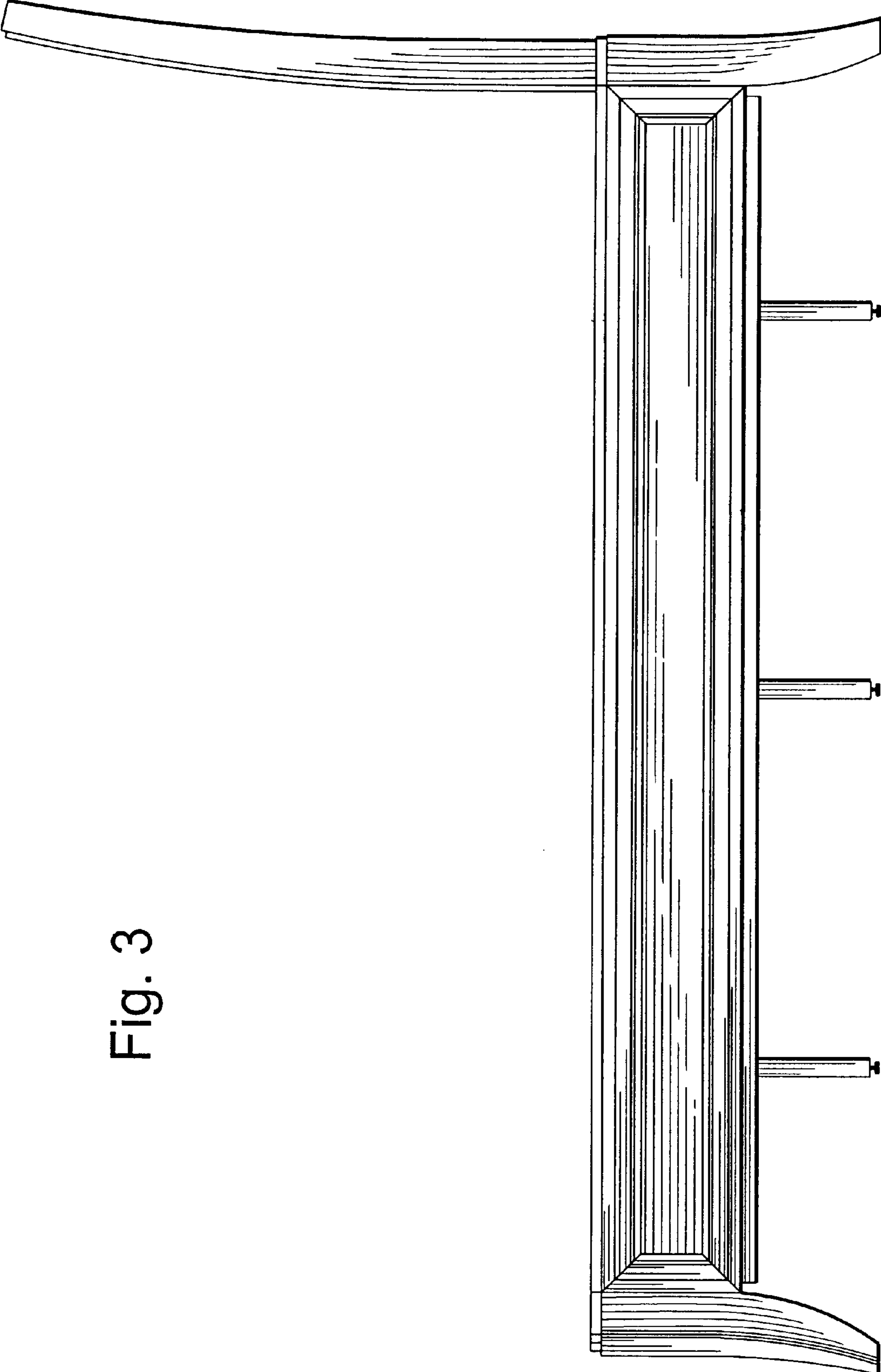


Fig. 3

Fig. 4

