



US00D512847S

(12) **United States Design Patent** (10) **Patent No.:** **US D512,847 S**
Ricci (45) **Date of Patent:** **** Dec. 20, 2005**

(54) **SOFA**
(75) **Inventor:** **Luca Ricci, Forli (IT)**
(73) **Assignee:** **De Coro Ltd., Fanling (HK)**
(**) **Term:** **14 Years**
(21) **Appl. No.:** **29/204,774**
(22) **Filed:** **May 3, 2004**
(51) **LOC (6) Cl. 06-01**
(52) **U.S. Cl. D6/381**
(58) **Field of Search** D6/334, 335, 364,
D6/371, 381, 500-502; 5/12.1; 297/232,
445.1, 446.1

D495,517 S * 9/2004 Ricci D6/381
D499,269 S * 12/2004 Ricci D6/381
D502,018 S * 2/2005 Ricci D6/381

OTHER PUBLICATIONS

De Coro Ltd. Sofa Model No. 125, Apr. 1998, at the International Home Furnishings Market in High Point, N.C.
De Coro Ltd. Sofa Model No. 130, Apr. 1998, at the International Home Furnishings Market in High Point, N.C.
De Coro Ltd. Sofa Model No. 147, Apr. 1998, at the International Home Furnishings Market in High Point, N.C.
De Coro Ltd. Sofa Model No. 160, Apr. 1998, at the International Home Furnishings Market in High Point, N.C.
De Coro Ltd. Sofa Model No. 167, Apr. 1998, at the International Home Furnishings Market in High Point, N.C.
De Coro Ltd. Sofa Model No. 174, Apr. 1998, at the International Home Furnishings Market in High Point, N.C.
De Coro Ltd. Sofa Model No. 207, Apr. 1999, at the International Home Furnishings Market in High Point, N.C.
De Coro Ltd. Sofa Model No. 212, Apr. 1999, at the International Home Furnishings Market in High Point, N.C.
De Coro Ltd. Sofa Model No. 213, Apr. 1999, at the International Home Furnishings Market in High Point, N.C.

(56) **References Cited**

U.S. PATENT DOCUMENTS

D364,975 S 12/1995 Natuzzi et al.
D373,911 S * 9/1996 Paus D6/381
D393,758 S 4/1998 Natuzzi et al.
D400,368 S 11/1998 Natuzzi et al.
D407,572 S 4/1999 Natuzzi et al.
D407,573 S 4/1999 Natuzzi et al.
D421,193 S 2/2000 Natuzzi et al.
D429,080 S 8/2000 Natuzzi et al.
D431,124 S 9/2000 Natuzzi et al.
D431,928 S 10/2000 Natuzzi et al.
D432,336 S * 10/2000 Gibson D6/500
D434,245 S 11/2000 Natuzzi et al.
D439,759 S 4/2001 Natuzzi et al.
D445,587 S 7/2001 Natuzzi et al.
D448,945 S 10/2001 Natuzzi et al.
D470,323 S 2/2003 Ricci
D470,325 S * 2/2003 Ricci D6/381
D470,328 S 2/2003 Ricci
D473,394 S 4/2003 Natuzzi et al.
D474,907 S 5/2003 Ricci
D475,861 S 6/2003 Ricci
D476,164 S 6/2003 Ricci
D476,166 S 6/2003 Ricci
D476,497 S 7/2003 Ricci
D476,500 S 7/2003 Ricci
D478,224 S 8/2003 Natuzzi et al.
D495,513 S * 9/2004 Nastri D6/381

(Continued)

Primary Examiner—Caron D. Veynar
Assistant Examiner—Vy Nguyen
(74) *Attorney, Agent, or Firm*—Mitchell P. Brook; Luce, Forward, Hamilton & Scripps LLP

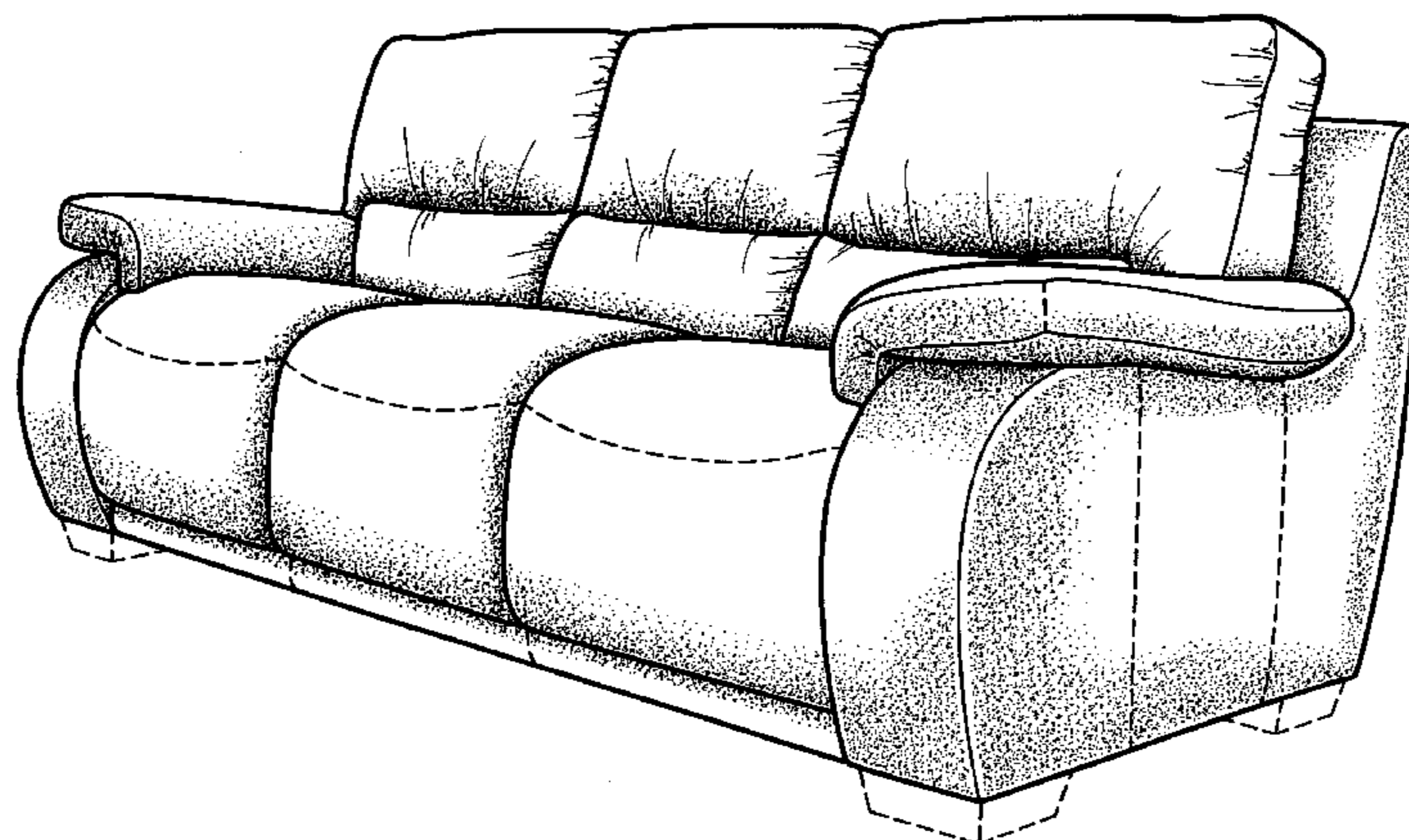
(57) **CLAIM**

The ornamental design for a sofa, as shown and described.

DESCRIPTION

FIG. 1 is a perspective view of my new sofa design;
FIG. 2 is a front elevation view thereof;
FIG. 3 is a left, side elevation view, with the right side elevational view being a mirror image thereof; and,
FIG. 4 is a rear elevation view thereof.
The broken line disclosure is for illustrative purposes only and forms no part of the claimed design.

1 Claim, 3 Drawing Sheets



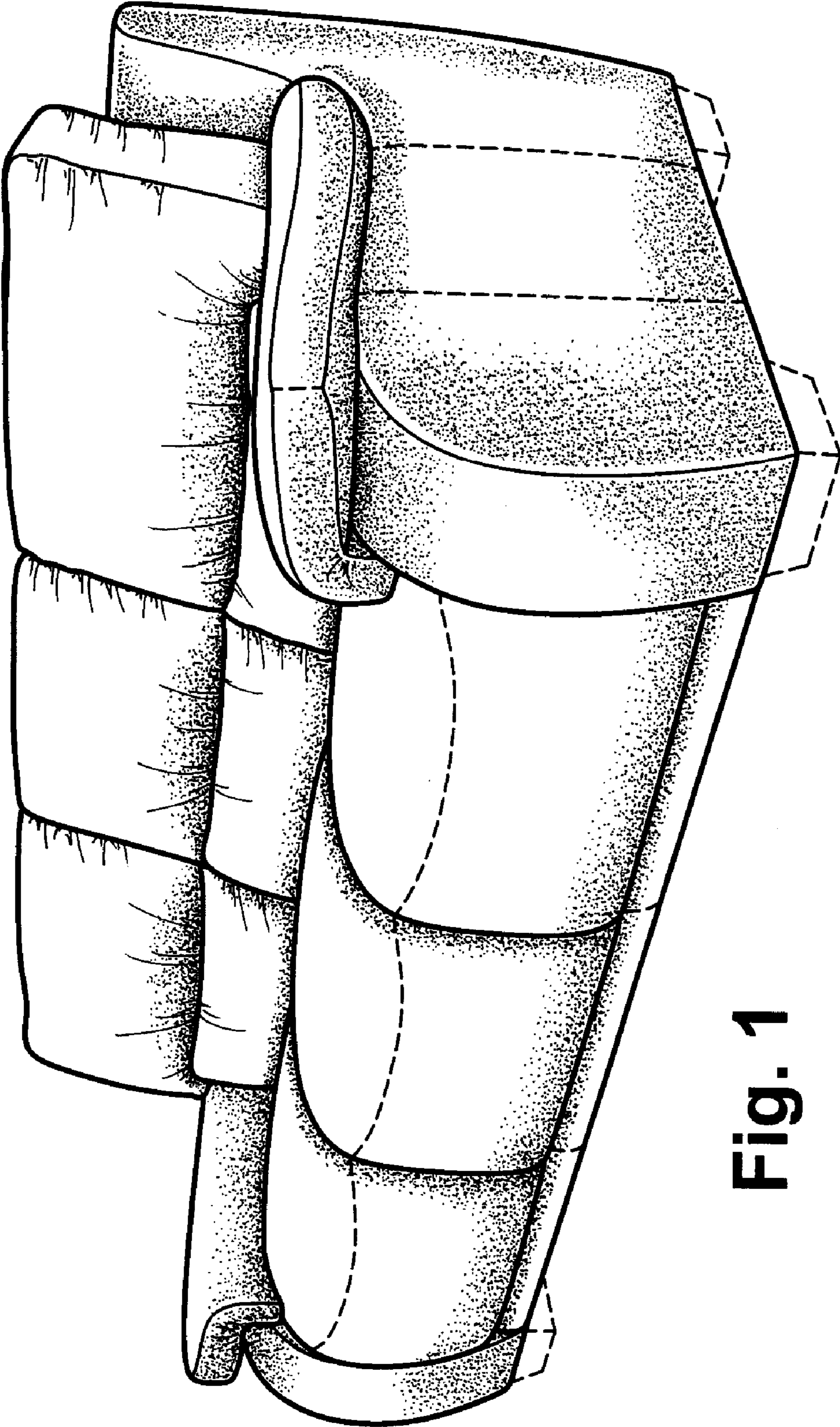


Fig. 1

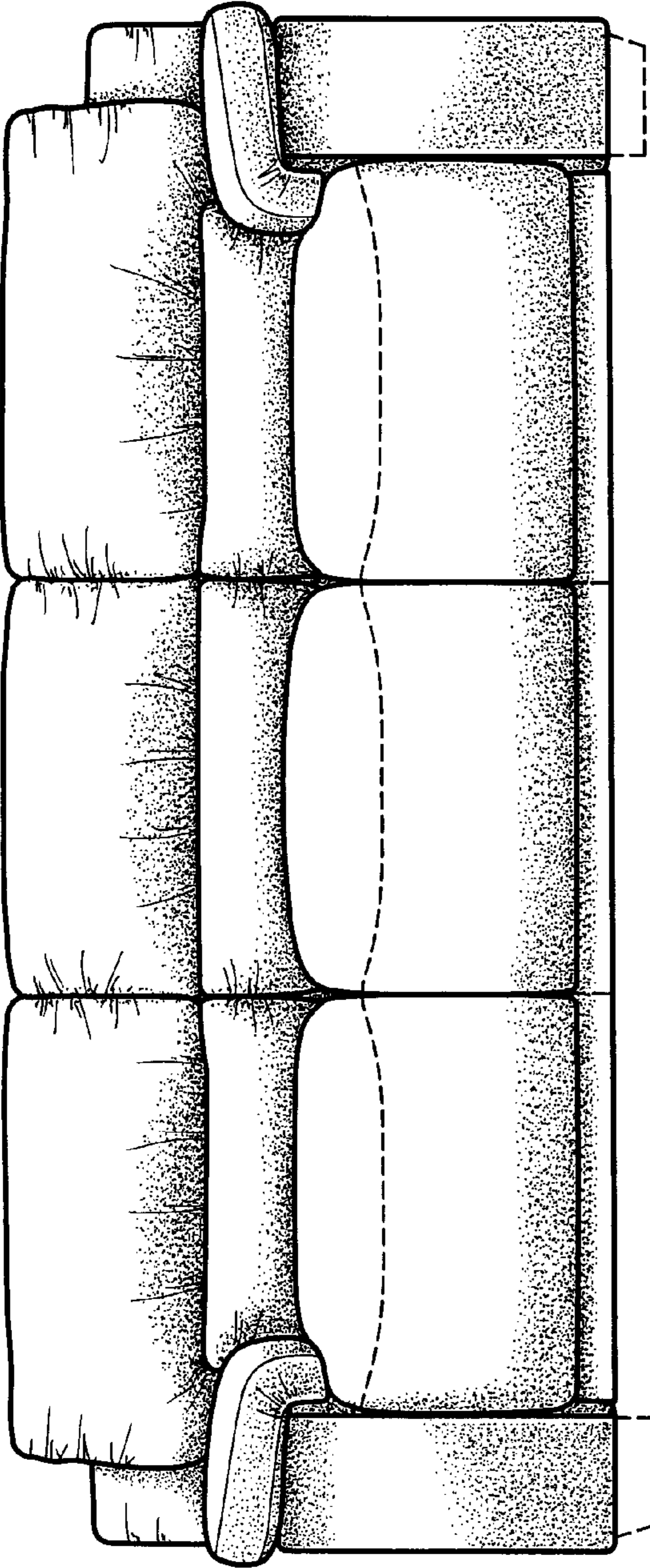


Fig. 2

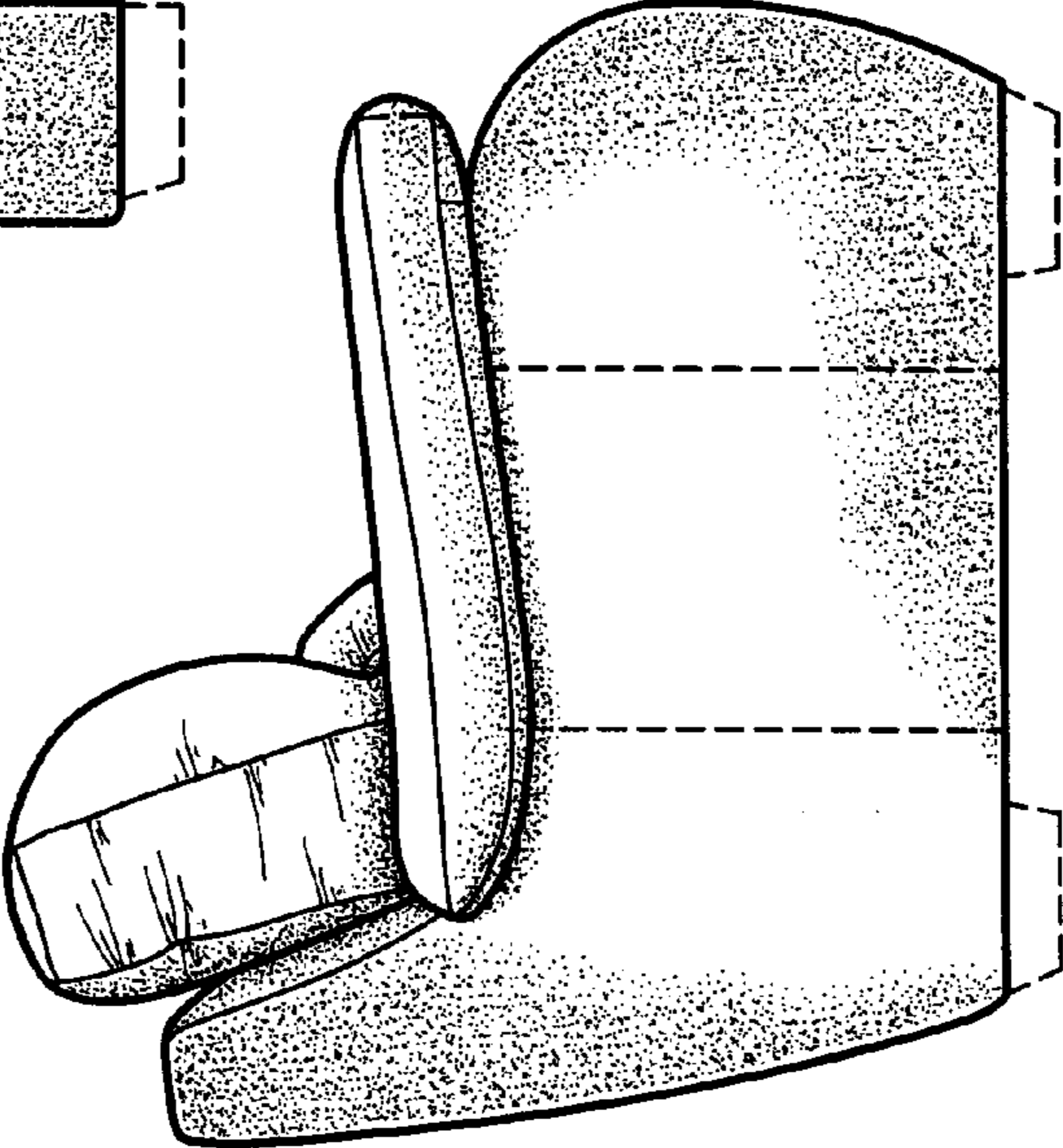


Fig. 3

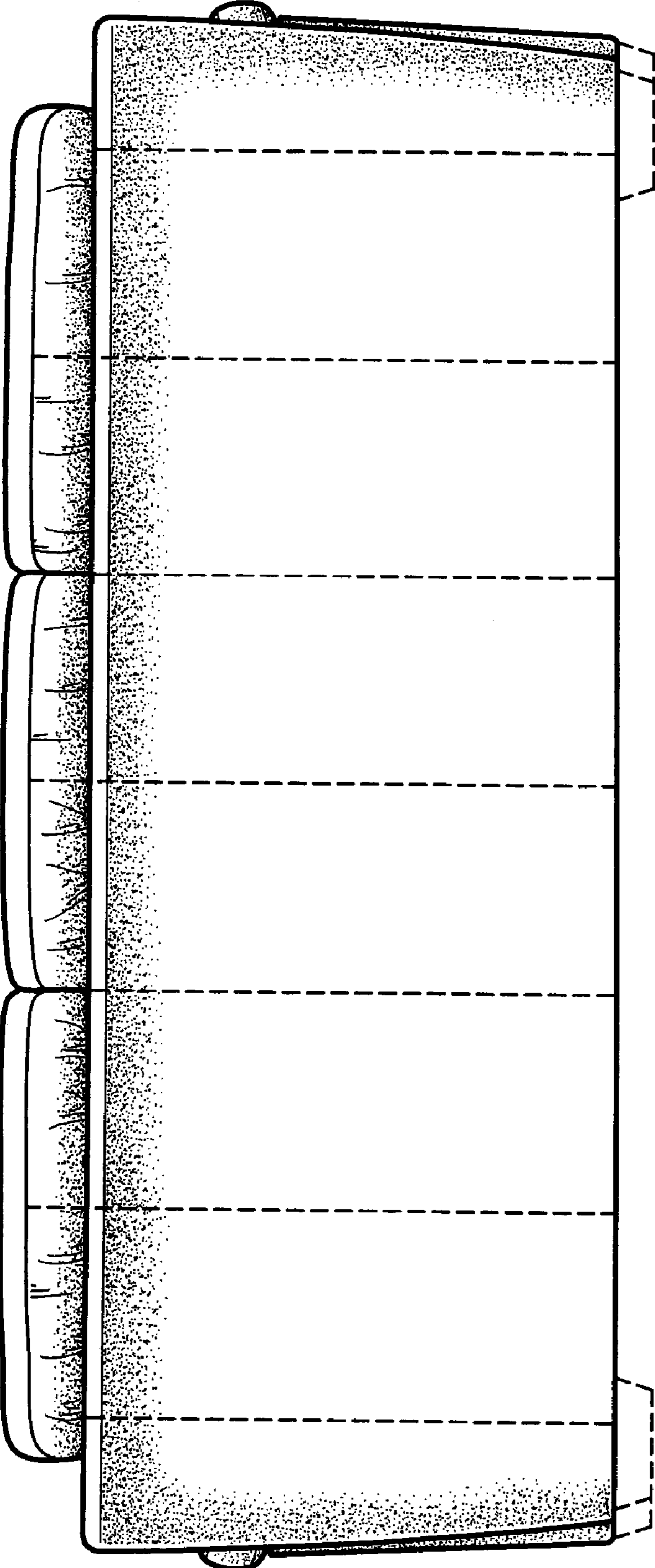


Fig. 4