



US00D512846S

(12) **United States Design Patent** (10) **Patent No.:** **US D512,846 S**  
**Goodworth** (45) **Date of Patent:** **\*\* Dec. 20, 2005**

(54) **MOBILE GUEST CHAIR WITH ARMS**  
 (75) Inventor: **William H. Goodworth**, Davenport, IA (US)  
 (73) Assignee: **HNI Technologies Inc.**, Muscatine, IA (US)  
 (\*\*) Term: **14 Years**

D456,160 S \* 4/2002 Van De Riet et al. .... D6/366  
 D456,627 S \* 5/2002 Pearce et al. .... D6/366  
 D460,870 S \* 7/2002 Van De Riet et al. .... D6/366  
 D463,920 S \* 10/2002 Pearce et al. .... D6/366  
 D464,495 S \* 10/2002 Chu ..... D6/374  
 D475,544 S \* 6/2003 Chadwick et al. .... D6/380  
 D476,495 S \* 7/2003 Tsai ..... D6/380  
 D483,193 S \* 12/2003 Goodworth ..... D6/366  
 D495,891 S \* 9/2004 Ambasz ..... D6/374  
 D500,211 S \* 12/2004 Koch et al. .... D6/366  
 D502,016 S \* 2/2005 Goodworth ..... D6/366  
 2002/0005658 A1 1/2002 Piretti

(21) Appl. No.: **29/182,060**  
 (22) Filed: **May 19, 2003**

**FOREIGN PATENT DOCUMENTS**

(51) **LOC (6) Cl.** ..... **06-01**  
 (52) **U.S. Cl.** ..... **D6/374**  
 (58) **Field of Search** ..... D6/334–336, 366,  
 D6/371–374, 379, 380, 500–502; 297/411.2,  
 423.1, 445.1, 446.1, 447.1, 448.2, 461

BE	524012	11/1953
CA	1184108	3/1985
DE	626080	8/1936

\* cited by examiner

*Primary Examiner*—Joel A. Sincavage  
*Assistant Examiner*—Vy Nguyen  
 (74) *Attorney, Agent, or Firm*—Ronald A. Sandler; Jones Day

(56) **References Cited**  
**U.S. PATENT DOCUMENTS**

1,950,226 A	3/1934	Cable	297/287
2,602,489 A	7/1952	Holten	297/301.4
3,475,054 A	10/1969	Flint	297/301.3
D279,246 S	6/1985	Murry	D6/501
D303,597 S	9/1989	Kaminski	D6/502
D303,598 S	9/1989	Tornero	D6/502
D346,502 S	* 5/1994	Ochsner	D6/379
D366,089 S	1/1996	Ackerson, Jr.	D22/118
5,697,673 A	12/1997	Favaretto	297/301.1
D401,453 S	11/1998	Holt	D6/502
D408,161 S	4/1999	Caruso	D6/366
D435,746 S	1/2001	Diffrient	D6/501
D438,392 S	3/2001	Lucci et al.	D6/366
D439,452 S	3/2001	Turner et al.	D6/502
D440,797 S	4/2001	Norman	D6/501
D447,351 S	9/2001	Sato	D6/366
D449,172 S	* 10/2001	Van De Riet et al.	D6/366
D453,633 S	2/2002	Diffrient	D6/366

(57) **CLAIM**

The ornamental design for a mobile guest chair with arms, as shown and described.

**DESCRIPTION**

FIG. 1 is a front perspective view of the mobile guest chair with arms showing the new design.  
 FIG. 2 is a front elevation view thereof;  
 FIG. 3 is a rear elevation view thereof;  
 FIG. 4 is a right elevation view thereof;  
 FIG. 5 is a left elevation view thereof;  
 FIG. 6 is a top plan view thereof; and,  
 FIG. 7 is a bottom plan view thereof.

**1 Claim, 4 Drawing Sheets**

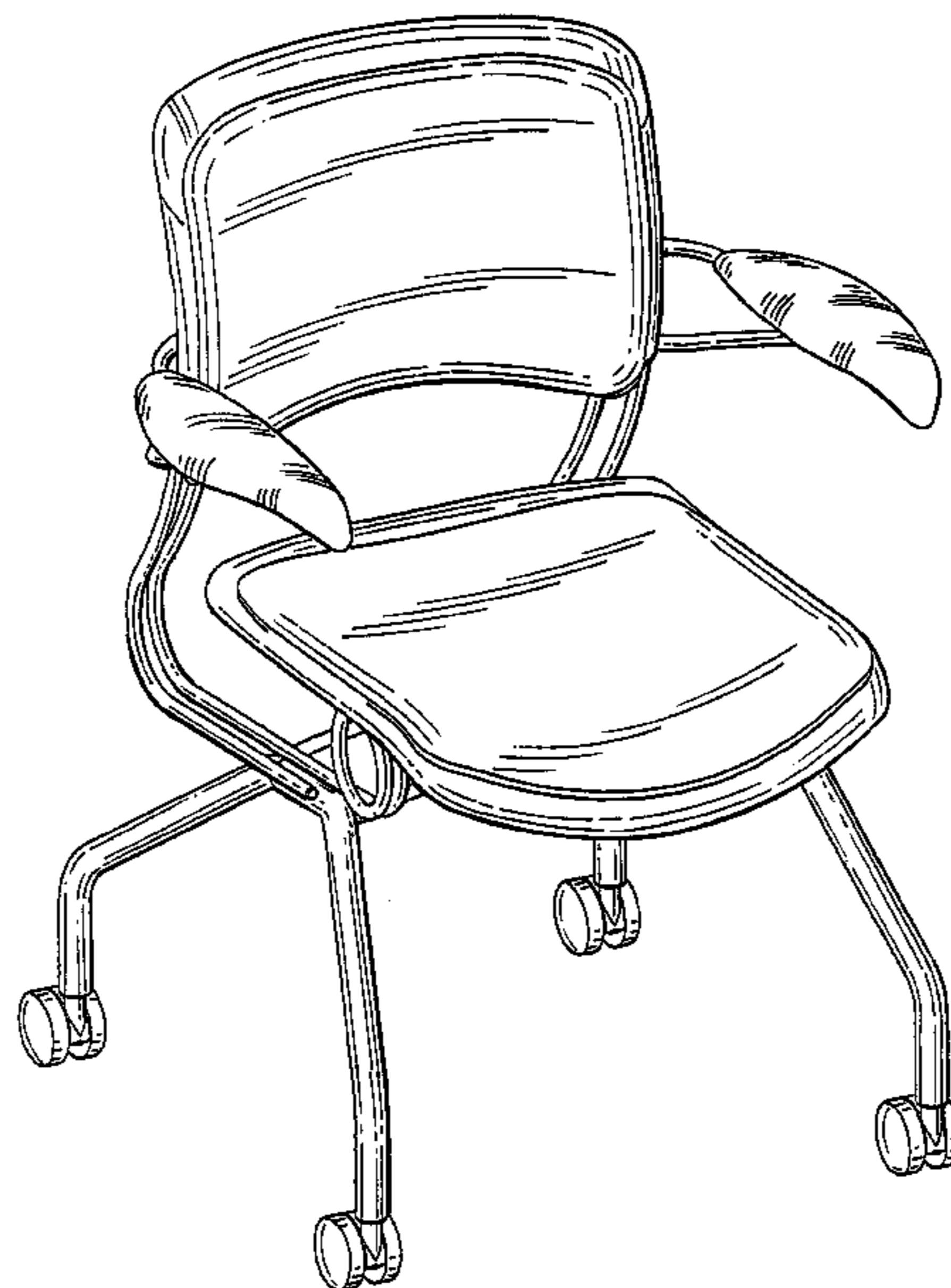


FIG. 1

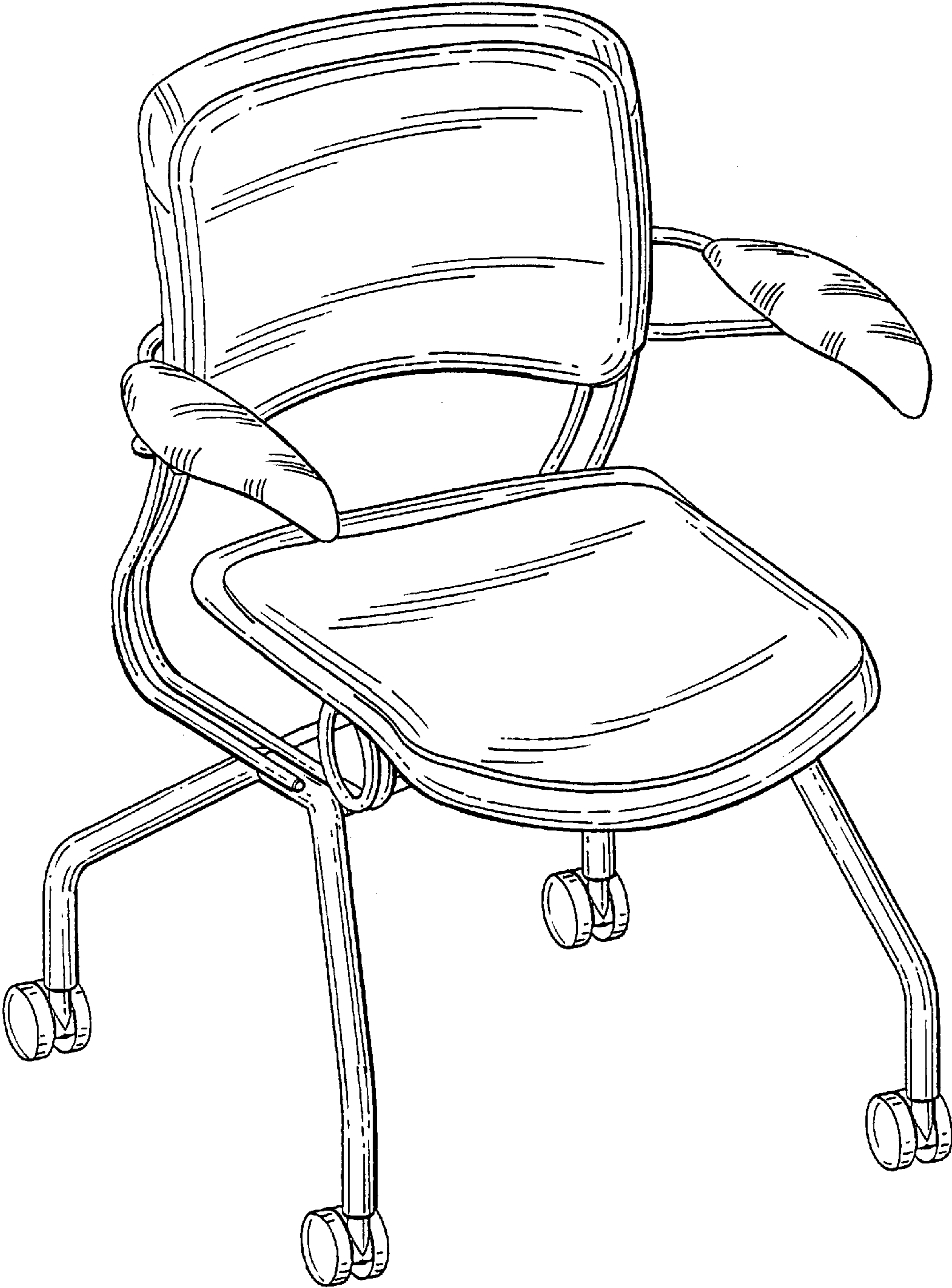


FIG.3

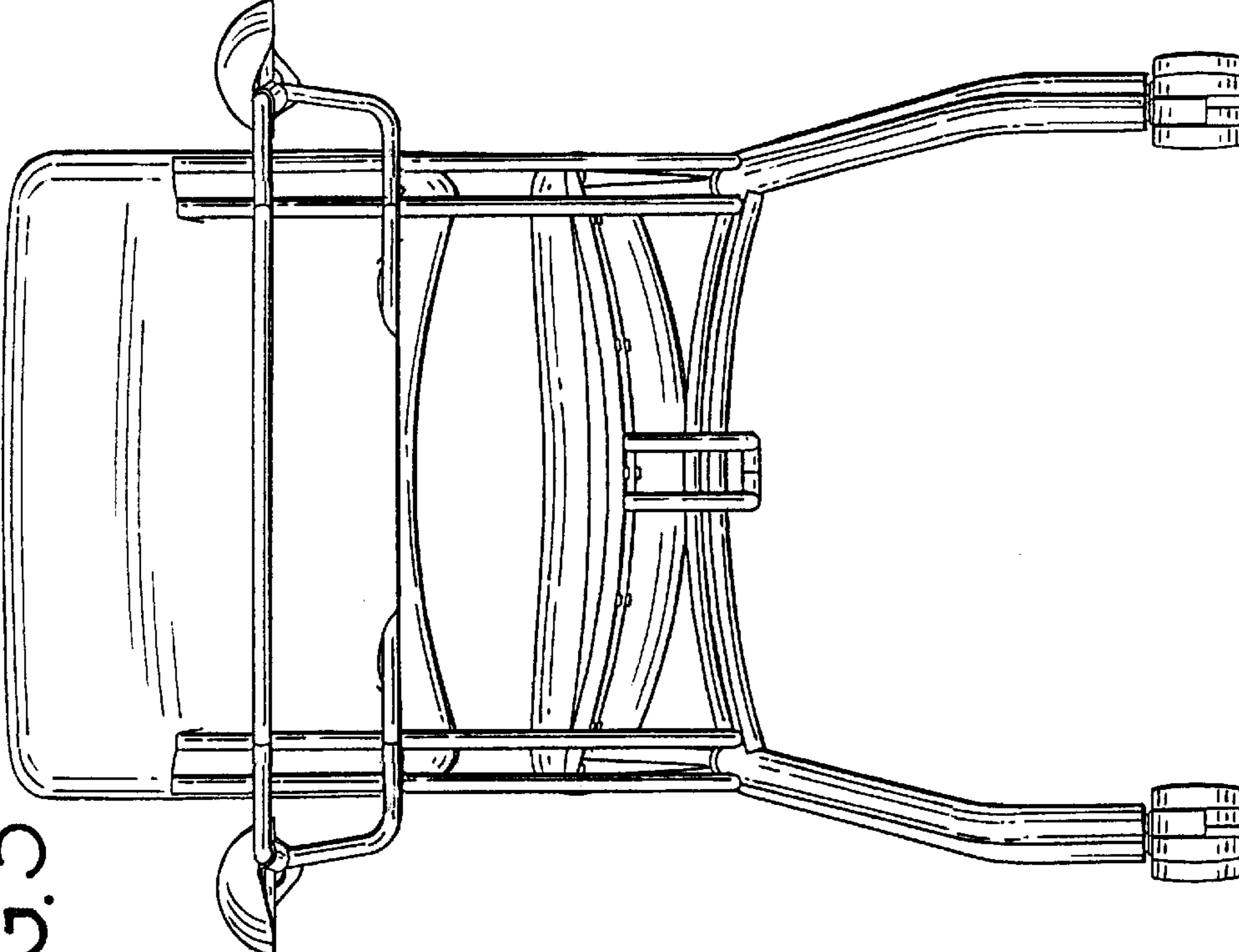


FIG.2

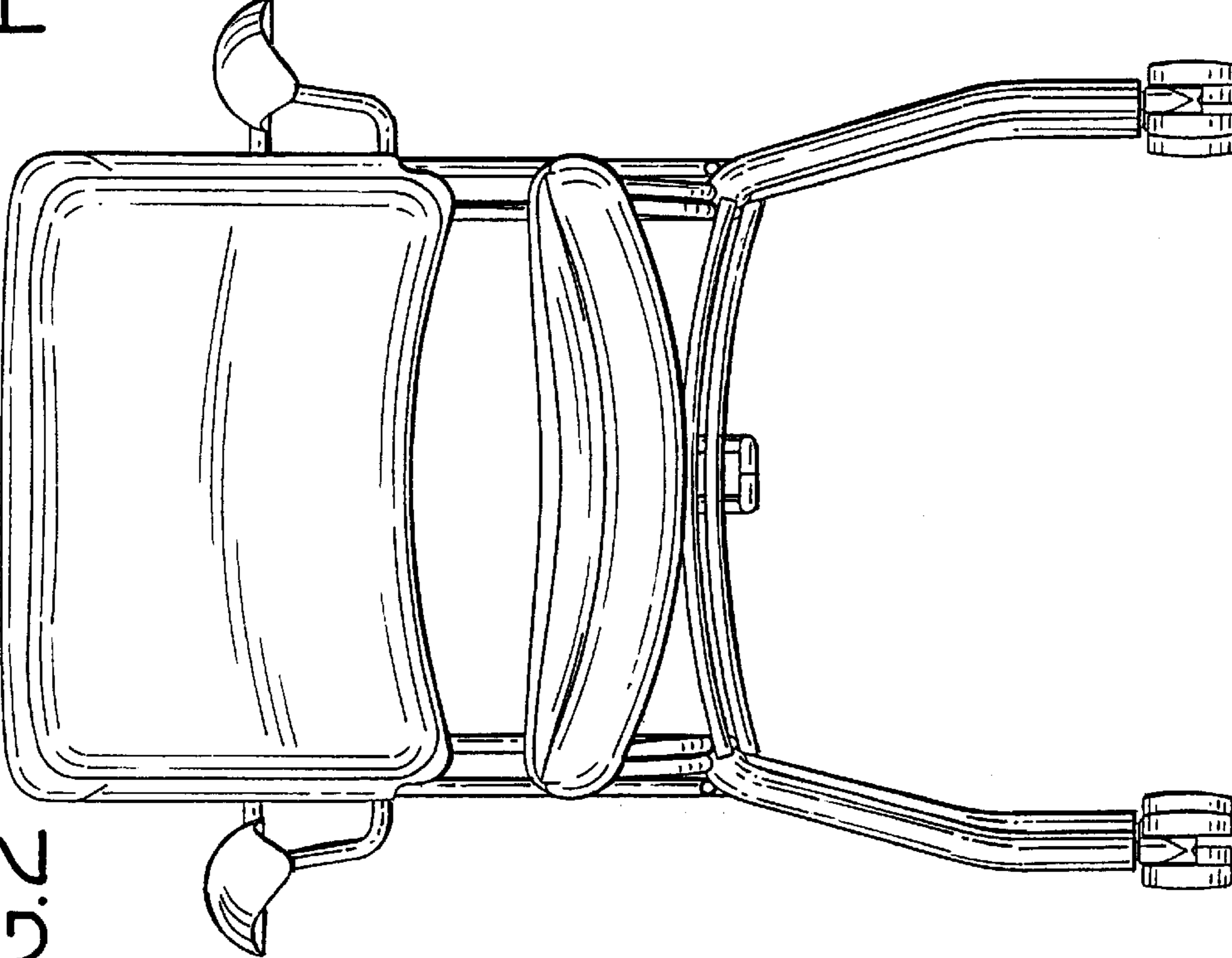




FIG. 5

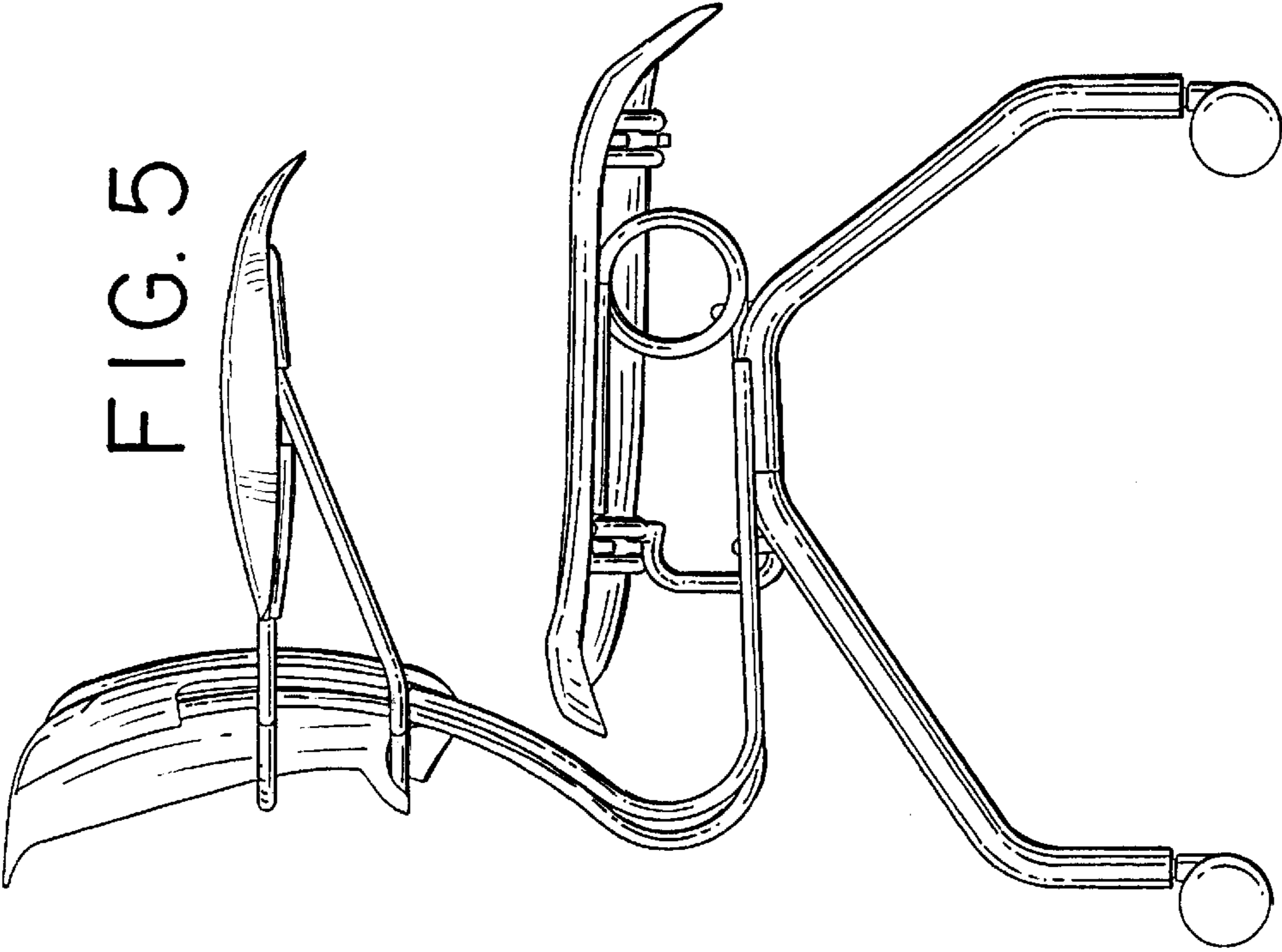


FIG. 4

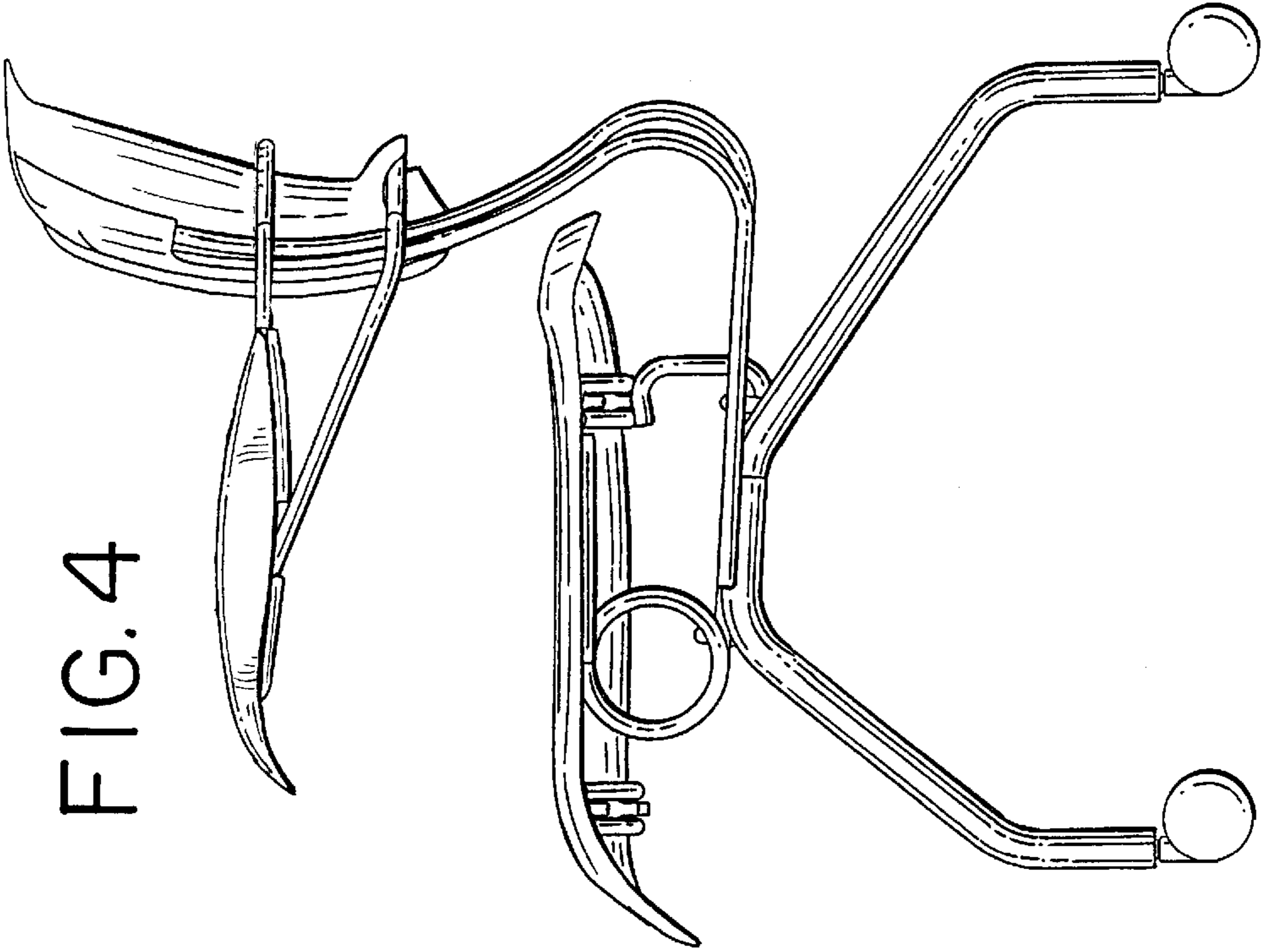


FIG. 7

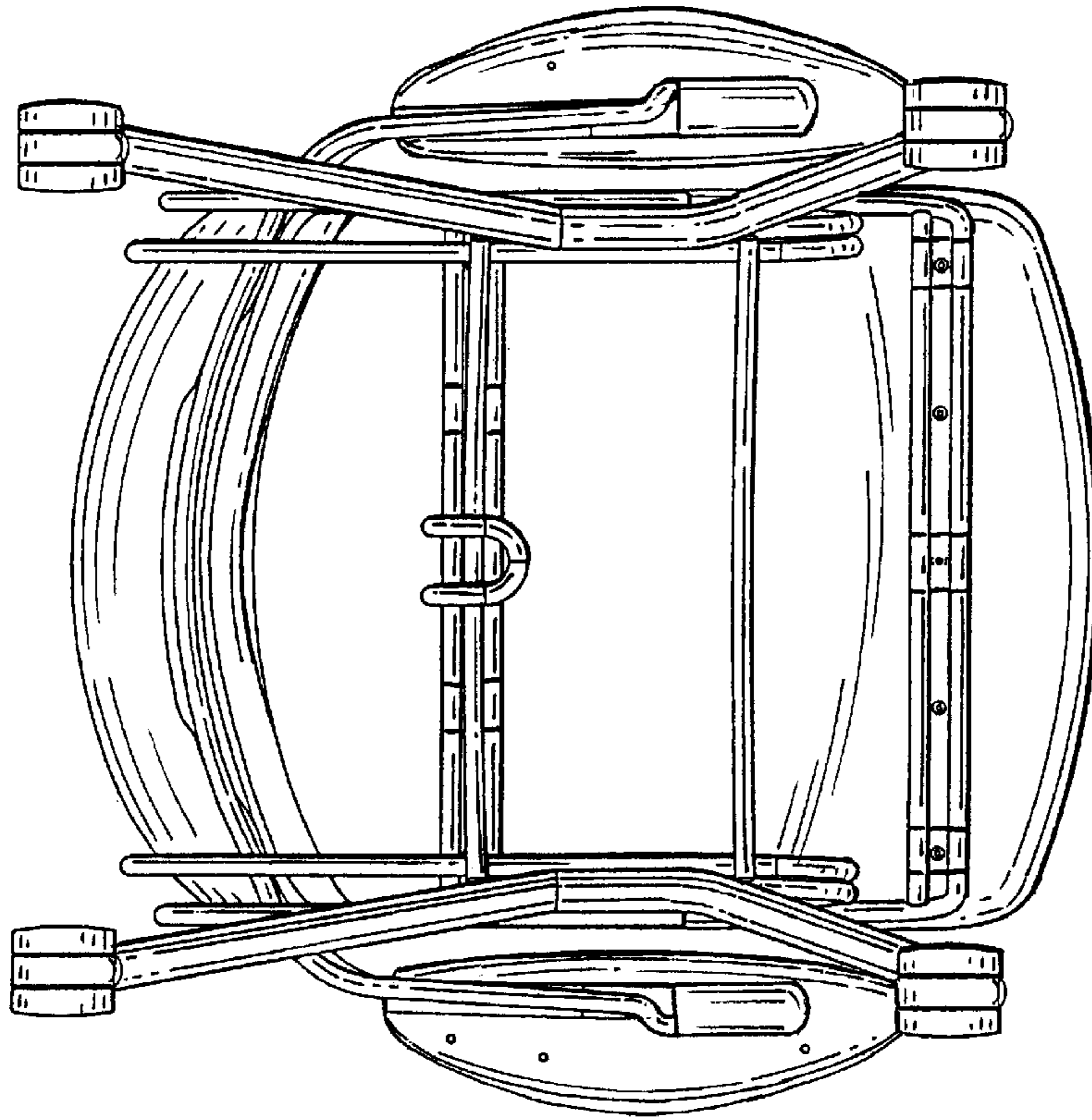


FIG. 6

