

US00D512845S

(12) **United States Design Patent** (10) **Patent No.:** **US D512,845 S**
O'Hare (45) **Date of Patent:** **** Dec. 20, 2005**

(54) **SEAT**
(75) Inventor: **Timothy M. O'Hare**, Oak Ridge, NC (US)
(73) Assignee: **Thomasville Furniture Industries, Inc.**, Thomasville, NC (US)
(**) Term: **14 Years**
(21) Appl. No.: **29/214,602**
(22) Filed: **Oct. 6, 2004**
(51) **LOC (6) Cl.** **06-01**
(52) **U.S. Cl.** **D6/370; D6/360**
(58) **Field of Search** D6/334, 335, 349, D6/350, 352, 353, 360, 369, 370, 374, 375, 379, 380, 381, 500-502; 297/445.1, 446.1, 452.63, 232

D385,714 S * 11/1997 Lewis D6/381
D481,214 S * 10/2003 Chalmers et al. D6/370
D481,215 S * 10/2003 Chalmers et al. D6/370
D485,996 S 2/2004 Stanton D6/334

OTHER PUBLICATIONS

Chair, Christie's, date unknown, available as of the filing date.

* cited by examiner

Primary Examiner—Mimosa De

(74) *Attorney, Agent, or Firm*—Womble Carlyle Sandridge & Rice, PLLC

(57) **CLAIM**

The ornamental design for a seat, as shown and described.

DESCRIPTION

FIG. 1 is a perspective view of a seat showing my new design with the legs, nail heads and base beneath in dashed lines;

FIG. 2 is a front perspective view thereof;

FIG. 3 is a slightly enlarged side elevational view, the opposite side being a mirror image thereof; and,

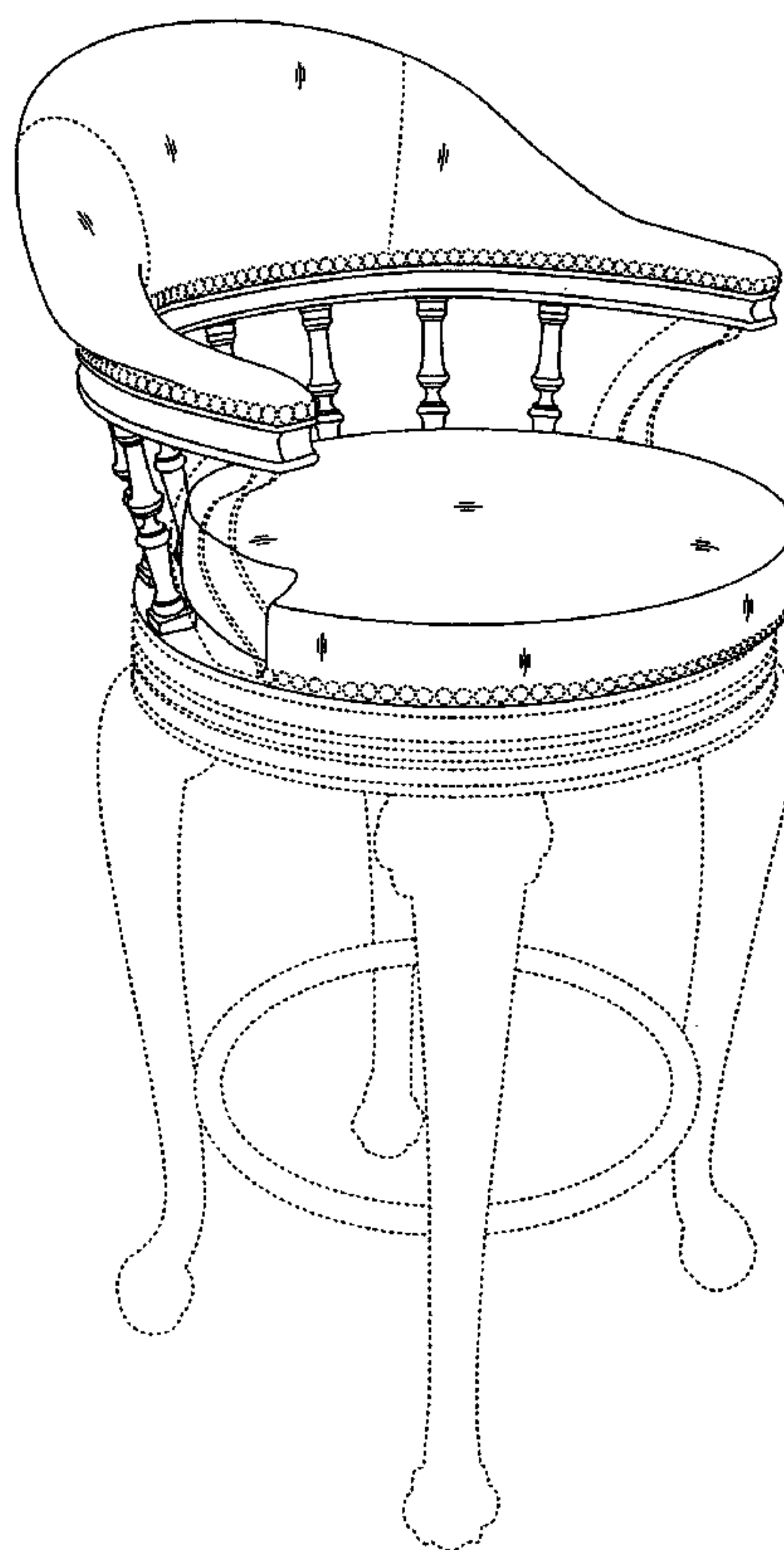
FIG. 4 is a slightly enlarged rear elevational view thereof.

The views of the seat not shown form no part of the claimed design. The broken lines depicting legs, nail heads and base beneath nail heads represent environmental elements only and form no part of the claimed design.

(56) **References Cited**
U.S. PATENT DOCUMENTS

D37,462 S * 6/1905 Redmond D6/379
D86,038 S * 1/1932 Macomber D6/379
D181,214 S * 10/1957 Lubberts et al. D6/379
D195,257 S * 5/1963 Andersen et al. D6/379
D271,543 S * 11/1983 DeFuccio D6/379
D286,473 S * 11/1986 Zakharov D6/379
D287,794 S * 1/1987 Zakharov D6/360
D294,434 S * 3/1988 Zakharov D6/360
D311,461 S * 10/1990 Lee et al. D6/380

1 Claim, 4 Drawing Sheets



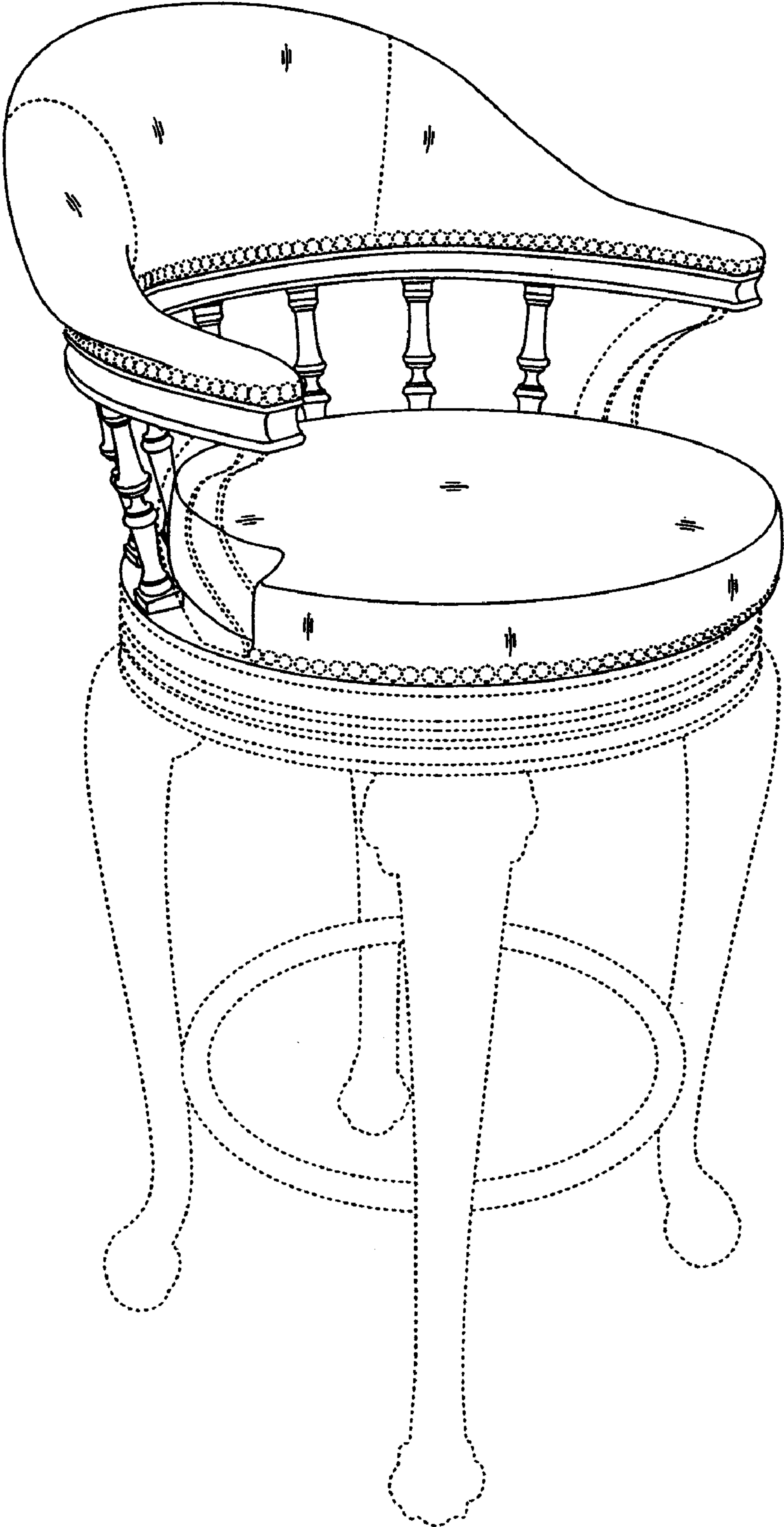


FIG. 1

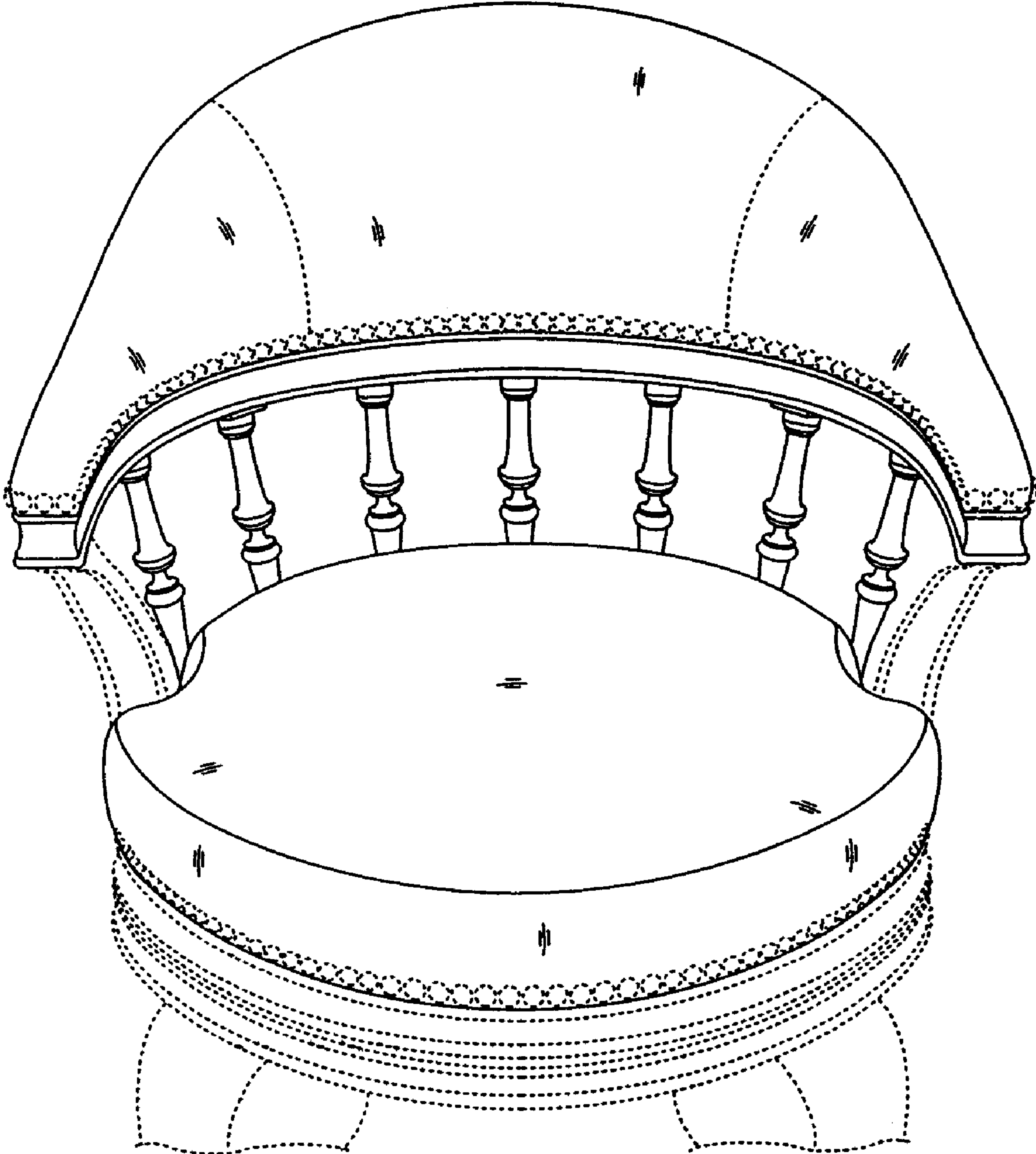


FIG. 2

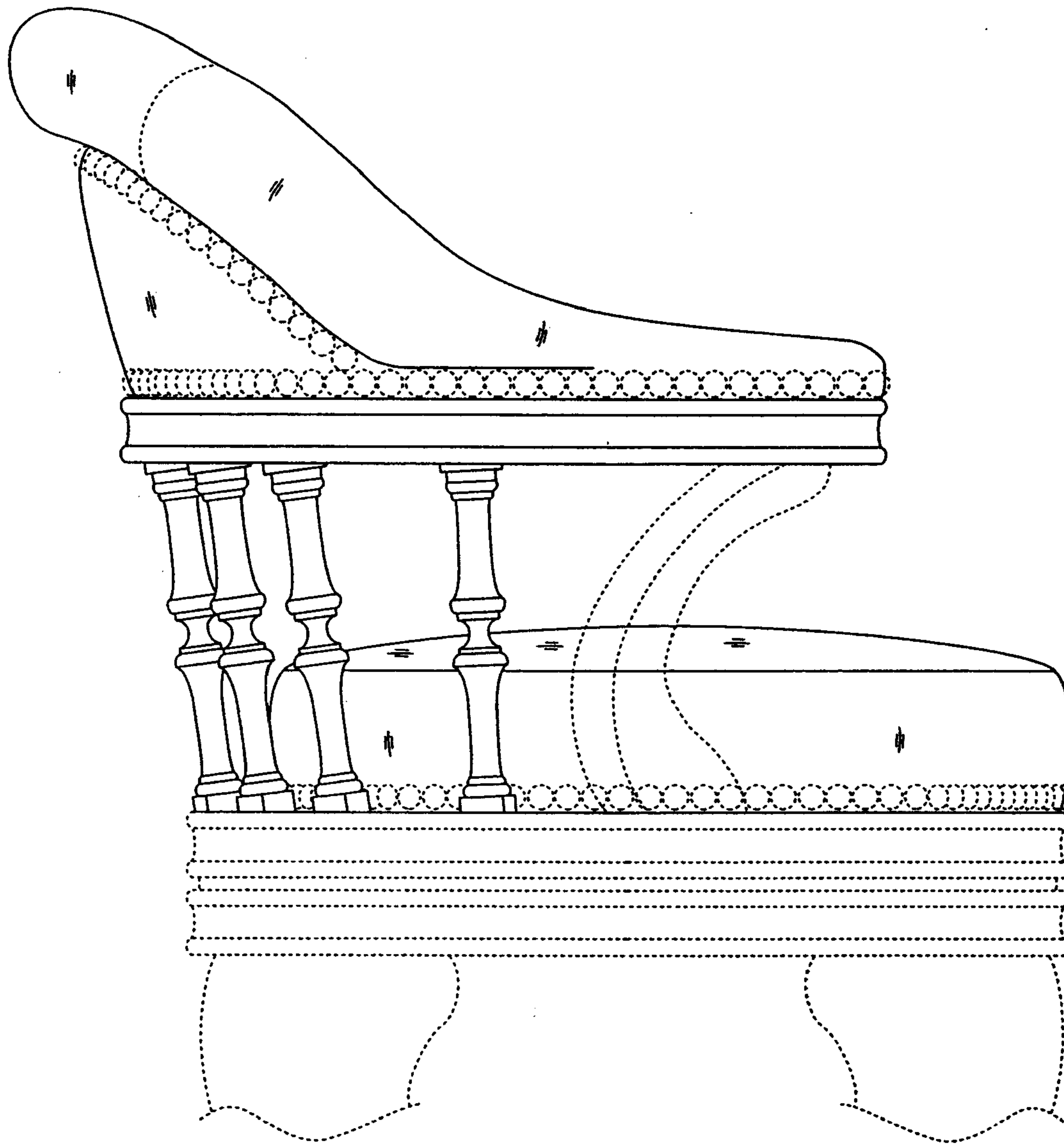


FIG. 3

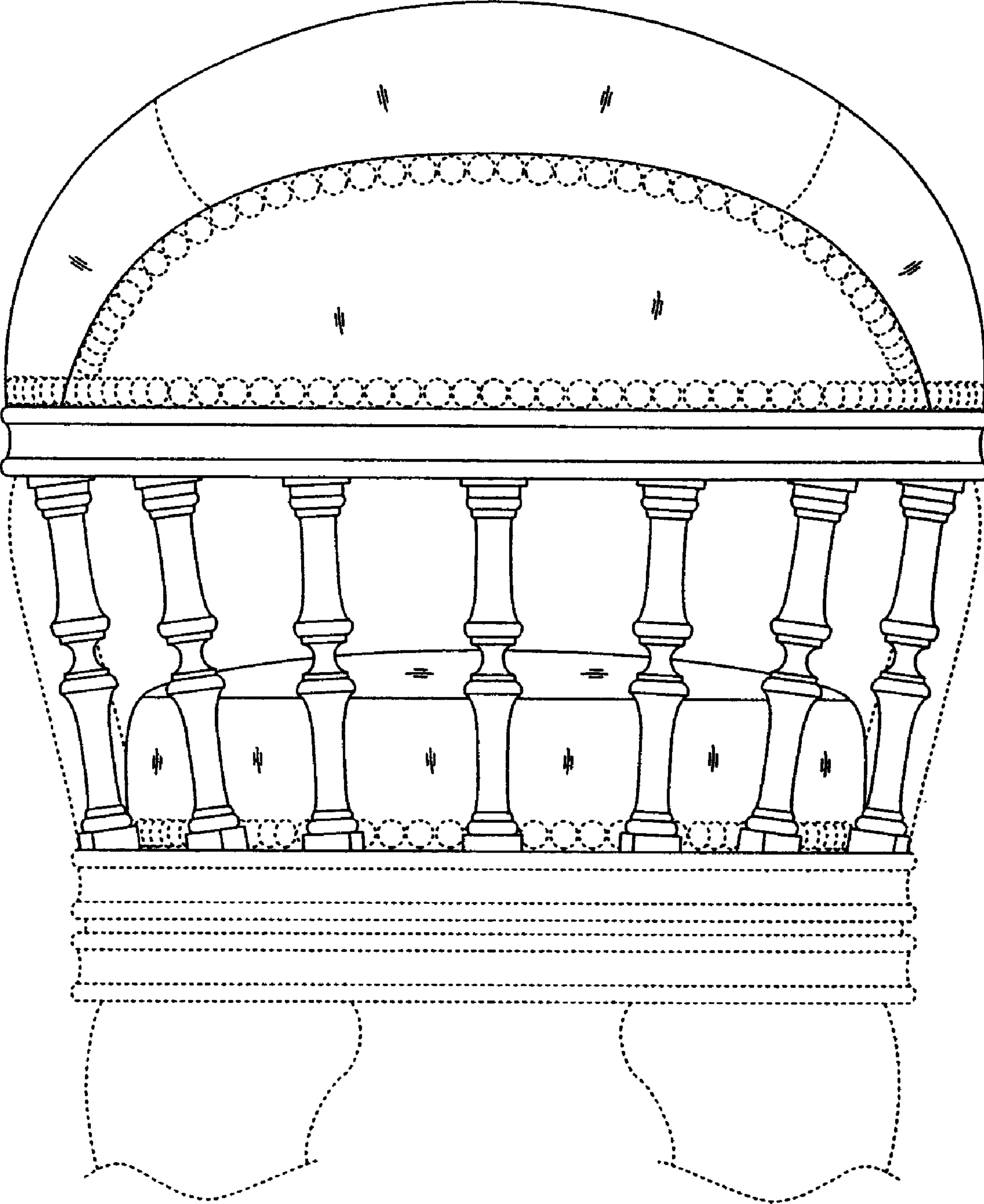


FIG. 4