



US00D512844S

(12) **United States Design Patent**  
**Suzuki et al.**

(10) **Patent No.:** **US D512,844 S**  
(45) **Date of Patent:** **\*\* Dec. 20, 2005**

(54) **SEAT**

(75) Inventors: **Masaru Suzuki**, Brooklyn, NY (US);  
**Jennifer Hutton**, New York, NY (US);  
**Cynthia Biboso**, New York, NY (US)

(73) Assignee: **Donghia Furniture/Textiles Ltd.**, New York, NY (US)

(\*\*) **Term:** **14 Years**

(21) **Appl. No.:** **29/203,236**

(22) **Filed:** **Apr. 12, 2004**

(51) **LOC (6) Cl.** ..... **06-01**

(52) **U.S. Cl.** ..... **D6/369; D6/370; D6/379;**  
**D6/380; D6/381**

(58) **Field of Search** ..... **D6/334, 369, 370,**  
**D6/376, 379, 380, 381, 500-502; 297/232,**  
**411.41, 411.42, 451.9, 445.1, 446.1**

(56) **References Cited**

**U.S. PATENT DOCUMENTS**

D77,412 S	*	1/1929	Jones	.....	D6/369
D78,930 S	*	7/1929	Jones	.....	D6/369
D79,062 S	*	7/1929	Bendixen et al.	.....	D6/379
D80,769 S	*	3/1930	Anderson	.....	D6/379
D81,481 S	*	7/1930	Jones	.....	D6/369
D81,934 S	*	9/1930	Jones	.....	D6/369
D181,215 S	*	10/1957	Lubberts	.....	D6/379
D234,989 S	*	4/1975	Lopez-Benitez	.....	D6/379
D266,469 S	*	10/1982	Bergquist et al.	.....	D6/379
D268,465 S	*	4/1983	Bergquist et al.	.....	D6/379
D279,242 S	*	6/1985	Jernigan	.....	D6/370
D290,194 S	*	6/1987	Zola	.....	D6/369
D296,626 S	*	7/1988	Thorpe	.....	D6/381

D296,627 S	*	7/1988	Thorpe	.....	D6/369
D300,588 S	*	4/1989	White	.....	D6/379
D321,995 S	*	12/1991	Saiger	.....	D6/379
D340,590 S	*	10/1993	McGuire et al.	.....	D6/369
D343,961 S	*	2/1994	Gibbs	.....	D6/369
D350,442 S	*	9/1994	Lowsky	.....	D6/369
D357,367 S	*	4/1995	Klein	.....	D6/379
D448,192 S	*	9/2001	Kane	.....	D6/381
D454,442 S		3/2002	Hutton	.....	D6/379

\* cited by examiner

*Primary Examiner*—Mimosa De

(74) *Attorney, Agent, or Firm*—Heslin Rothenberg Farley & Mesiti P.C.

(57) **CLAIM**

The ornamental design for the seat, as shown and described.

**DESCRIPTION**

FIG. 1 is a perspective view of a first embodiment of a seat accordance with the new design;

FIG. 2 is a slightly enlarged top view thereof;

FIG. 3 is a slightly enlarged front view thereof;

FIG. 4. is a slightly enlarged right view thereof;

FIG. 5 is a slightly enlarged rear view thereof;

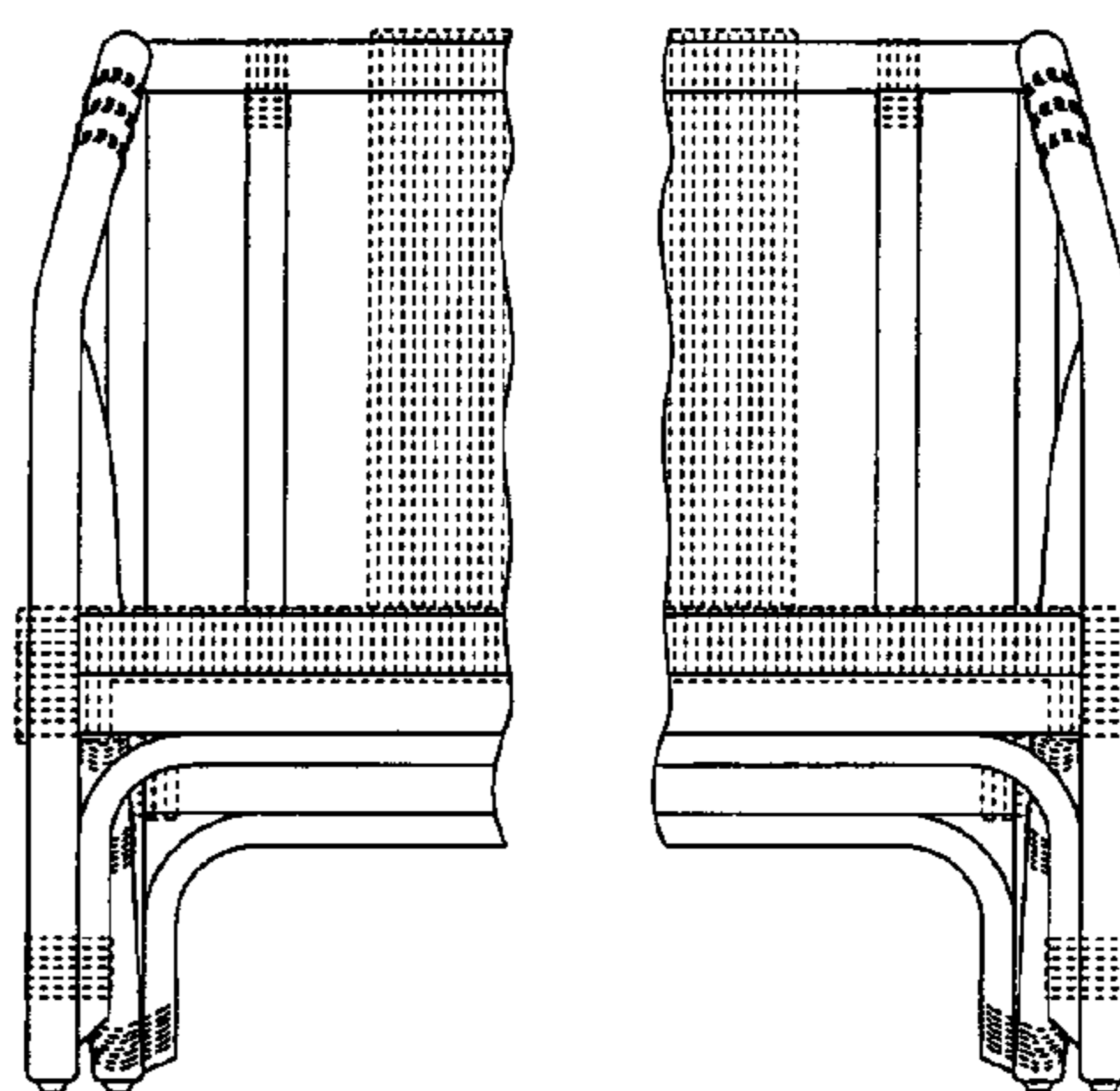
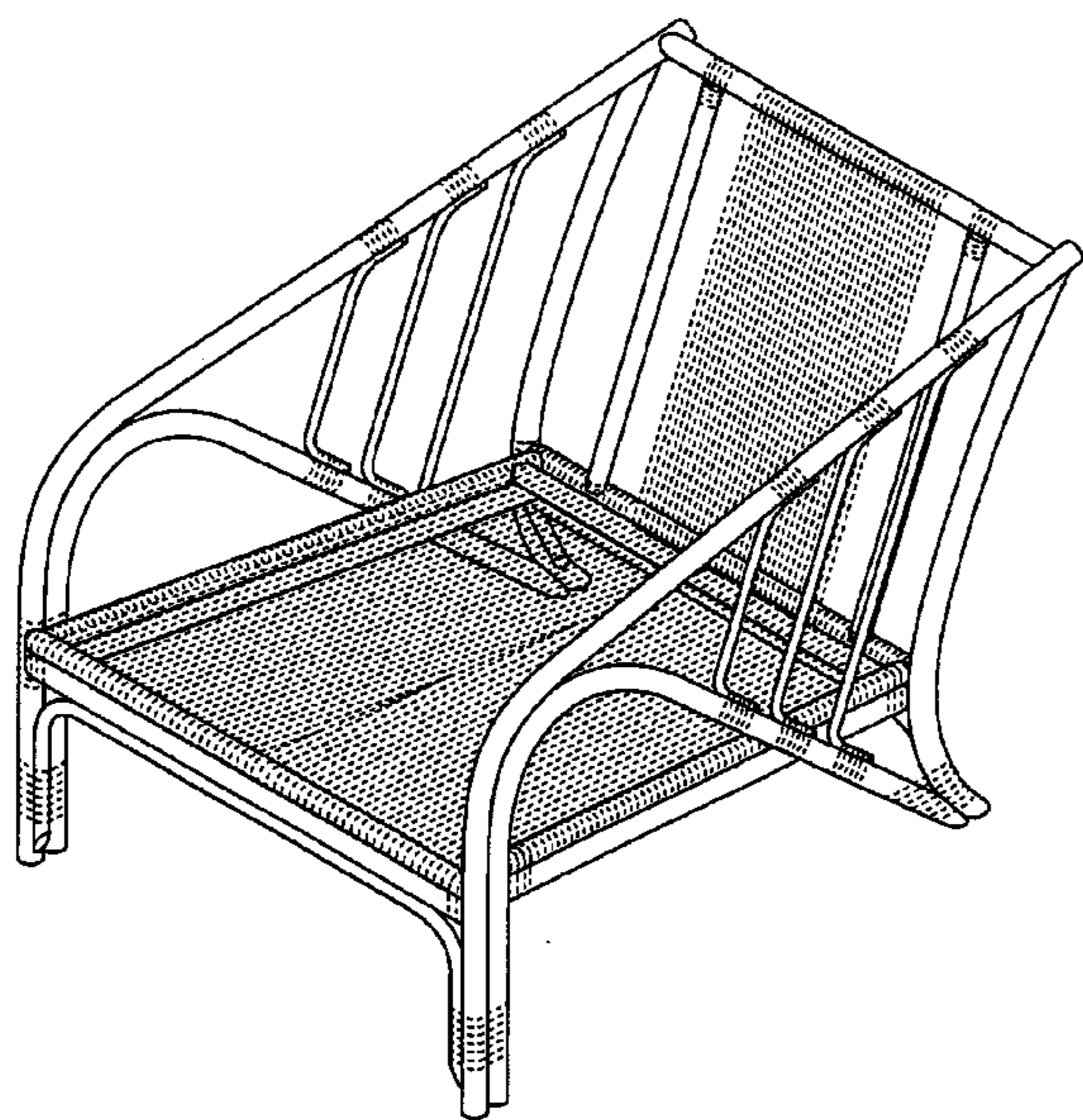
FIG. 6 is a front view of a second embodiment of said new design having an indeterminable width; and,

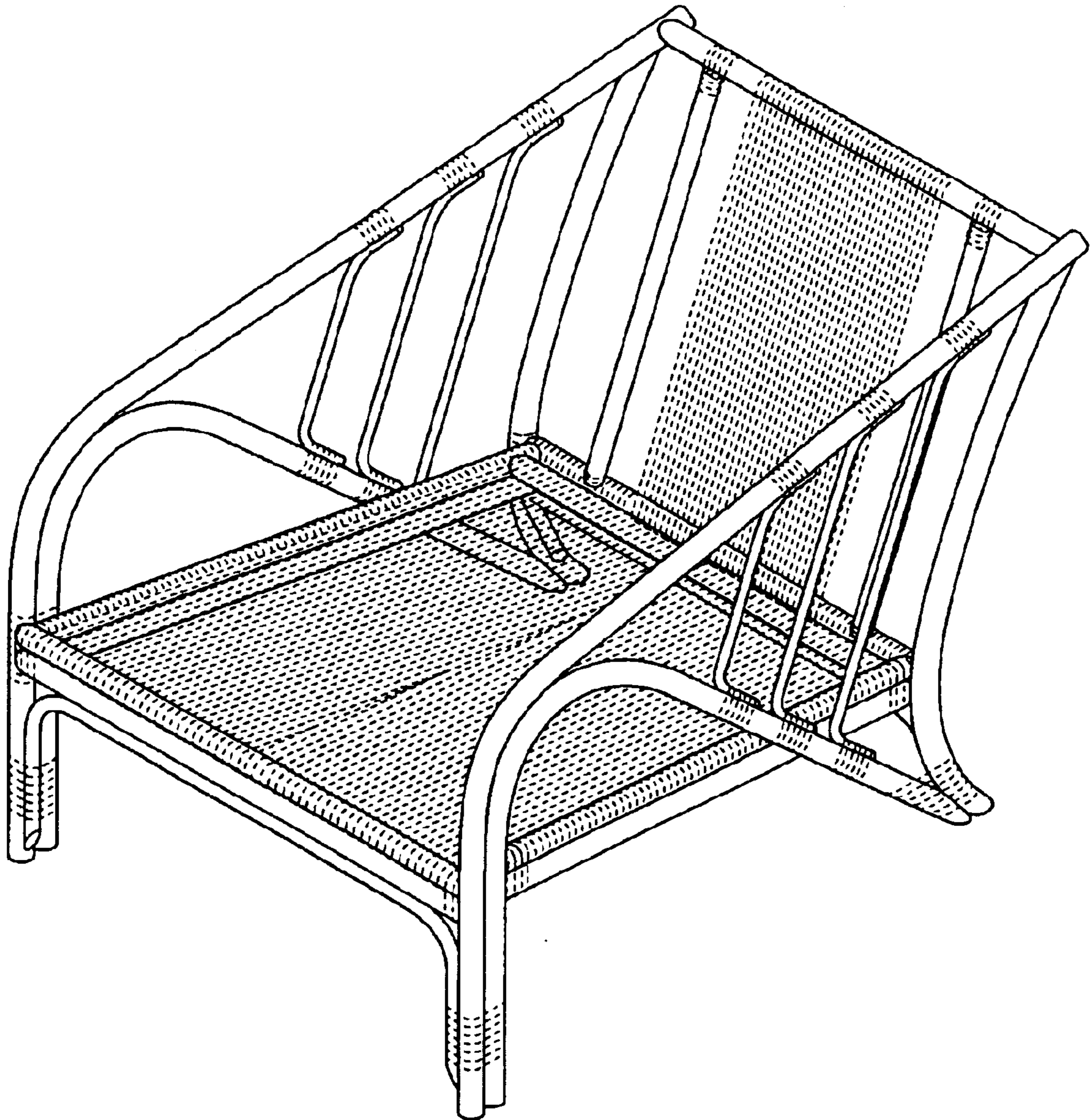
FIG. 7 is a front view of a third embodiment of said new design.

The broken lines in the figures are for illustrative purposes only and form no part of the claimed invention.

It is understood that the side views of FIGS. 6 and 7 are the same as those shown in FIGS. 1 and 4.

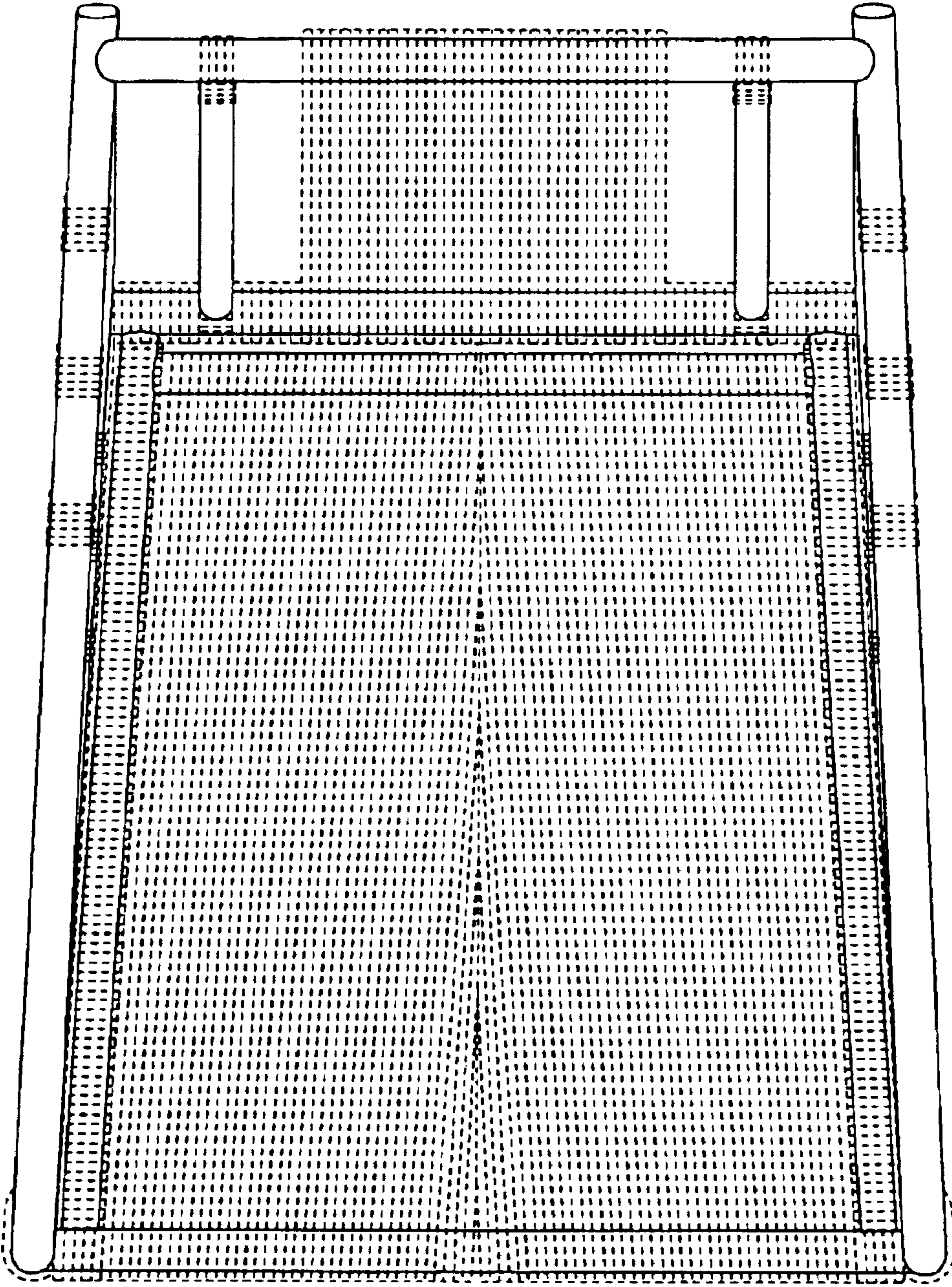
**1 Claim, 7 Drawing Sheets**



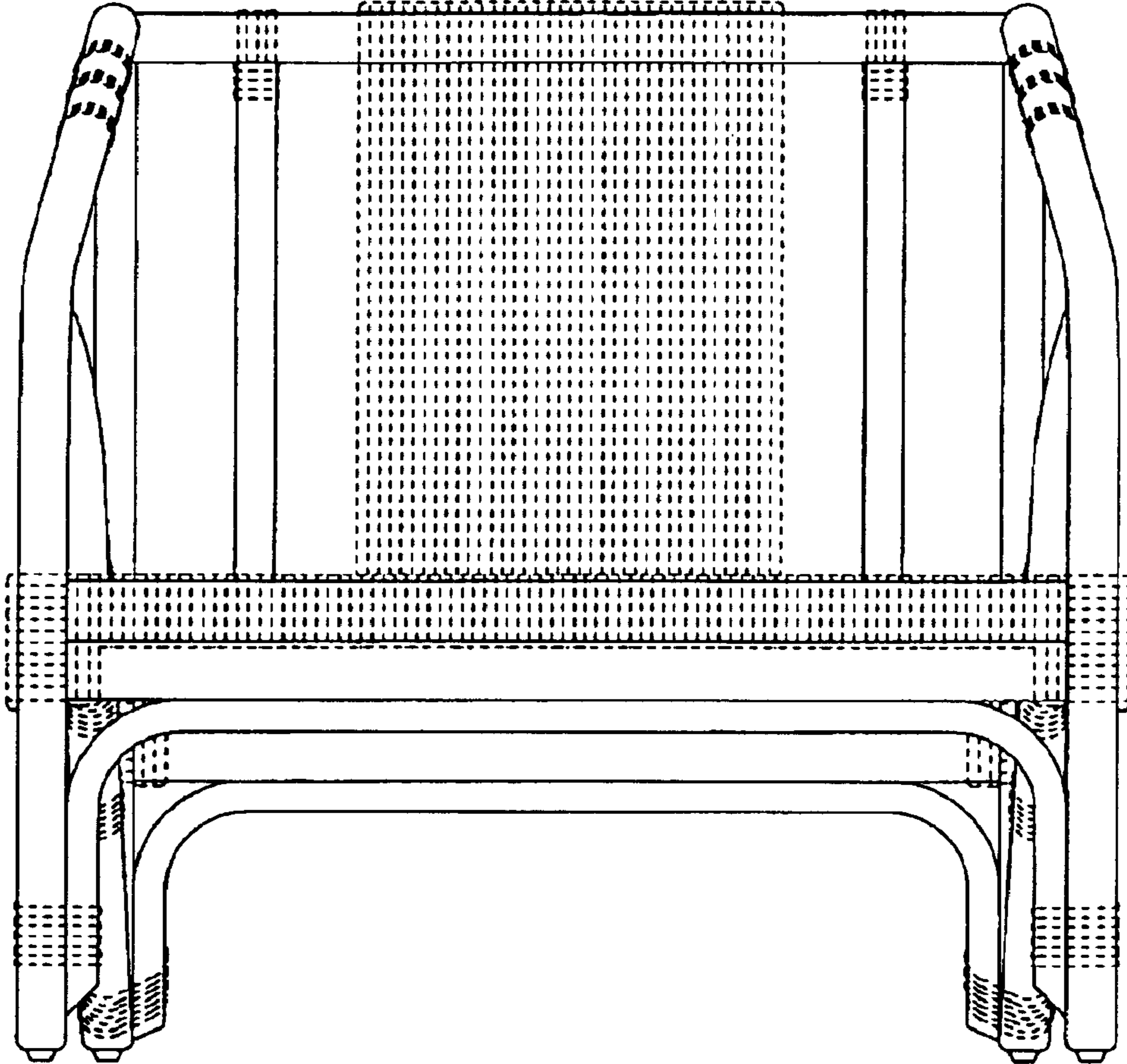


**FIG. 1**

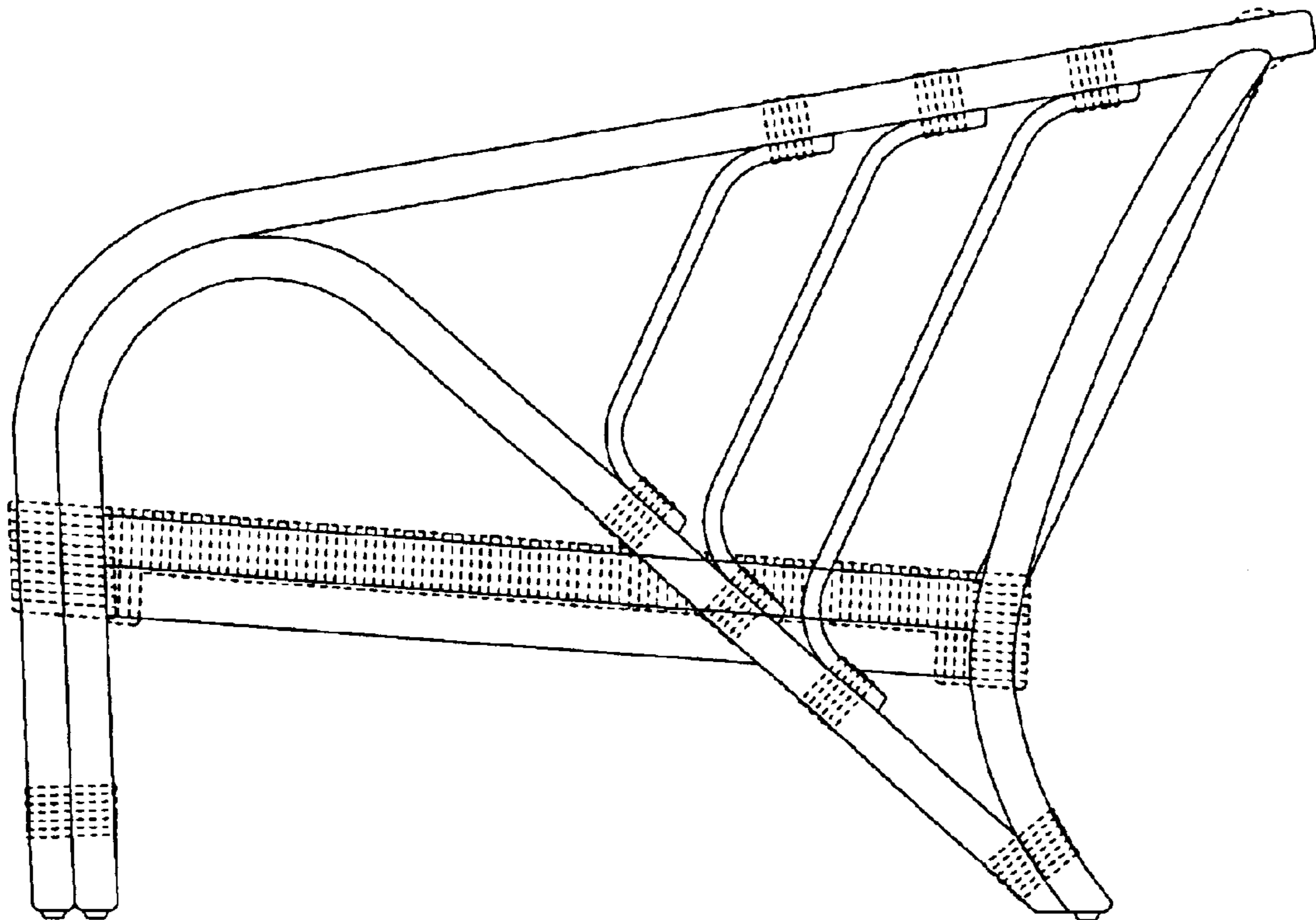




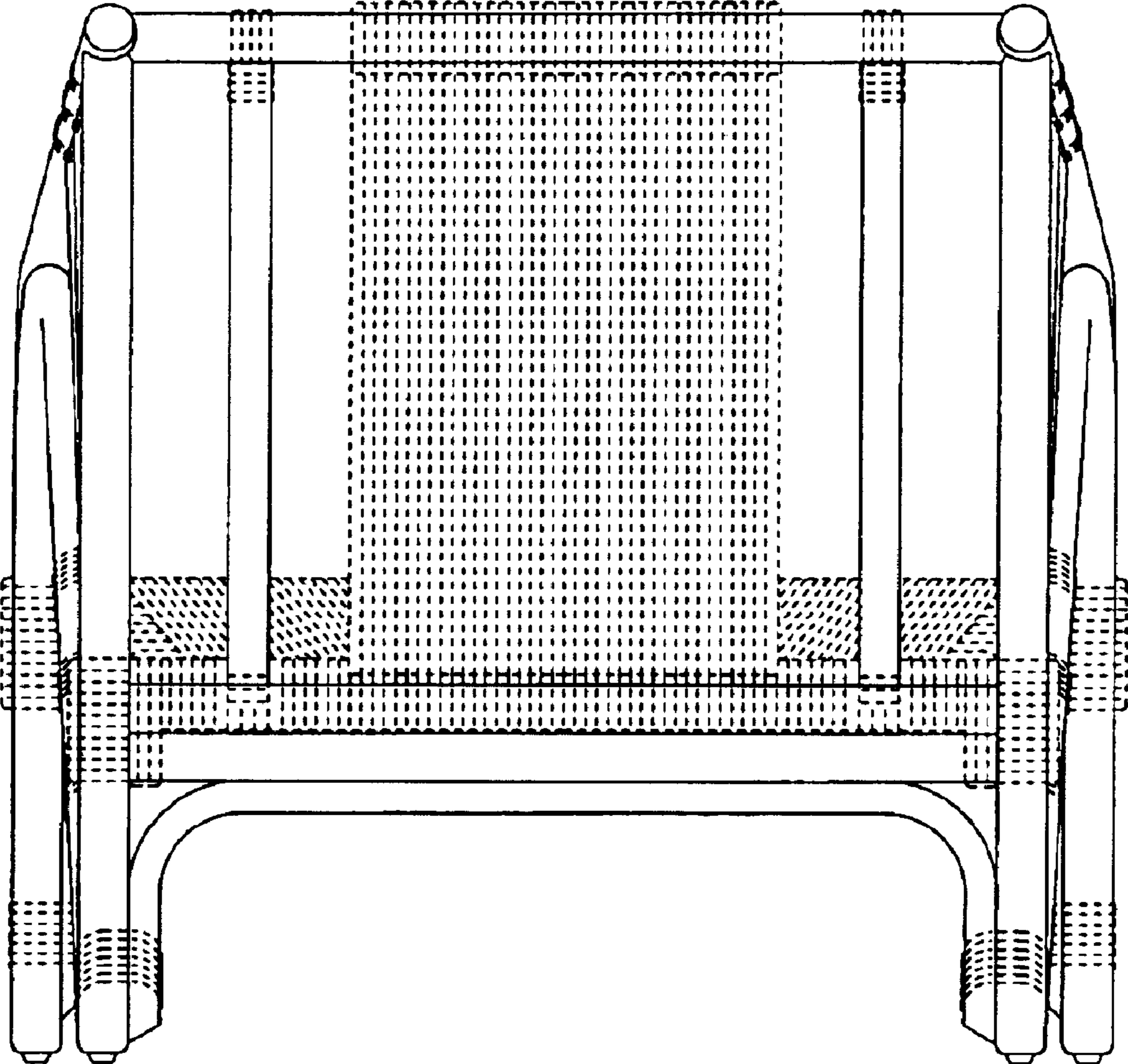
**FIG. 2**



**FIG. 3**

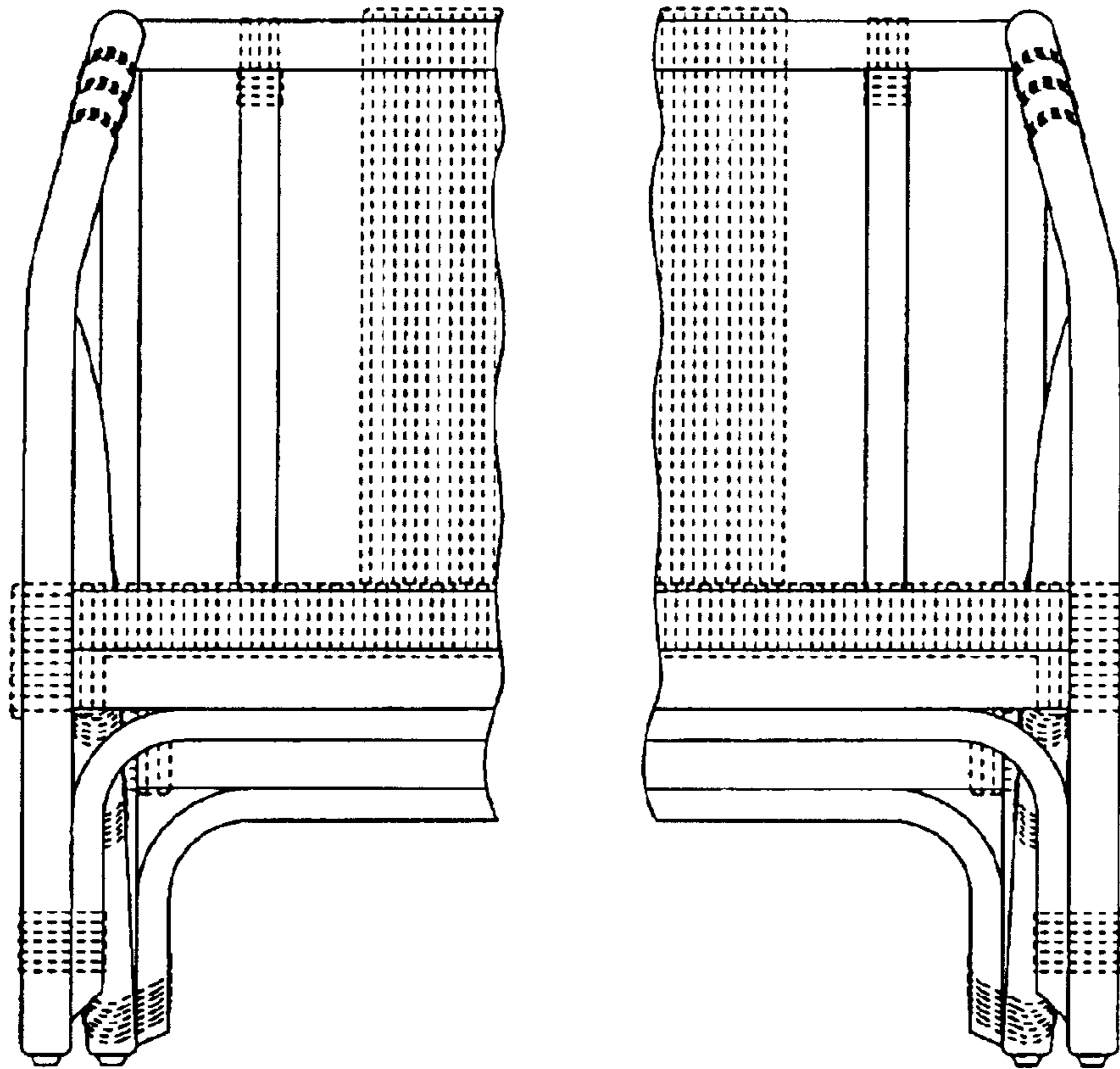


**FIG. 4**

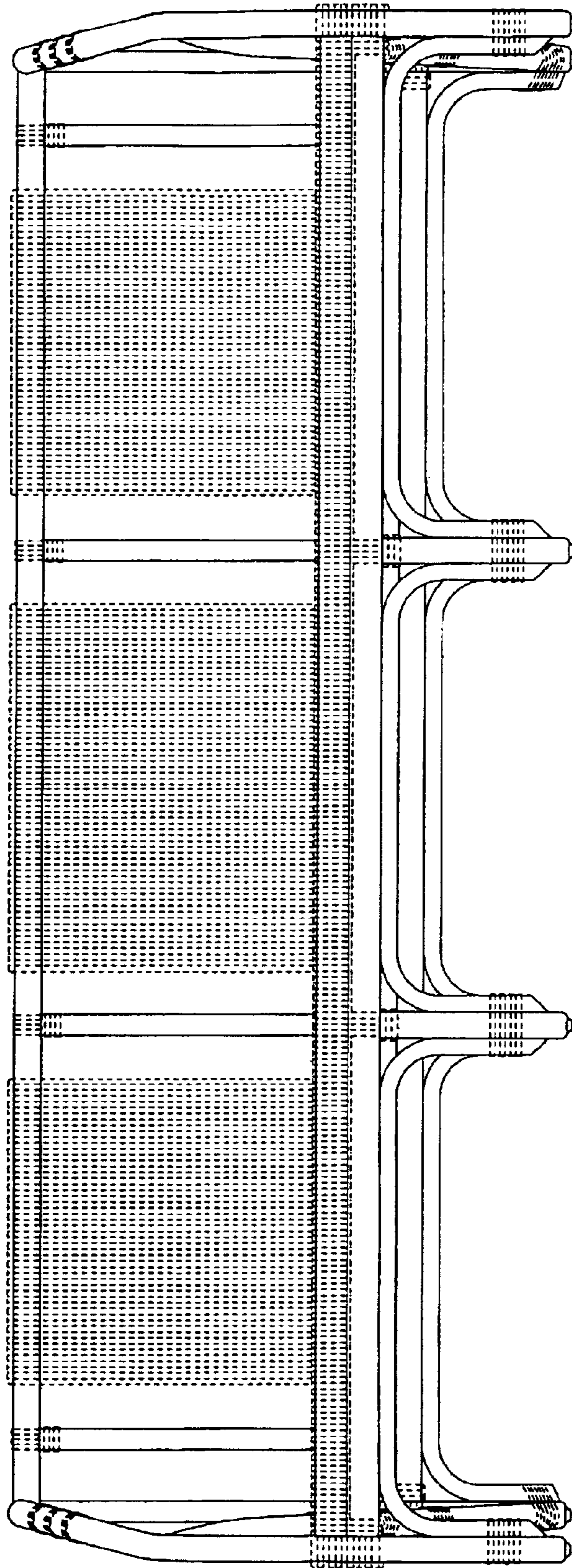


**FIG. 5**





**FIG. 6**



**FIG. 7**