



US00D512834S

(12) **United States Design Patent**
Wagner, II

(10) **Patent No.:** **US D512,834 S**
(45) **Date of Patent:** **** Dec. 20, 2005**

(54) **ARMBAND CARRIER WITH WINDOW**

(75) Inventor: **Richard S. Wagner, II**, Loveland, OH (US)

(73) Assignee: **Tune Belt, Inc.**, Loveland, OH (US)

(**) Term: **14 Years**

(21) Appl. No.: **29/212,277**

(22) Filed: **Aug. 30, 2004**

(51) **LOC (6) Cl.** **03-01**

(52) **U.S. Cl.** **D3/226**

(58) **Field of Search** D3/226, 215, 221,
D3/224, 218, 230, 232-234; 224/219, 222,
267, 236, 240; 2/169-170

(56) **References Cited**

U.S. PATENT DOCUMENTS

D33,980 S	1/1901	Mitchell	D3/230
D248,258 S	6/1978	Munari	D3/230
D258,246 S	2/1981	Kravchenko	D3/230
D278,761 S	5/1985	Fuller	D3/218
D293,387 S	12/1987	Wagner, II	D2/630
D350,025 S	8/1994	Rolle	D3/226
D374,983 S	10/1996	Brucki	D3/226
5,577,653 A	11/1996	Bieker	224/684
D380,086 S	6/1997	Brassard	D3/215
D384,808 S	10/1997	Carretta	D3/221
D395,163 S	6/1998	Huang	D3/226

D406,455 S	3/1999	Wagner, II	D3/226
D408,628 S	4/1999	Fusco	D3/226
D419,291 S	1/2000	Pugh	D3/226
D426,058 S	6/2000	Gaines et al.	D3/226
D458,021 S	6/2002	Willows et al.	D3/226
D490,239 S	5/2004	Wagner, II	D3/226
D490,974 S	6/2004	Wagner, II	D3/226

Primary Examiner—Catherine R. Oliver

(74) *Attorney, Agent, or Firm*—Sand & Sebolt

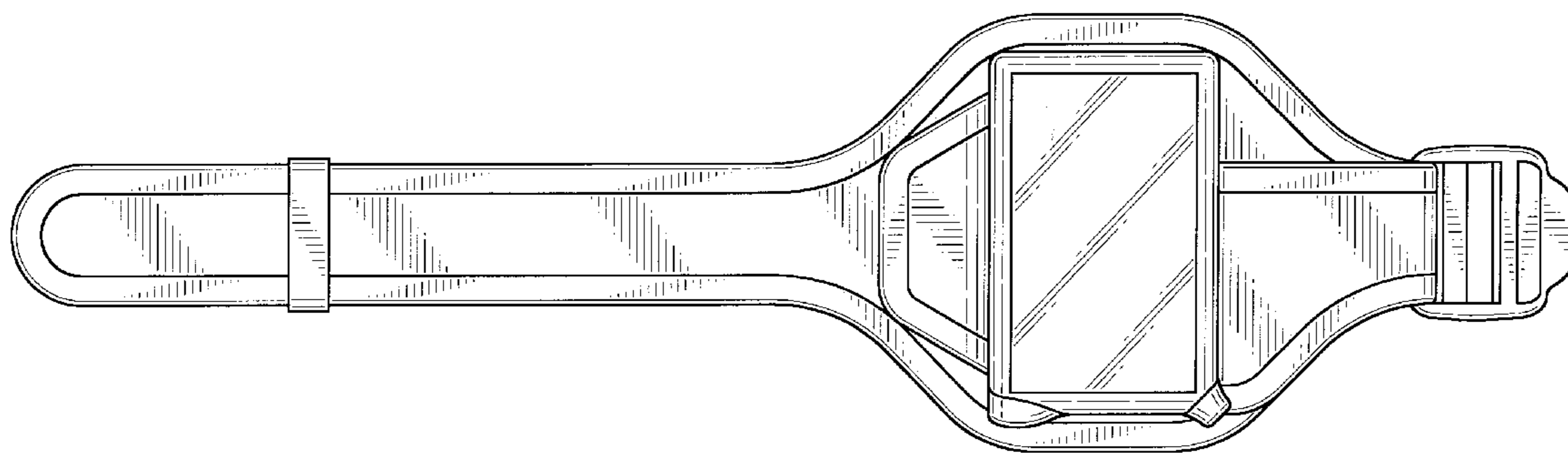
(57) **CLAIM**

The ornamental design for the armband carrier with window, as shown and described.

DESCRIPTION

FIG. 1 is a front elevational view of the armband carrier with window showing my new design;
 FIG. 2 is a top plan view thereof;
 FIG. 3 is a bottom plan view thereof;
 FIG. 4 is a rear elevational view thereof;
 FIG. 5 is a left end view of FIG. 1;
 FIG. 6 is a right end view of FIG. 1;
 FIG. 7 is a front elevational view of a modified embodiment of the armband carrier with window;
 FIG. 8 is a top plan view of the modified armband carrier of FIG. 7; and,
 FIG. 9 is a bottom plan view of the modified armband carrier.

1 Claim, 3 Drawing Sheets



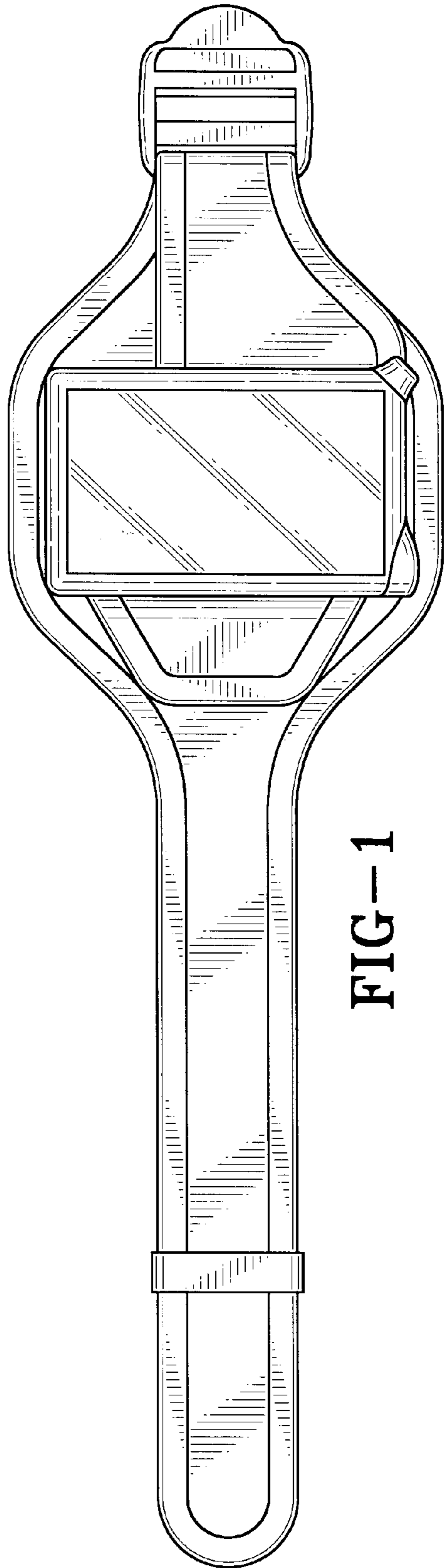


FIG-1



FIG-2

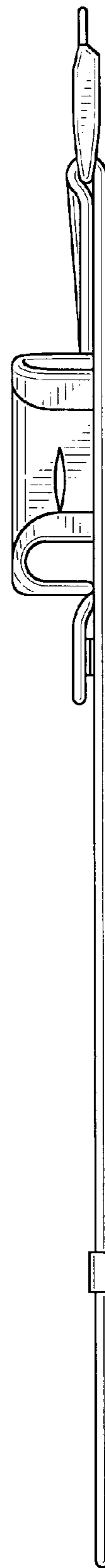
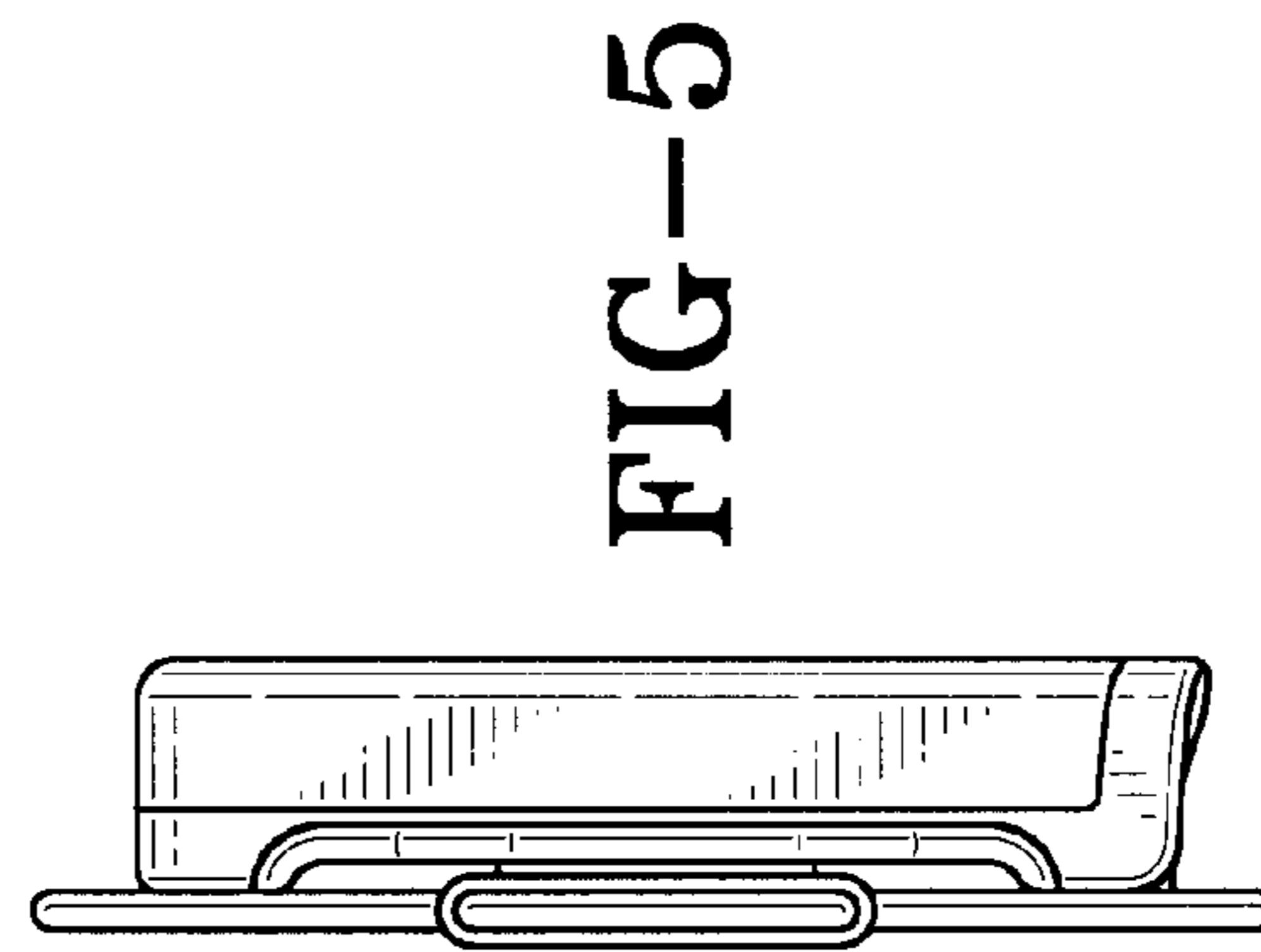
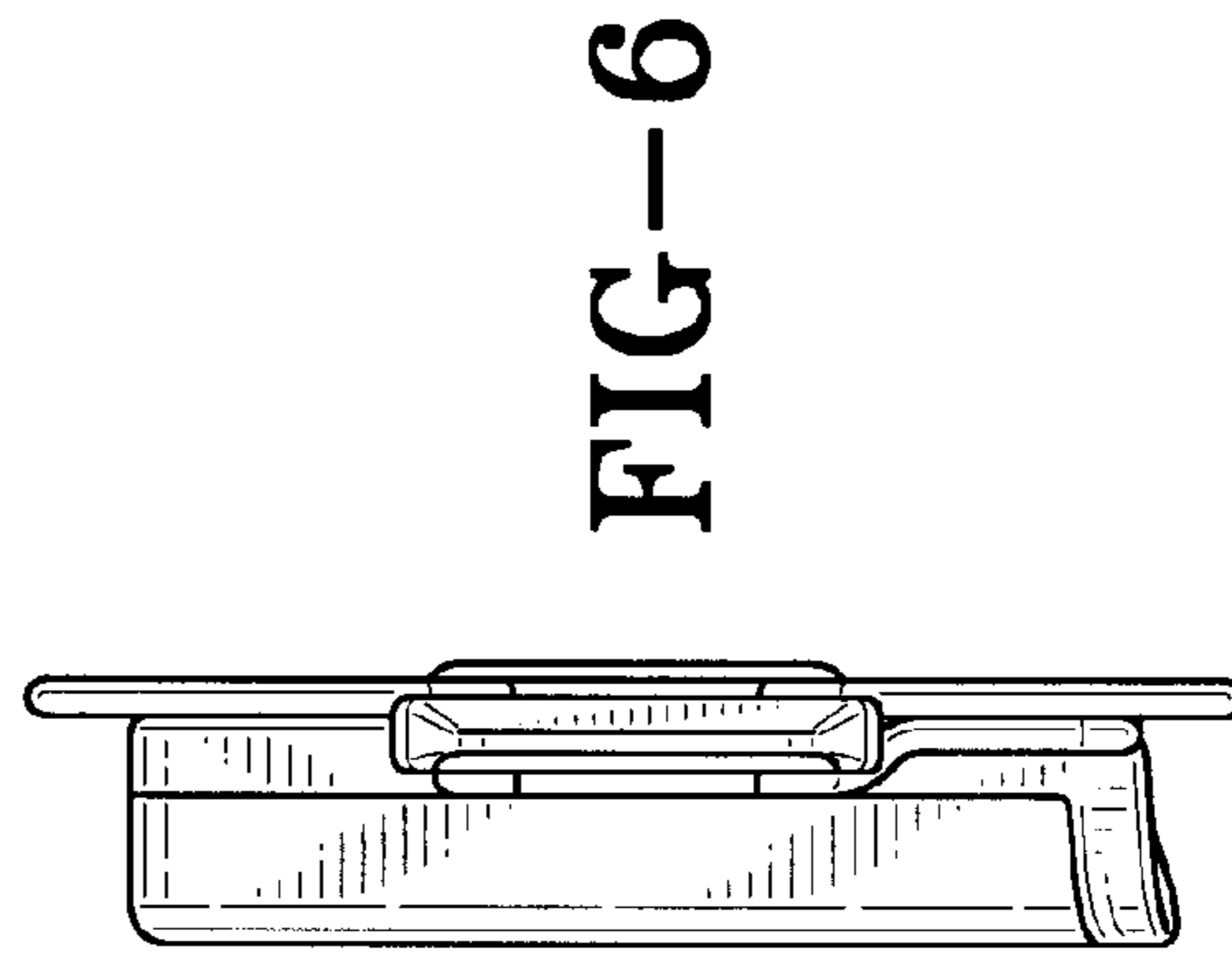
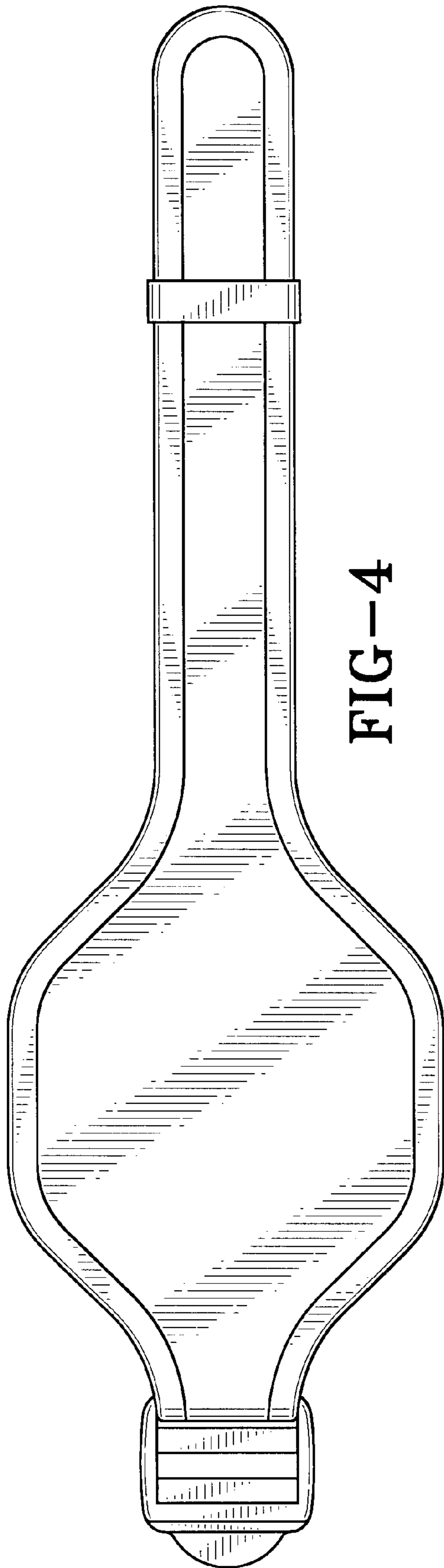


FIG-3



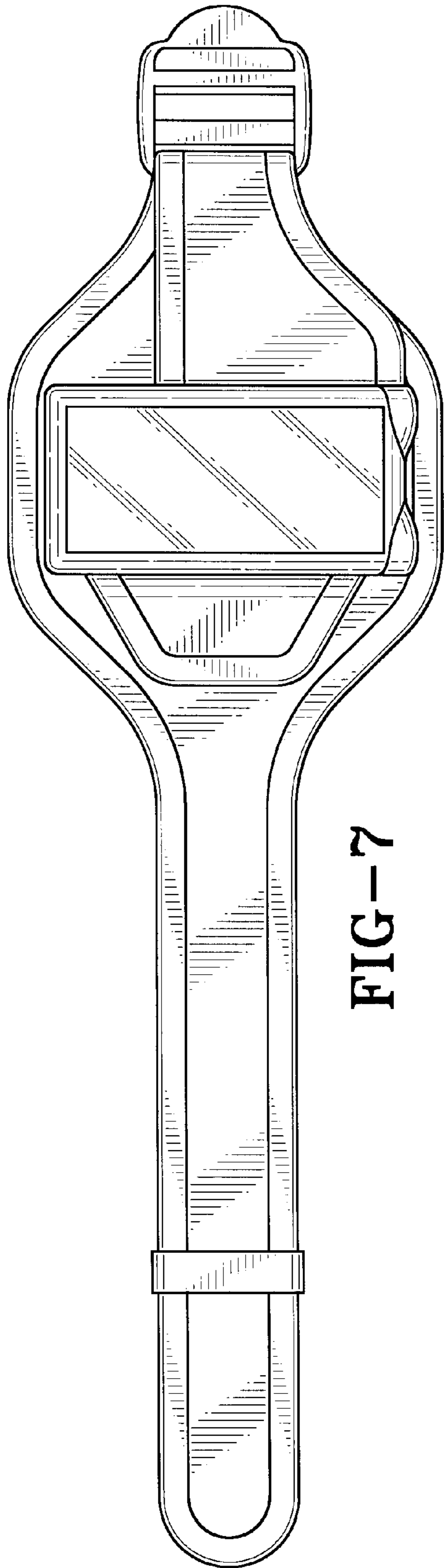


FIG-7



FIG-8

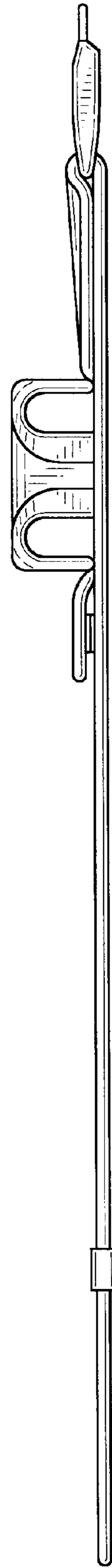


FIG-9