



US00D512833S

(12) **United States Design Patent** (10) **Patent No.:** **US D512,833 S**
Massaro, Jr. (45) **Date of Patent:** **** Dec. 20, 2005**

(54) **EYEGGLASS HOLDER**

D487,344 S * 3/2004 Sieger D3/266

(75) **Inventor:** **Frank Massaro, Jr.**, N. Redington Beach, FL (US)

* cited by examiner

(73) **Assignee:** **Cinch It, Inc.**, North Redington Beach, FL (US)

Primary Examiner—Catherine R. Oliver
(74) *Attorney, Agent, or Firm*—Larson & Larson, PA; Herbert W. Larson

(**) **Term:** **14 Years**

(57) **CLAIM**

(21) **Appl. No.:** **29/213,372**

The ornamental design for an eyeglass holder, as shown and described.

(22) **Filed:** **Sep. 15, 2004**

DESCRIPTION

(51) **LOC (6) Cl.** **03-01**

(52) **U.S. Cl.** **D3/219**

(58) **Field of Search** D3/219, 215, 265–266;
248/902, 205.3, 299.6, 231.54, 309.1, 316.7;
24/3.3, 3.11, 36

FIG. 1 is a front elevational view of an eyeglass holder showing my novel design;
FIG. 2 is a rear elevational view thereof;
FIG. 3 is a right side view thereof;
FIG. 4 is a left side view thereof;
FIG. 5 is a top plan view thereof;
FIG. 6 is a bottom plan view thereof;
FIG. 7 is a perspective view of the eyeglass holder of the present invention; and,
FIG. 8 is a front elevational view of the eyeglass holder of the present invention as shown fastened to a shirt button hole.

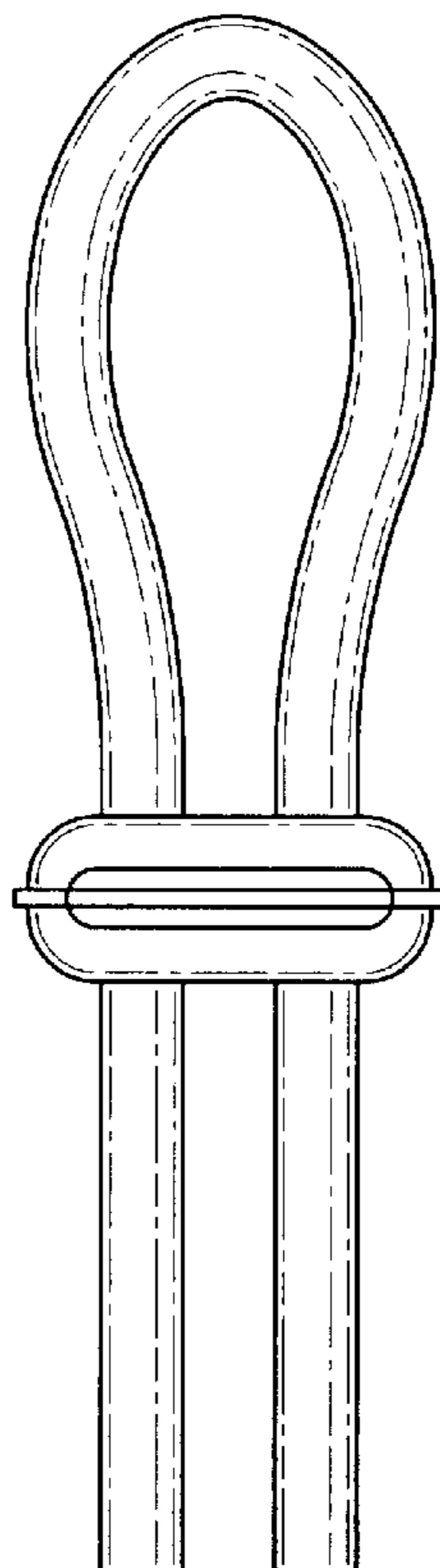
(56) **References Cited**

U.S. PATENT DOCUMENTS

- D15,172 S * 7/1884 Griswold D3/219
- D25,603 S * 6/1896 Cluelee D3/219
- 3,148,812 A * 9/1964 Hilsinger, Jr. 248/902
- D448,554 S * 10/2001 Zelman D3/219
- D465,327 S * 11/2002 Sieger D3/266
- D478,836 S * 8/2003 McCormack D3/219
- 6,691,374 B2 * 2/2004 Coyne 24/3.3

The broken lines shown in FIG. 8 are for illustrative purposes only and form no part of the claimed design.

1 Claim, 5 Drawing Sheets



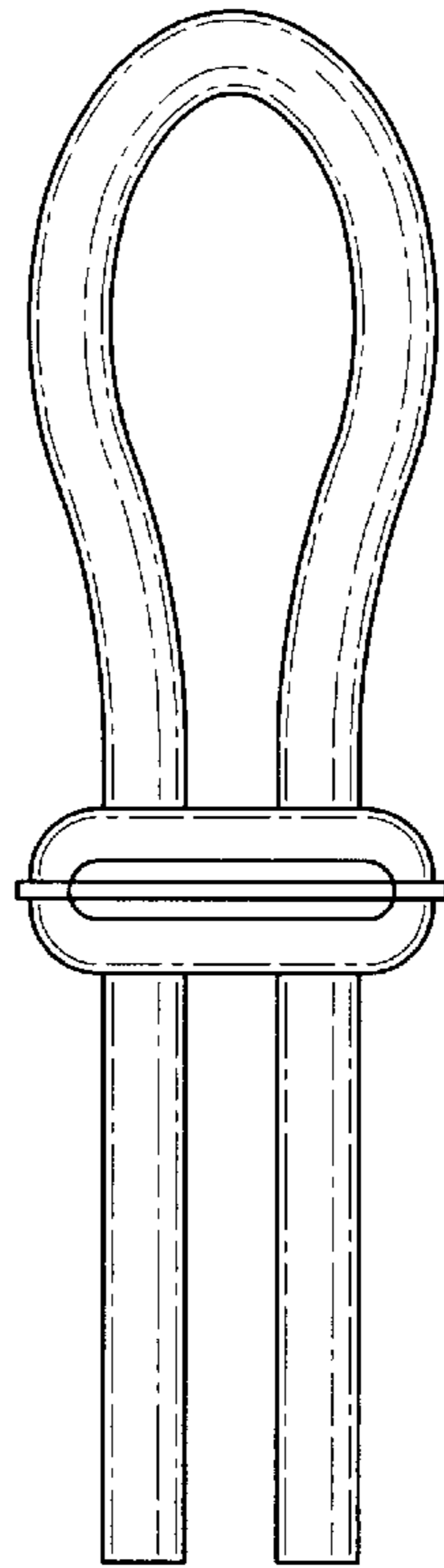


FIG. 1

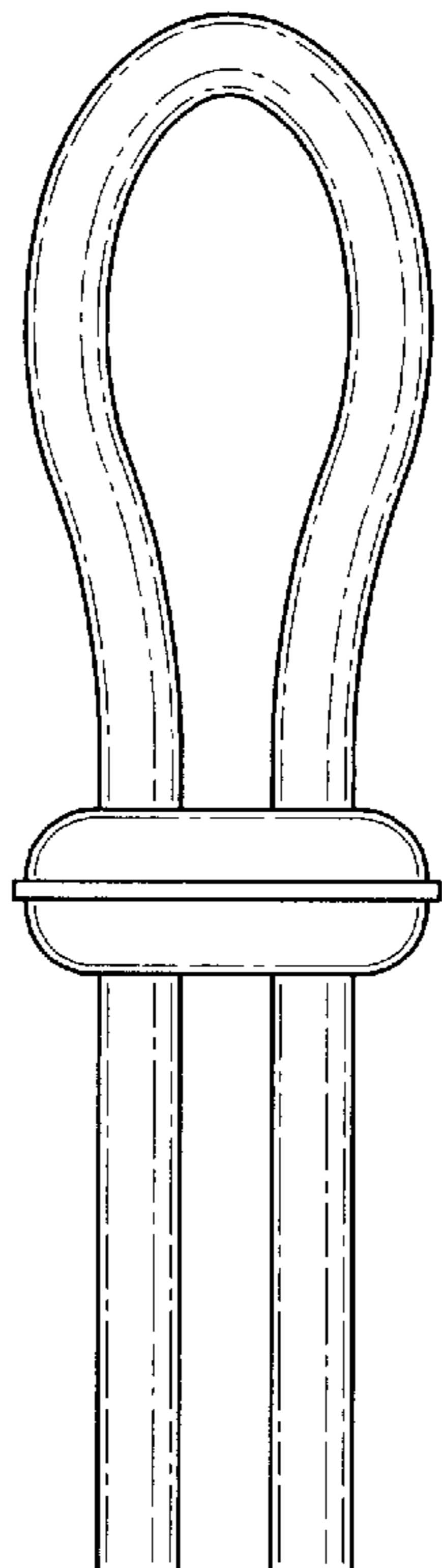


FIG. 2

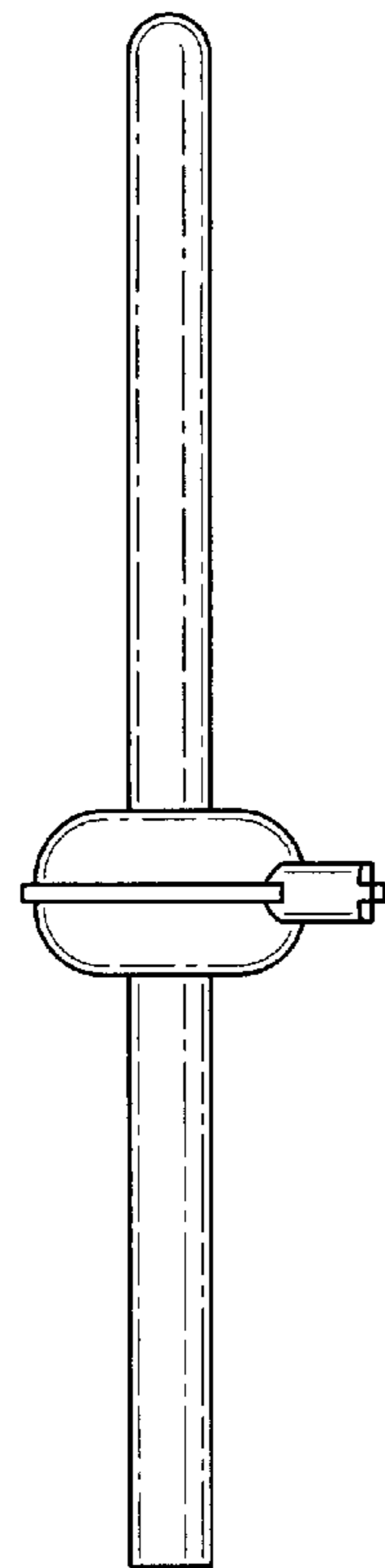


FIG. 3

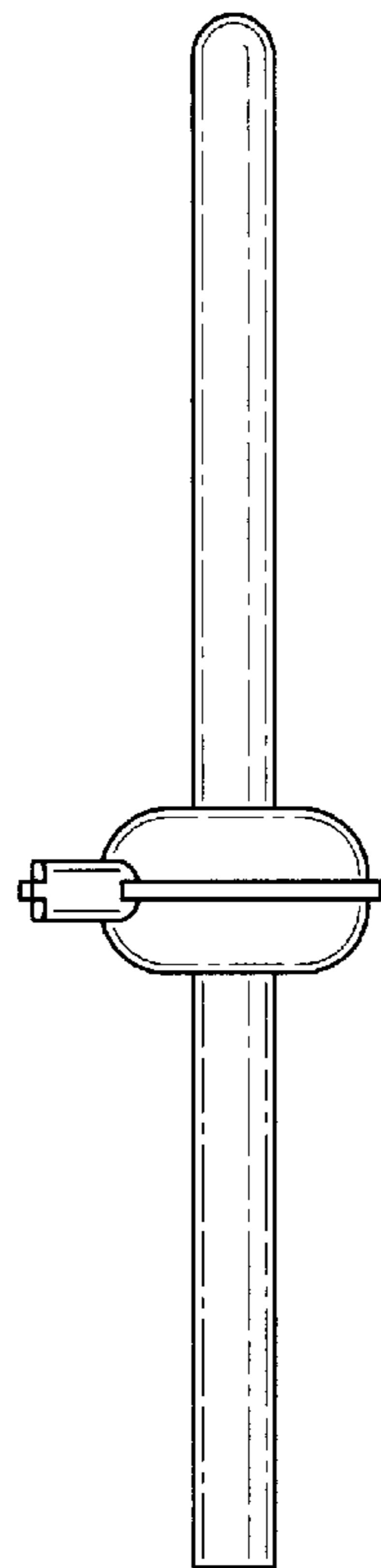


FIG. 4

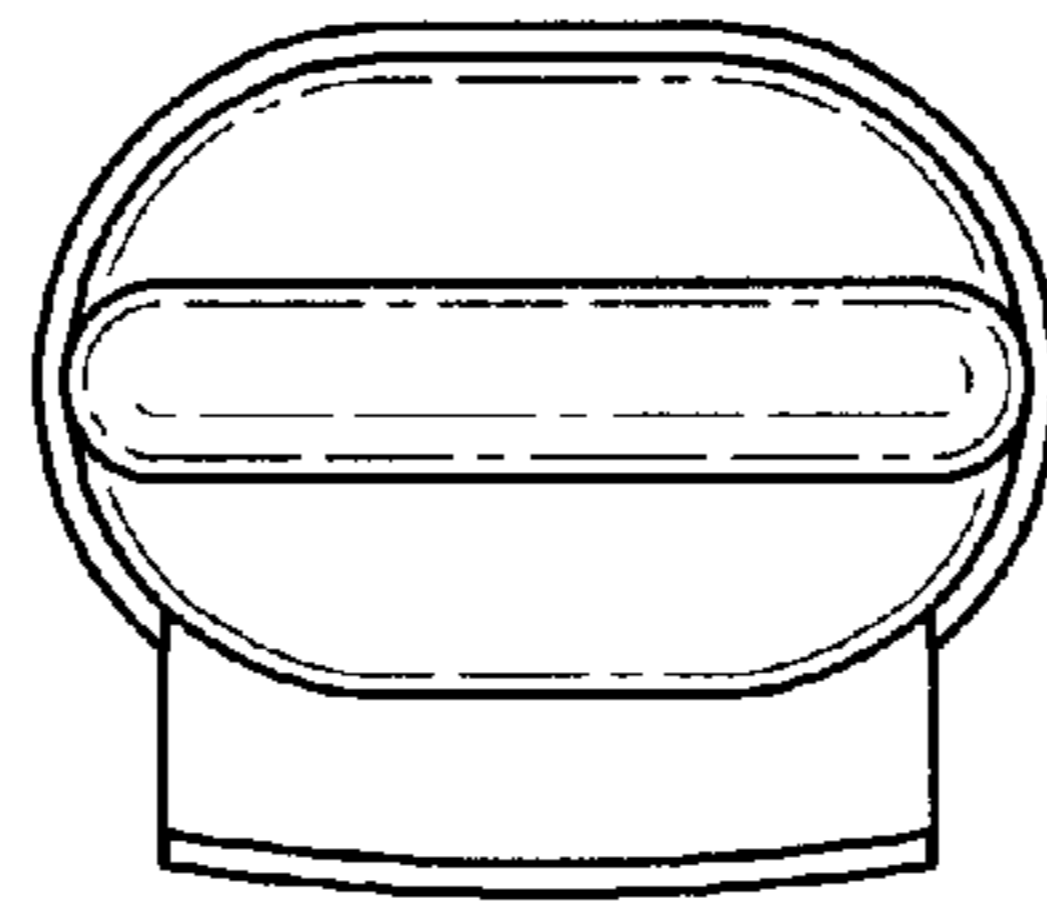


FIG. 5

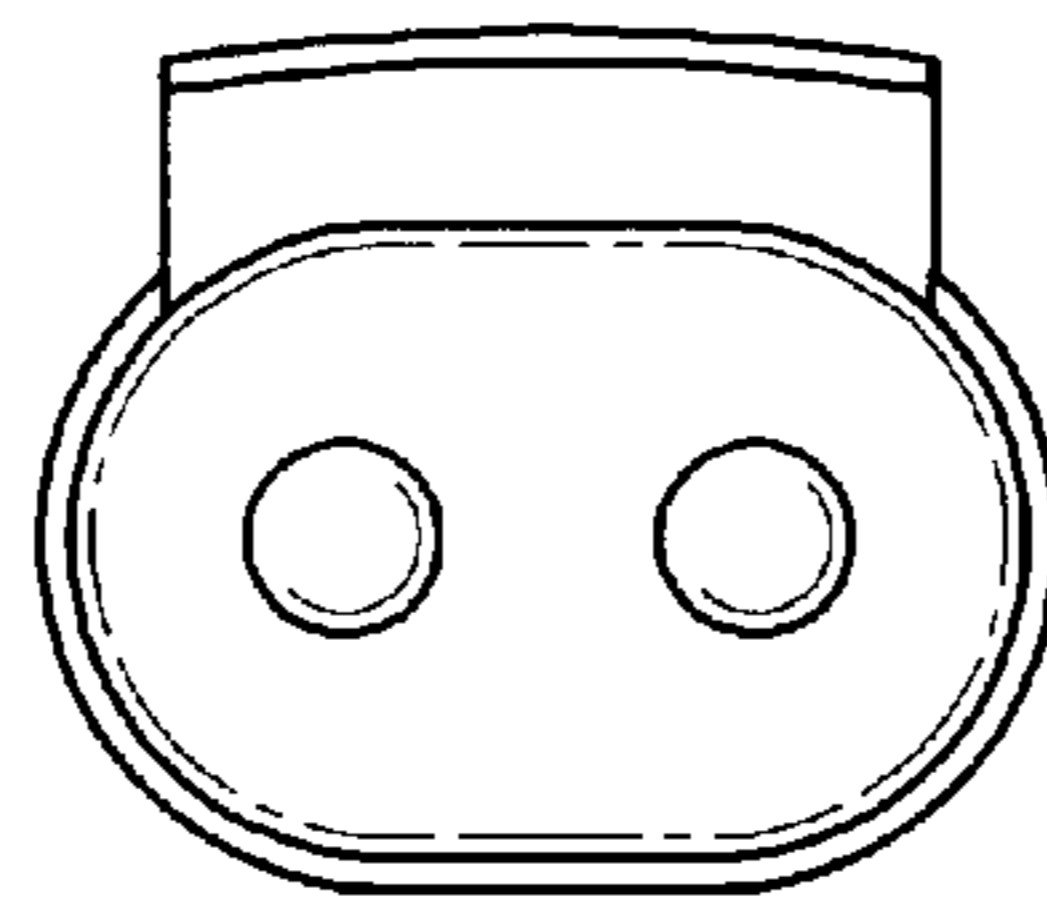


FIG. 6

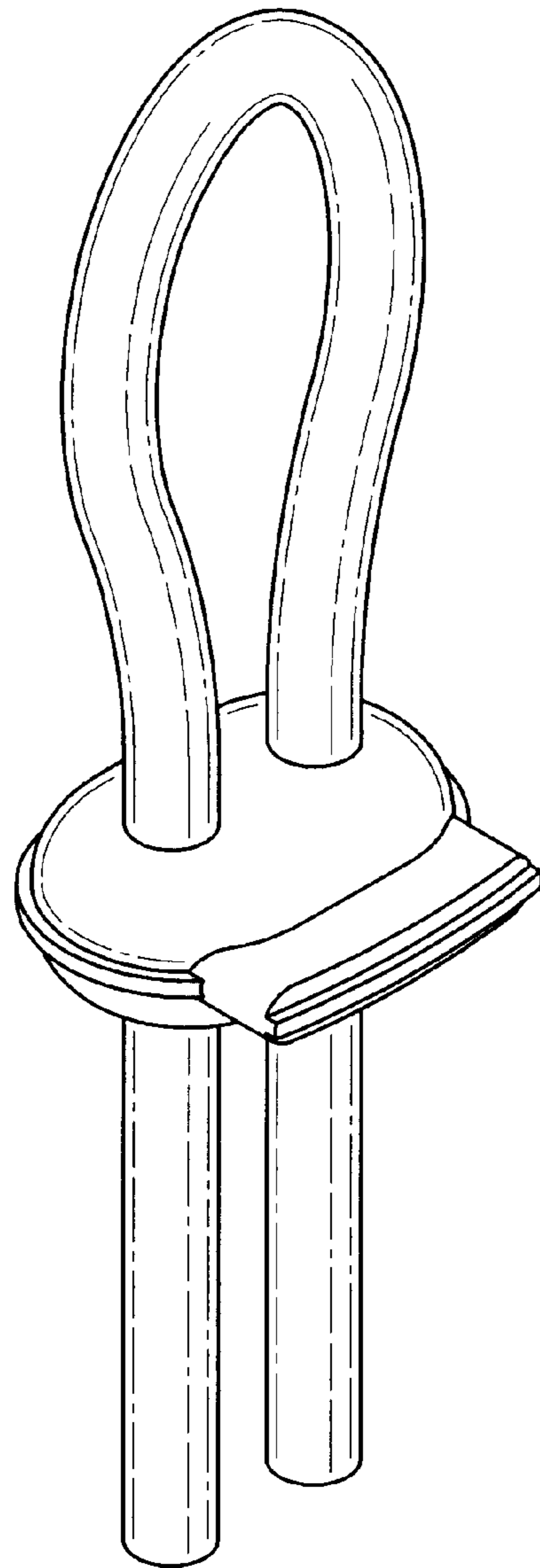


FIG. 7

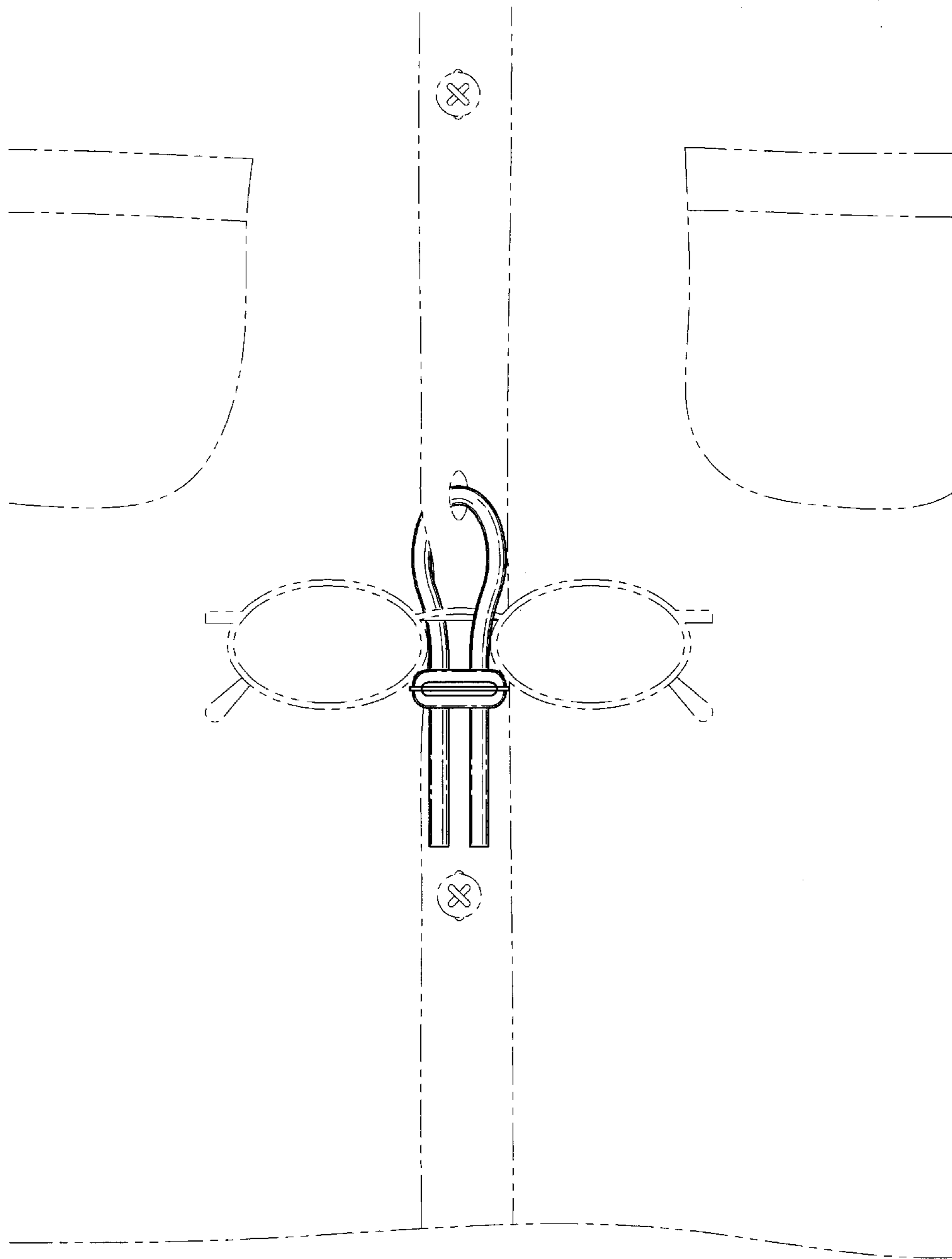


FIG. 8