

US00D512830S

(12) **United States Design Patent**
Higgins

(10) **Patent No.:** **US D512,830 S**

(45) **Date of Patent:** **** Dec. 20, 2005**

(54) **PORTABLE MEDICATION CONTAINER
HAVING SLIDING TIME REMINDER WITH
MAGNIFIER**

(76) Inventor: **Anthony Higgins**, 39 Victoria Rd.,
Newport, Isle of Wight (GB)

(**) Term: **14 Years**

(21) Appl. No.: **29/213,105**

(22) Filed: **Sep. 13, 2004**

(51) **LOC (6) Cl.** **03-01**

(52) **U.S. Cl.** **D3/203.1**

(58) **Field of Search** D3/203.1, 203.2,
D3/203.3, 203.4; 116/308; 368/10; 220/553,
555, 533; 206/534, 438, 570-572

(56) **References Cited**

U.S. PATENT DOCUMENTS

3,446,179 A	5/1969	Bender	116/308
4,293,845 A	10/1981	Villa-Real	340/309.3
4,361,408 A	11/1982	Wirtschafter	368/10
4,483,626 A	11/1984	Noble	368/10
4,913,083 A	4/1990	Valvo et al.	116/308
4,920,912 A	5/1990	Kirkling	116/308
D447,621 S	* 9/2001	Lehn	D3/203.1
D460,254 S	* 7/2002	Rufo	D3/203.3

D484,304 S * 12/2003 Sanderson D3/203.1

* cited by examiner

Primary Examiner—Catherine R. Oliver

(74) *Attorney, Agent, or Firm*—Donald R. Schoonover

(57) **CLAIM**

I claim the ornamental design for a portable medication container having sliding time reminder with magnifier, as shown and described.

DESCRIPTION

FIG. 1 is a perspective view of a portable medication container having sliding time reminder with magnifier showing my new design;

FIG. 2 is a top plan view thereof;

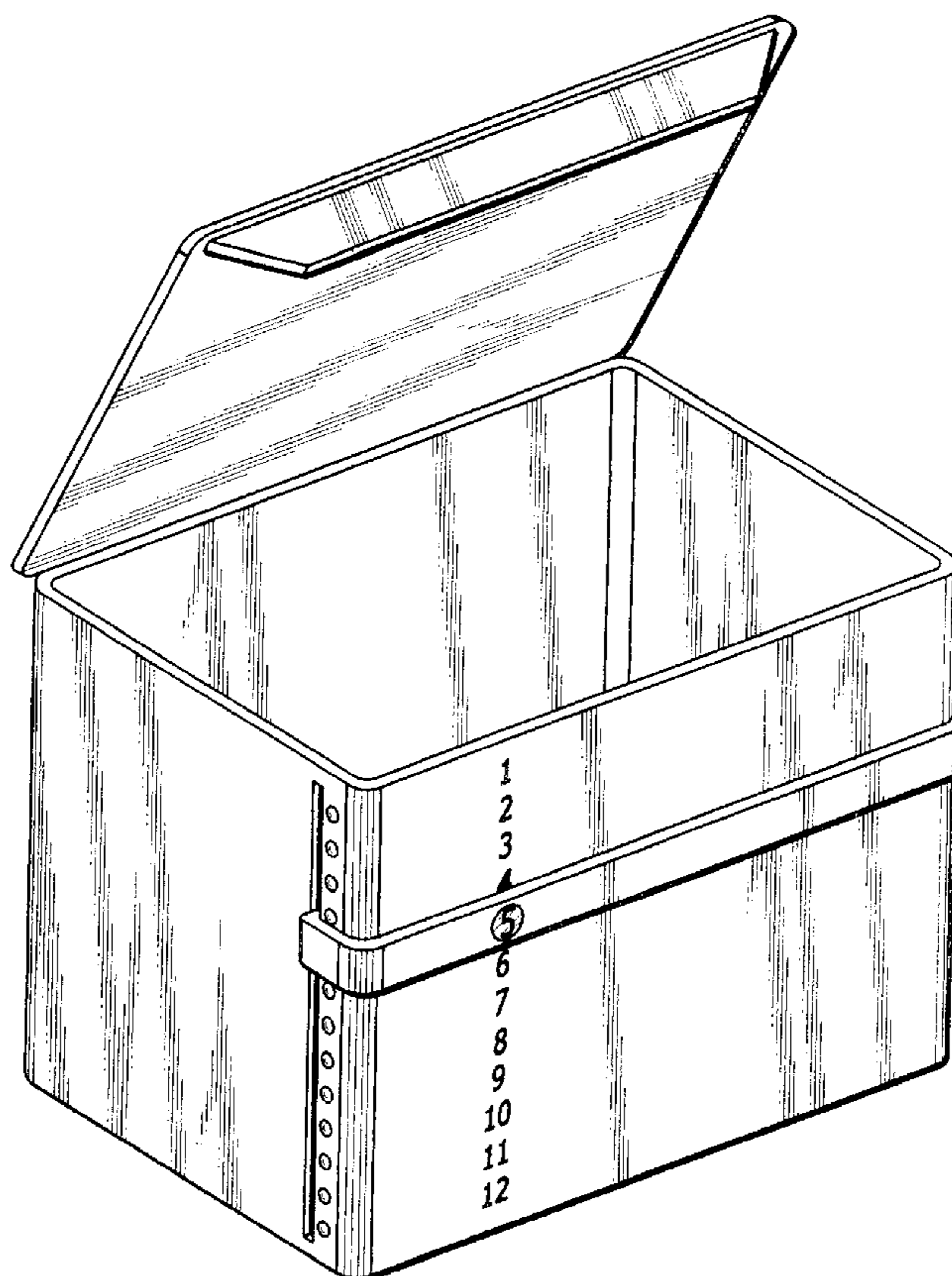
FIG. 3 is a front elevational view thereof;

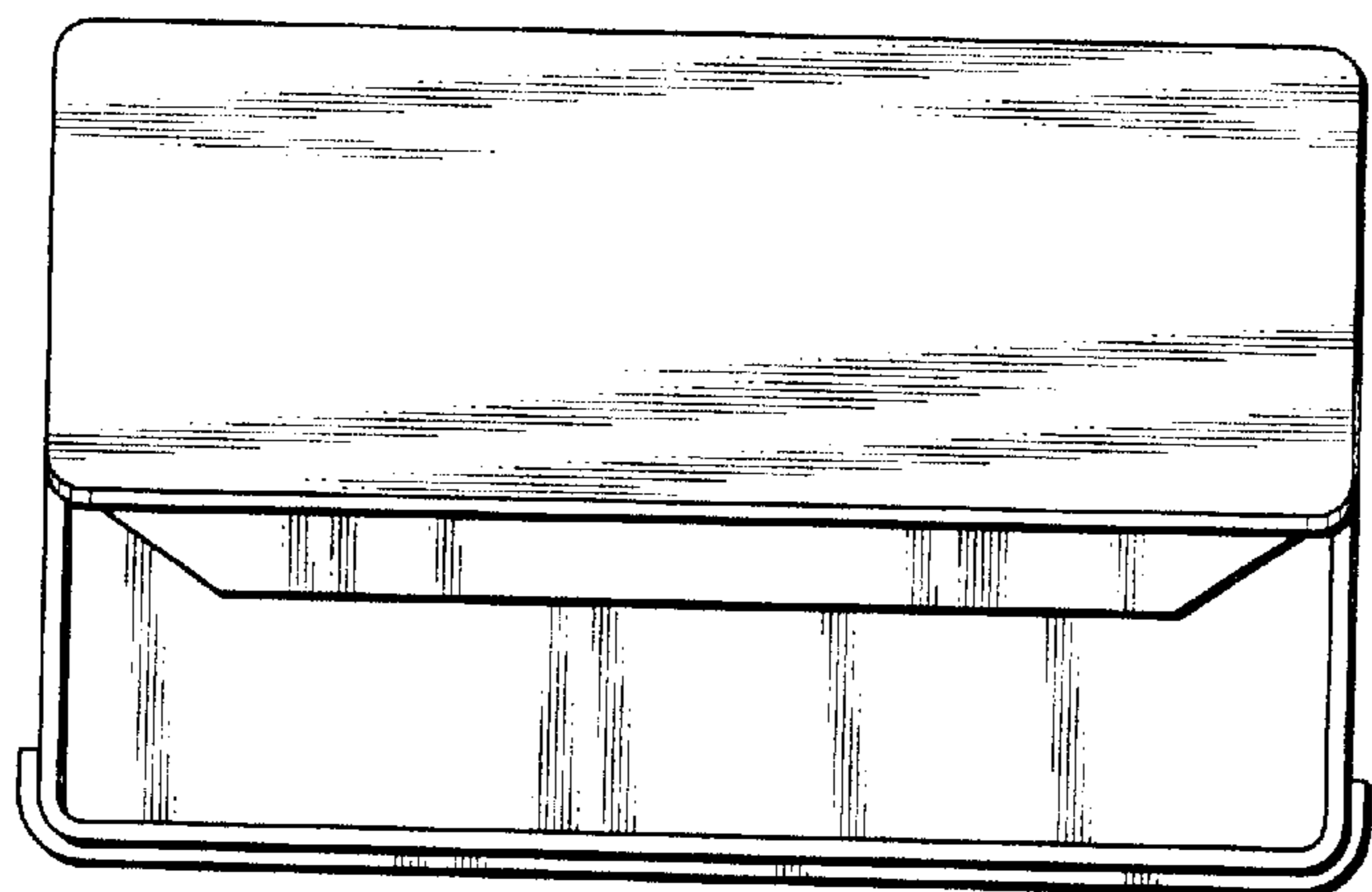
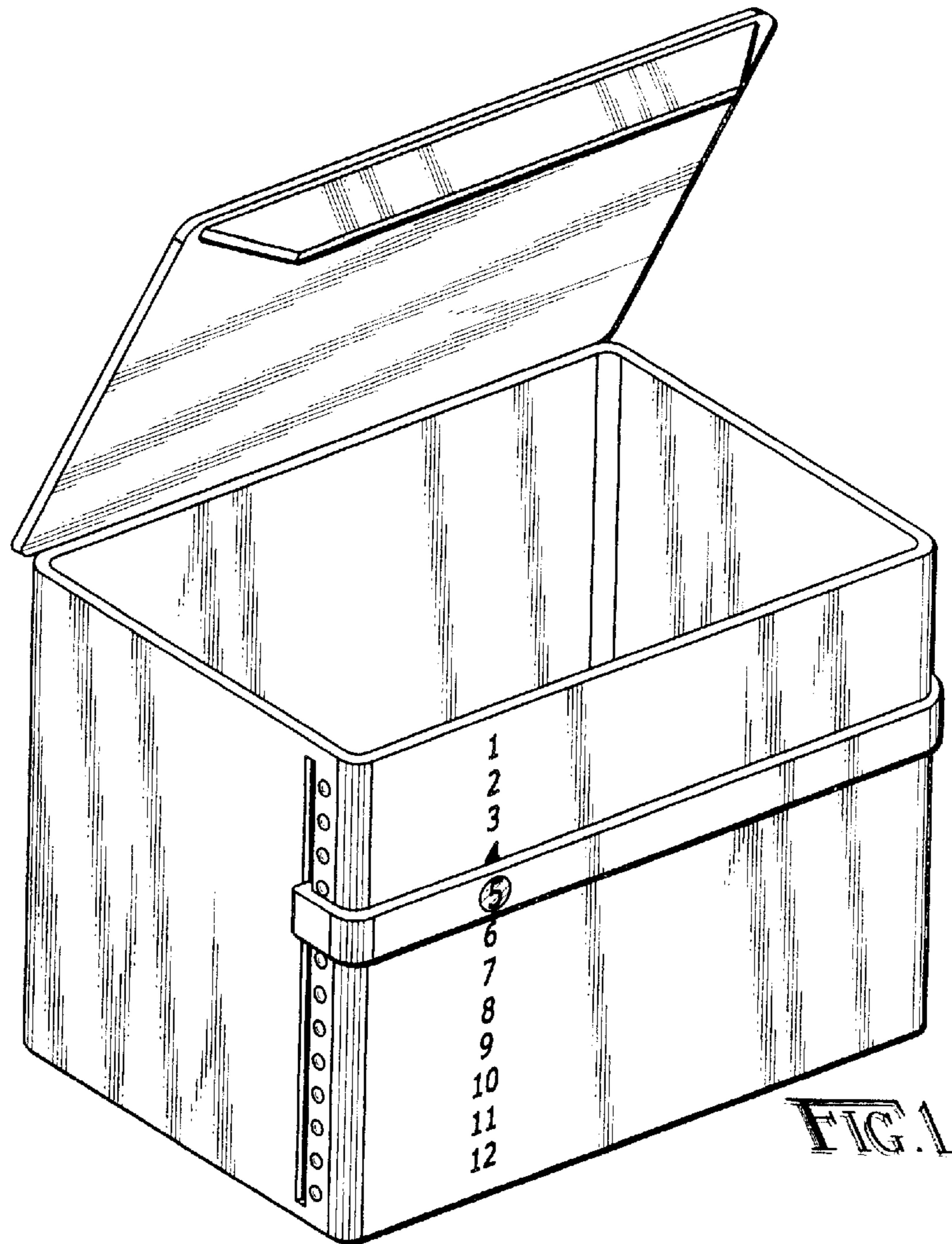
FIG. 4 is a left side elevational view thereof, the right side elevational view being a mirror image thereof;

FIG. 5 is a rear elevational view thereof; and,

FIG. 6 is a perspective view showing the portable medication container having sliding time reminder with magnifier in use; the broken lines depict environmental structure for illustrative purposes only and form no part of the claimed design.

1 Claim, 4 Drawing Sheets





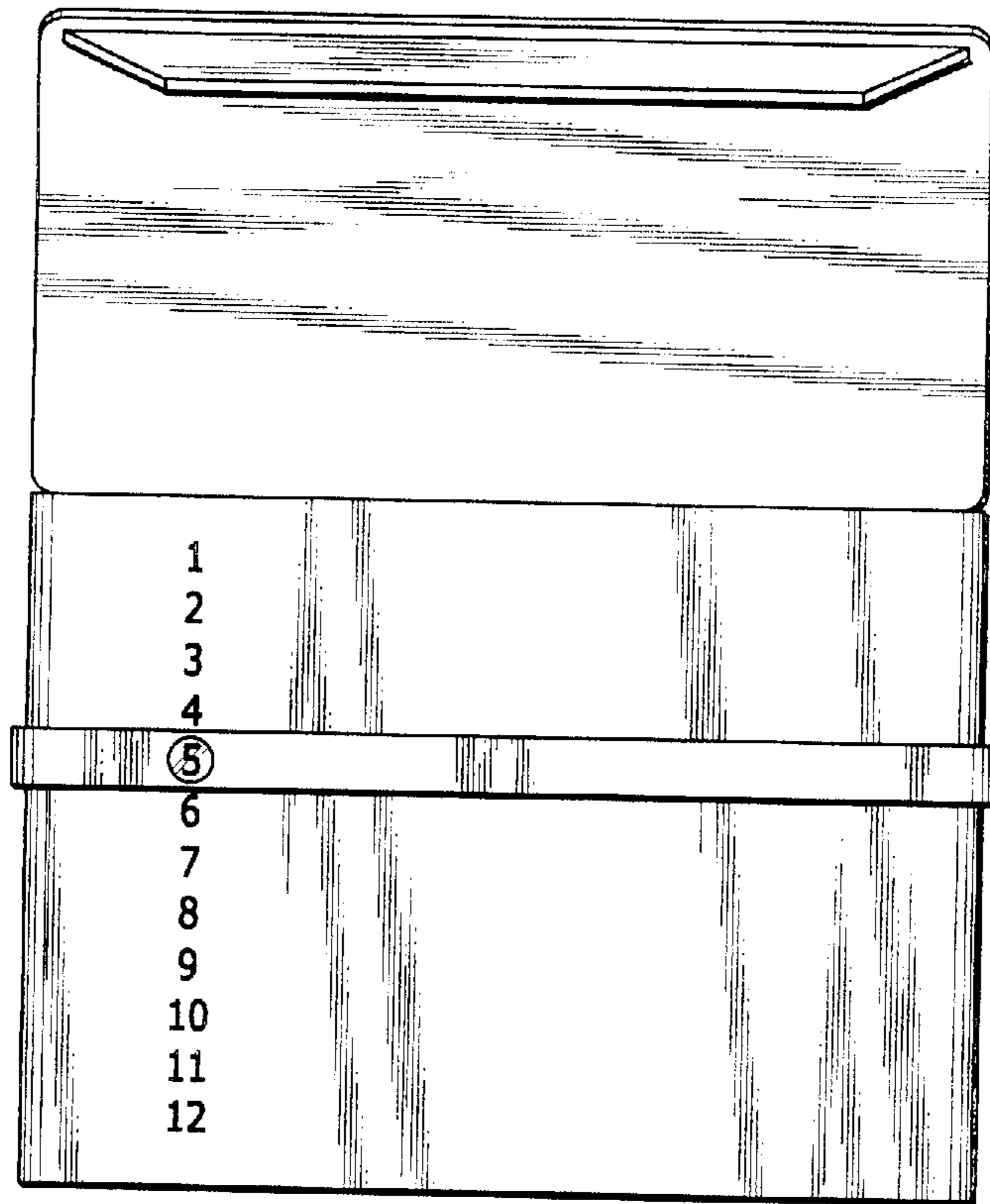


FIG. 3

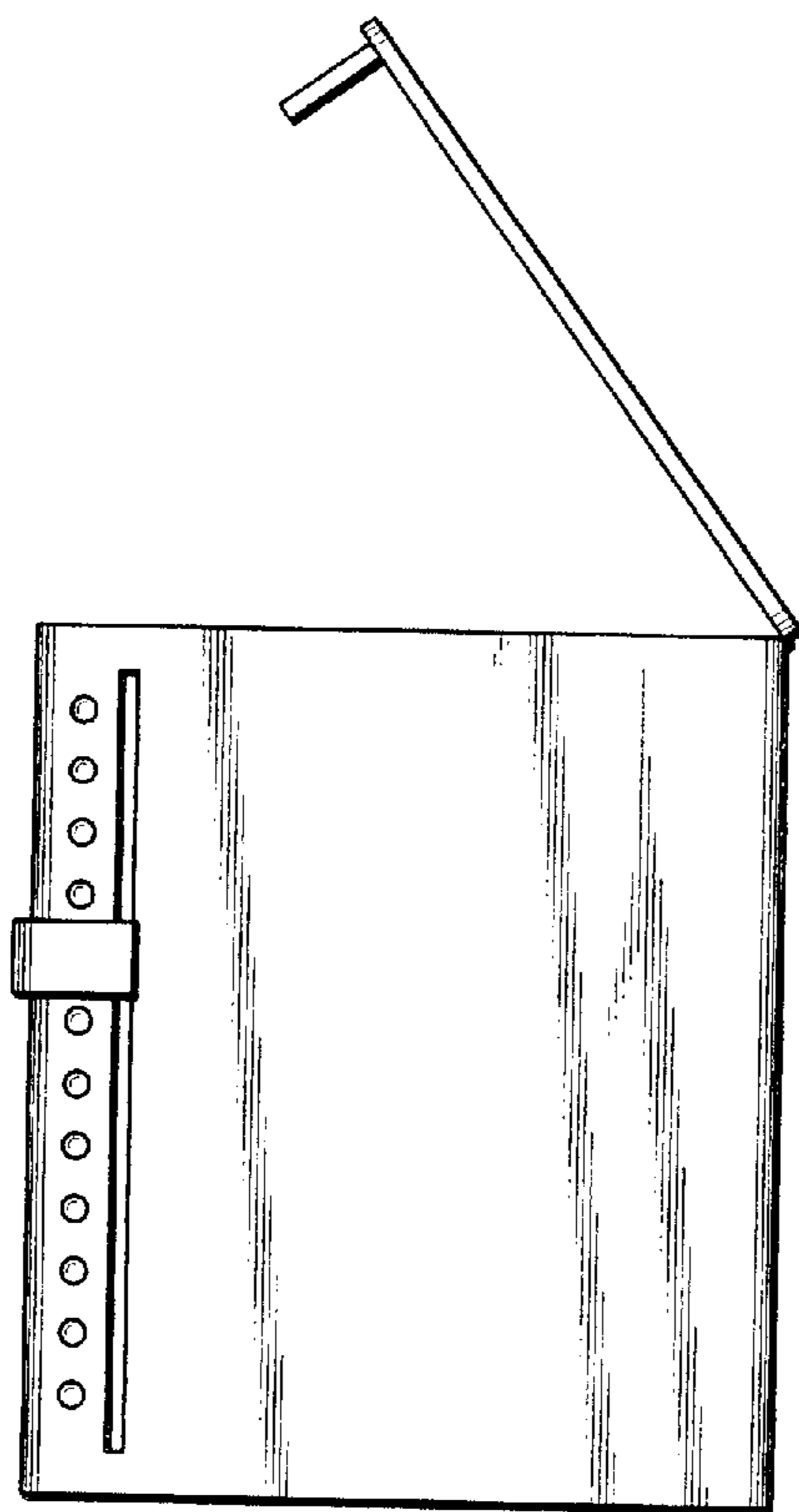


FIG. 4

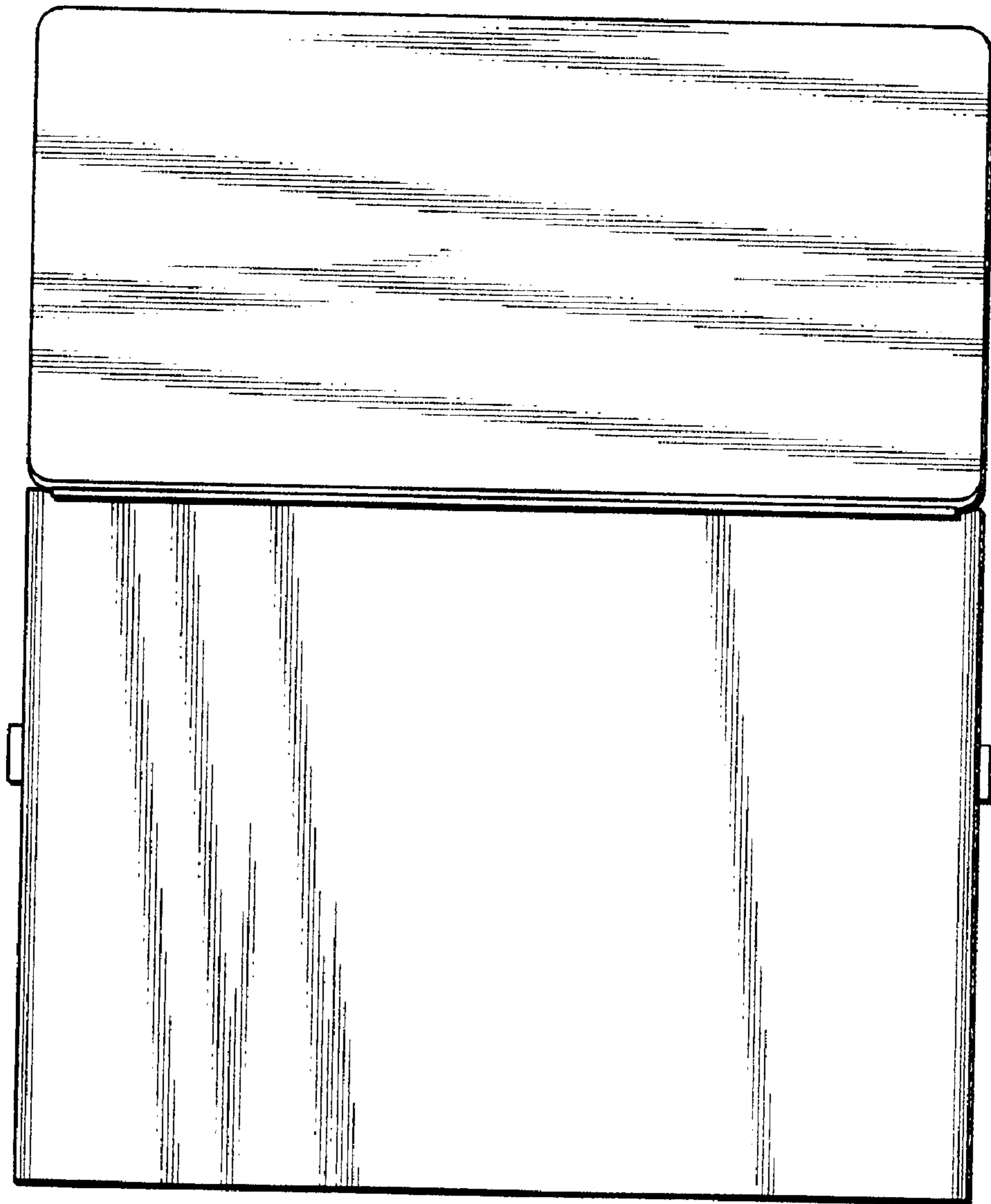


FIG. 5

