



US00D512803S

(12) **United States Design Patent**
Kendrick

(10) **Patent No.:** **US D512,803 S**
(45) **Date of Patent:** **** Dec. 13, 2005**

(54) **VACUUM CLEANER**

(75) **Inventor:** **Doris Kendrick**, 3714 Salem Springs Ct., Lithonia, GA (US) 30038

(73) **Assignee:** **Doris Kendrick**, Lithonia, GA (US)

(**) **Term:** **14 Years**

(21) **Appl. No.:** **29/215,811**

(22) **Filed:** **Oct. 26, 2004**

(51) **LOC (6) Cl.** **15-05**

(52) **U.S. Cl.** **D32/18**

(58) **Field of Search** D32/17-18, 21, D32/31, 1; 15/344, 328-329, 352, 312.1, 1.7, 320-321, 323, DIG. 1

(56) **References Cited**

U.S. PATENT DOCUMENTS

1,997,754 A	4/1935	Sharp	
2,890,264 A	6/1959	Duff	
3,310,828 A	3/1967	Clark	
D212,829 S	* 11/1968	Kraines D32/18
D214,339 S	* 6/1969	Fosella D32/18
4,570,286 A	* 2/1986	Ross 15/327.5
4,633,543 A	1/1987	Sovis et al.	
D302,758 S	* 8/1989	Lauer D32/18
4,939,810 A	* 7/1990	Ataka 15/347

4,993,108 A	2/1991	Genge et al.	
5,379,483 A	1/1995	Pino	
D368,342 S	* 3/1996	Founds D32/18
D371,651 S	* 7/1996	Bass et al. D32/18
D379,691 S	* 6/1997	Moine et al. D32/18
5,970,572 A	10/1999	Thomas	
6,122,796 A	9/2000	Downham et al.	
D480,846 S	* 10/2003	Ki D32/18
2002/0189047 A1	* 12/2002	Nakabayashi 15/344
2004/0194248 A1	* 10/2004	Holtz 15/344

* cited by examiner

Primary Examiner—Ruth McInroy

(57) **CLAIM**

I claim the ornamental design for a vacuum cleaner, as shown and described.

DESCRIPTION

FIG. 1 is a perspective view of a vacuum cleaner showing my new design;
FIG. 2 is a top view thereof;
FIG. 3 is a bottom view thereof;
FIG. 4 is a left side view thereof;
FIG. 5 is a right side view thereof;
FIG. 6 is a reduced back view thereof; and,
FIG. 7 is a reduced front view thereof.

1 Claim, 6 Drawing Sheets

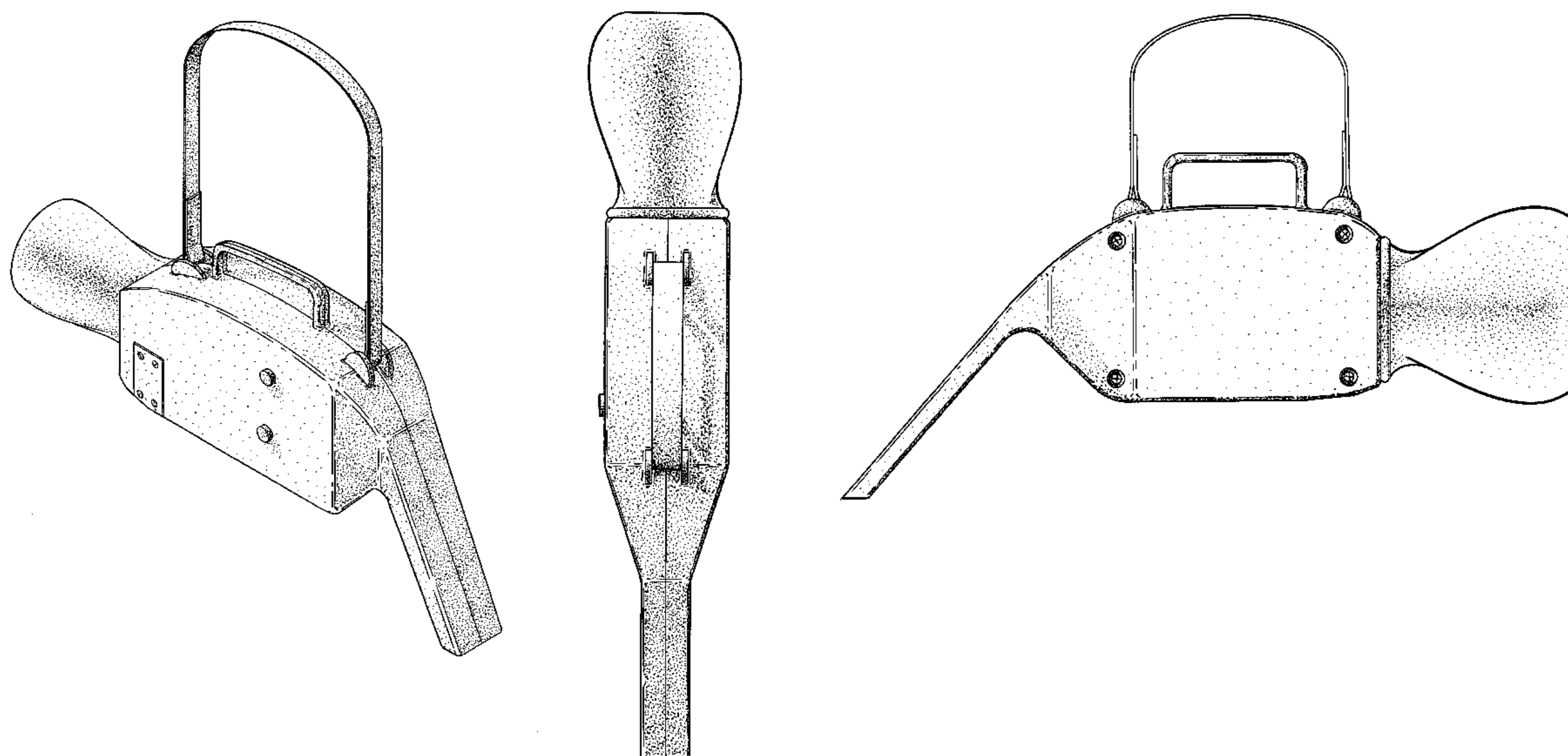


FIG -1

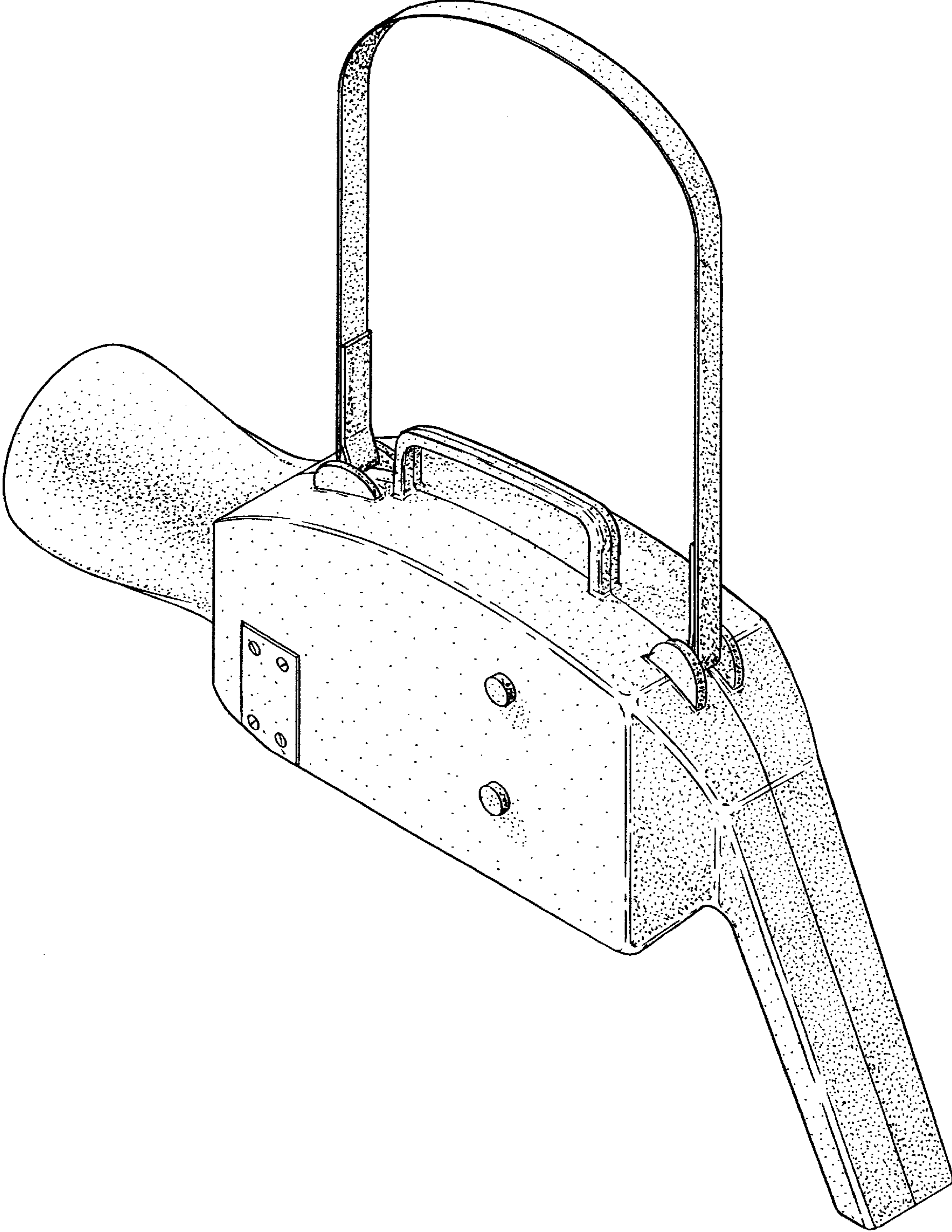


FIG - 2

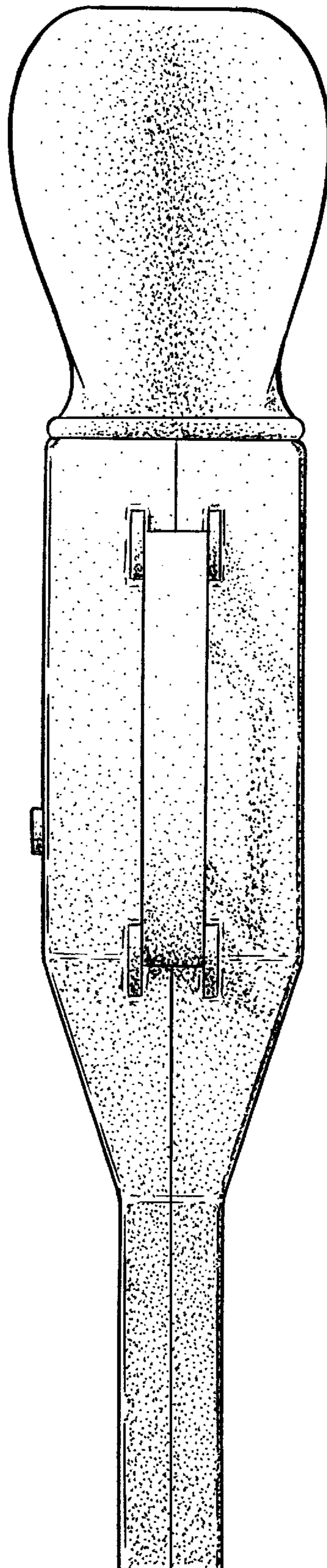
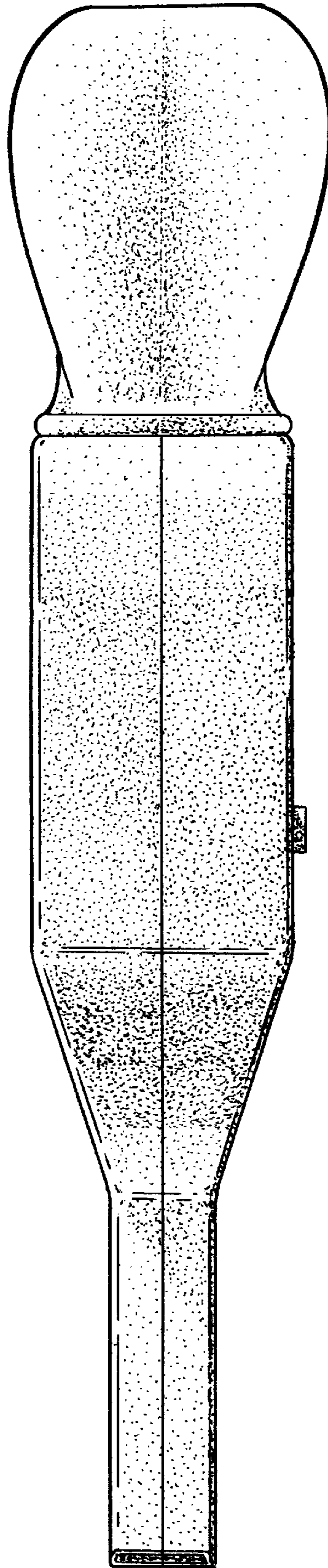


FIG - 3



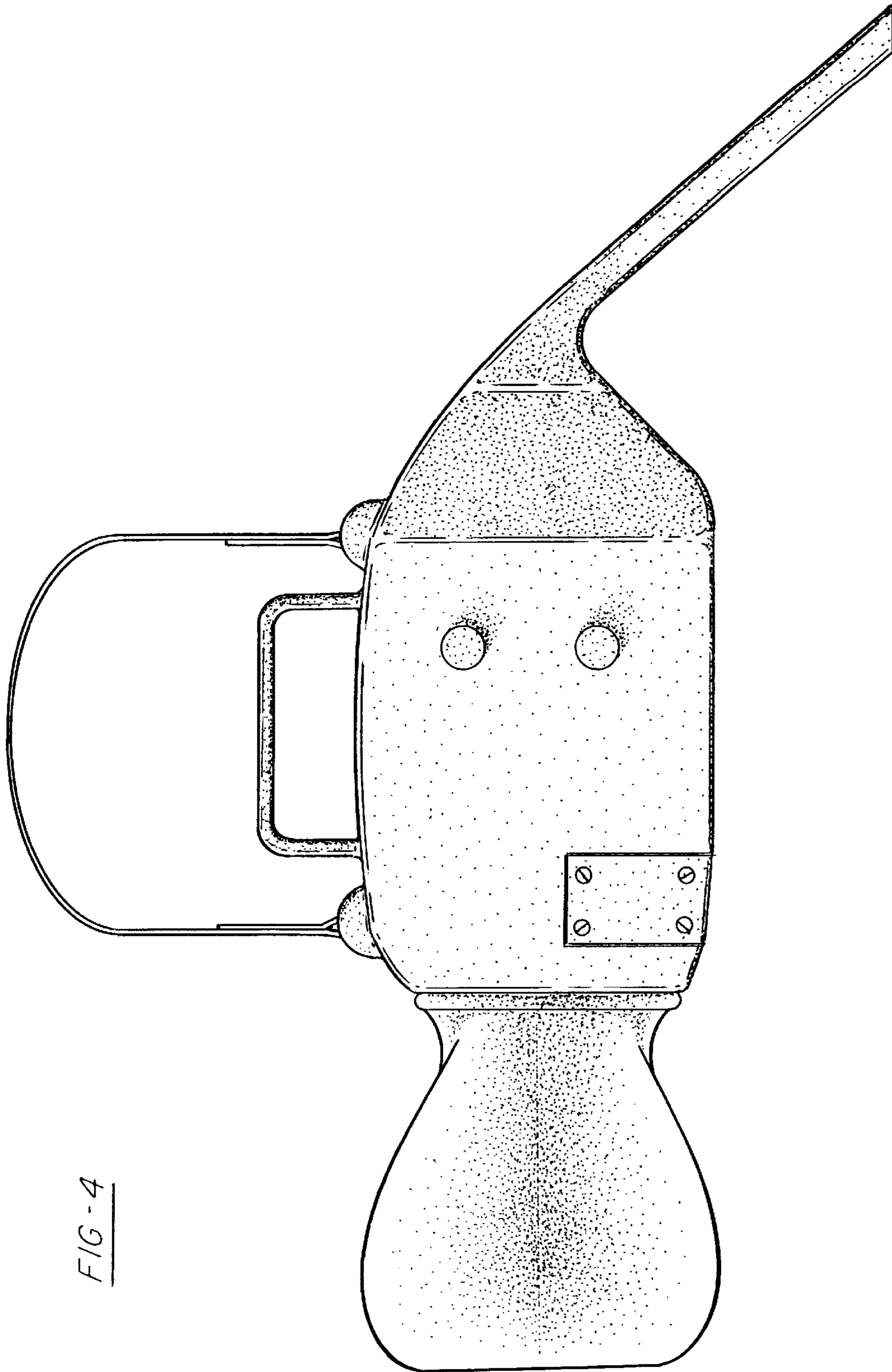


FIG - 4

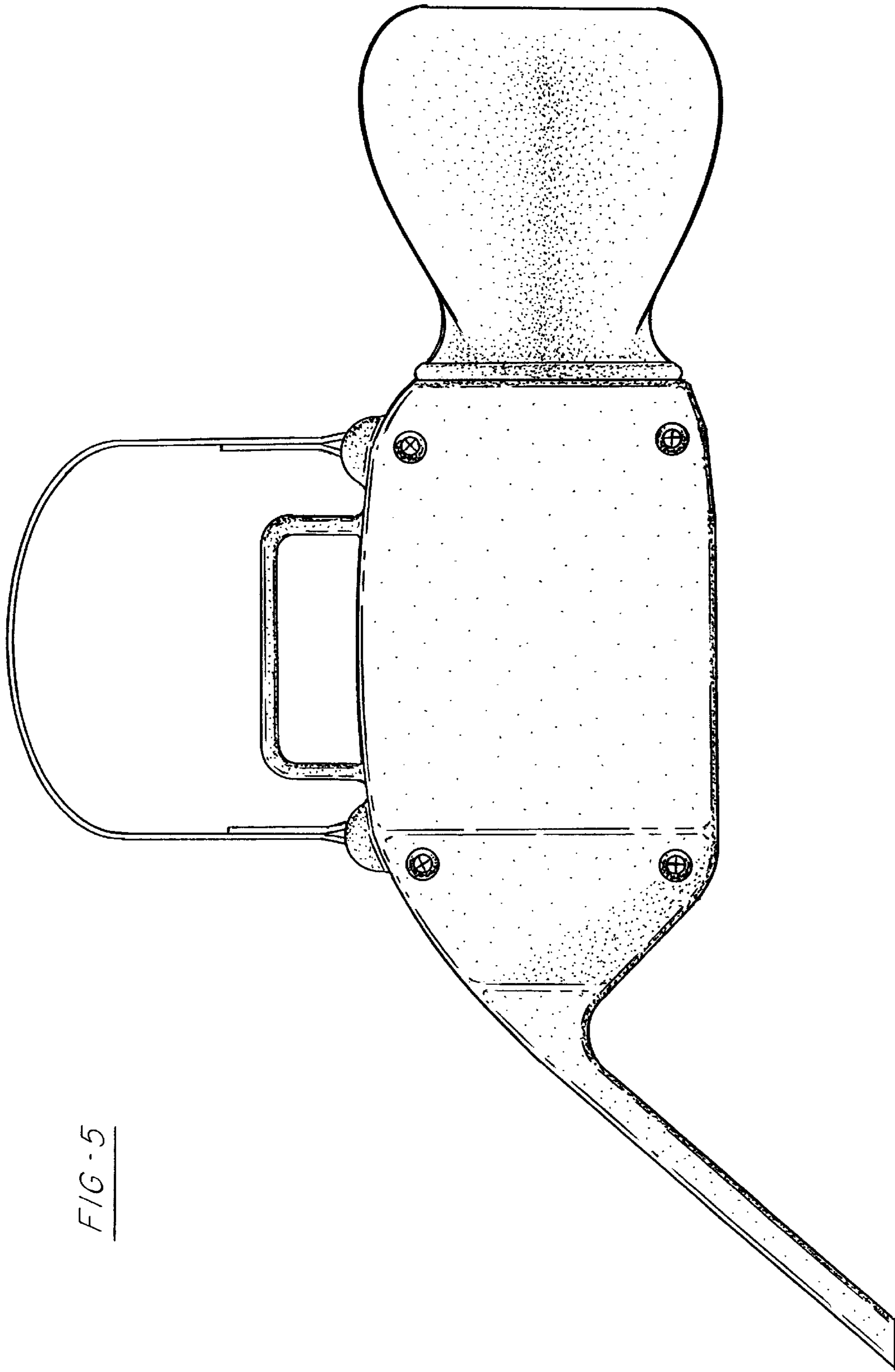


FIG - 5

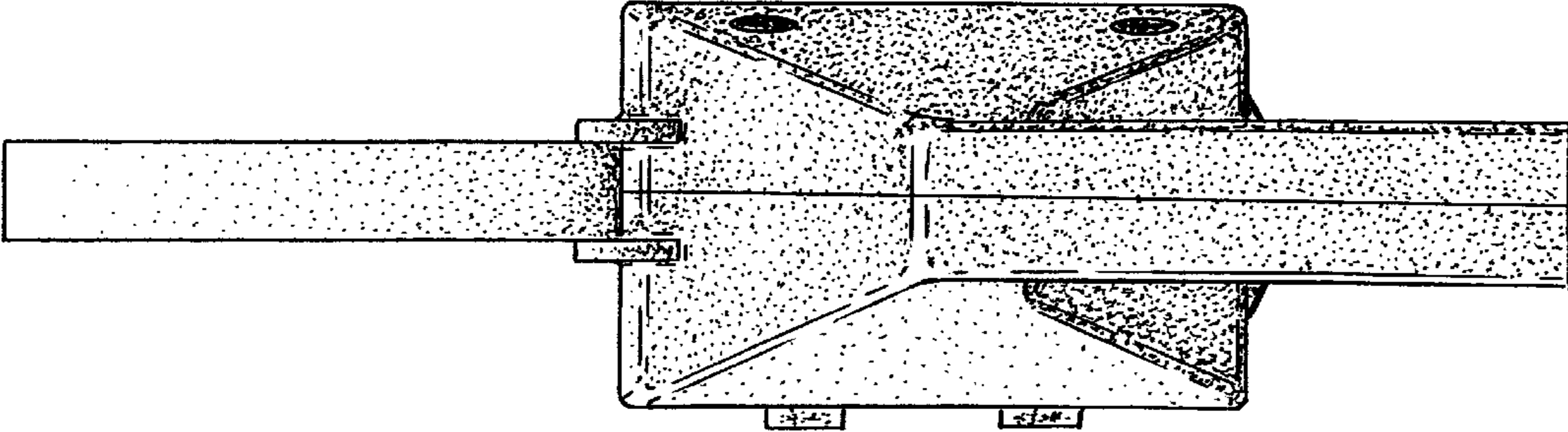


FIG - 7

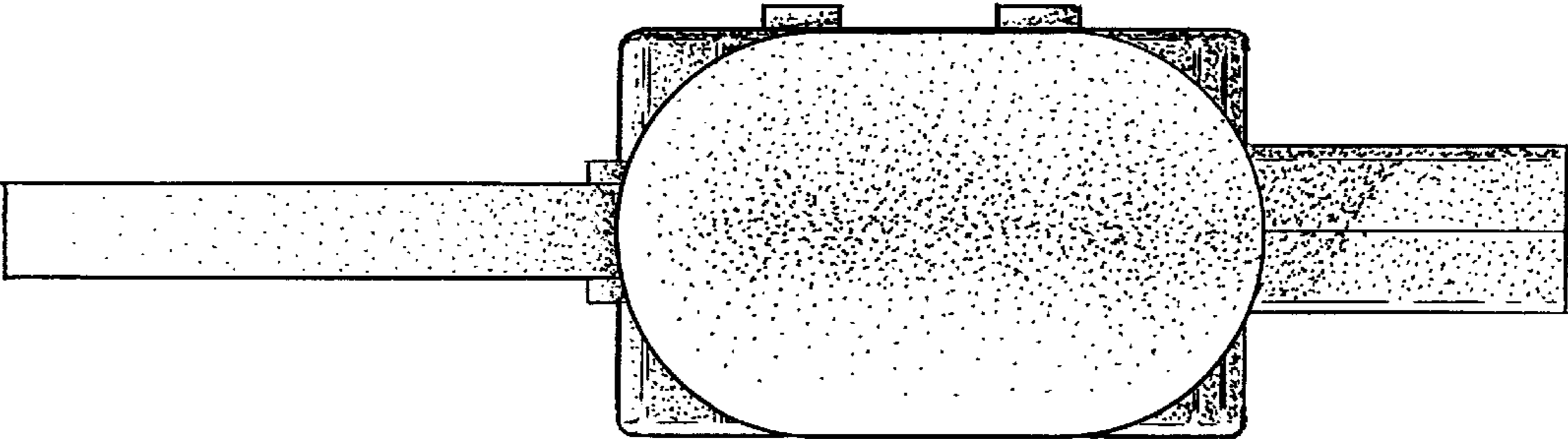


FIG - 6