



US00D512800S

(12) **United States Design Patent**
Jung et al.

(10) **Patent No.:** **US D512,800 S**
(45) **Date of Patent:** **** Dec. 13, 2005**

(54) **BIRDFEEDER**

D274,563 S * 7/1984 Blasbalg D30/128

(75) Inventors: **Richard K. Jung**, Laguna Niguel, CA (US); **Joie L. Puckett**, Long Beach, CA (US)

* cited by examiner

Primary Examiner—Alan P. Douglas
Assistant Examiner—Susan Moon Lee

(73) Assignee: **Perky-Pet Products Company, Inc.**, Denver, CO (US)

(74) *Attorney, Agent, or Firm*—Timothy J. Martin; Michael R. Henson; Rebecca A. Gegick

(**) Term: **14 Years**

(57) **CLAIM**

The ornamental design for a birdfeeder, as shown.

(21) Appl. No.: **29/210,628**

DESCRIPTION

(22) Filed: **Aug. 2, 2004**

FIG. 1 is a perspective view of a birdfeeder showing our new design;

(51) **LOC (6) Cl.** **30-03**

FIG. 2 is a front elevational view thereof;

(52) **U.S. Cl.** **D30/128**

FIG. 3 is a top plan view thereof;

(58) **Field of Search** D30/121, 124-128, D30/133; 119/51.01, 52.2-52.4, 57.8-57.9

FIG. 4 is a rear elevational view thereof;

FIG. 5 is a side elevational view thereof; and,

FIG. 6 is a bottom plan view thereof.

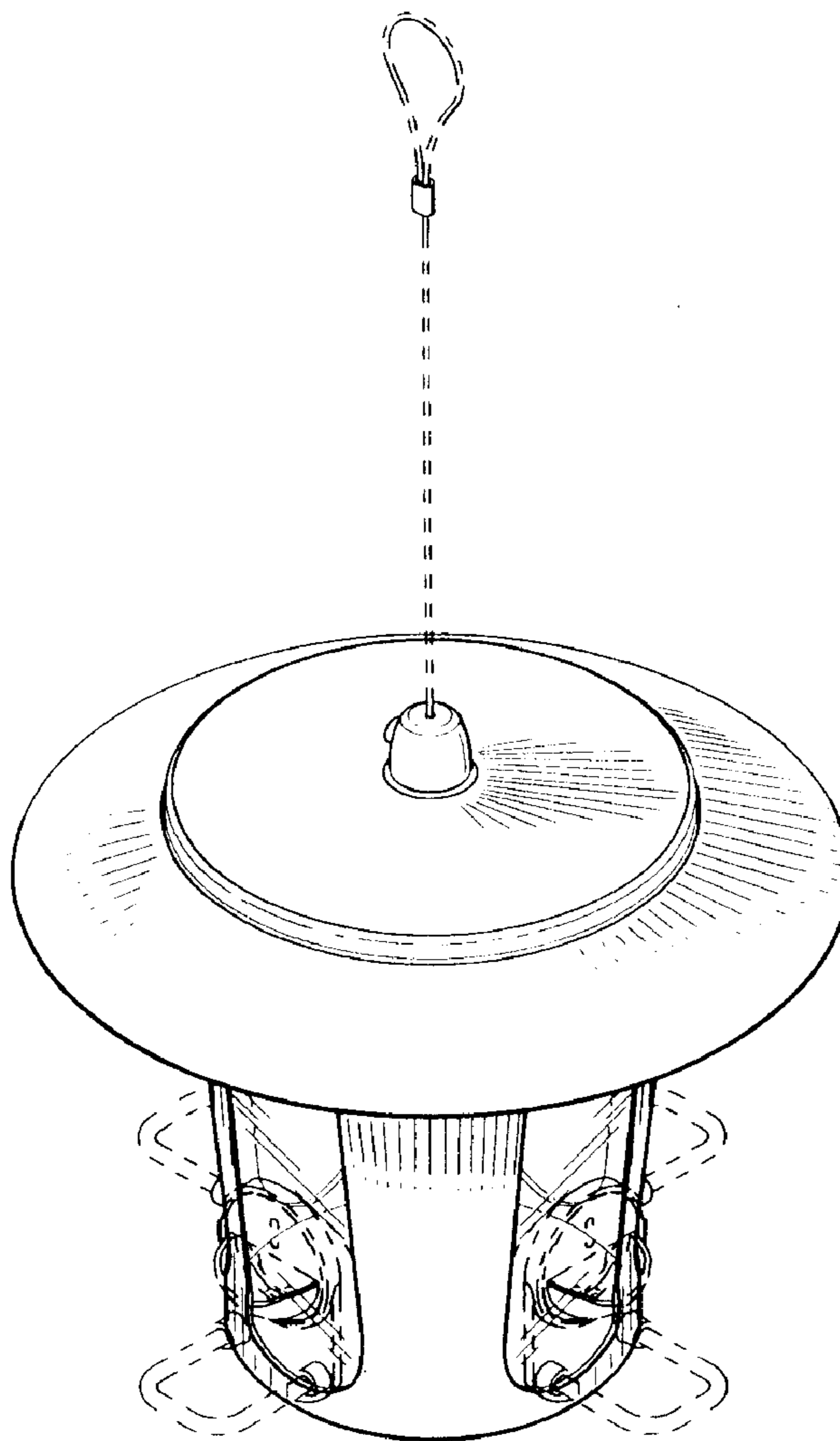
The broken lines are for purposes of illustration only and form no part of the claimed design.

(56) **References Cited**

U.S. PATENT DOCUMENTS

D245,349 S * 8/1977 Fisher, Jr. D30/128

1 Claim, 2 Drawing Sheets



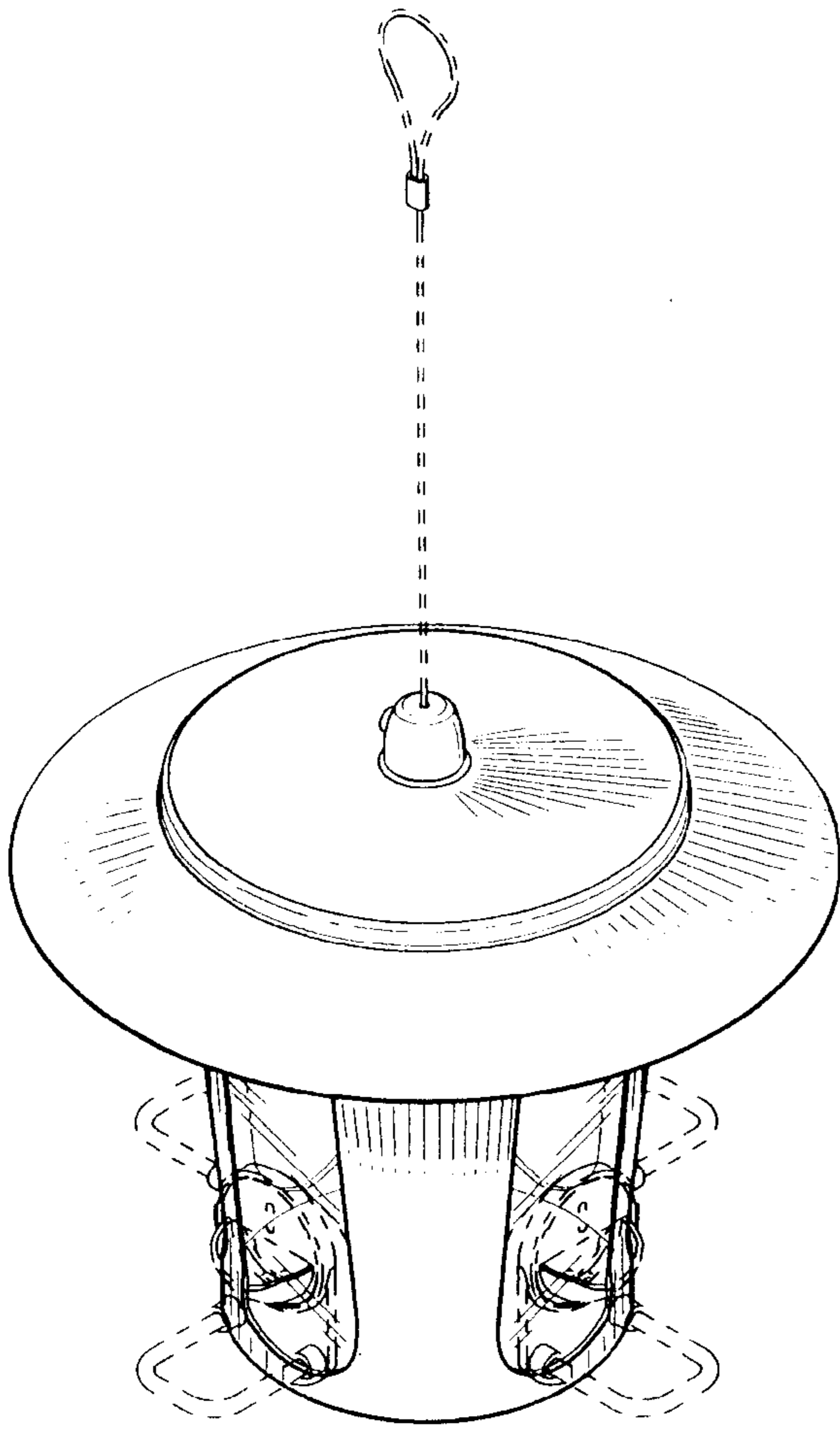


Fig. 1

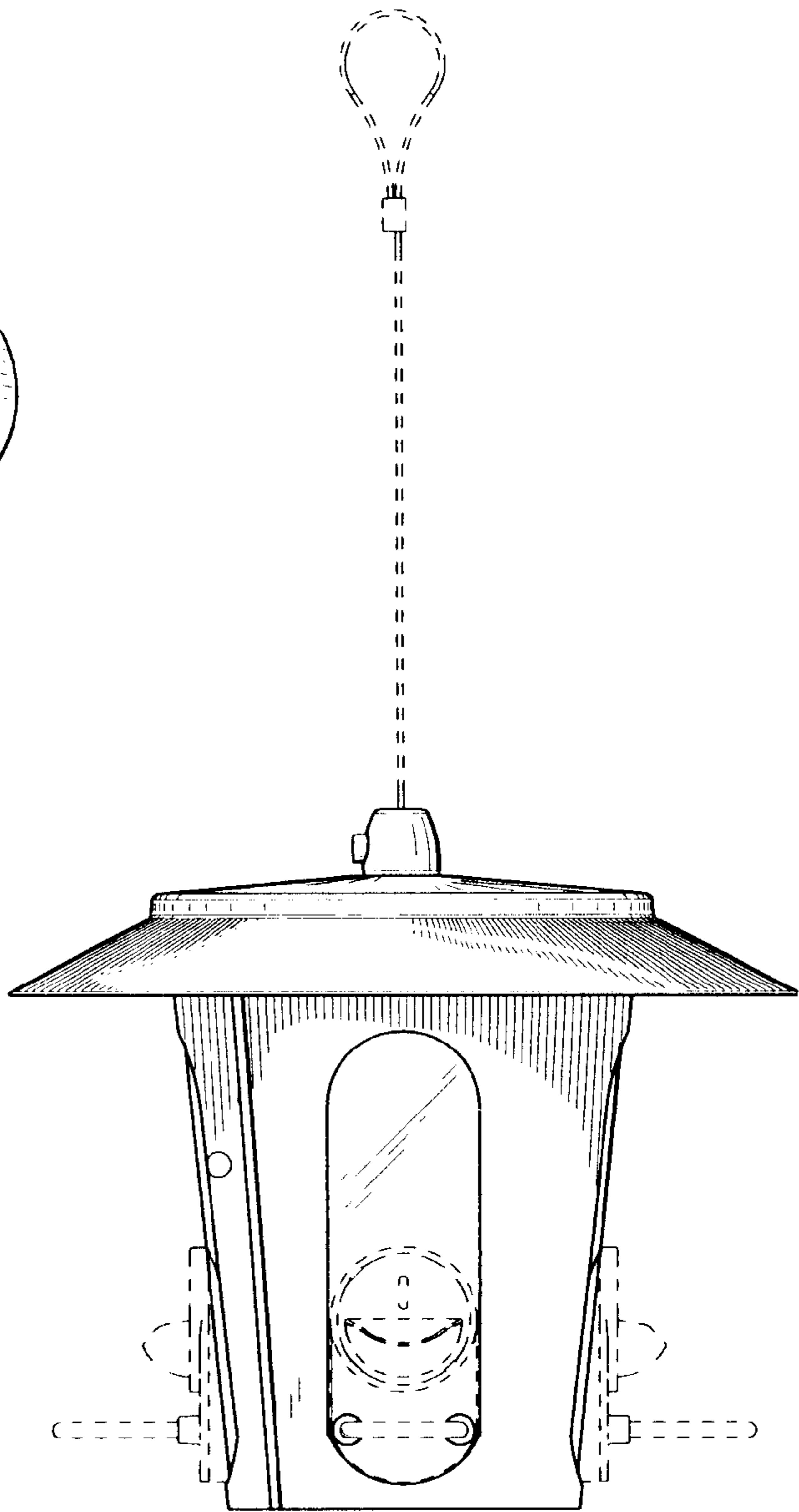


Fig. 2

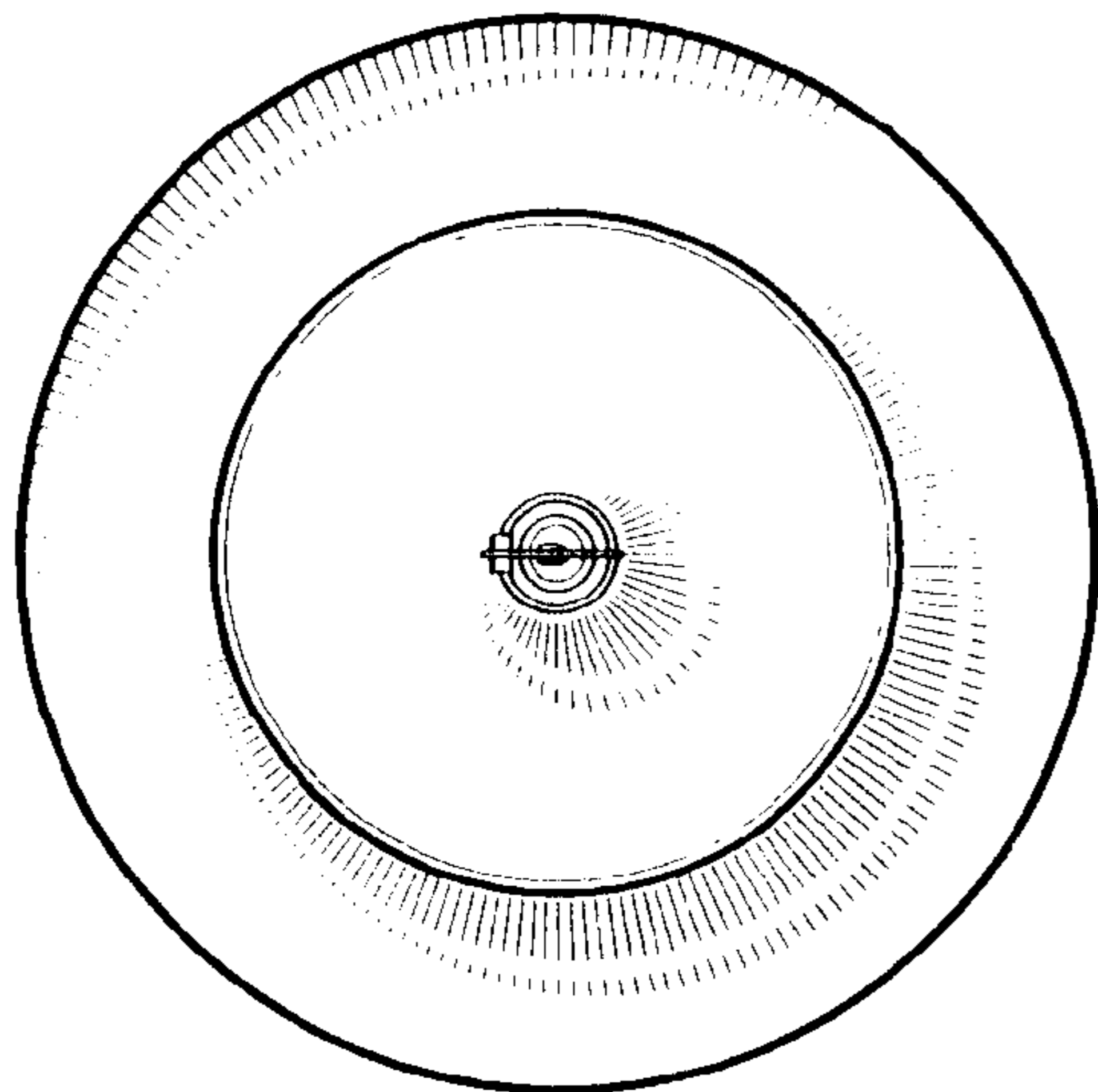


Fig. 3

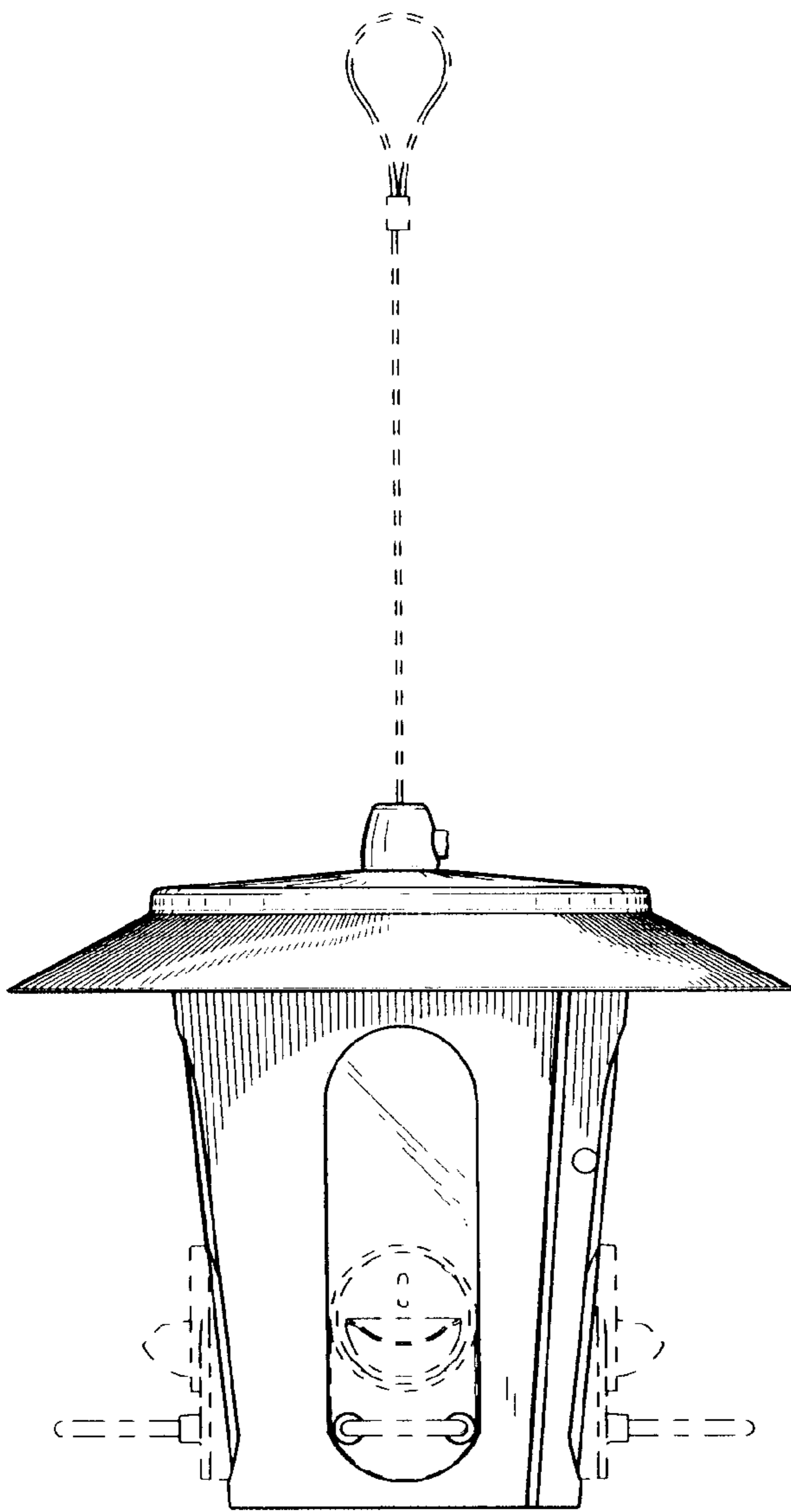


Fig. 4

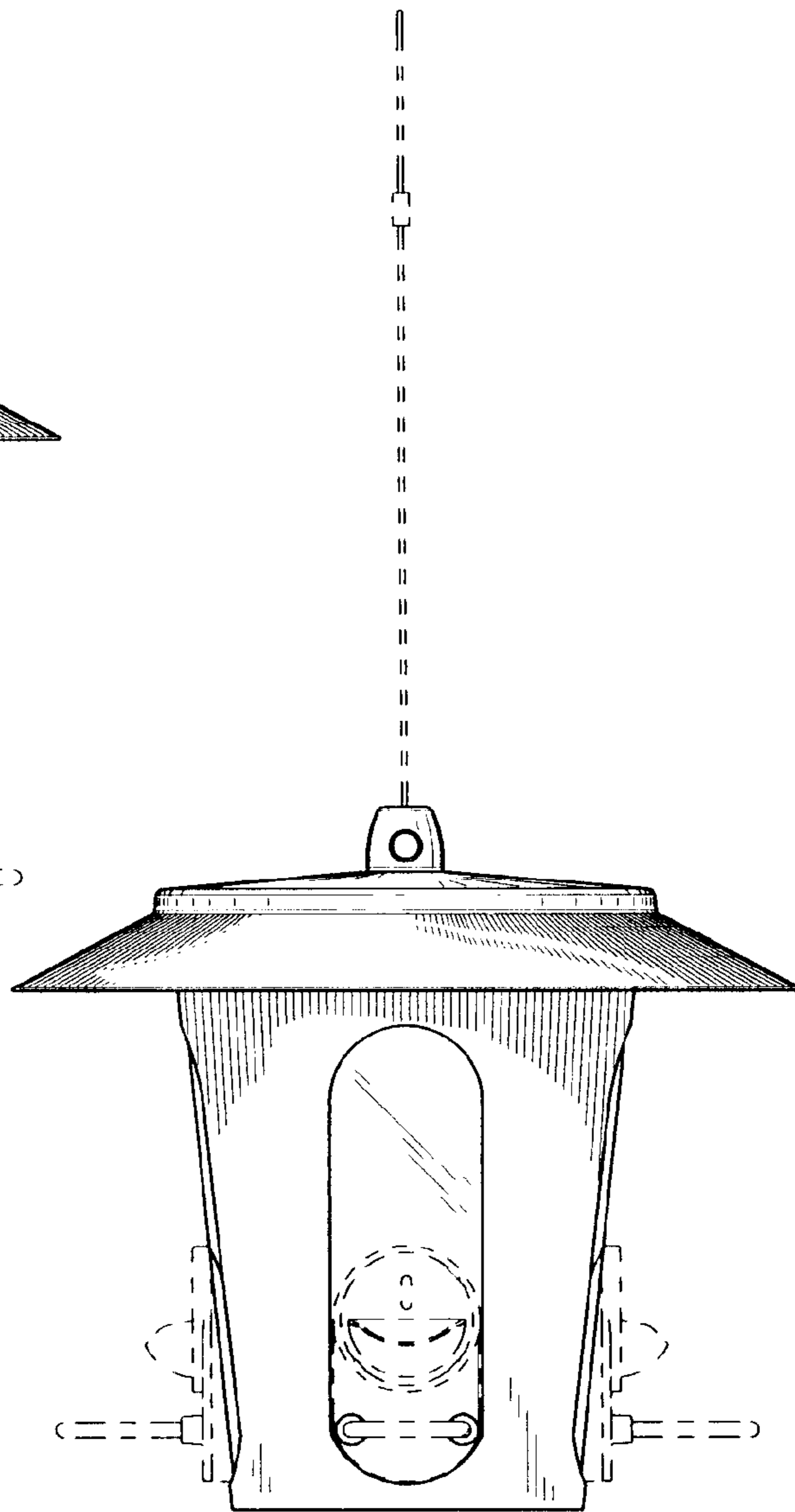


Fig. 5

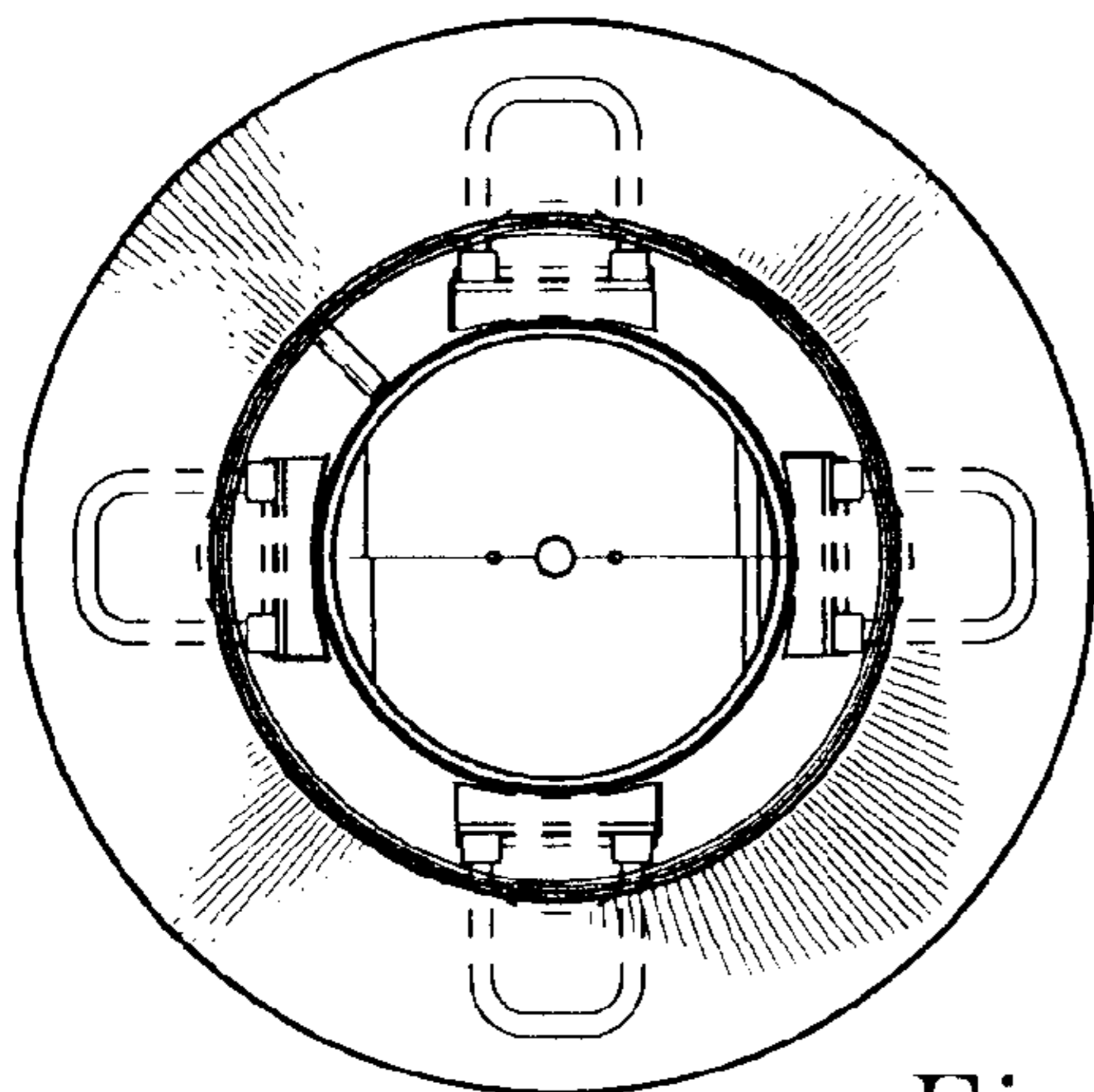


Fig. 6