



US00D512799S

(12) **United States Design Patent**
Simpson et al.

(10) **Patent No.:** **US D512,799 S**
(45) **Date of Patent:** **** Dec. 13, 2005**

- (54) **PET HOME**
- (76) Inventors: **Jeffrey M. Simpson**, 381 Oak Ridge Dr., Auburn, AL (US) 36832; **Mark A. Haley**, 140 Washington Rd., Asheville, NC (US) 28801
- (**) **Term:** **14 Years**
- (21) **Appl. No.:** **29/203,474**
- (22) **Filed:** **Apr. 14, 2004**
- (51) **LOC (6) Cl.** **30-02**
- (52) **U.S. Cl.** **D30/108**
- (58) **Field of Search** D30/108–112, D30/114–119, 158, 160, 161; 119/161–170, 28.5, 246, 453, 474, 482, 485, 496–499, 501, 706, 847

- 5,649,500 A 7/1997 Klavemann et al.
- D382,374 S 8/1997 Burks
- 5,669,331 A 9/1997 Richmond
- 5,890,455 A 4/1999 Donchey
- 5,943,982 A 8/1999 Askins et al.
- 5,960,744 A 10/1999 Rutman
- 5,967,090 A 10/1999 Hui
- D426,680 S * 6/2000 Morley D30/119
- D427,730 S 7/2000 Powers et al.
- 6,131,534 A 10/2000 Axelrod
- 6,192,834 B1 2/2001 Kolozsvari
- D442,748 S 5/2001 Farrugia
- D445,222 S * 7/2001 Ross D30/108
- 6,318,294 B1 11/2001 Richmond et al.
- 6,354,245 B1 3/2002 Roddy et al.
- 6,446,577 B1 * 9/2002 Salahor 119/497
- 6,460,486 B1 * 10/2002 Powers et al. 119/452

(Continued)

FOREIGN PATENT DOCUMENTS

GB 2 238 296 A 5/1991

Primary Examiner—Cathy Anne MacCormac
(74) *Attorney, Agent, or Firm*—Gardner Groff, P.C.

(56) **References Cited**

U.S. PATENT DOCUMENTS

- 989,029 A 4/1911 Newcomb
- 2,079,458 A 5/1937 Leichtfuss
- 2,170,379 A 8/1939 Ortt
- D168,650 S * 1/1953 McKee D30/109
- 2,678,628 A * 5/1954 Williams 119/496
- 2,789,531 A 4/1957 Diefendorf
- 2,892,562 A 6/1959 Smithson
- D193,769 S * 10/1962 Kerr D30/109
- 4,224,899 A 9/1980 Cruchelow et al.
- 4,256,056 A 3/1981 Sou
- 4,484,540 A * 11/1984 Yamamoto 119/497
- 4,527,512 A 7/1985 Sugiura
- D282,880 S * 3/1986 Barati D30/114
- D287,650 S 1/1987 Braeuner
- 4,696,259 A 9/1987 Fewox
- 4,762,085 A 8/1988 Ondrasik
- 4,989,546 A 2/1991 Cannaday
- 5,078,096 A * 1/1992 Bishop et al. 119/497
- 5,154,137 A * 10/1992 Stanaland 119/496
- 5,167,202 A 12/1992 Bradford et al.
- 5,203,281 A 4/1993 Harwich
- 5,357,900 A * 10/1994 Ho 119/479
- 5,469,807 A 11/1995 Kosmaczeska
- 5,626,098 A 5/1997 Askins et al.

(57) **CLAIM**

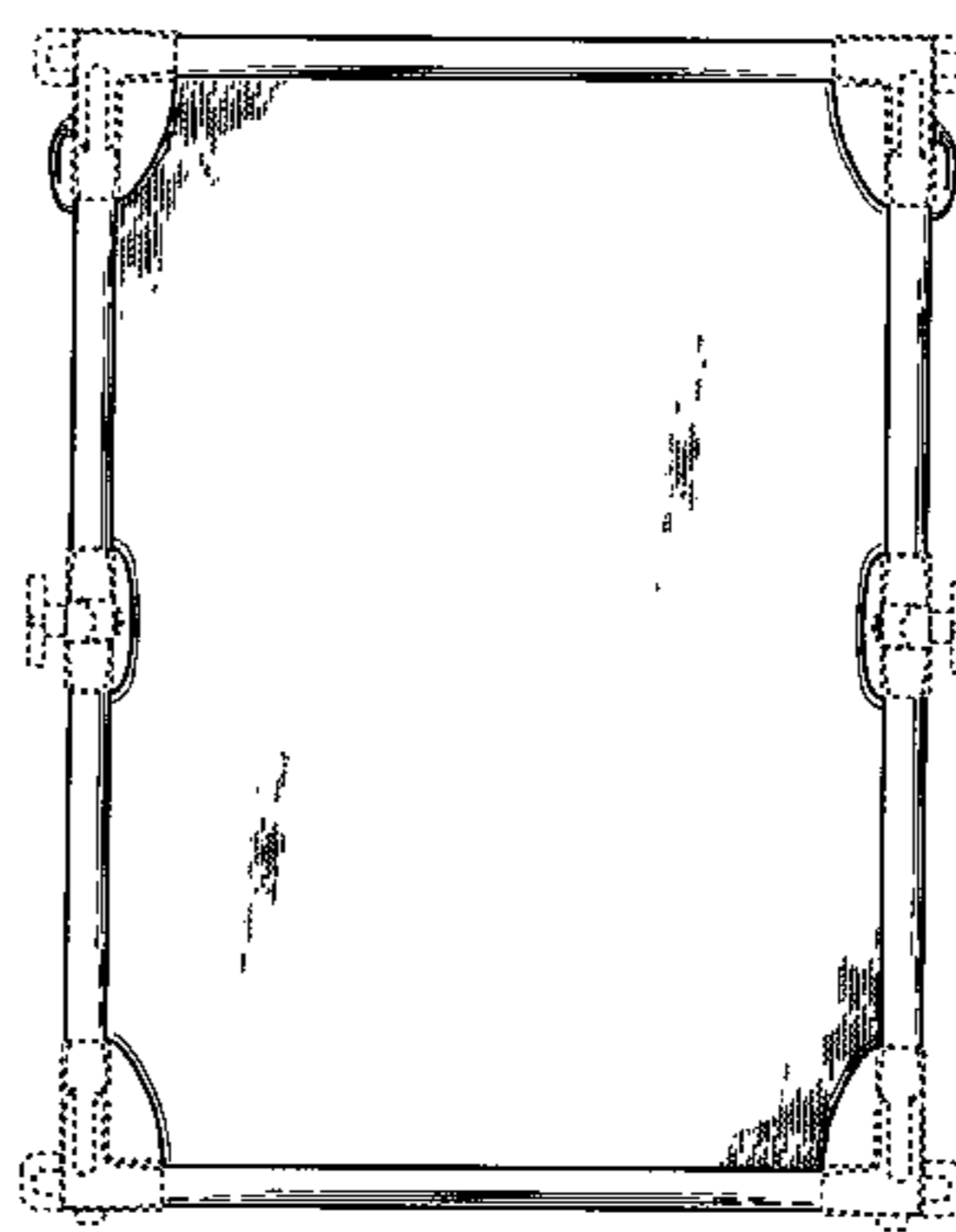
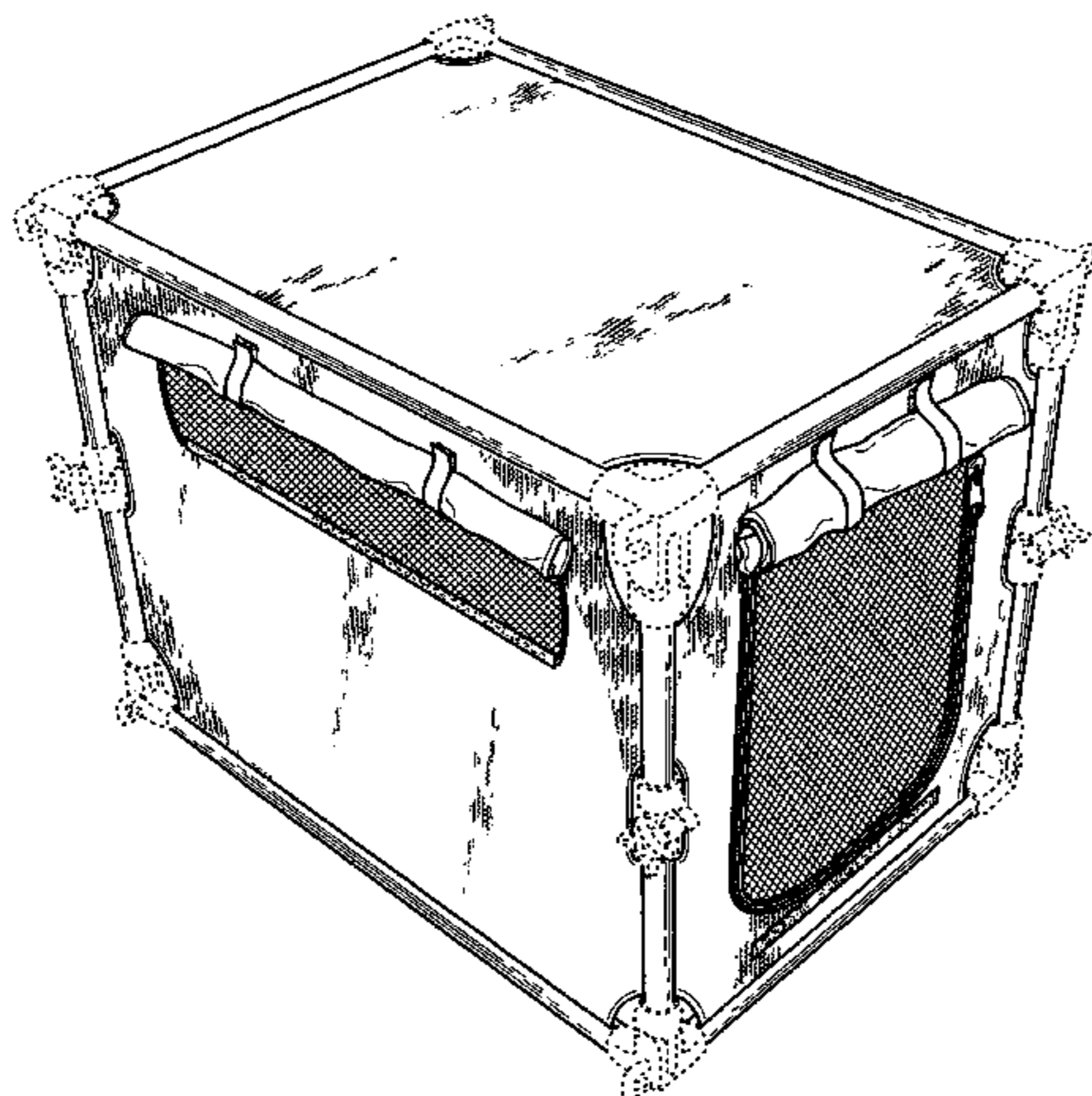
The ornamental design for a pet home, as shown and described.

DESCRIPTION

FIG. 1 is a perspective view of a pet home according to the design;
 FIG. 2 is a front view thereof;
 FIG. 3 is a rear view thereof;
 FIG. 4 is a side view thereof, the opposing side is a mirror image;
 FIG. 5 is a top view thereof; and,
 FIG. 6 is a bottom view thereof.

Portions of the structure represented in the drawings by broken lines are not considered part of the claimed design.

1 Claim, 4 Drawing Sheets



US D512,799 S

Page 2

U.S. PATENT DOCUMENTS

6,581,545 B1 *	6/2003	Foster	119/482	6,715,446 B2 *	4/2004	Chou	119/497
D483,156 S	12/2003	Simpson			6,832,580 B2 *	12/2004	Marchioro	D30/114

* cited by examiner

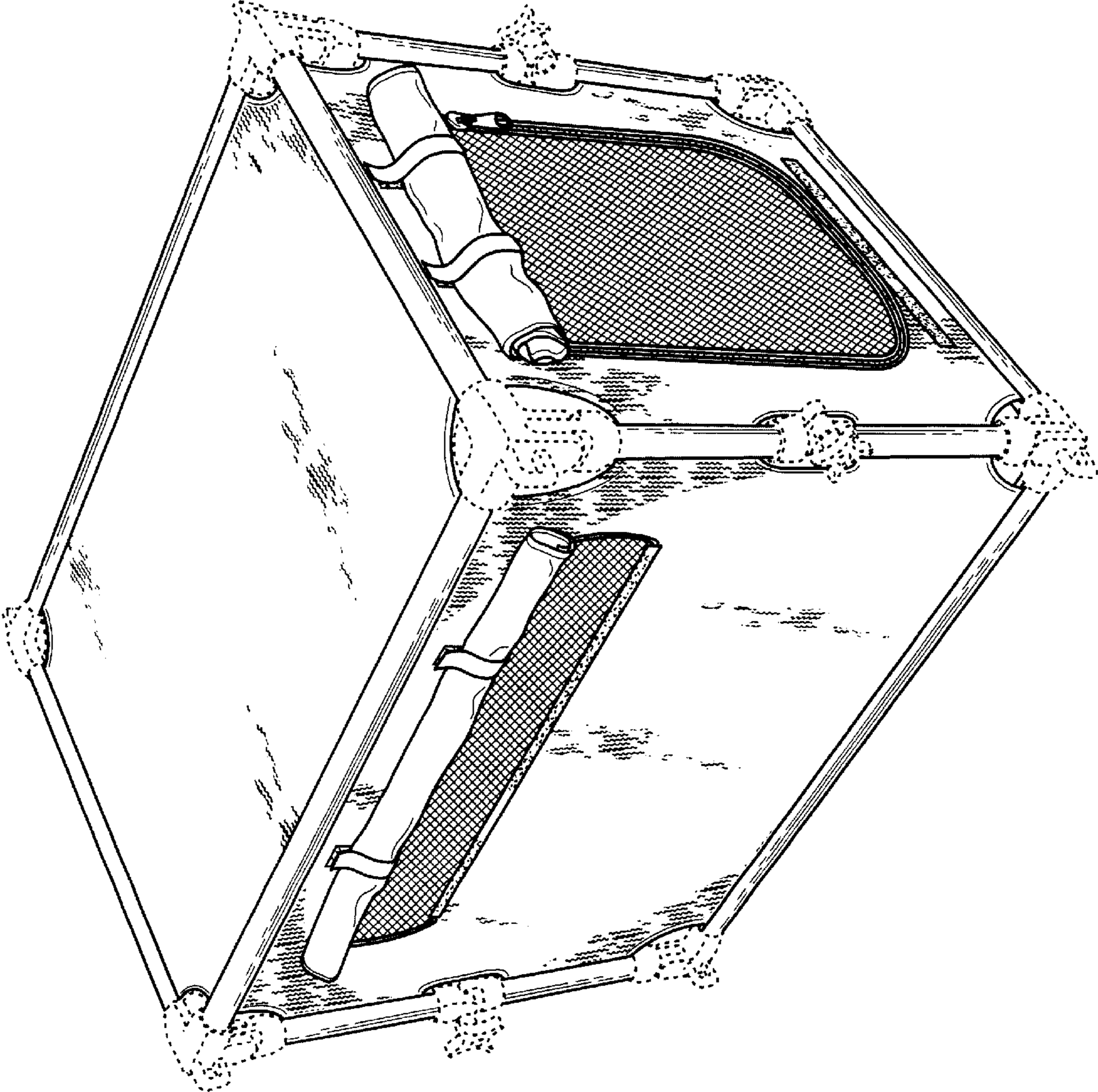


Fig. 1

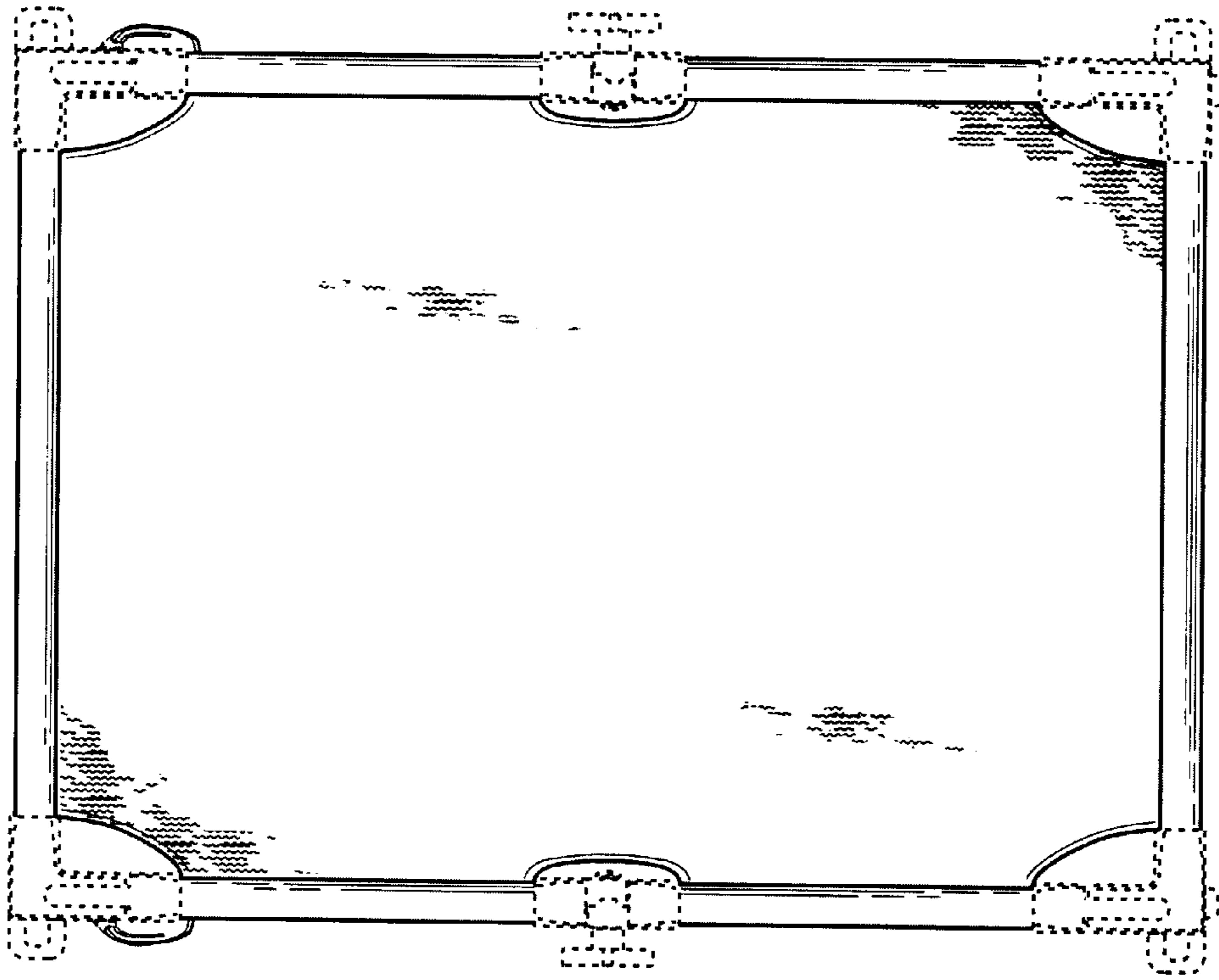


Fig. 1

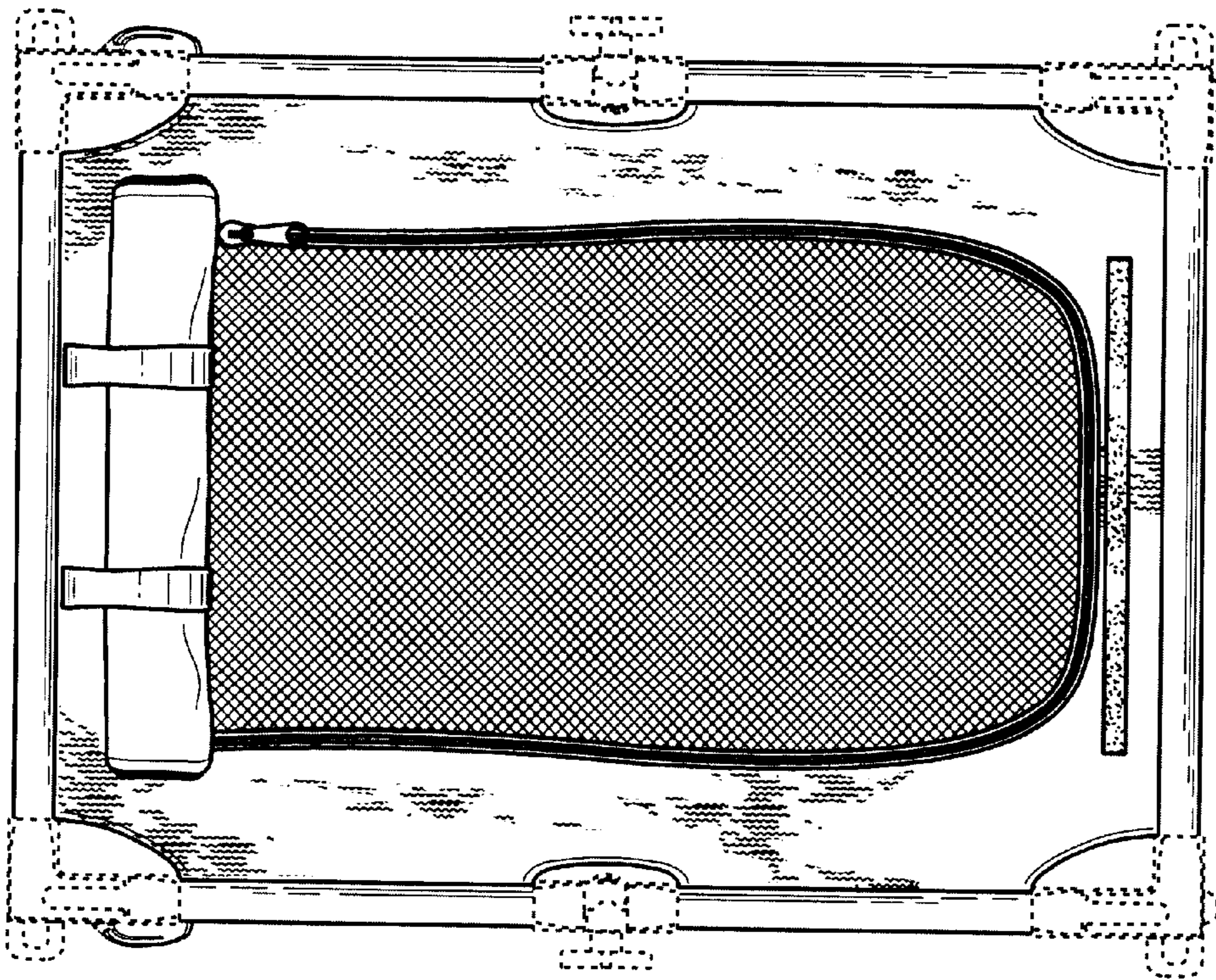


Fig. 2

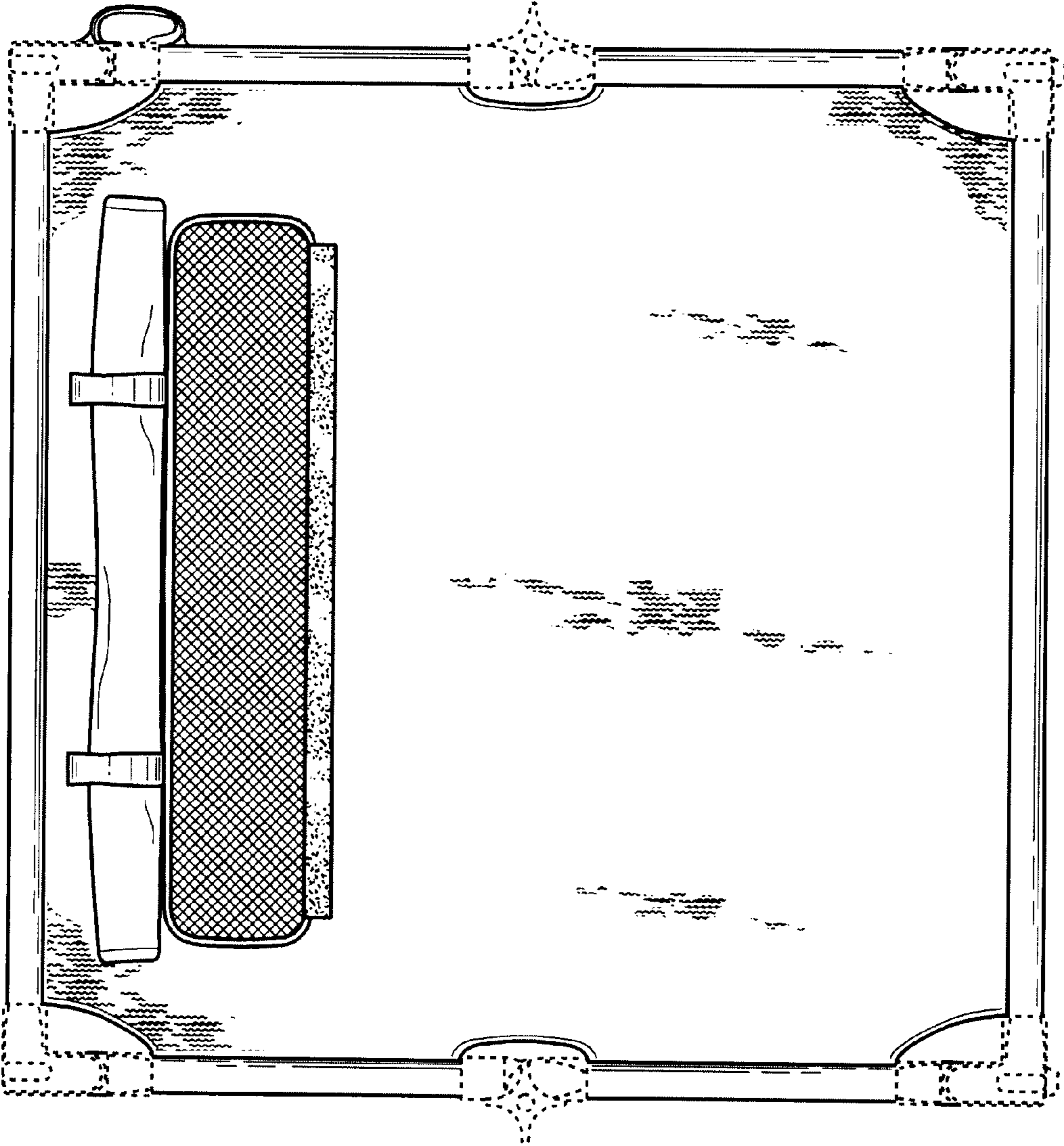


Fig. 4

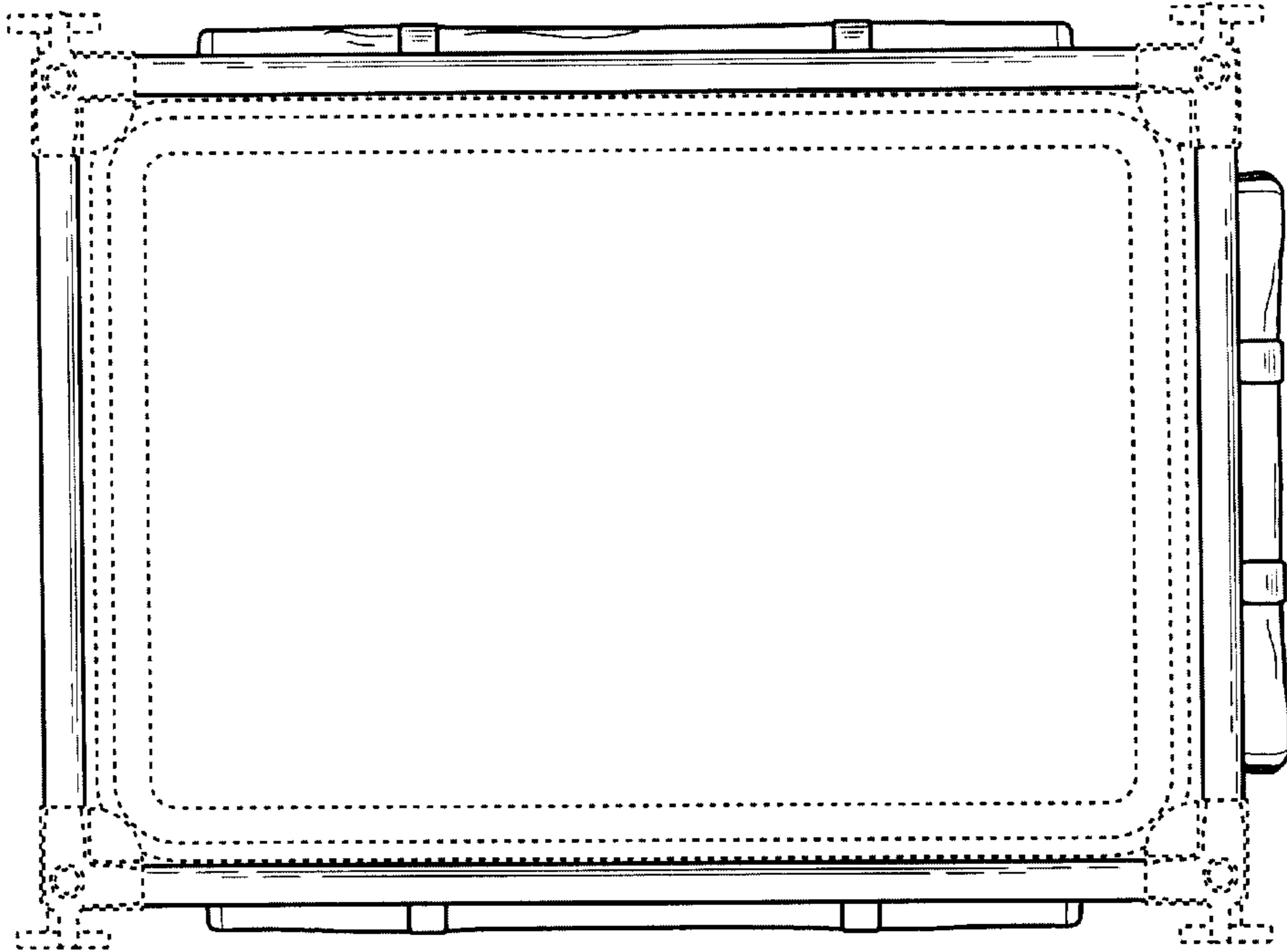


Fig. 6

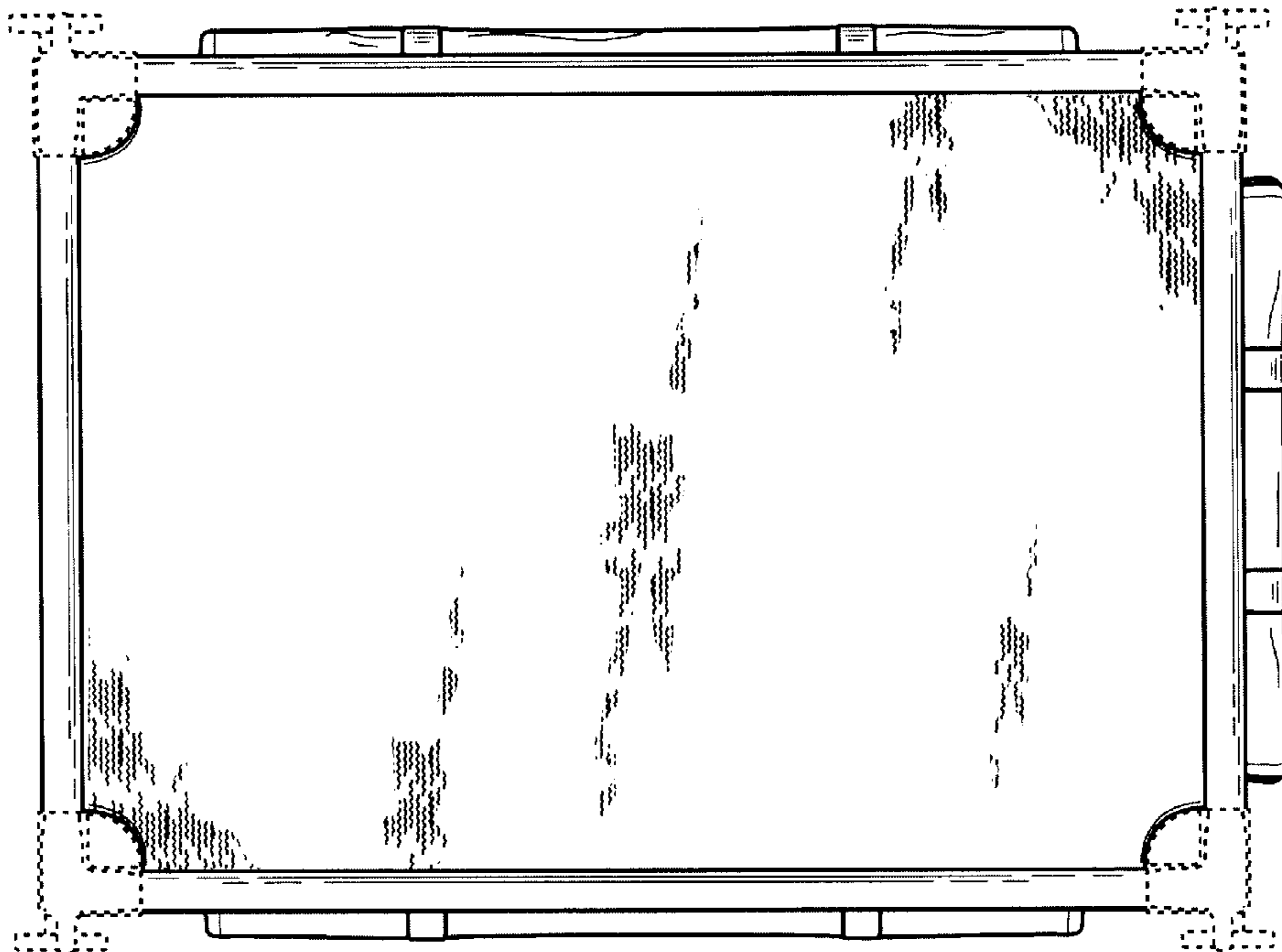


Fig. 5