



US00D512794S

(12) **United States Design Patent** (10) **Patent No.:** **US D512,794 S**
Angeletta (45) **Date of Patent:** **** Dec. 13, 2005**

(54) **LIQUID AND LOTION APPLICATOR**

(76) Inventor: **Joseph G. Angeletta**, 418 Fifth St.,
Mamaroneck, NY (US) 10543

(**) Term: **14 Years**

(21) Appl. No.: **29/162,160**

(22) Filed: **Jun. 11, 2002**

(51) **LOC (6) Cl.** **28-02**

(52) **U.S. Cl.** **D28/7**

(58) **Field of Search** D28/7, 63; D24/119;
D4/114, 138, 127, 137, 119, 120; D32/45,
40, 51; D9/338, 447, 436; 401/6, 196, 202-207,
266, 139, 263-265; 15/244.1, 143.1, 104.94,
209.1, 210.1; 132/317, 320

(56) **References Cited**

U.S. PATENT DOCUMENTS

2,829,393	A	*	4/1958	Turcotte et al.	401/207
D289,564	S	*	4/1987	Harford	D28/7
D343,297	S	*	1/1994	Haines	D4/116
5,322,382	A	*	6/1994	Hull et al.	401/131
D351,285	S	*	10/1994	Joyner et al.	D4/120
5,454,659	A	*	10/1995	Vosbikian et al.	401/207
D384,436	S	*	9/1997	Kelley	D28/7
D417,033	S	*	11/1999	Sachs et al.	D28/7
D434,525	S	*	11/2000	Angeletta	D28/7
D438,671	S	*	3/2001	Angeletta	D28/7
D445,539	S	*	7/2001	Angeletta	D28/7
D445,954	S	*	7/2001	Angeletta	D28/7
D461,279	S	*	8/2002	Angeletta	D28/7
D481,167	S	*	10/2003	Angeletta	D28/7

* cited by examiner

Primary Examiner—Lucy Lieberman

(74) *Attorney, Agent, or Firm*—Scully, Scott, Murphy & Presser

(57) **CLAIM**

The ornamental design for a liquid and lotion applicator, as shown and described.

DESCRIPTION

FIG. 1 illustrates a side view of a first embodiment of a liquid and lotion applicator shown my new design;

FIG. 2 illustrates a top plan view thereof;

FIG. 3 is a fragmentary bottom plan view of the first embodiment with a portion of the handle shown broken away for ease of illustration;

FIG. 4 illustrates a side view of the backing for the applicator portion;

FIG. 5 illustrates a top plan view of the applicator portion;

FIG. 6 illustrates a perspective view of FIG. 5;

FIG. 7 illustrates a side view of another embodiment;

FIG. 8 illustrates a top plan view thereof;

FIG. 9 is a fragmentary bottom plan view of the second embodiment with a portion of the handle shown broken away for ease of illustration;

FIG. 10 illustrates a side view of the applicator portion thereof;

FIG. 11 illustrates a top plan view of the applicator portion;

FIG. 12 illustrates a perspective view of the applicator portion;

FIG. 13 illustrates a side view of another embodiment thereof;

FIG. 14 illustrates a top plan view thereof;

FIG. 15 illustrates a side view of the applicator portion;

FIG. 16 illustrates a top plan view of the applicator portion thereof;

FIG. 17 illustrates a side view of another embodiment;

FIG. 18 illustrates a top plan view thereof;

FIG. 19 is a fragmentary bottom plan view of the fourth embodiment with a portion of the handle shown broken away for ease of illustration;

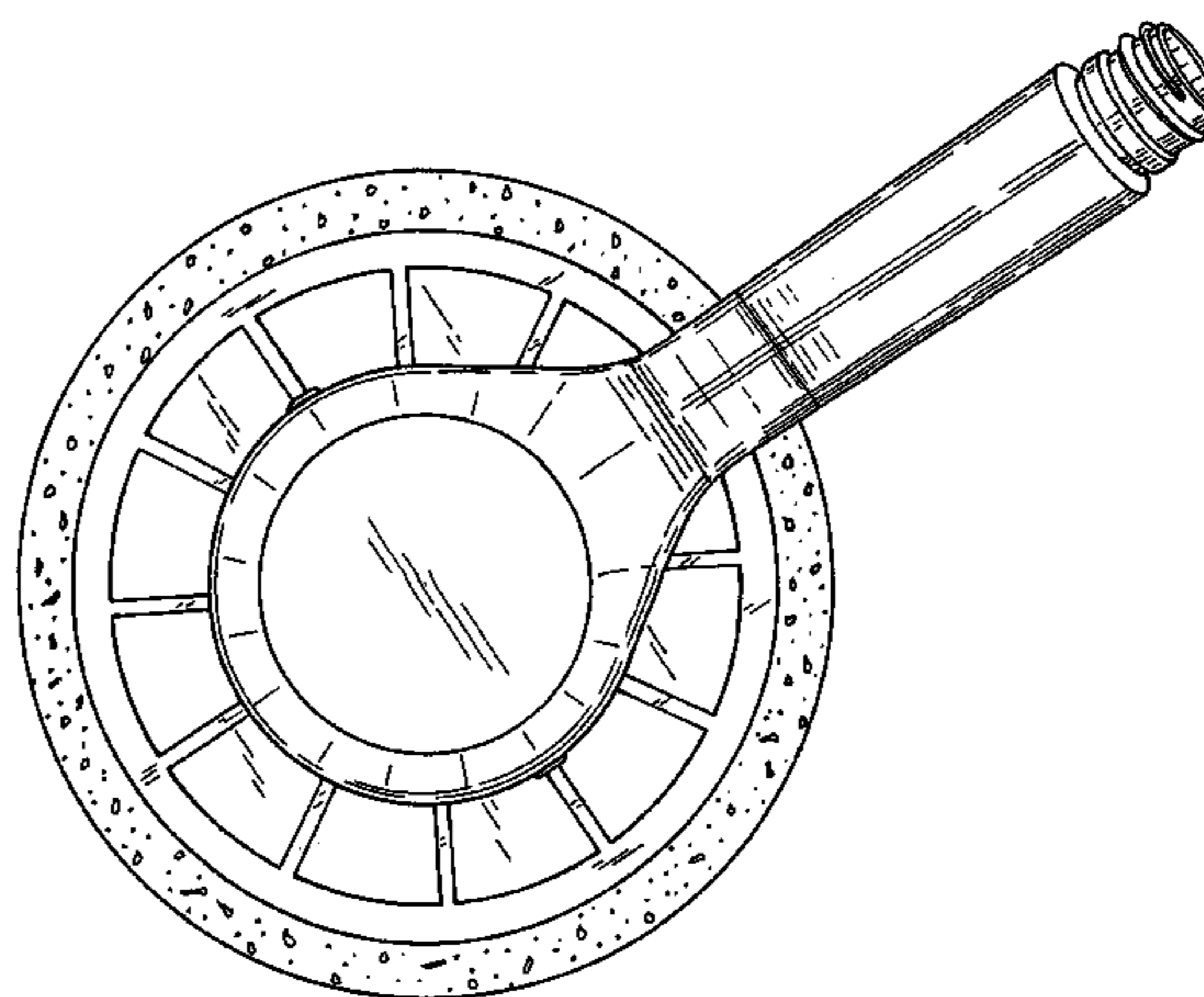
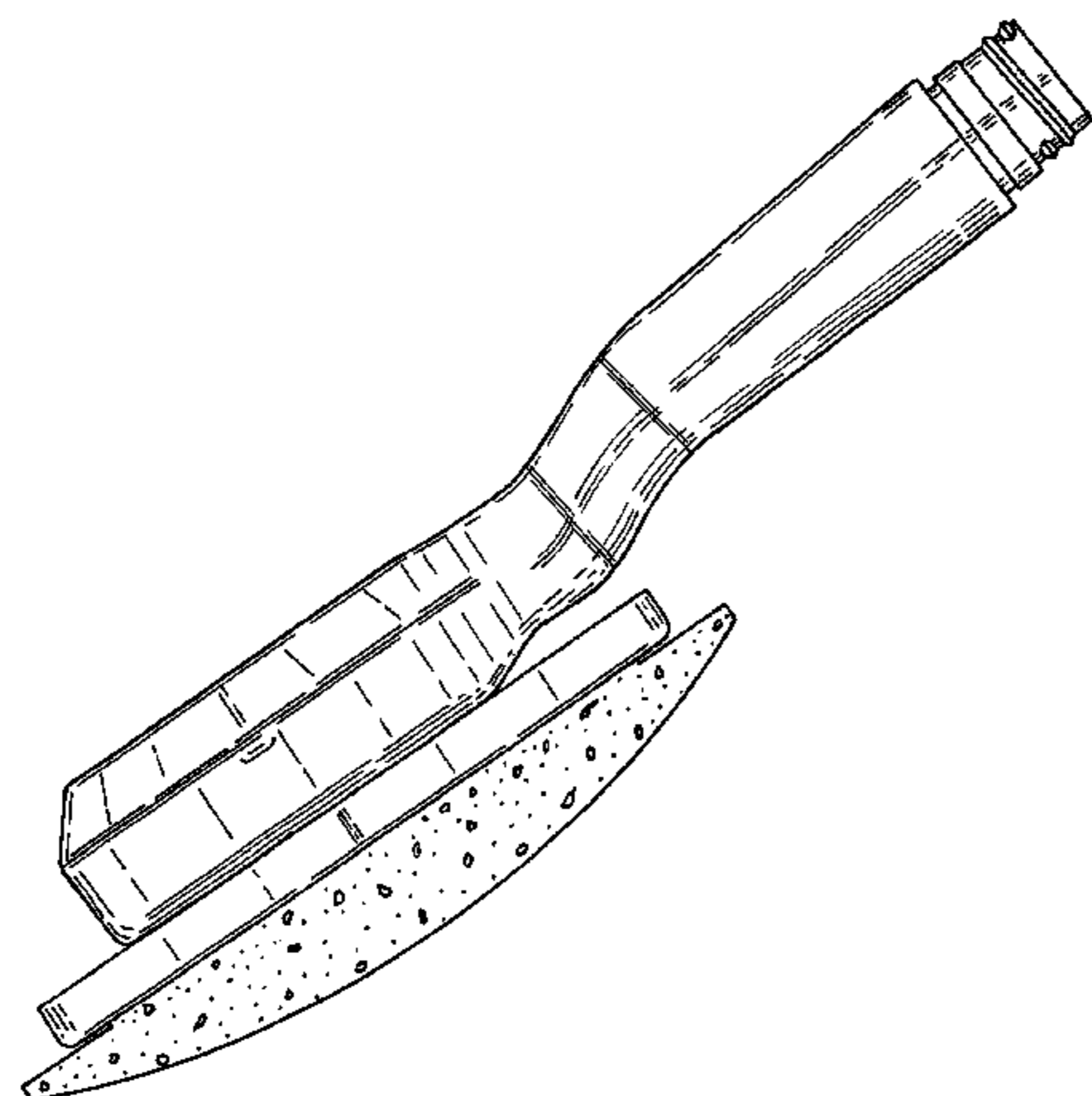
FIG. 20 illustrates a side view of the applicator portion thereof;

FIG. 21 illustrates a top plan view thereof; and,

FIG. 22 illustrates a perspective view thereof.

The parts shown in FIGS. 4, 5, 6, 10, 11, 12, 15, 20, 21 and 22 are shown separately to completely disclose the claimed design.

1 Claim, 8 Drawing Sheets



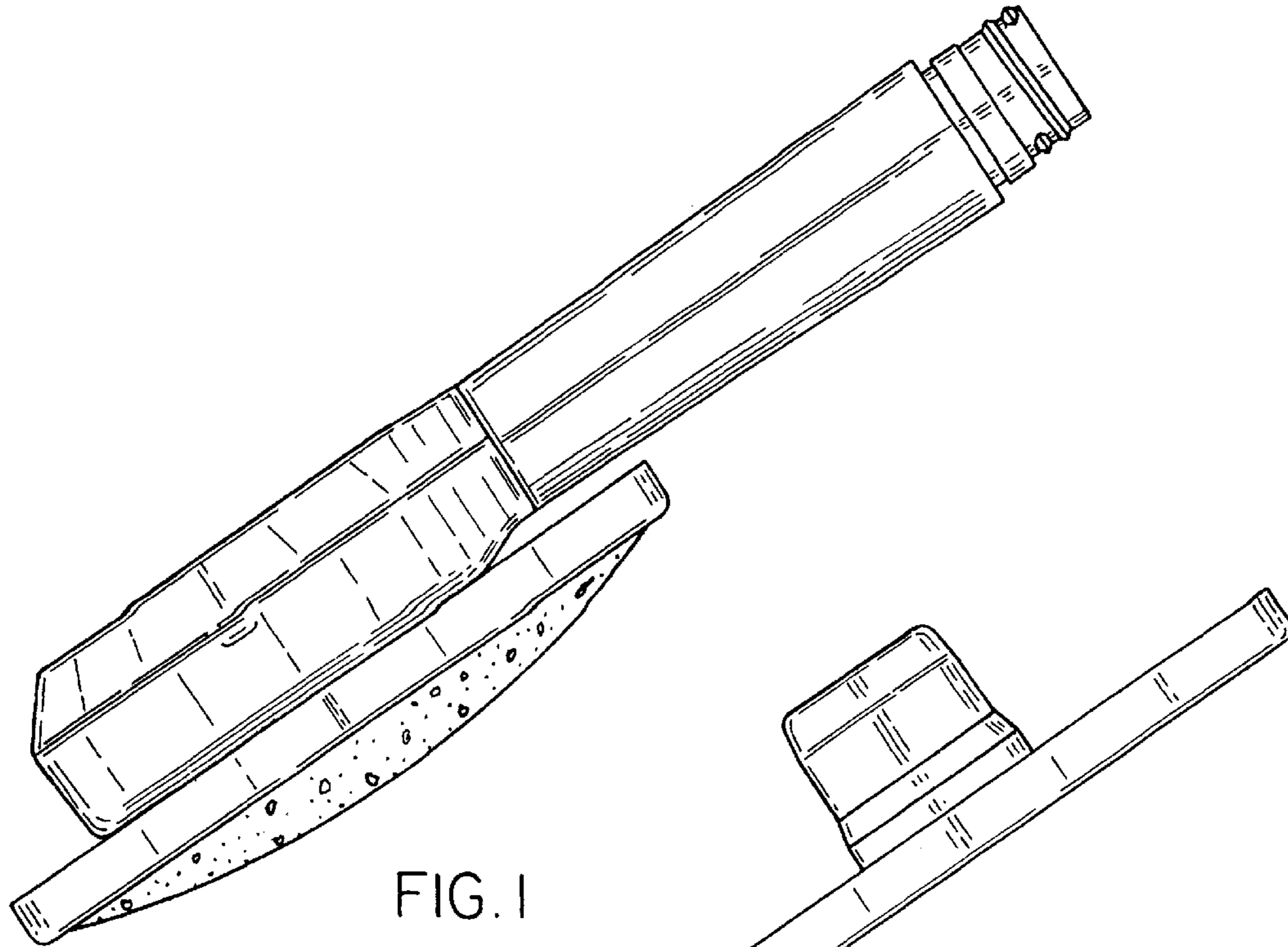


FIG. 1

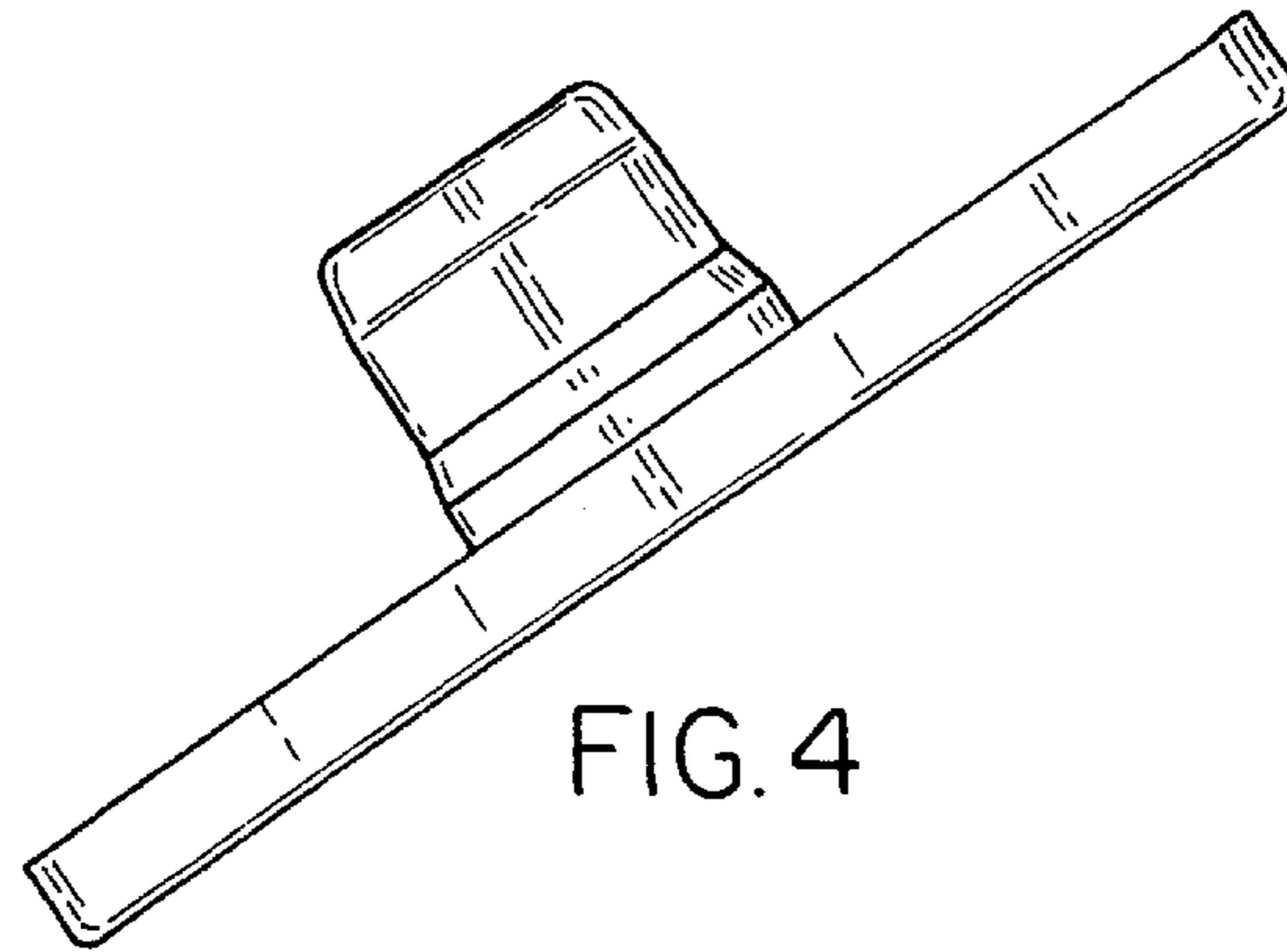


FIG. 4

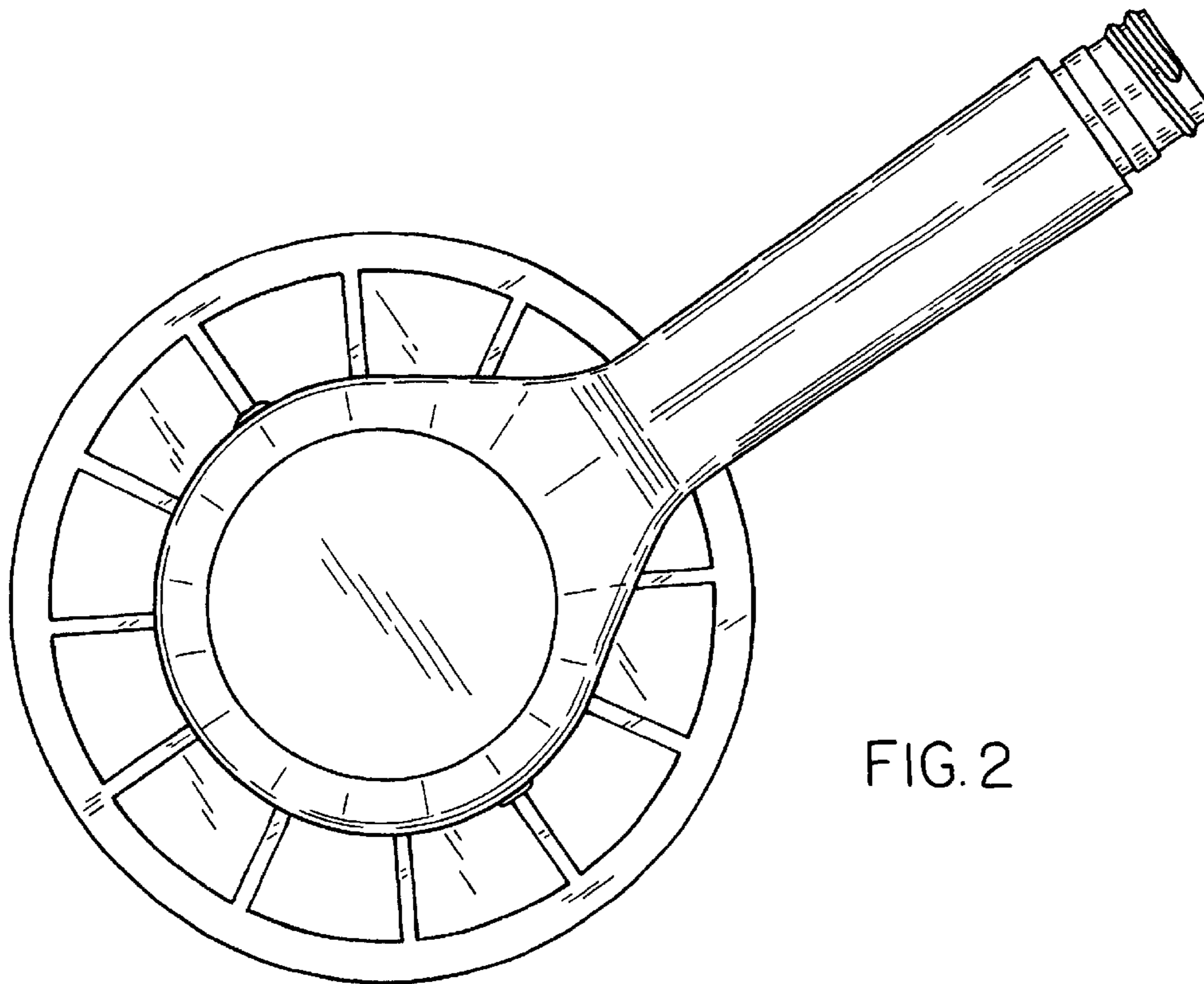


FIG. 2

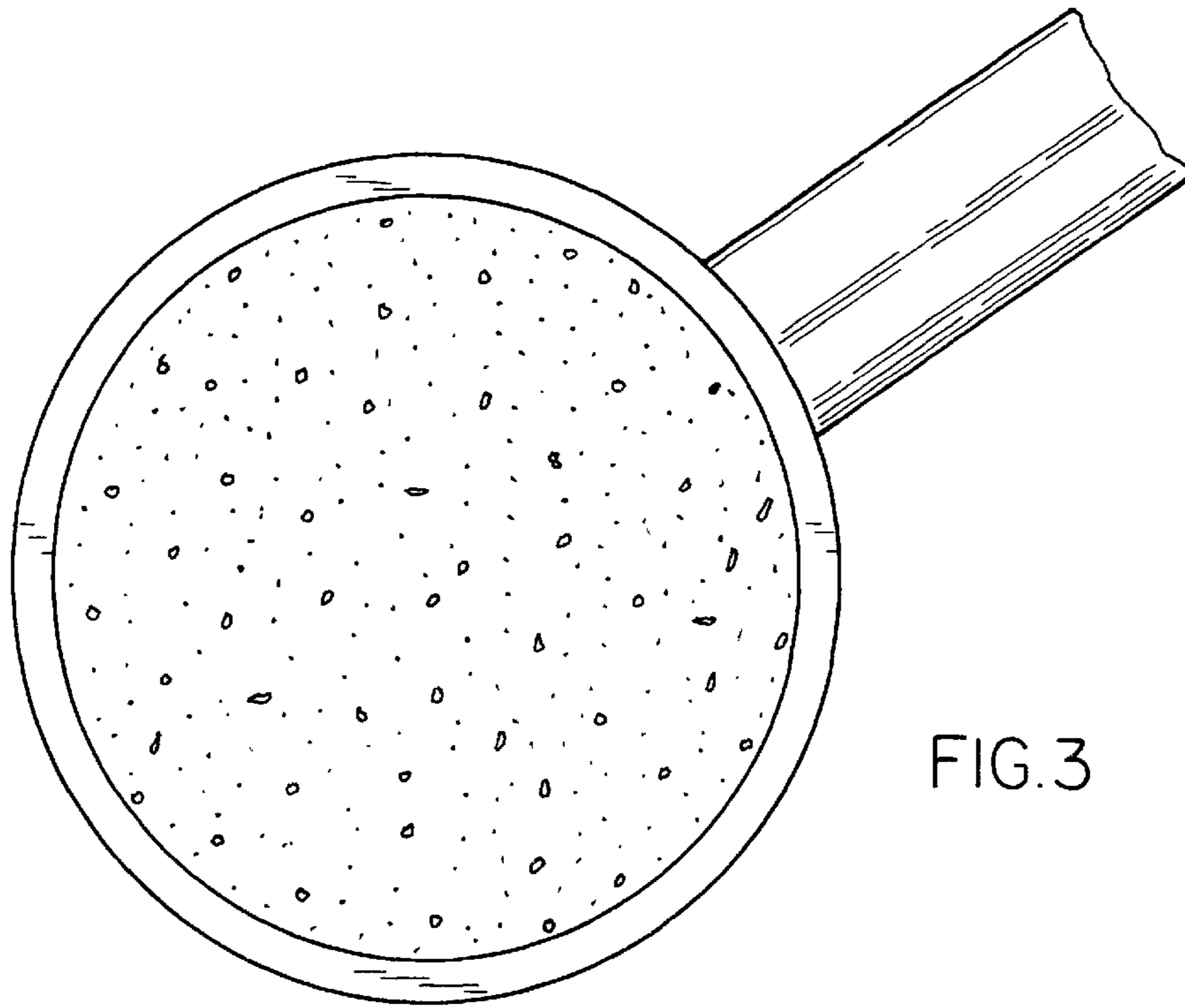


FIG. 3

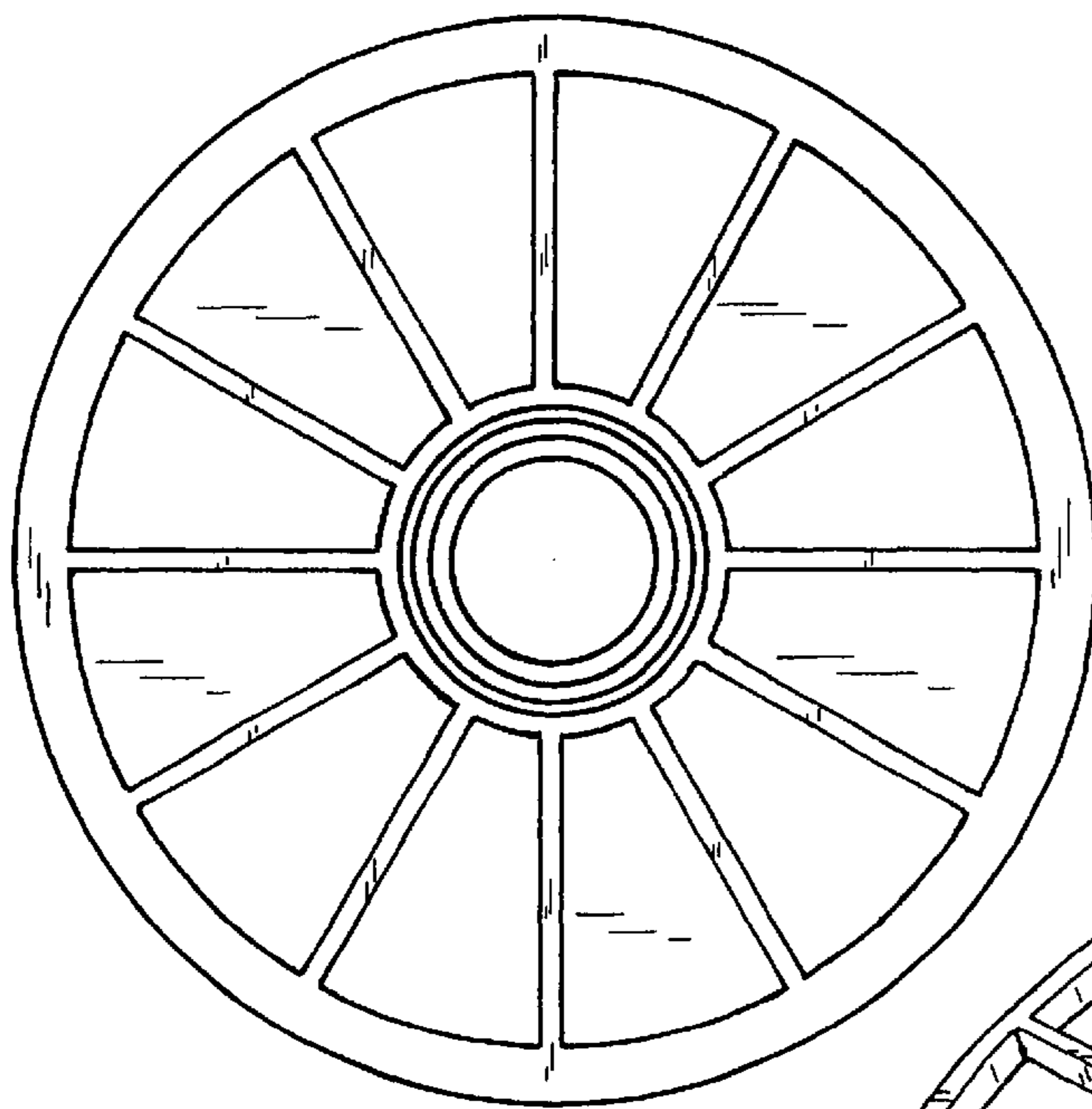


FIG. 5

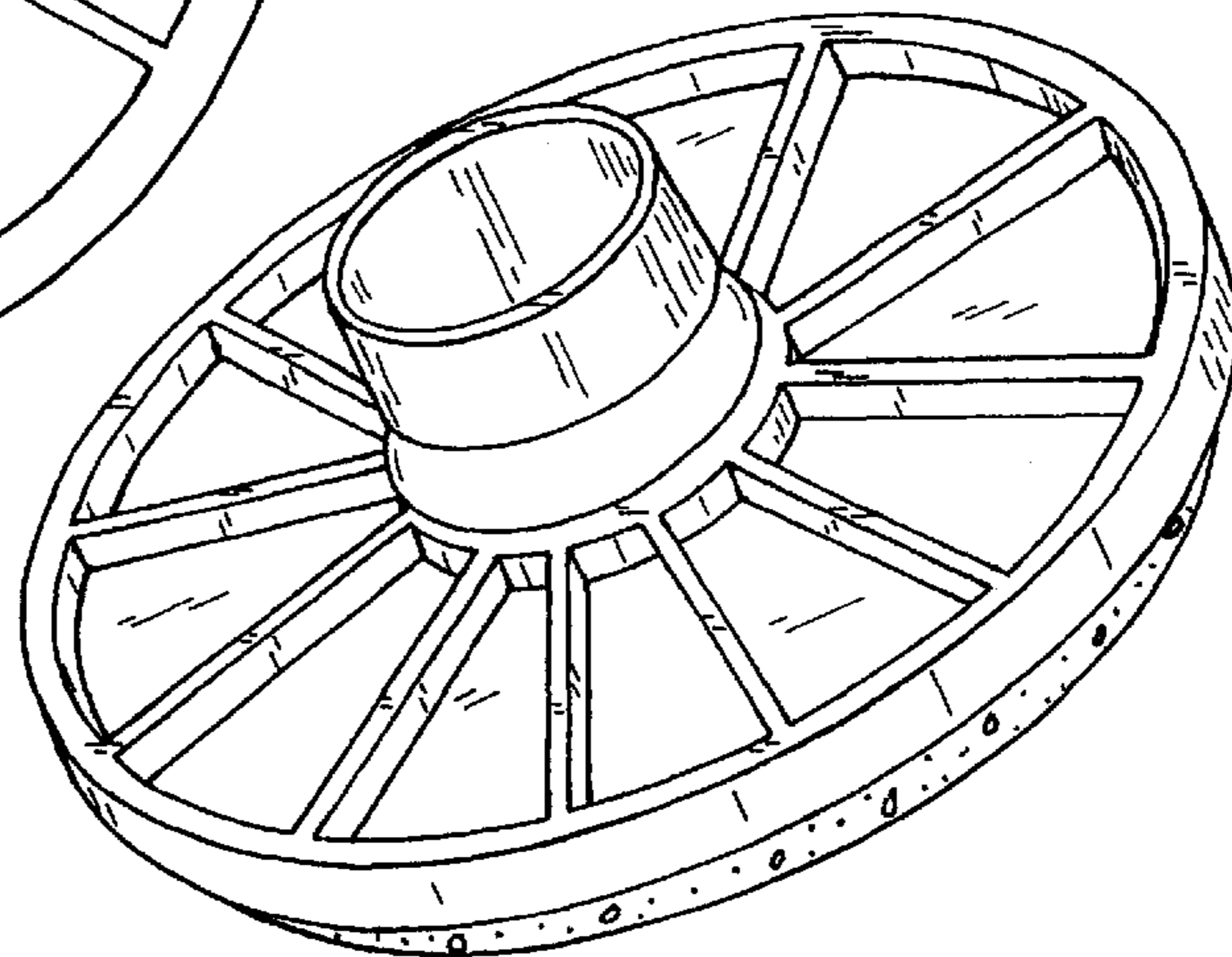


FIG. 6

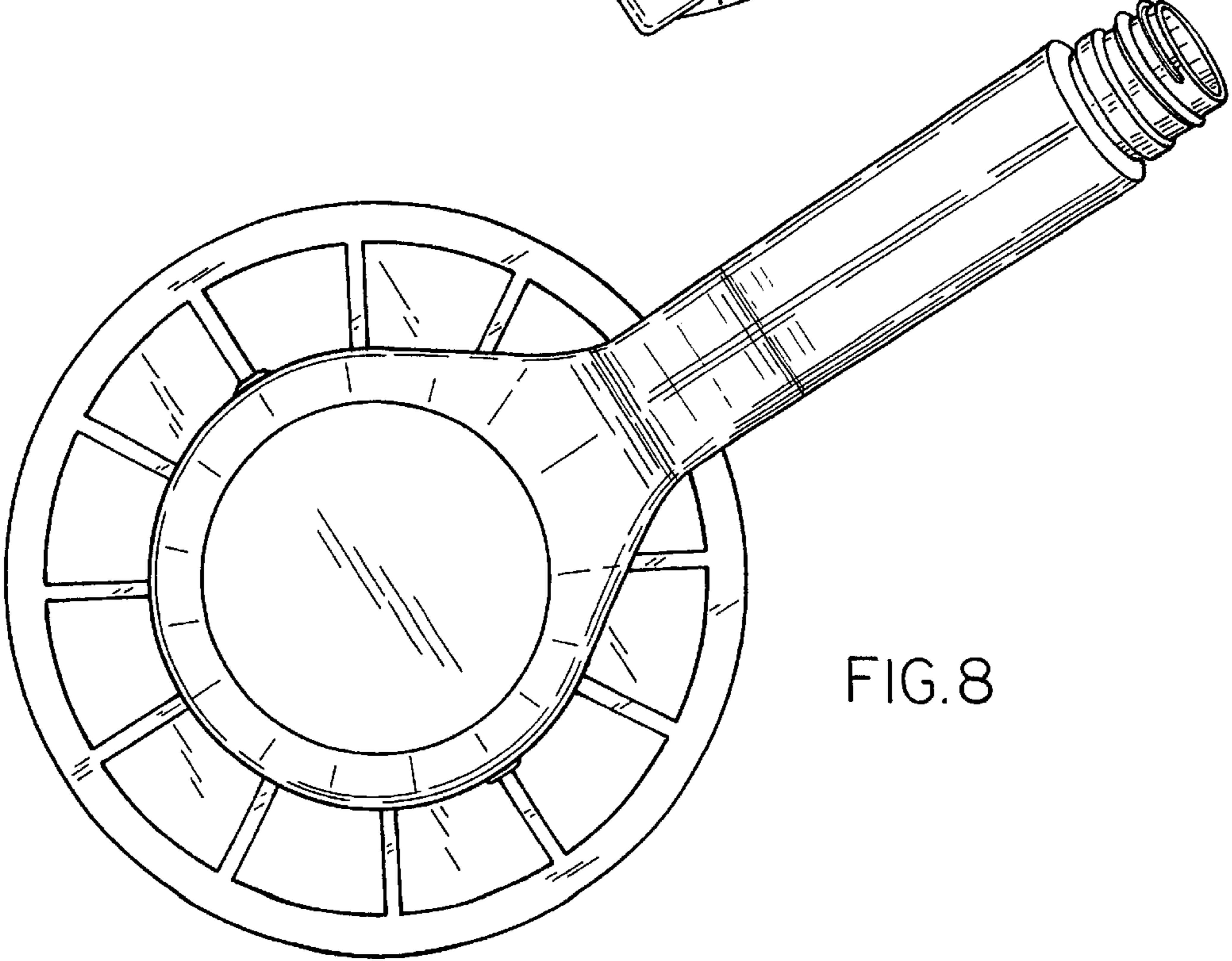
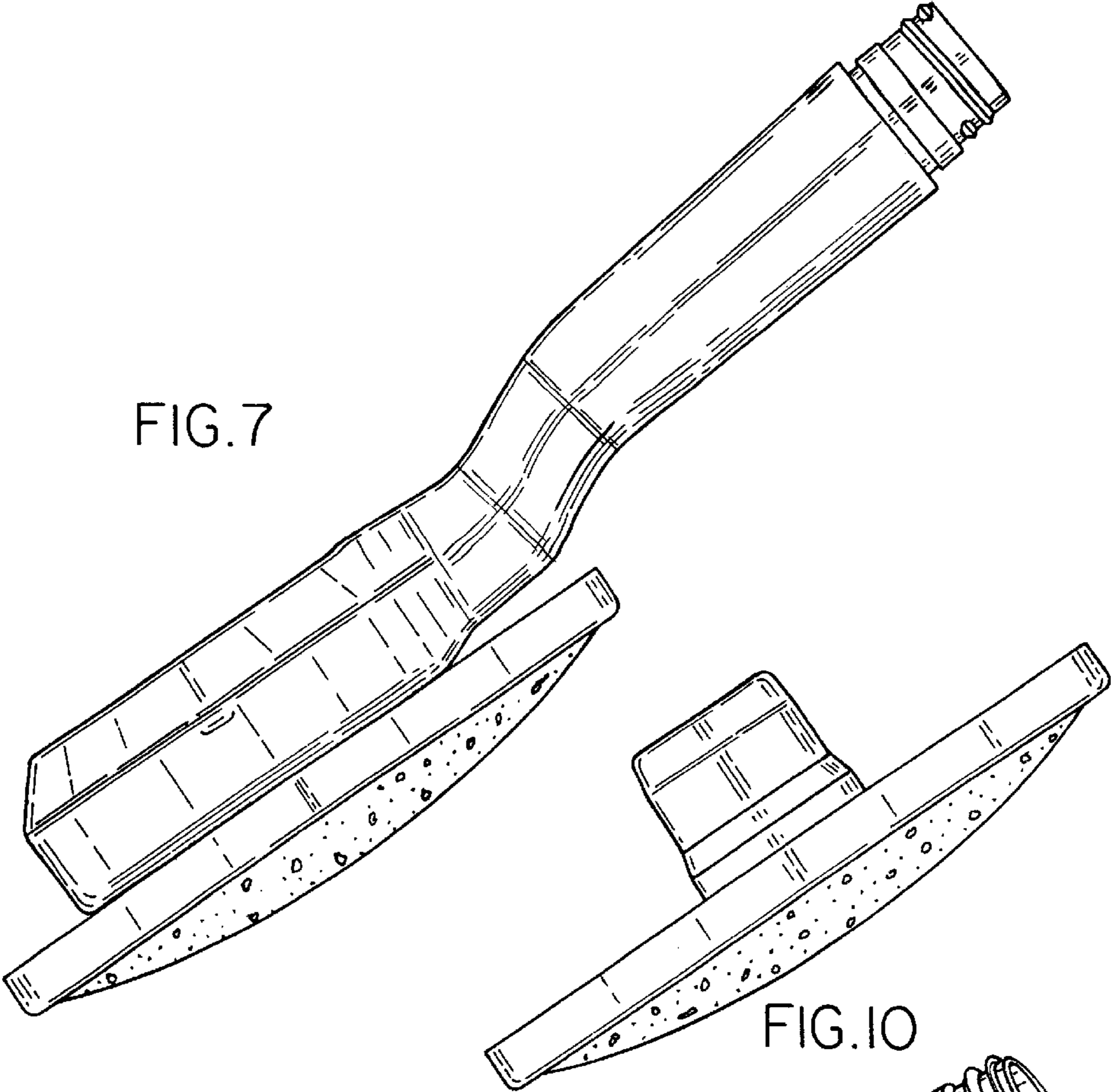


FIG. 7

FIG. 10

FIG. 8

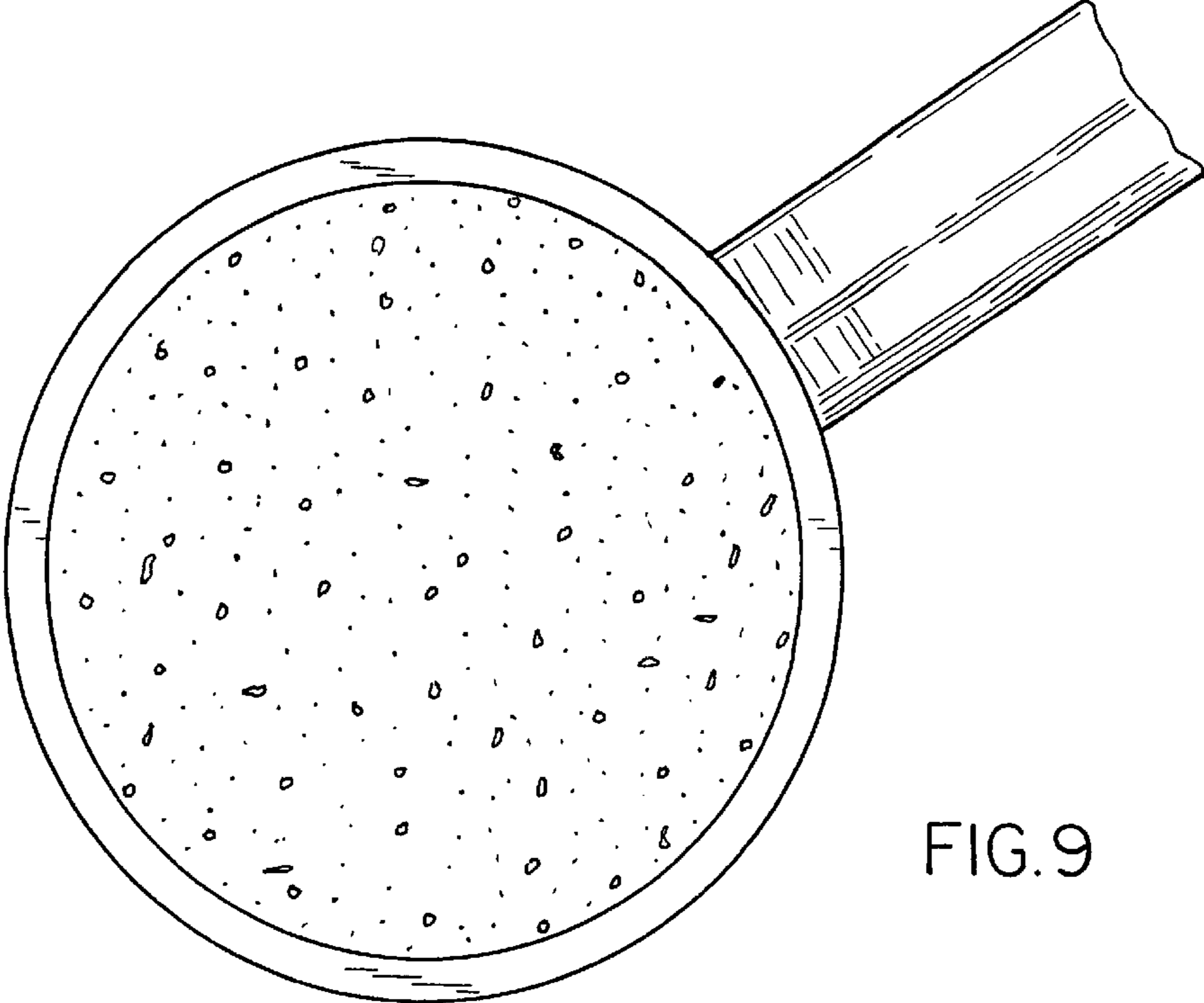


FIG. 9

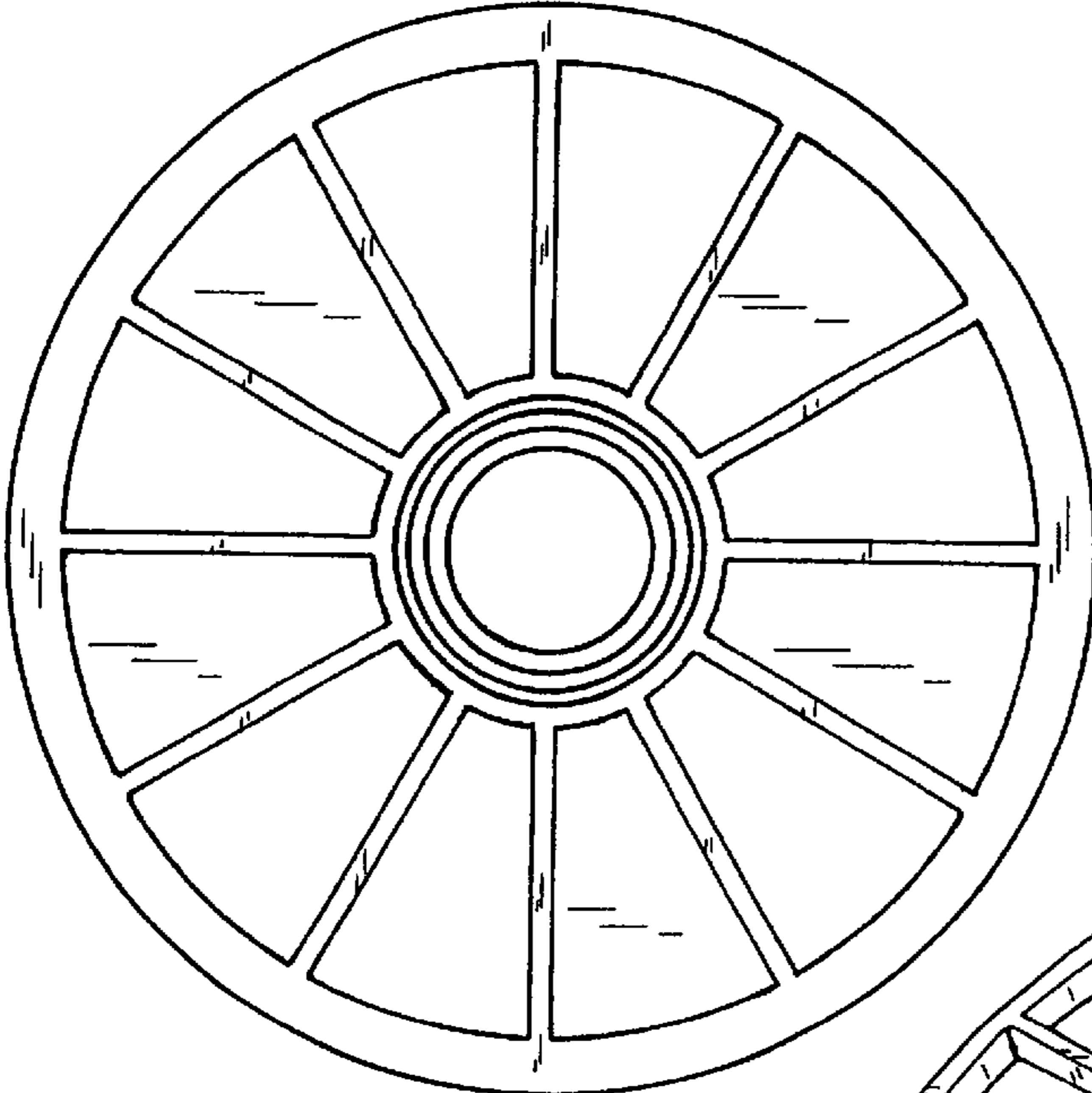


FIG. 11

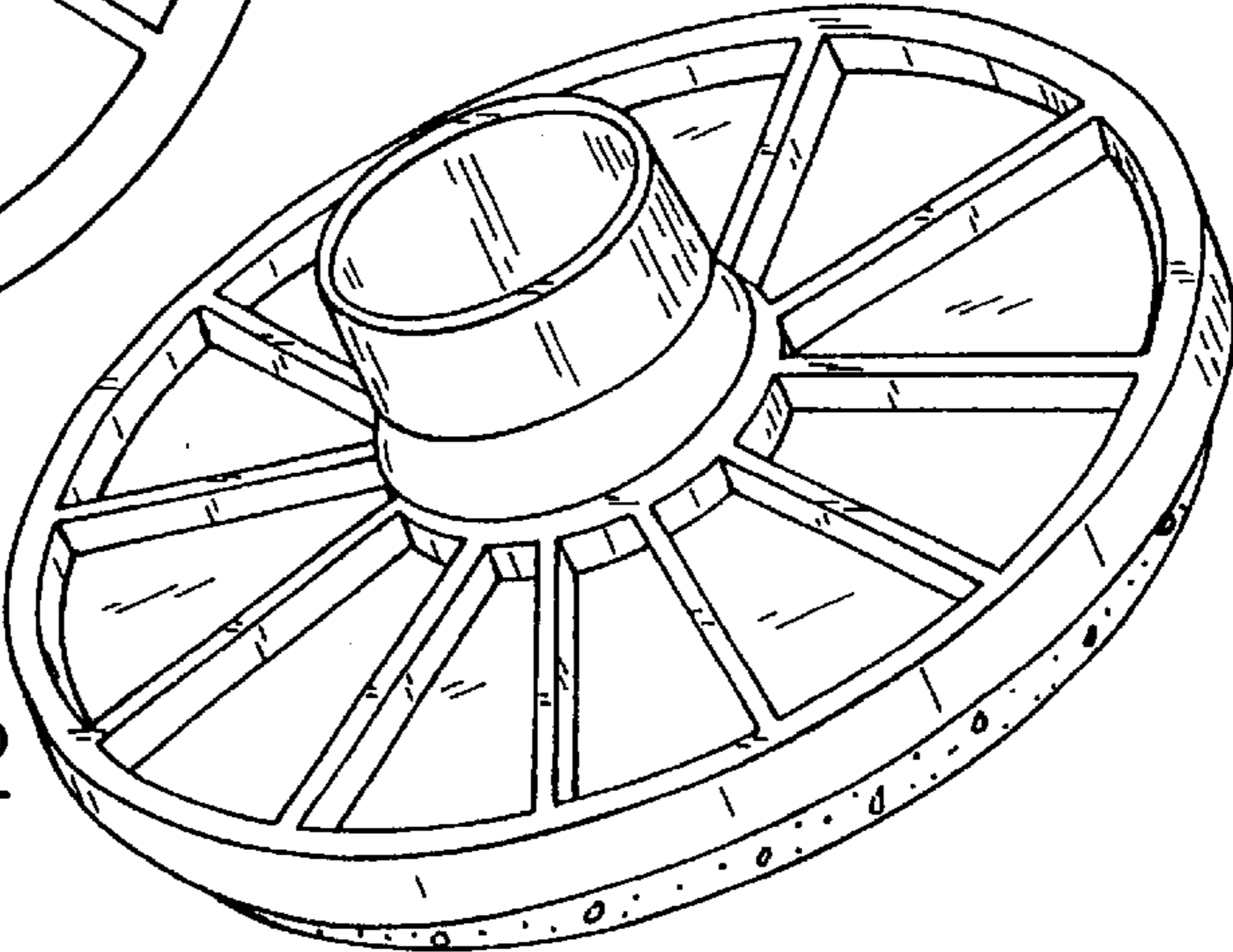
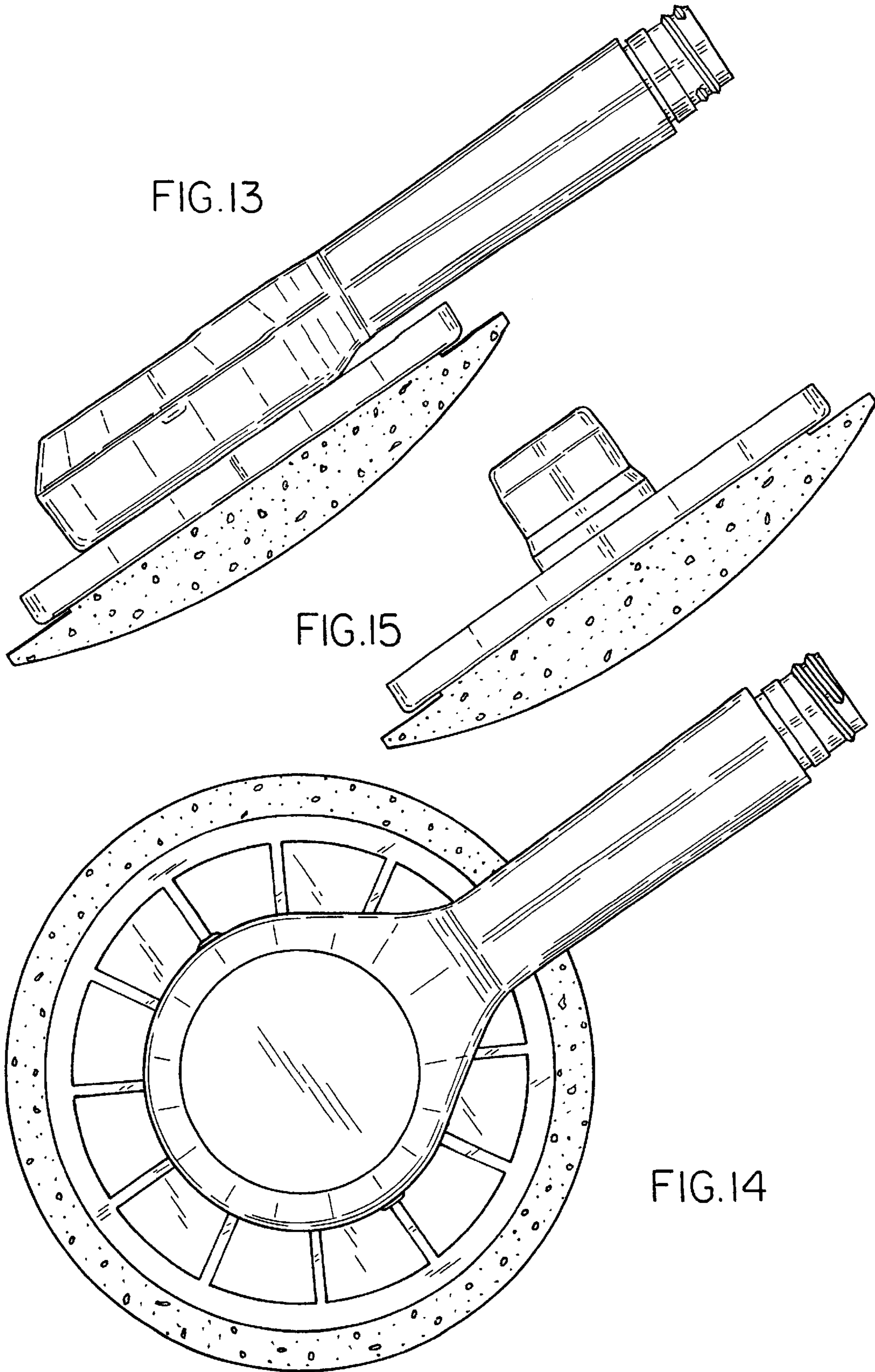


FIG. 12



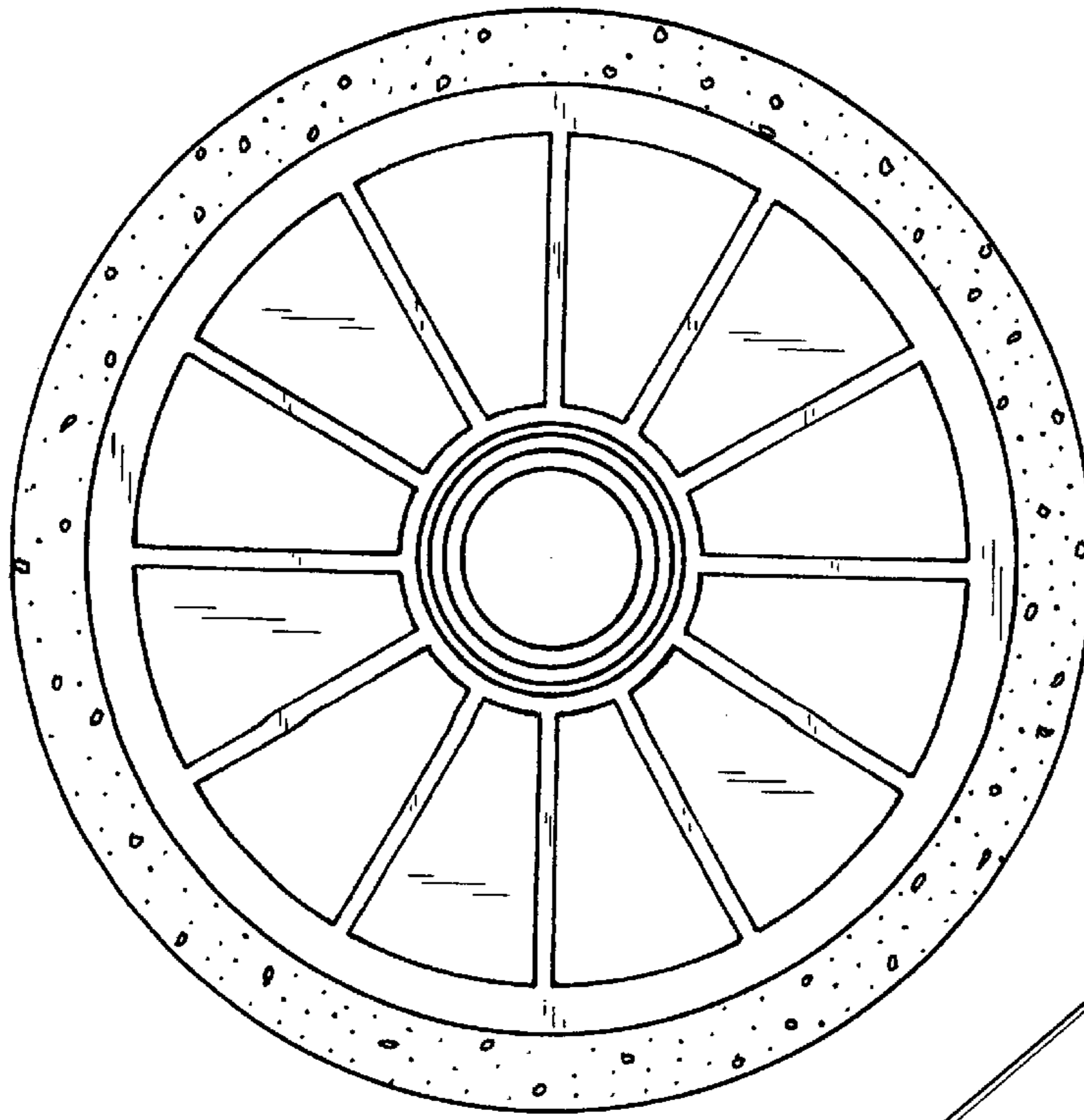


FIG. 16

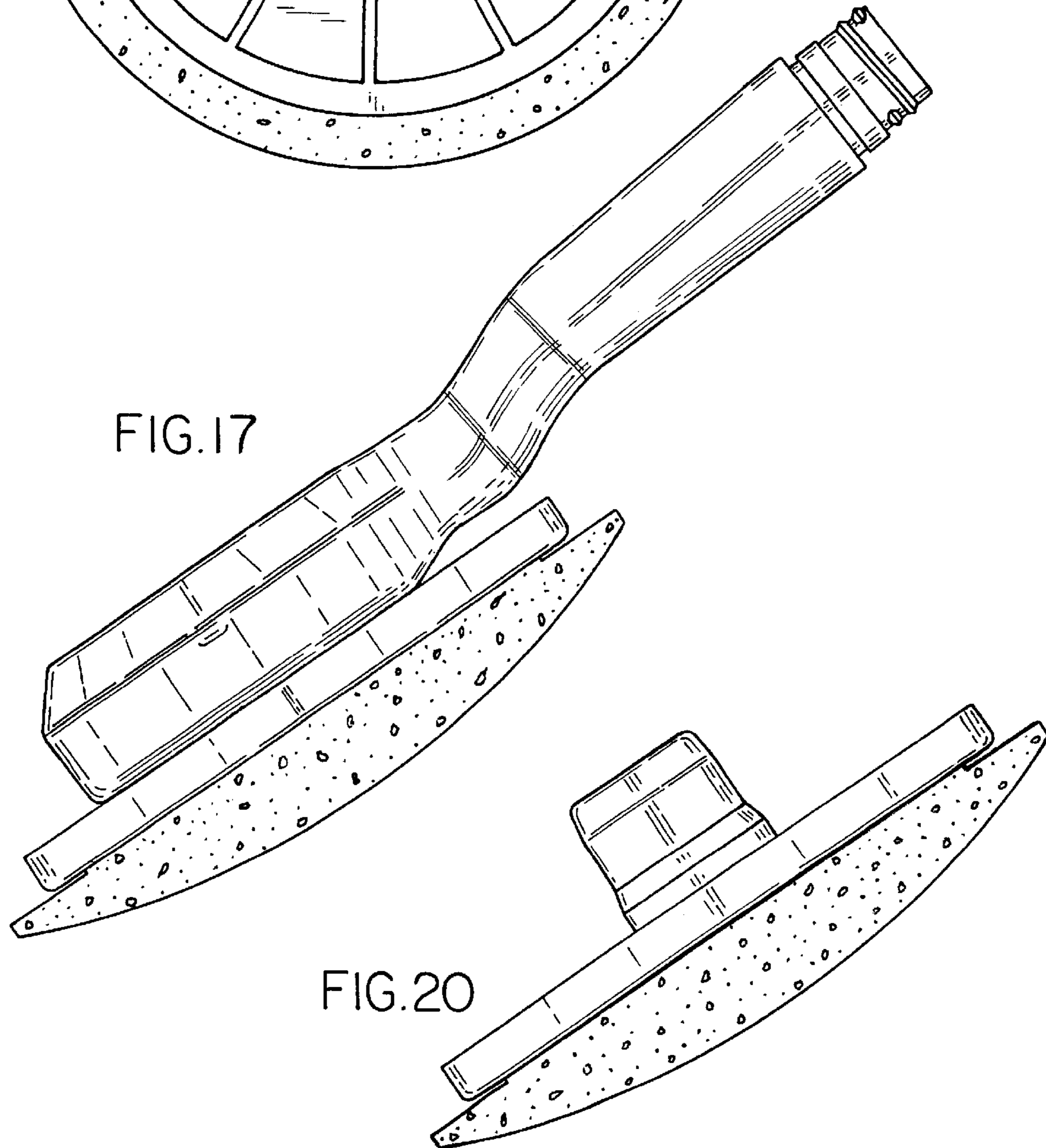


FIG. 17

FIG. 20

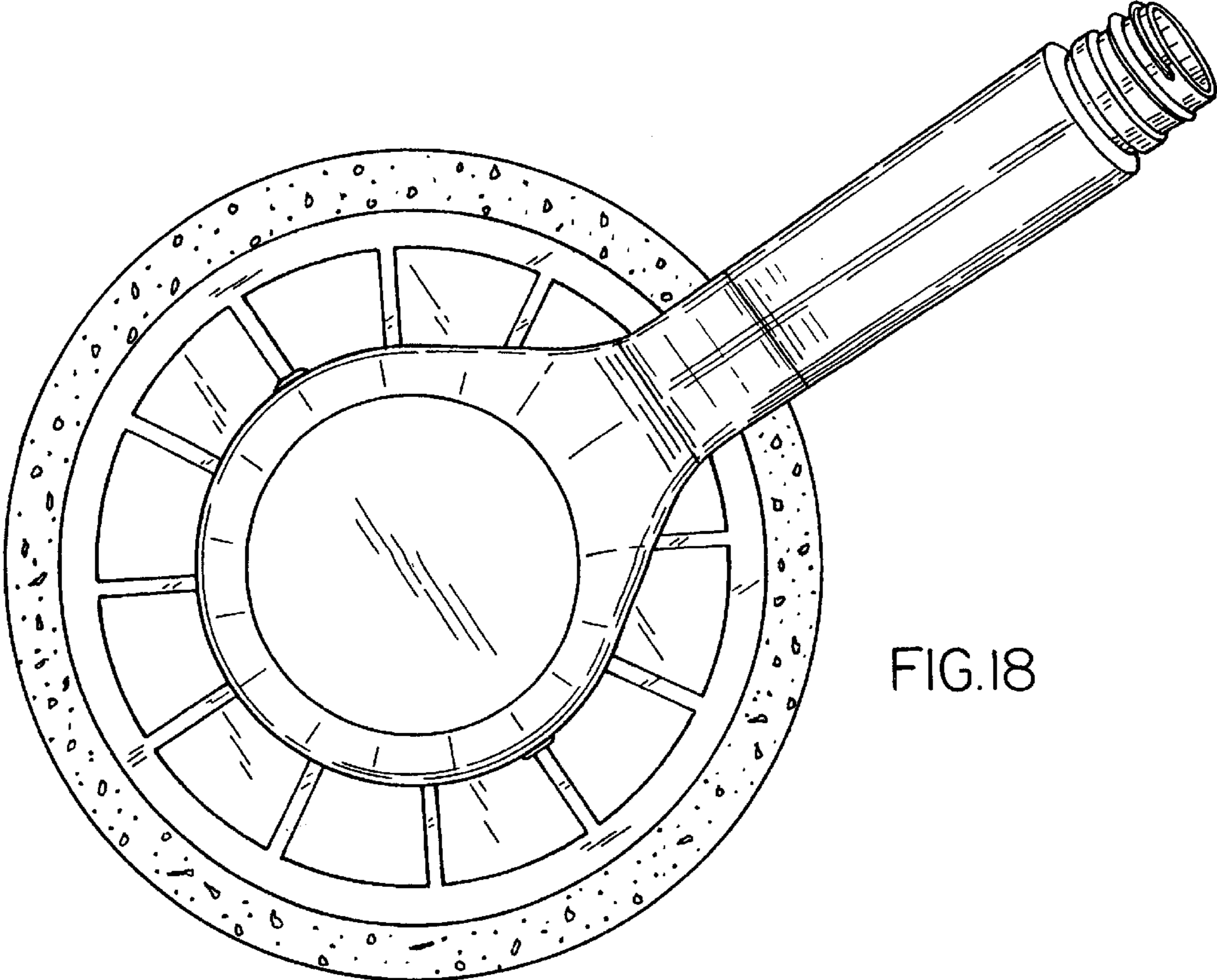


FIG. 18

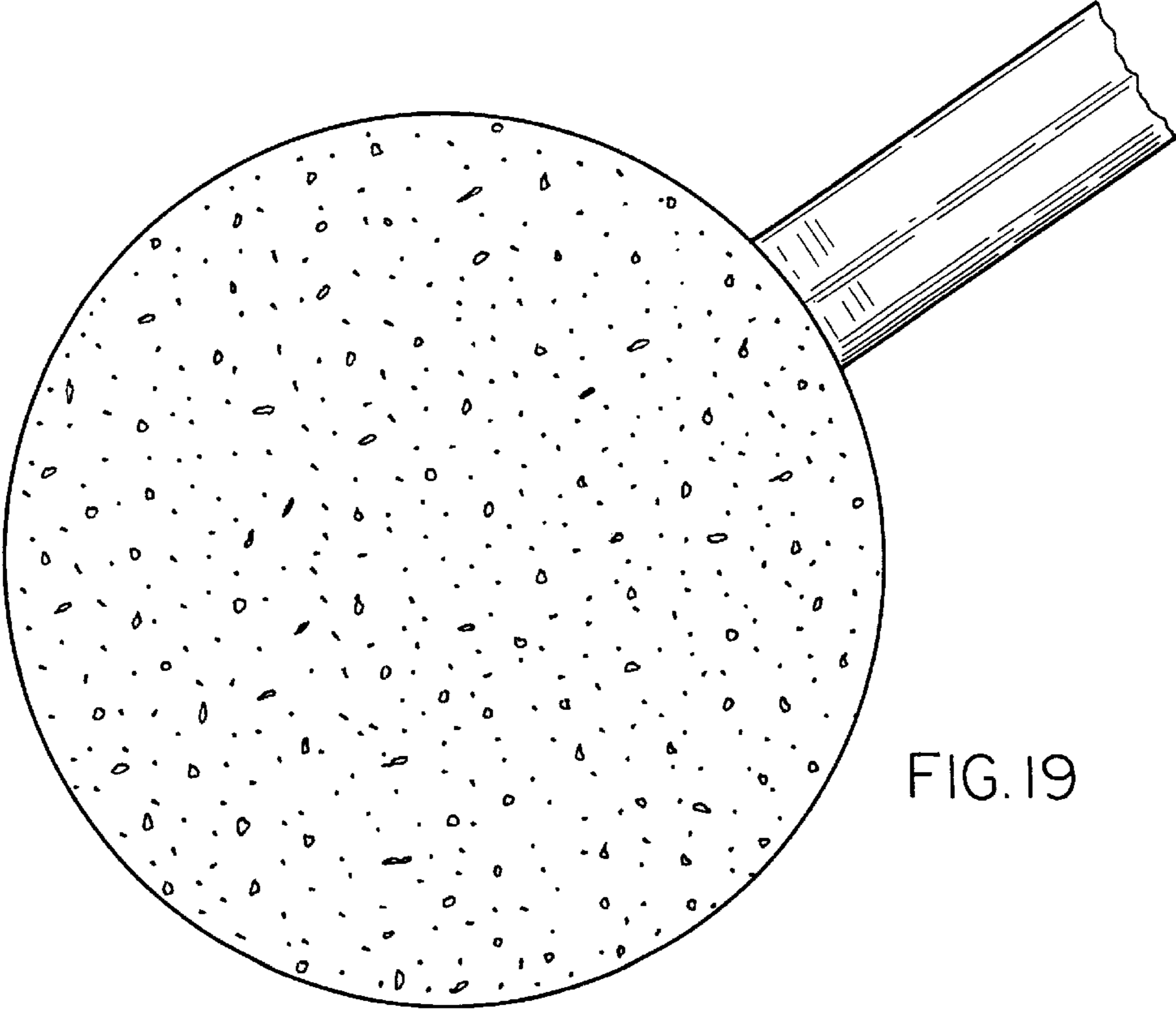


FIG. 19

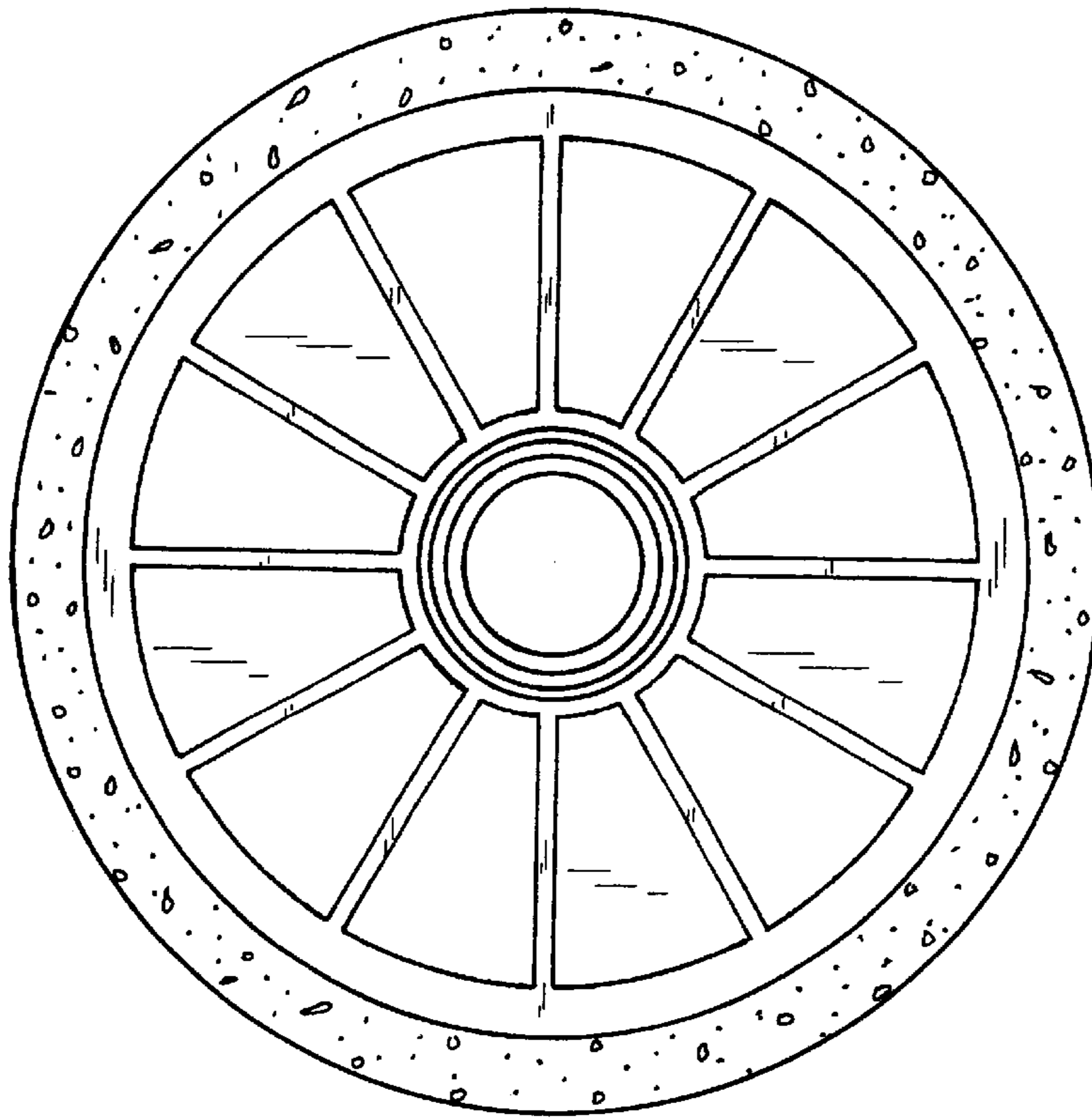


FIG. 21

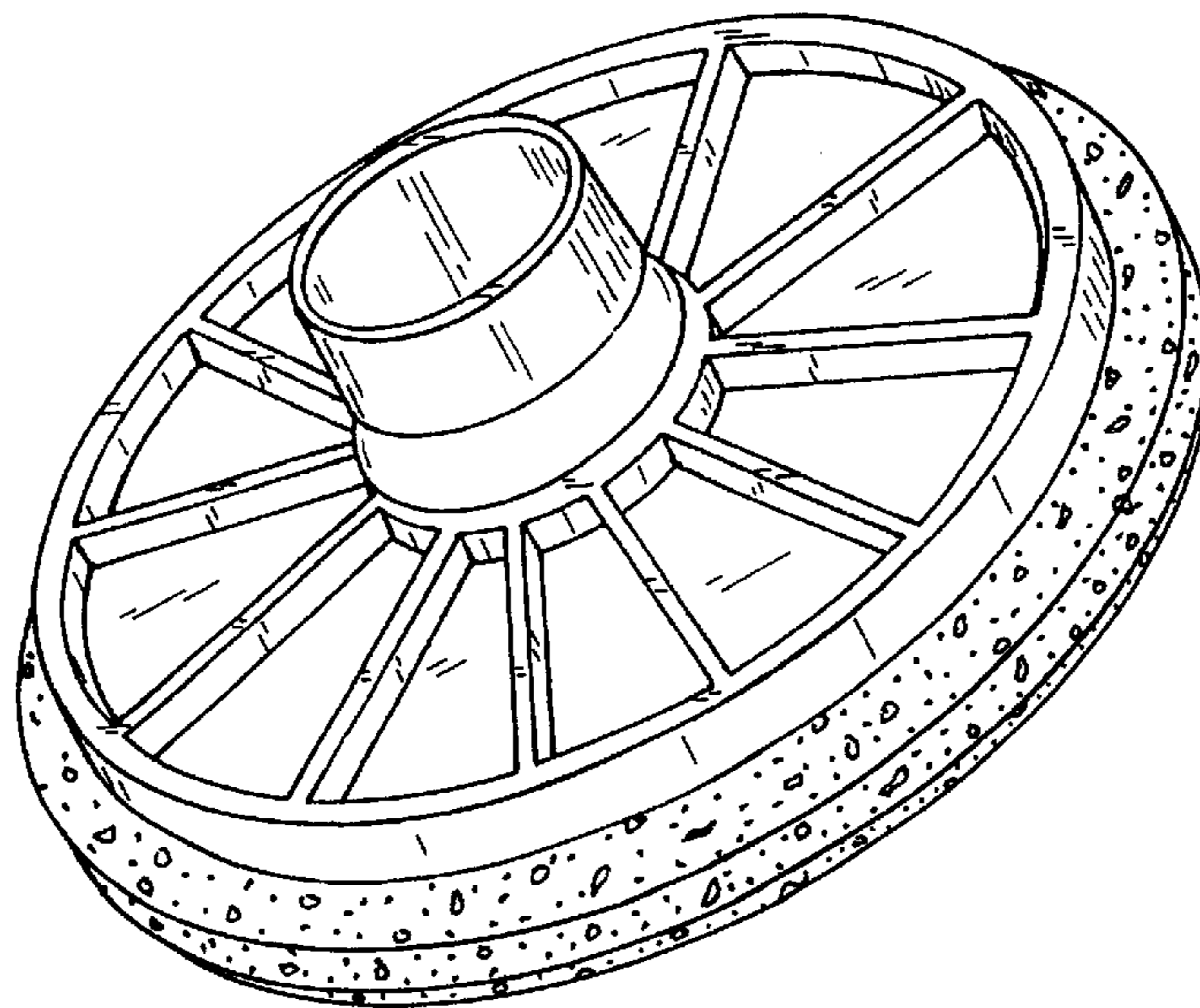


FIG. 22