



US00D512793S

(12) **United States Design Patent**
De'Armond

(10) **Patent No.:** **US D512,793 S**
(45) **Date of Patent:** **** Dec. 13, 2005**

(54) **LAMP SUPPORT ARM**

(75) Inventor: **Robert De'Armond**, Temecula, CA (US)

(73) Assignee: **Minka Lighting, Inc.**, Corona, CA (US)

(**) Term: **14 Years**

(21) Appl. No.: **29/217,210**

(22) Filed: **Nov. 15, 2004**

(51) **LOC (6) Cl.** **26-99**

(52) **U.S. Cl.** **D26/155**

(58) **Field of Search** D26/24, 67, 71,
D26/72, 85-92, 142, 145, 149, 152, 154,
155, 118, 128-137; 362/147, 404-408,
432, 455, 457

(56) **References Cited**

U.S. PATENT DOCUMENTS

D54,712 S	*	3/1920	Weber	D26/92
D78,607 S	*	5/1929	Bohl	D26/145
D367,724 S	*	3/1996	Porter	D26/87
D405,916 S	*	2/1999	Miranda	D26/145
D442,319 S	*	5/2001	Hsu	D26/87

OTHER PUBLICATIONS

U.S. Appl. No. 29/217,283, Robert De'Armond.
U.S. Appl. No. 29/217,282, Robert De'Armond.
The Great Outdoors 2004 catalog by Minka-Lavery; Minka Lighting, Inc., U.S.A.; Jan. 2004; Segovia Model; 1 Page.
* cited by examiner

Primary Examiner—Clare E Heflin
(74) *Attorney, Agent, or Firm*—Baker & McKenzie LLP

(57) **CLAIM**

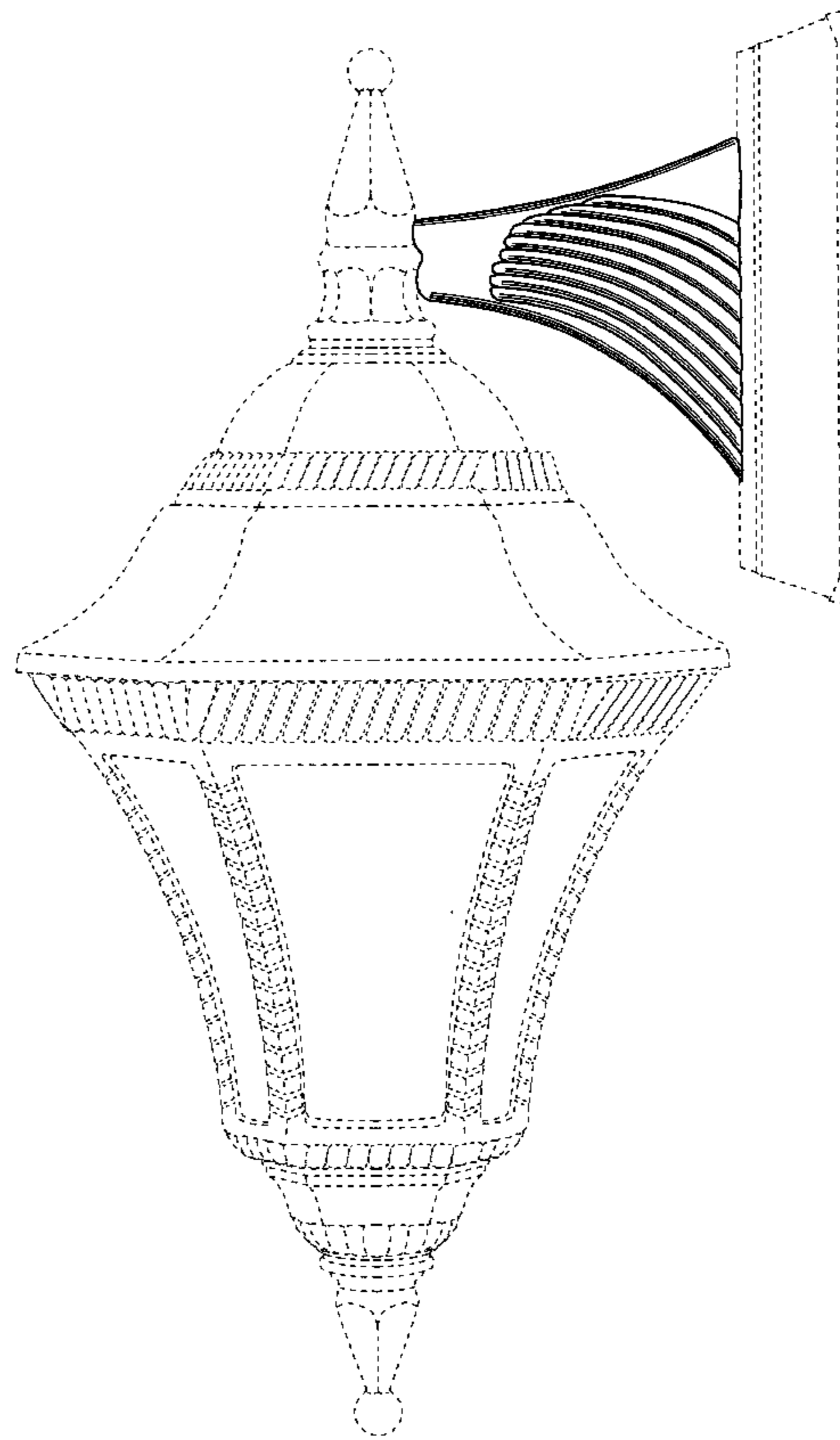
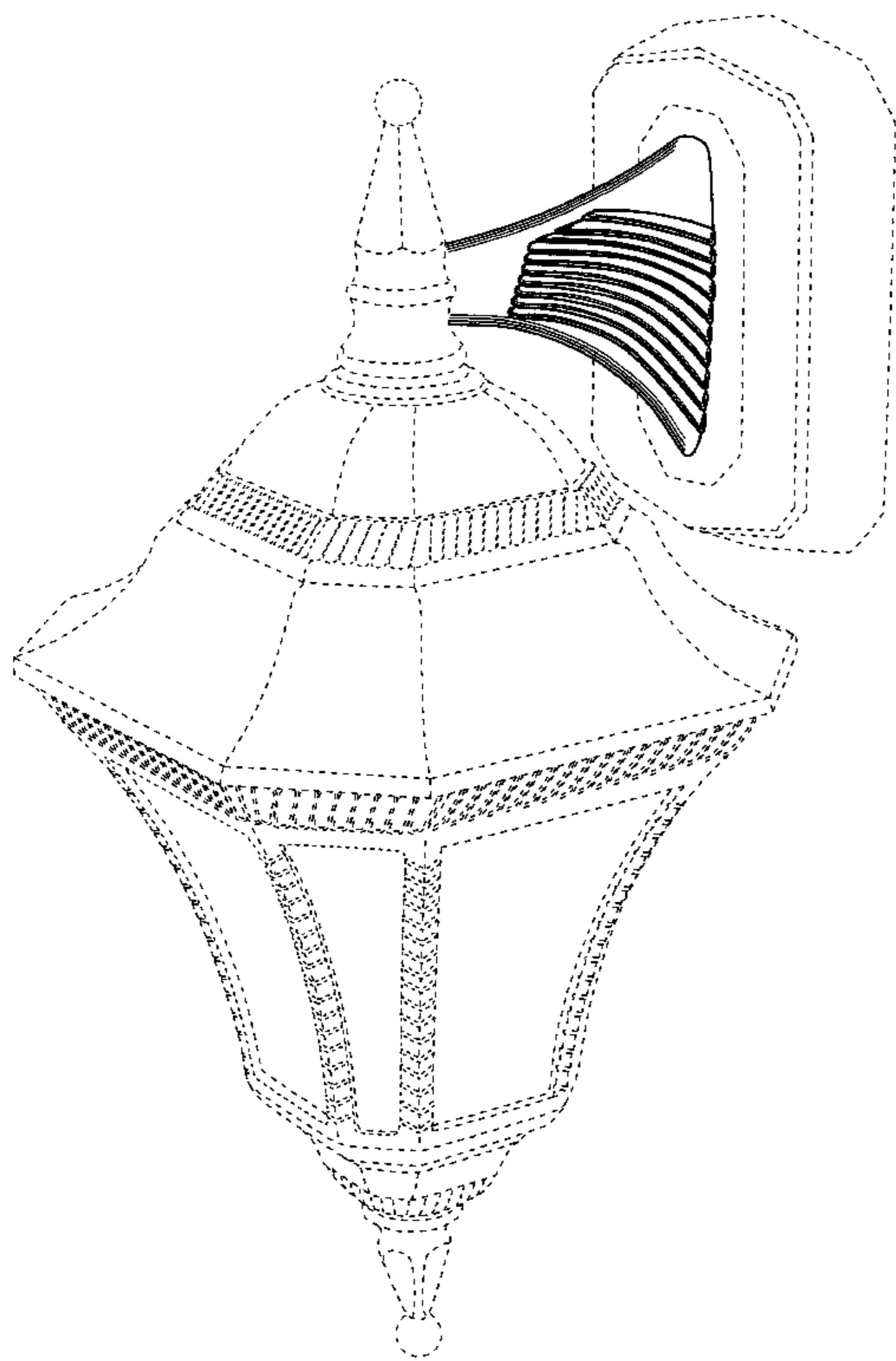
The ornamental design for a lamp support arm, as shown and described.

DESCRIPTION

FIG. 1 is a perspective view from above of a lamp support arm in accordance with my design;
FIG. 2 is a perspective view from below of a lamp support arm in accordance with my design;
FIG. 3 is a side elevation view of the lamp support arm in accordance with my design; and,
FIG. 4 is a top plan view of the lamp support arm in accordance with my design.

The broken lines showing environmental structure are for illustrative purposes and form no part of the claimed design.

1 Claim, 4 Drawing Sheets



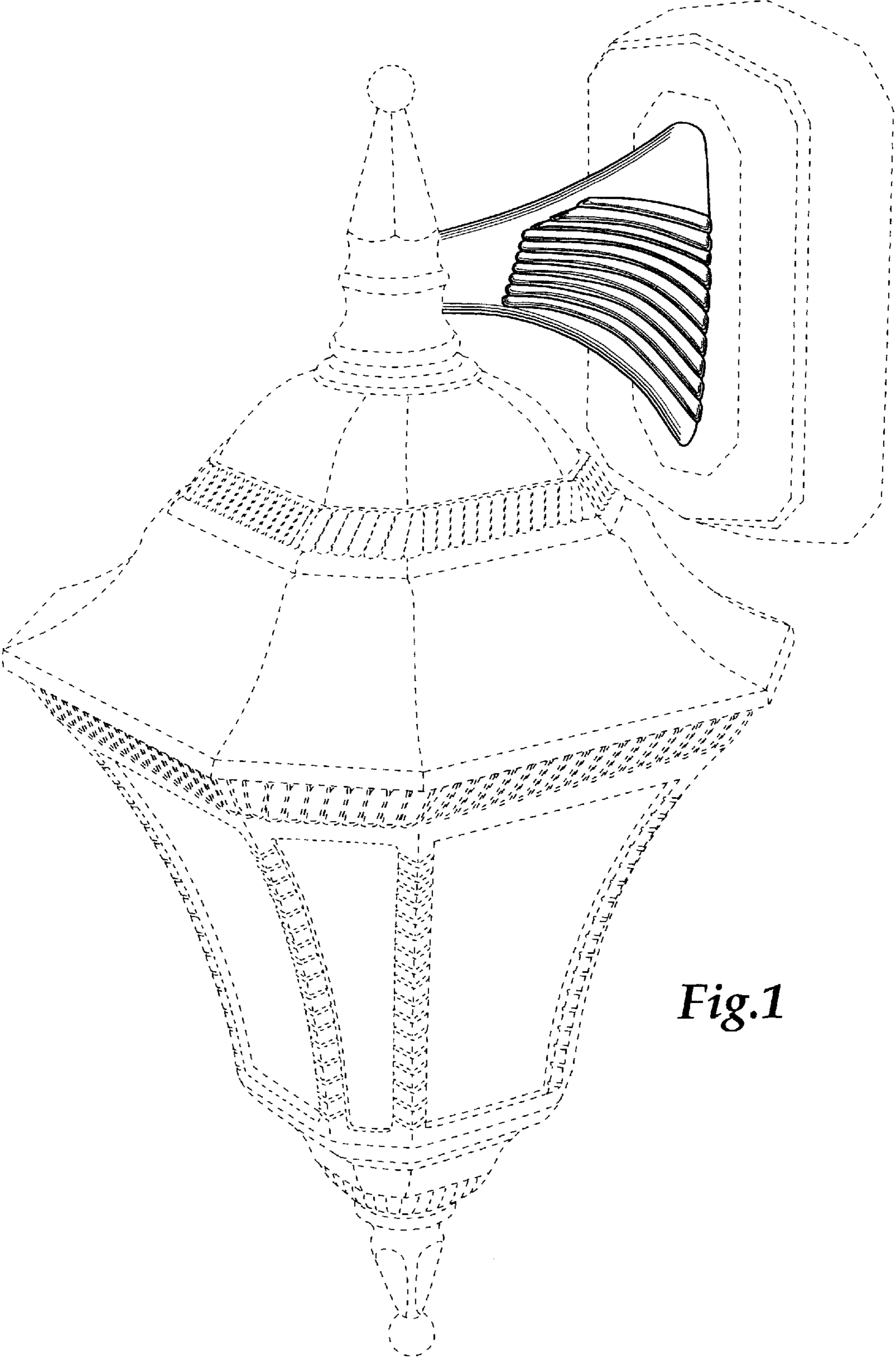


Fig.1

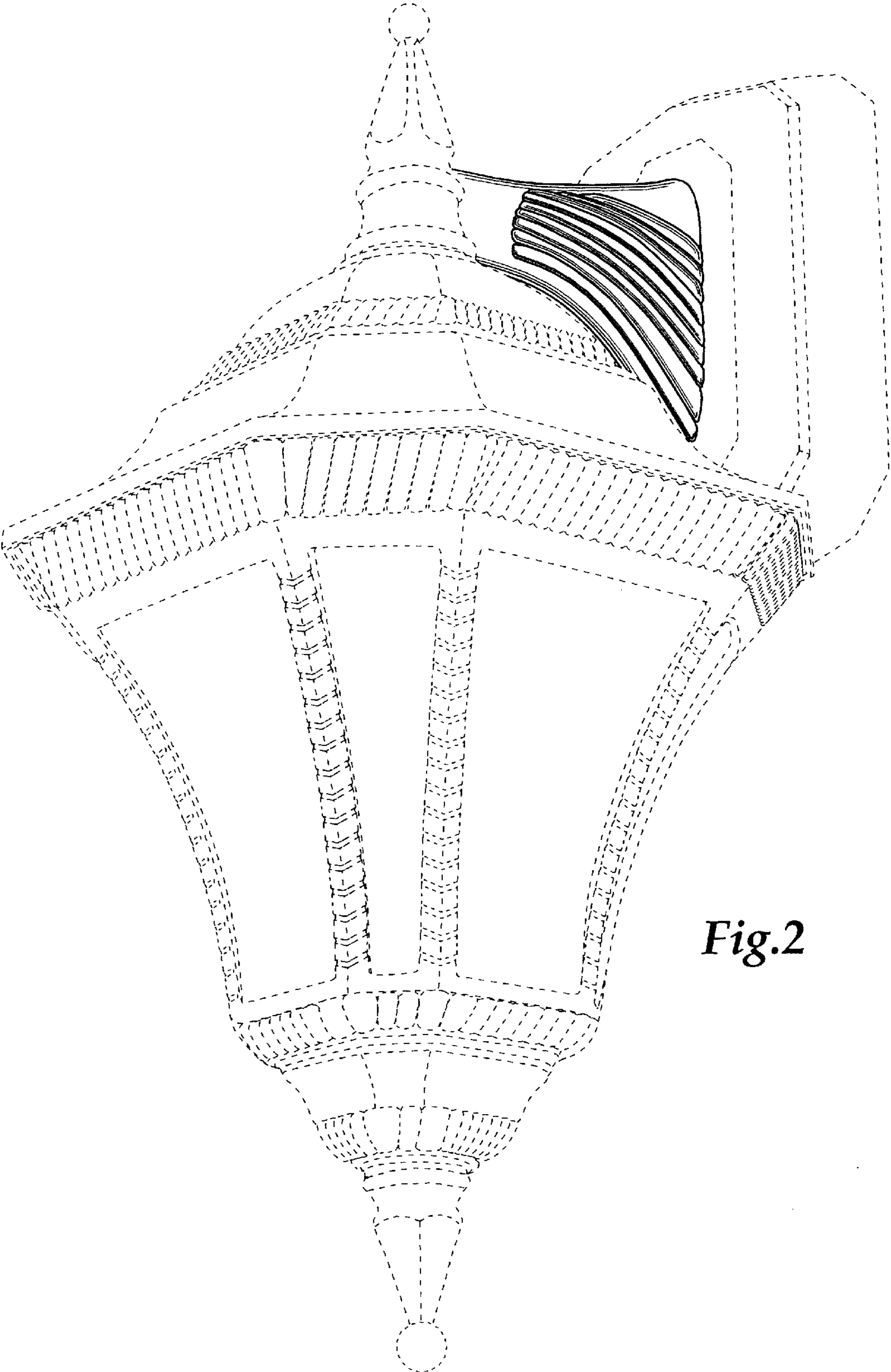


Fig.2

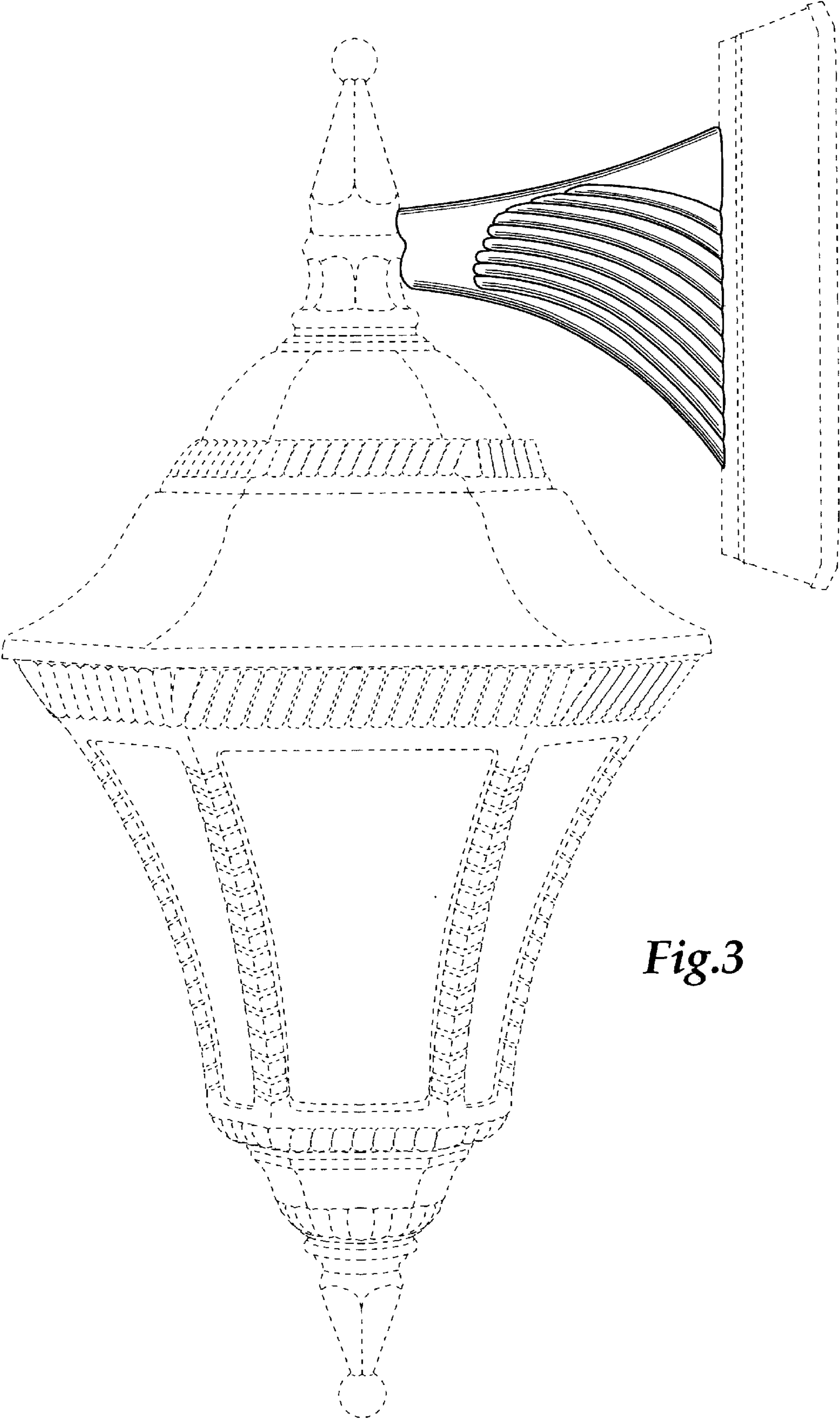


Fig.3

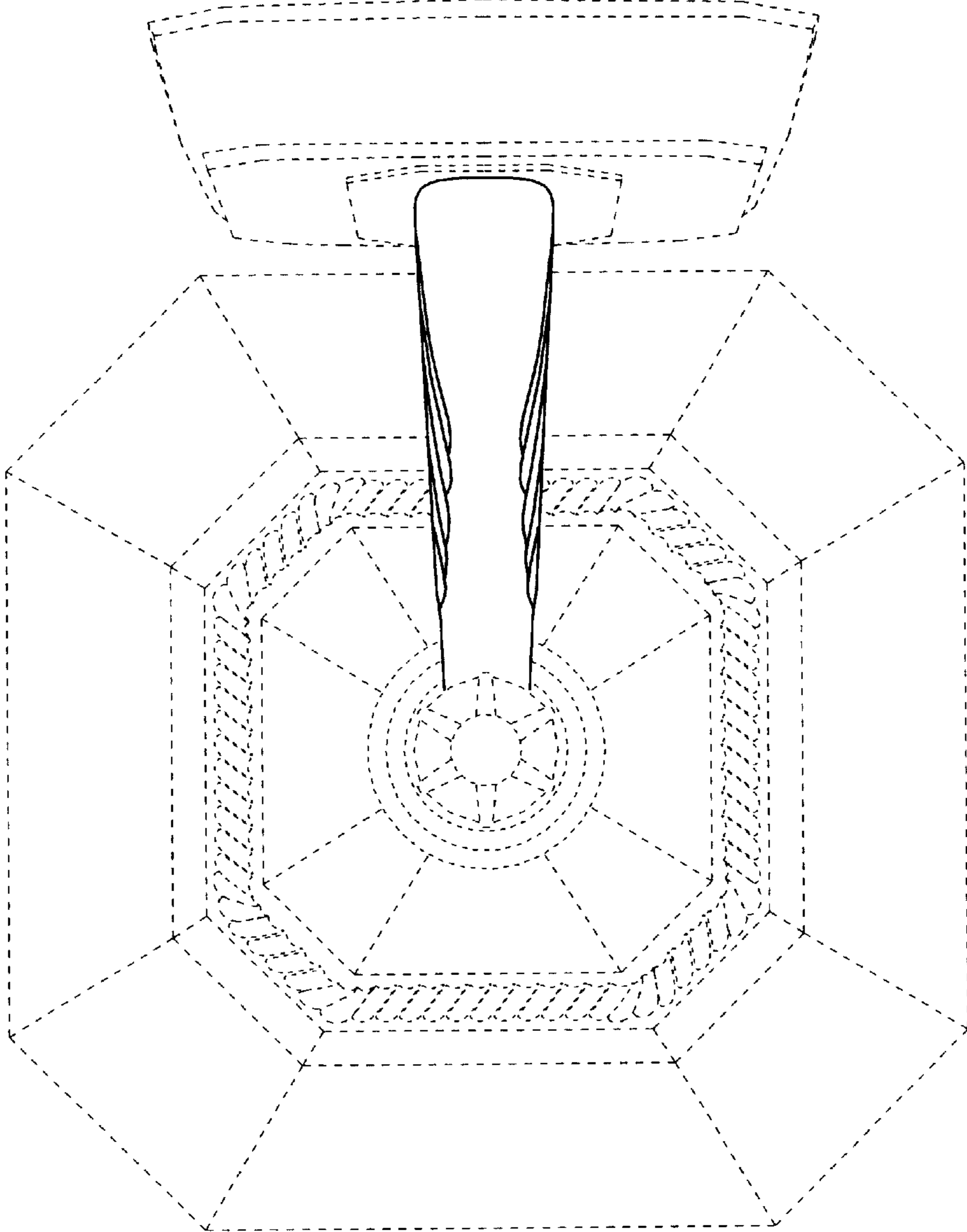


Fig.4