



US00D512789S

(12) **United States Design Patent**  
**Foo**

(10) **Patent No.:** **US D512,789 S**  
(45) **Date of Patent:** **\*\* Dec. 13, 2005**

(54) **FLUORESCENT LAMP**  
(75) **Inventor:** **Onn Fah Foo, Kowloon (HK)**

D447,254 S \* 8/2001 Takeuchi ..... D26/3  
D447,823 S \* 9/2001 Choi ..... D26/3  
D464,154 S \* 10/2002 Xu ..... D26/3

(73) **Assignee:** **Mass Technology (H.K.) Limited,**  
**Kowloon (HK)**

\* cited by examiner

(\*\*) **Term:** **14 Years**

*Primary Examiner*—Marcus A. Jackson  
(74) *Attorney, Agent, or Firm*—Rabin & Berdo, P.C.

(21) **Appl. No.:** **29/216,832**

(57) **CLAIM**

(22) **Filed:** **Nov. 10, 2004**

The ornamental design for fluorescent lamp, as shown and described.

(30) **Foreign Application Priority Data**

Sep. 14, 2004 (HK) ..... 0412080.6M001

**DESCRIPTION**

(51) **LOC (6) Cl.** ..... **26-04**

FIG. 1 is a front view of fluorescent lamp showing my new design;

(52) **U.S. Cl.** ..... **D26/3**

FIG. 2 is a rear view thereof;

(58) **Field of Search** ..... D26/1-4; 313/313,  
313/315, 317, 318, 493, 567, 569; 315/56,  
57, 58, 73

FIG. 3 is a left side view thereof;

FIG. 4 is a right side view thereof;

FIG. 5 is a top view thereof; and,

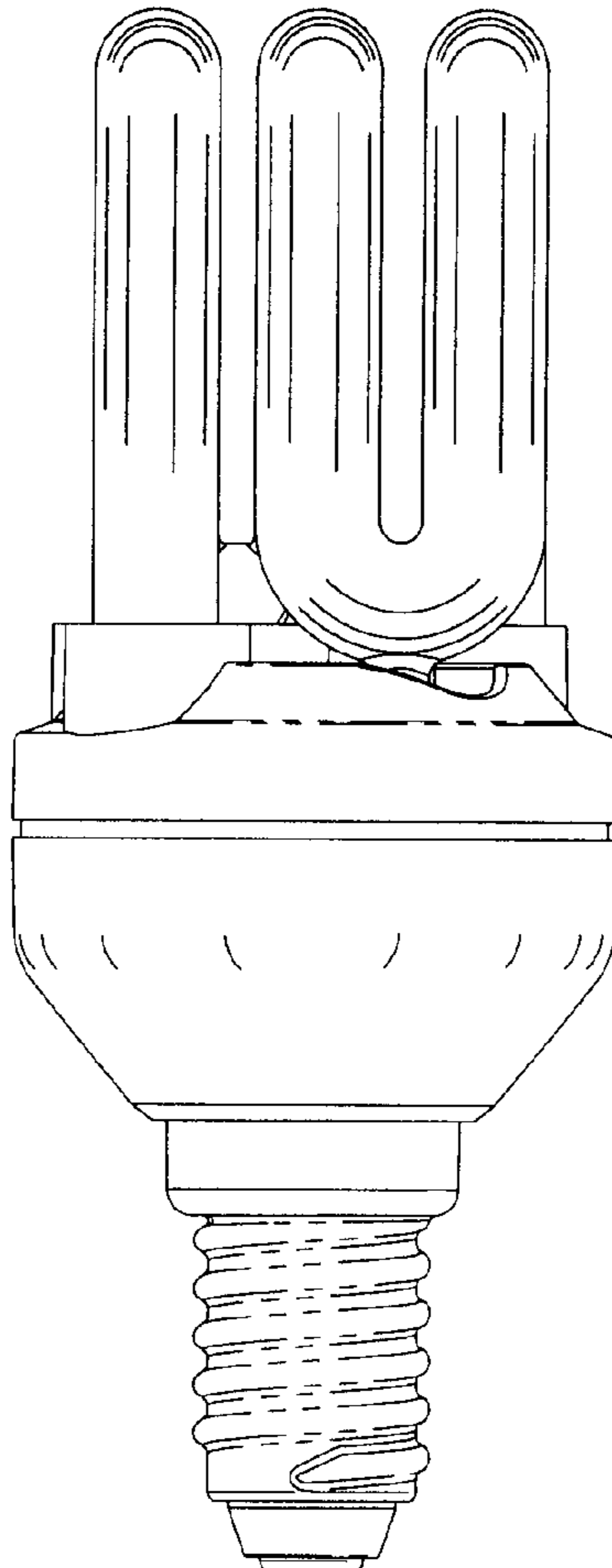
FIG. 6 is a bottom view thereof.

(56) **References Cited**

**U.S. PATENT DOCUMENTS**

D430,318 S \* 8/2000 Choi ..... D26/3

**1 Claim, 3 Drawing Sheets**



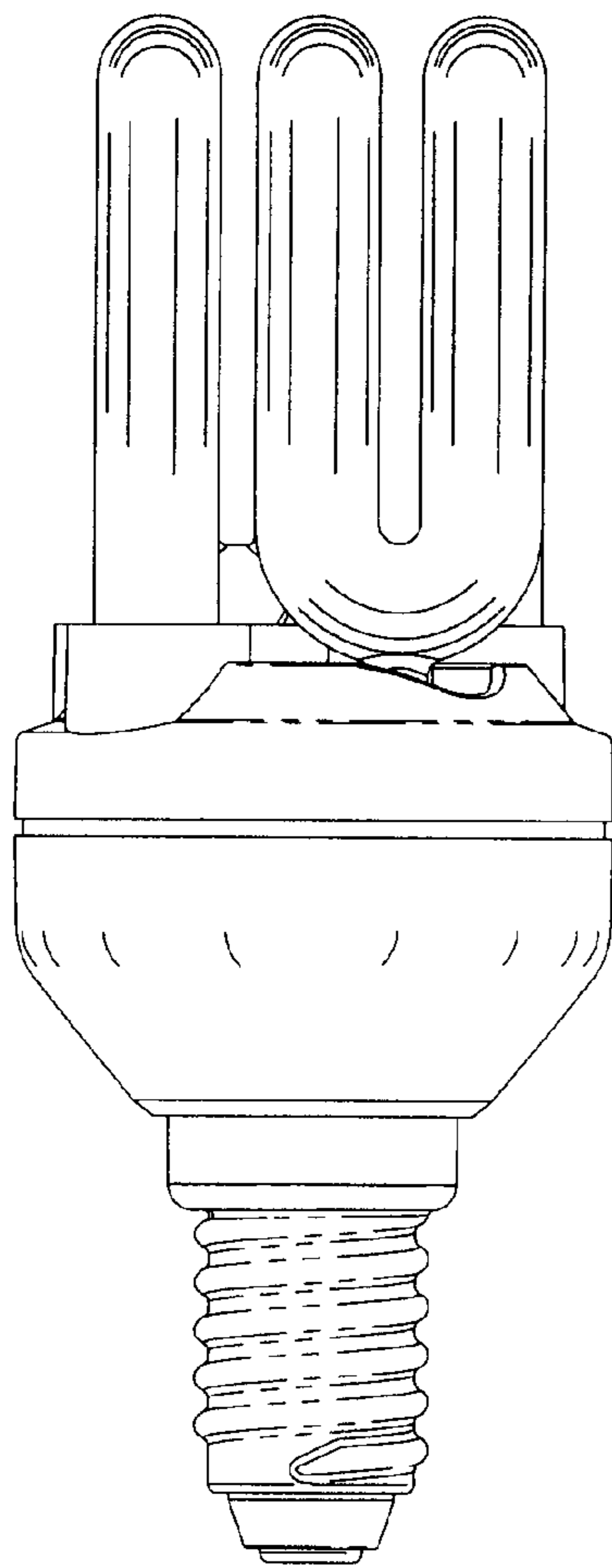


Fig. 1

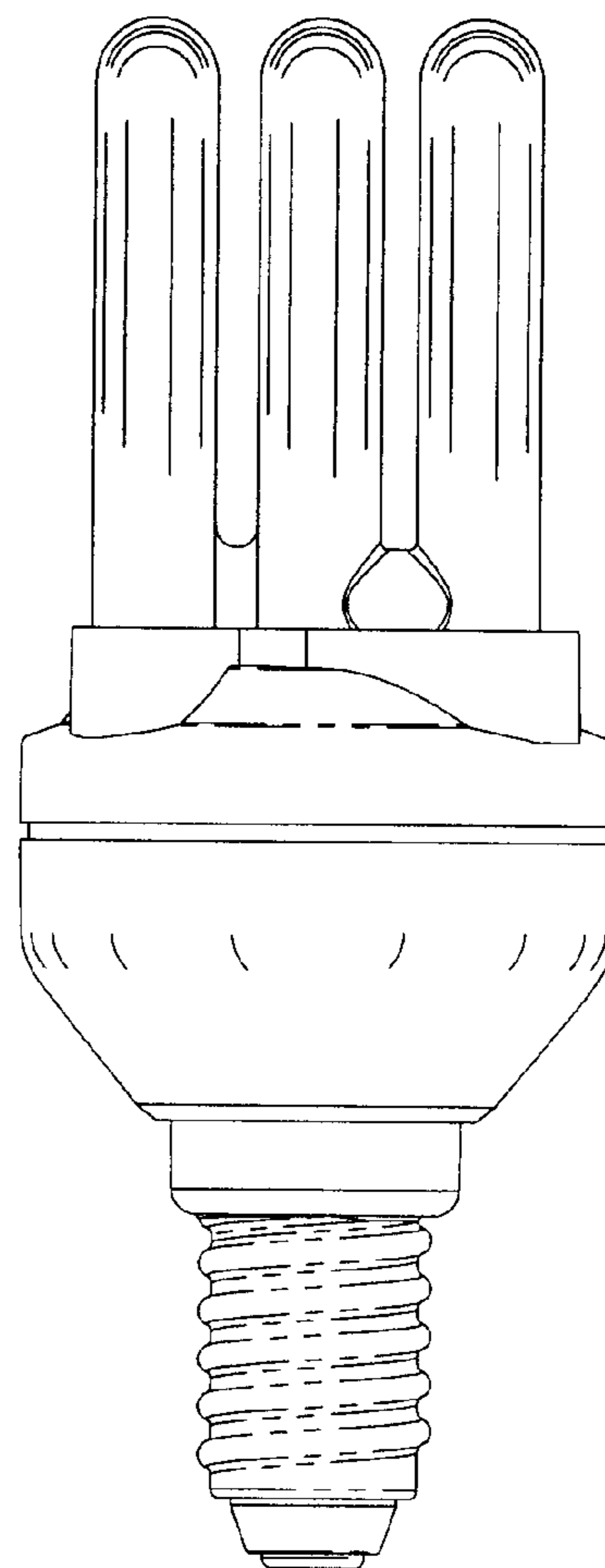


Fig. 2

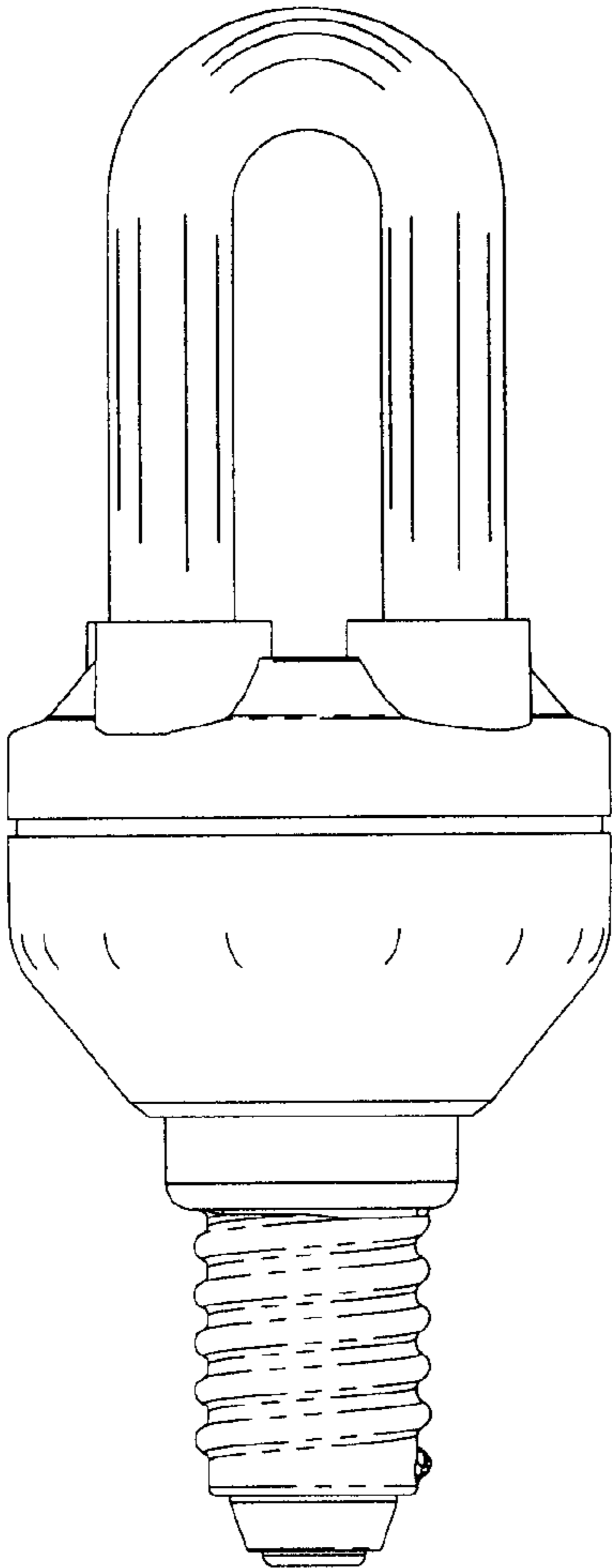


Fig. 3

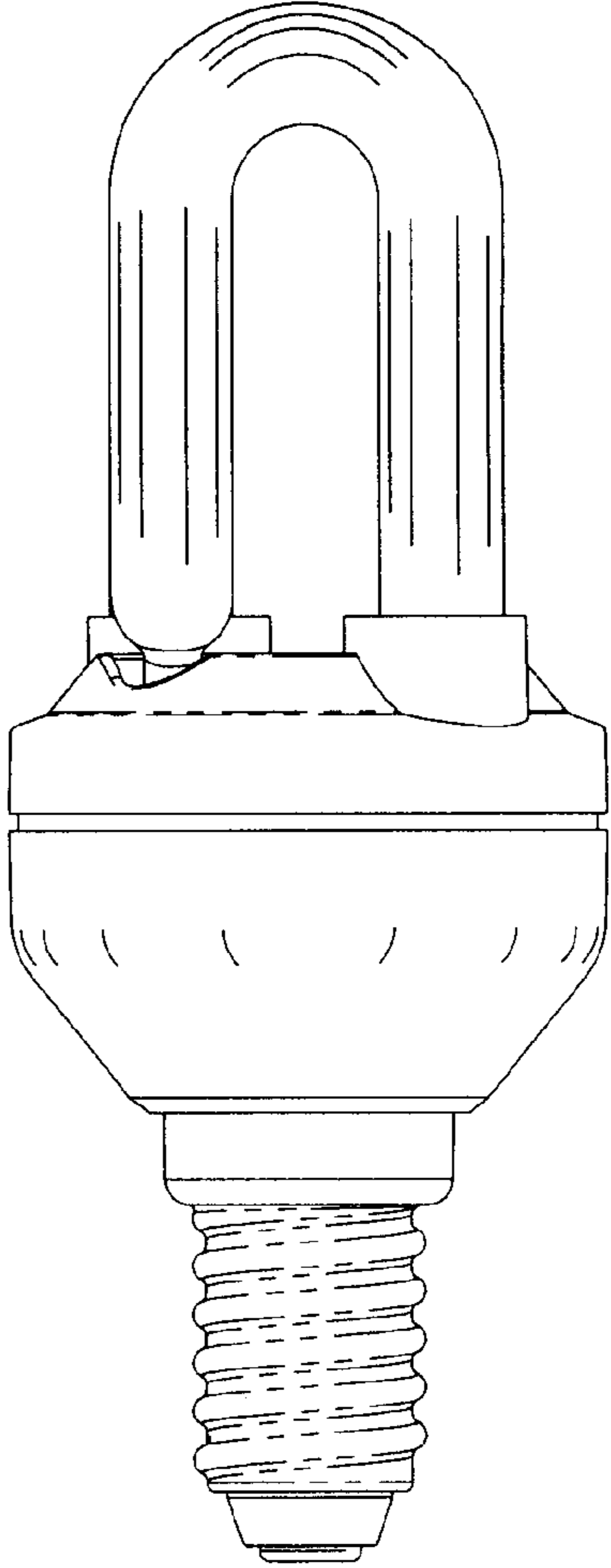
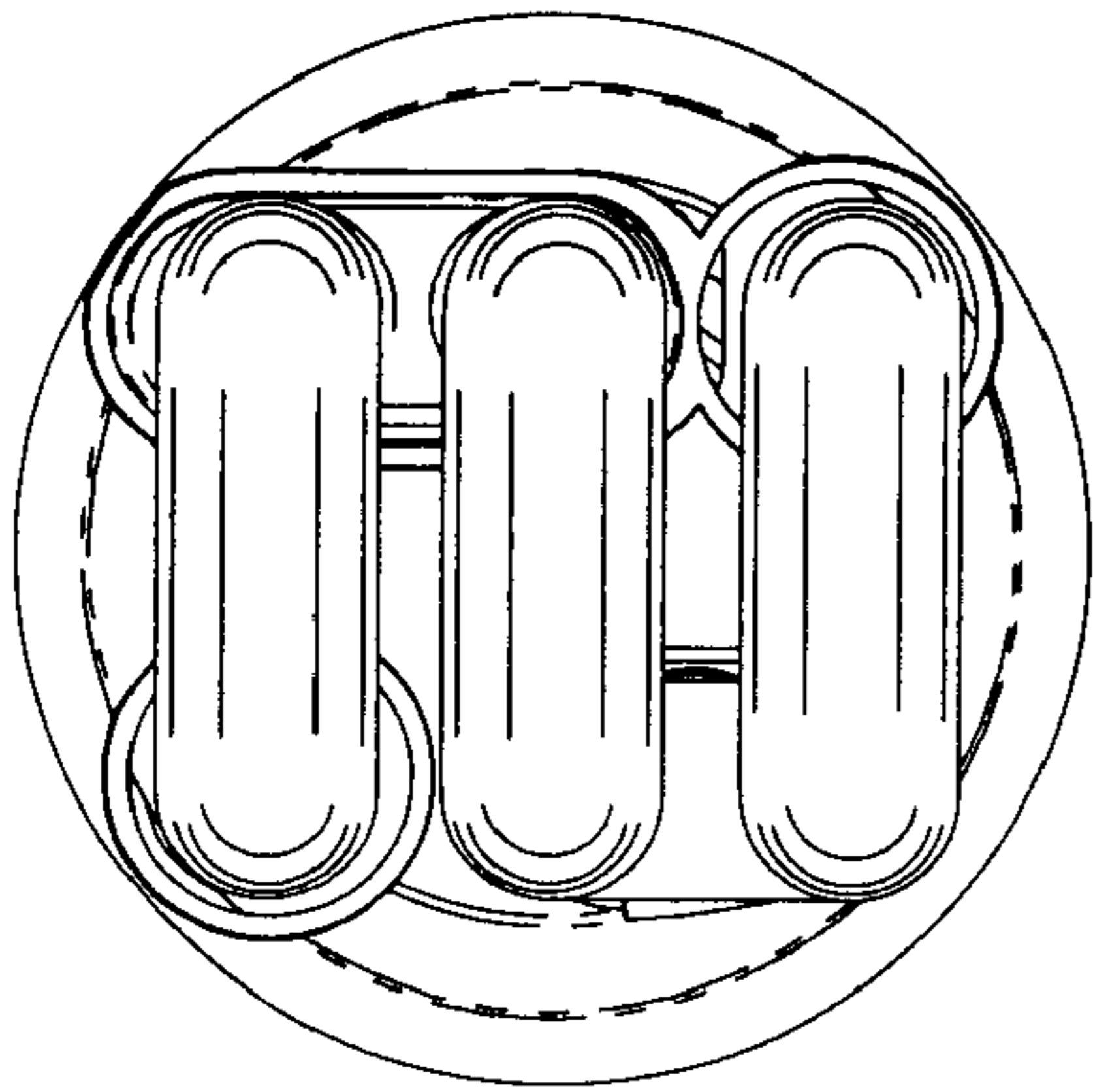
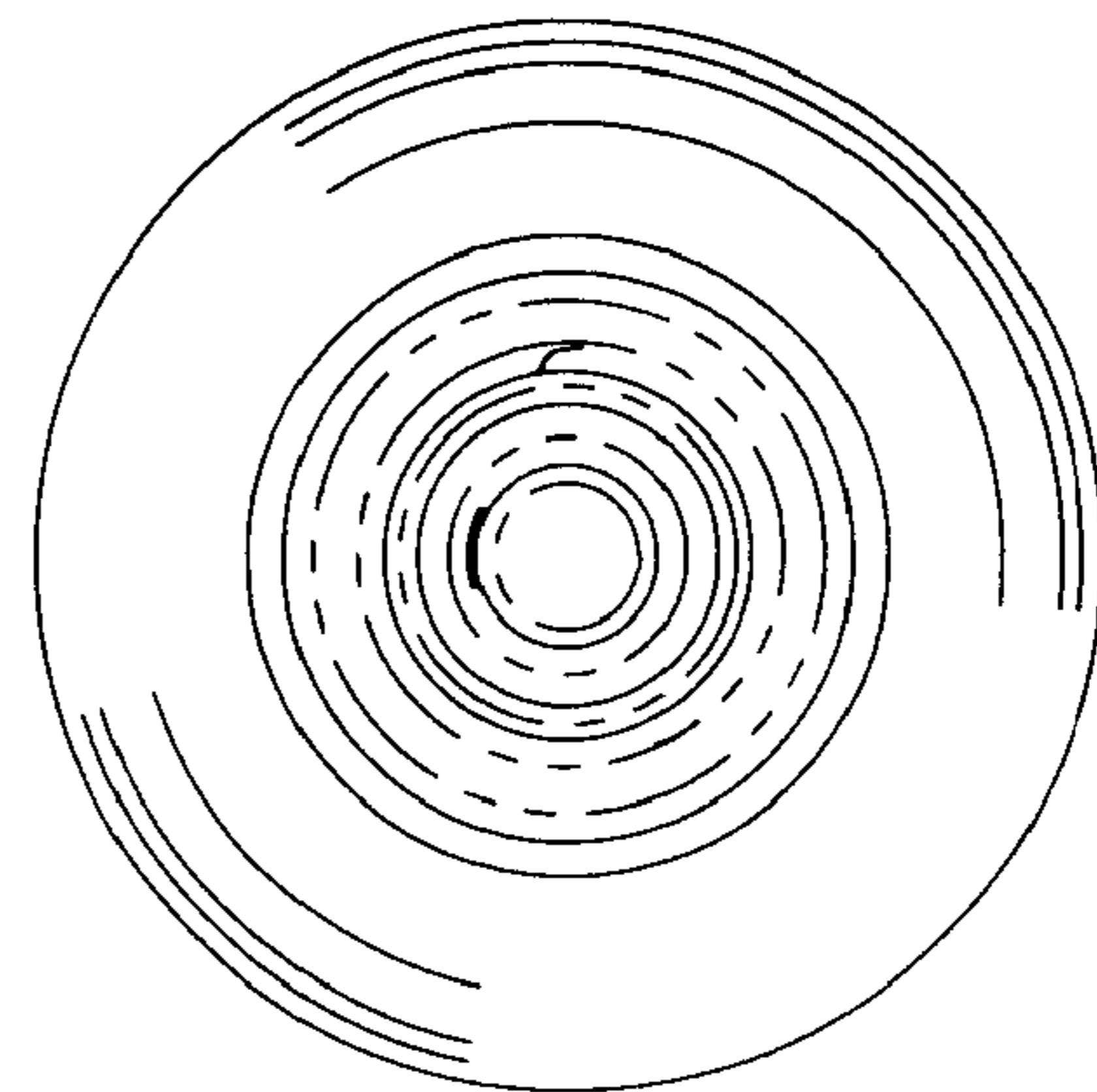


Fig. 4



**Fig. 5**



**Fig. 6**